



ESCORTS

ESCORTS CONSTRUCTION EQUIPMENT

HYDRA-14-4P&2P

PARTS CATALOGUE



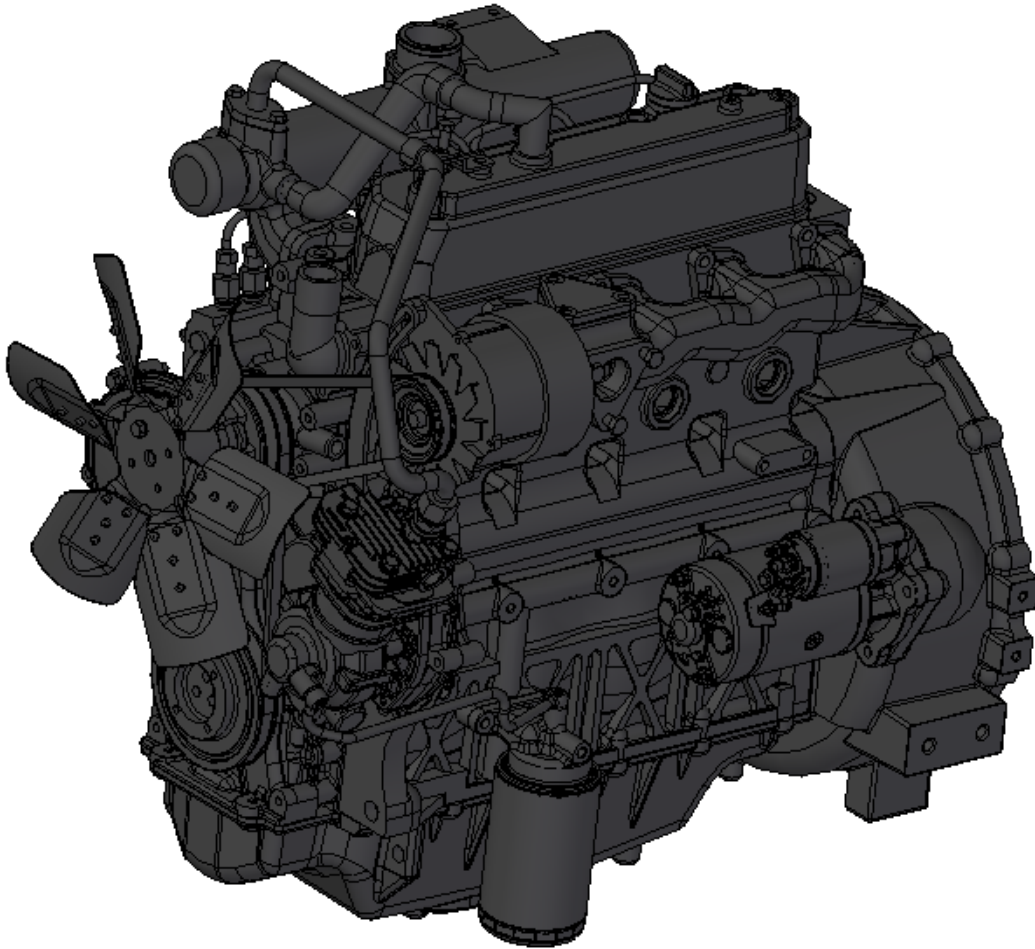
Document No. :

Issue No. :

Issued on :

ESCORTS ENGINE

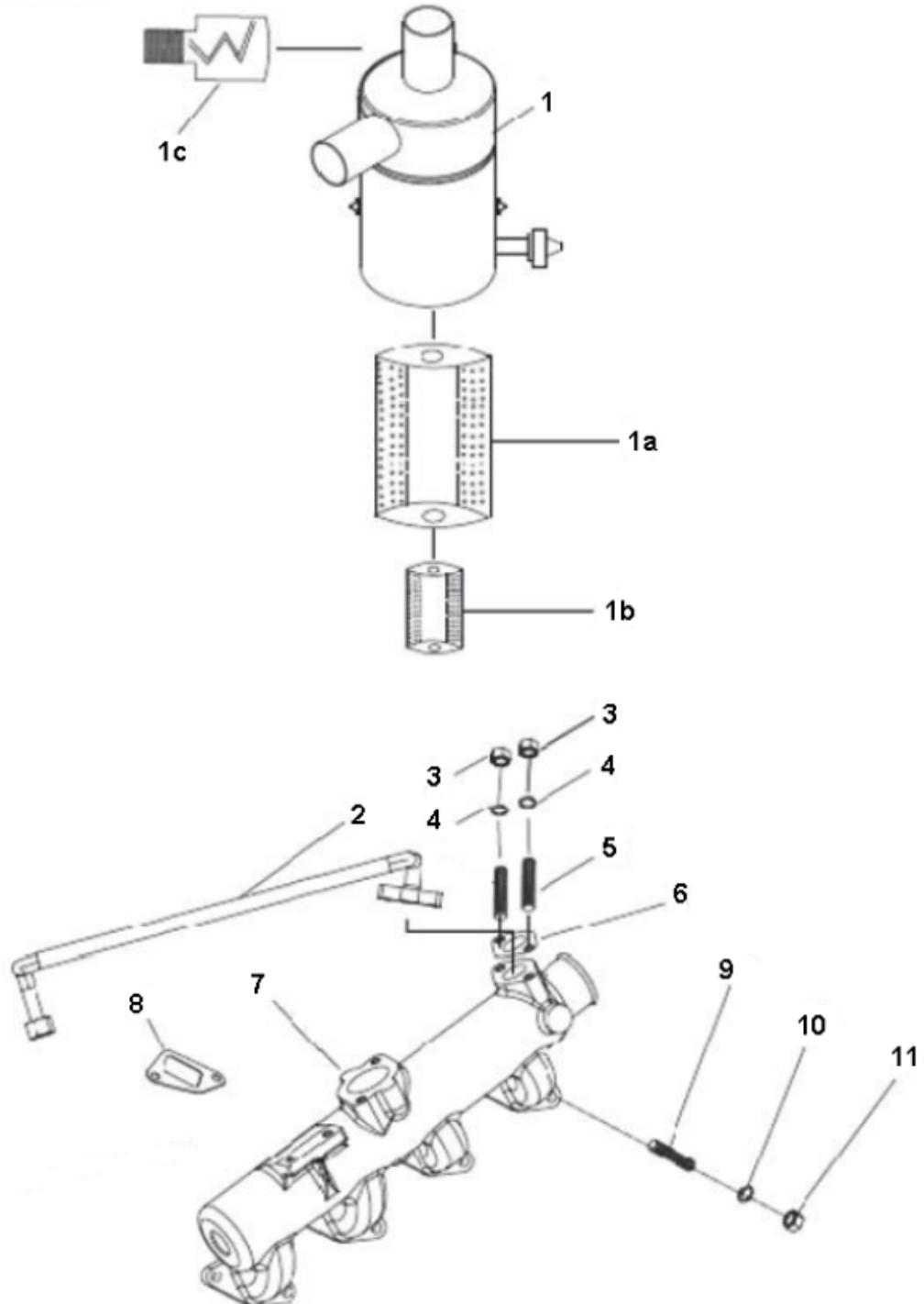
ESCORTS ENGINE



HYDRA-14-4P-2P

ENGINE		Escorts Engine		
S No	Part No	Description	Qty	Remarks
	C7201965	ESCORTS ENGINE	1	

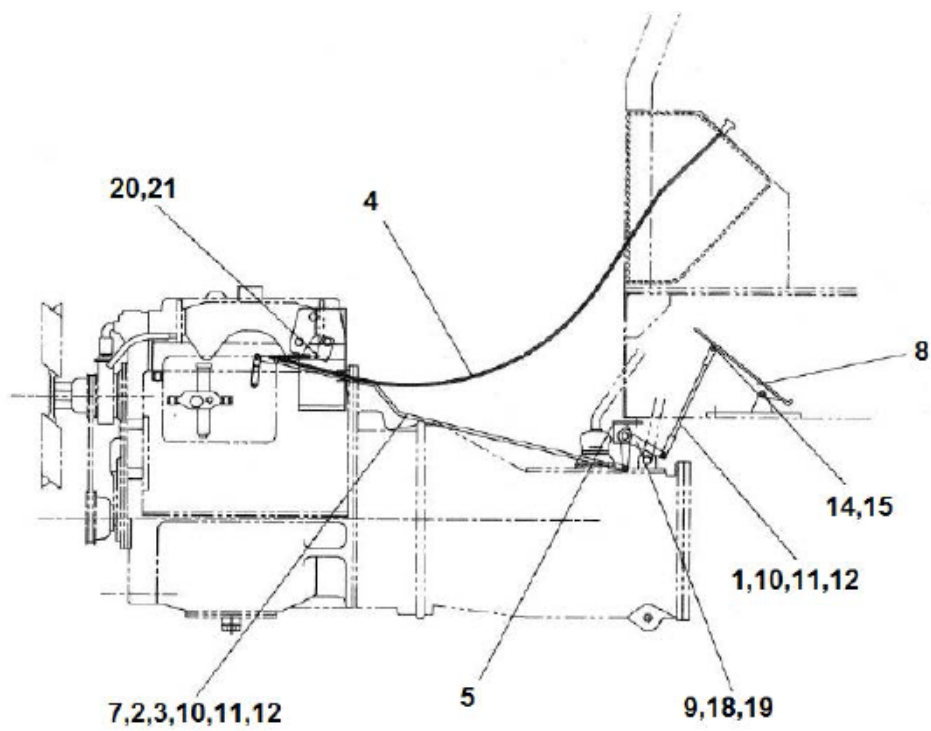
Air Cleaner And Intake Manifold



HYDRA-14-4P-2P

ENGINE		Air Cleaner And Intake Manifold		
S No	Part No	Description	Qty	Remarks
1	D10232980	CLEANER ASSEMBLY ENGINE AIR DRY TYPE	1	
1A	D10281140	FILTER PRIMARY CLEANER ASSEMBLY ENGINE AIR	1	
1B	D10281150	FILTER SECONDARY CLEANER ASSEMBLY ENGINE AIR	1	
1C		INDICATOR CLEANER ASSEMBLY ENGINE AIR	1	
2	D10212870	PIPE AIR INTAKE MANIFOLD	1	
3	D8350060	NUT M8X1.25-6 HEX	2	
4	D86500030	WASHER M8 SPRING LOCK	2	
5	D10039010	STUD- NOZZLE HOLDER (M8)	2	
6	D10178440	GASKET EGR VALVE	1	
7	D10213770	MANIFOLD ASSEMBLY ENGINE AIR INTAKE	1	
8	D10008670	GASKET ENGINE AIR INTAKE MANIFOLD	4	
9	D86500020	STUD M10X26-6.8	8	
10	D86500050	WASHER M10 SPRING LOCK	8	
11	D83500090	NUT M10X1.50-8 HEX	8	

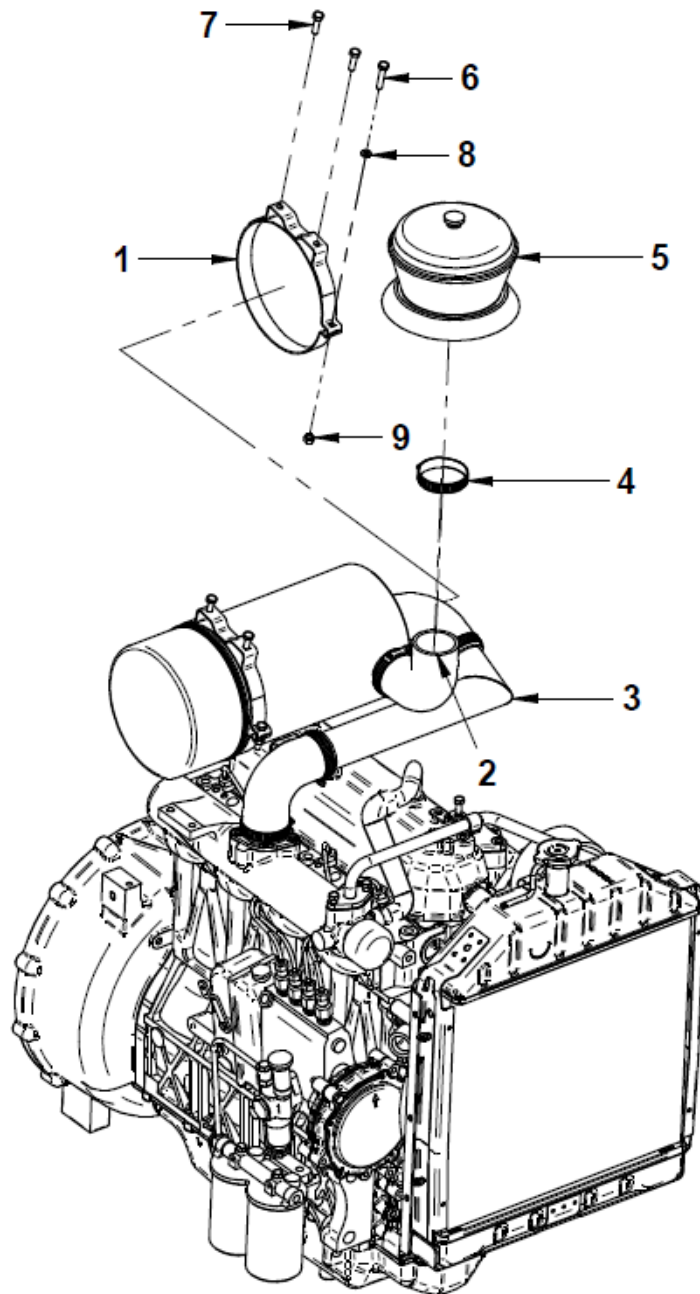
Accelerator System



HYDRA-14-4P-2P

ENGINE		Accelerator System		
S No	Part No	Description	Qty	Remarks
1	7203293	REAR ROD	A3	
2	V19.29.025.0A	FRONT ROD	A3	
3	V17.18.001.0A	FORK	A4	
4	V19.29.031.2	STOP CABLE	A4	
5	V.19.29.030.2	BKT [CROSS ROD MTG]	A4	
7	8N154214013	HEX NUT	-	
8	V19.29.027.0	ACCELERATOR PEDAL	-	
9	V19.29.028.1B	CROSS ROD	A2	
10	E15.29.01.0	PIN	A4	
11	8N158309403	PLAIN WASHER	-	
12	8N157713100	SPLIT PIN	-	
14	8N151535030	HEX BOLT	-	
15	8D586018000	NYULOCK NUT	-	
18	8N158327400	PLAIN WASHER	-	
19	8N157717700	SPLIT PIN	-	
20	8M893005000	SPRING	-	
21	V19.29.022.0	ACCELERATOR STRIP	A4	

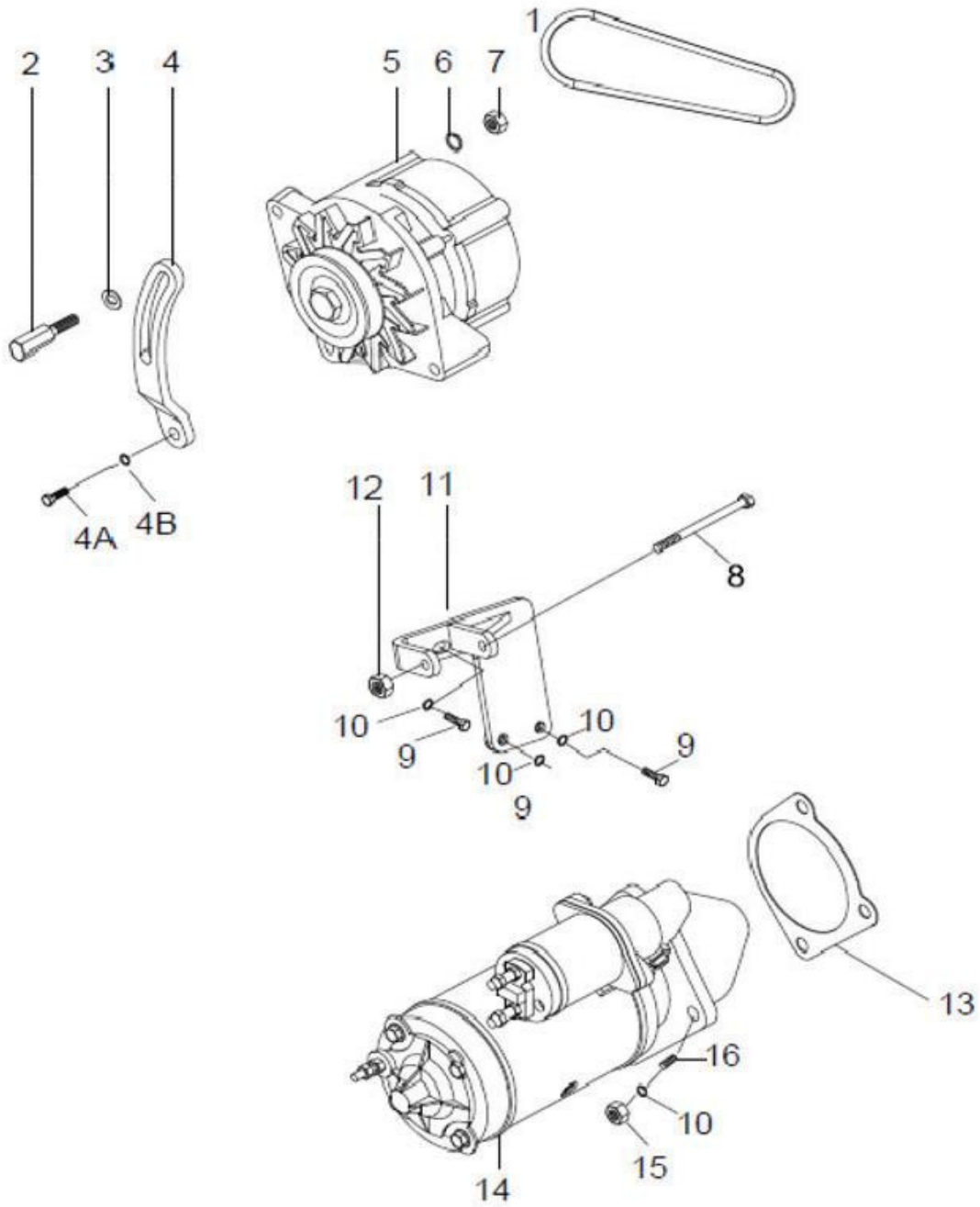
Air Intake Assy



HYDRA-14-4P-2P

ENGINE		Air Intake Assy (7201947)		
S No	Part No	Description	Qty	Remarks
1	C8V191900800	CLAMP AIR CLEANER	2	
2	C8V051402000	AIR INTAKE ELBOW	3	
3	C8V19.14.004.0	PIPE	1	
4	C8T020108071	HOSE CLAMP	6	
5	C8V191401100	PRE CLEANER ASSY	1	
6	C9100263	HEX HEAD SCREW	2	
7	C9100061	HEX SCREW	4	
8	C9100046	SPRING WASHER	2	
9	C9100068	HEX NUT	2	

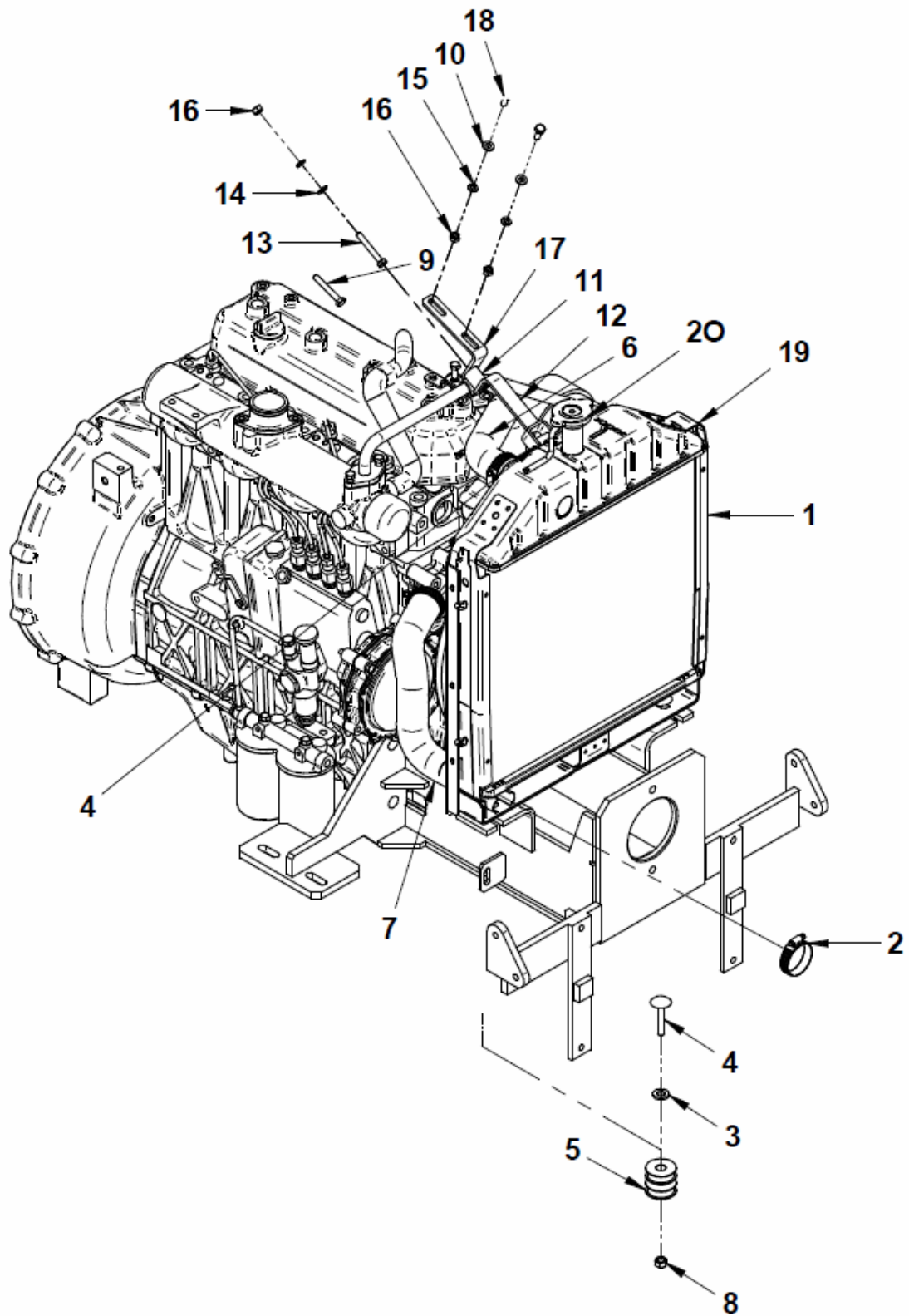
Alternator And Starter Motor



HYDRA-14-4P-2P

ENGINE		Alternator And Starter Motor		
S No	Part No	Description	Qty	Remarks
1	D10218970	BELT DRIVE COGGED	1	
2	D10034600	BOLT ADJUSTER	1	
3	D85500050	WASHER M8 FLAT	1	
4	D10009210	LEVER ALTERNATOR ADJUSTING	1	
4A	D82500100	SCREW M8X1.25X40-6.6 HEX HEAD	1	
4B	D86500030	WASHER M8 SPRING LOCK	3	
5	D10019250	ALTERNATOR ASSEMBLY 35 AMPERE	1	
7	D83500060	NUT M8X1.25 HEX	1	
8	D81501240	BOLT M10X1.50X85-8.8HEX HEAD	1	
9	D82500030	SCREW M10X1.50X25-6.8 HEX HEAD	3	
10	D86500050	WASHER M10 SPRING LOCK	7	
11	D10211440	BRACKET ALTERNATOR ENGINE	1	
12	D83500090	NUT M10X1.50-C8 HEX	1	
13	D10009890	GAKSET STARTER MOTOR	1	
14	D10009880	STARTER MOTOR ASSEMBLY	1	
15	D83500210	NUT M10X1.50-5 HEX	3	
16	D84500020	STUD M10X26-6.8	3	

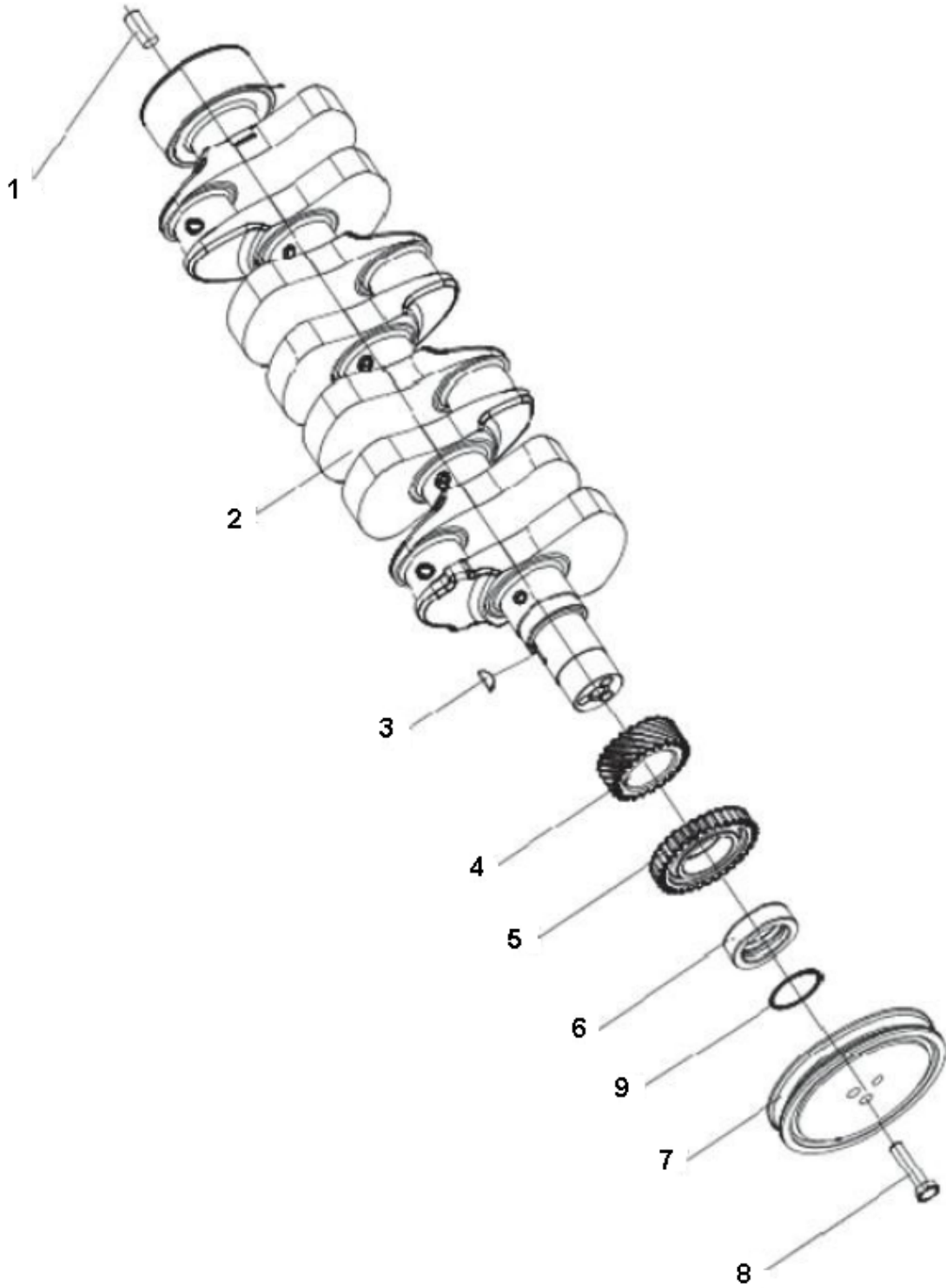
Cooling System



HYDRA-14-4P-2P

ENGINE		Cooling System (7201949)		
S No	Part No	Description	Qty	Remarks
1	C7204395	RADIATOR	1	
2	C8M105526000	HOSE CLAMP	4	
3	C9100059	PLAIN WASHER	2	
4	C8V194908400	PIN RADIATOR STAY	1	
5	C7201861	RUBBER MOUNT	4	
6	C7201944	TOP ELBOW	1	
7	C7201943	HOSE BOTTOM	1	
8	C9100421	NUT LOCK	2	
9	C9100128	HEX HEAD BOLT	1	
10	C9100062	PUNCHED WASHER	1	
11	C8V191600500	RUBBER BUSH	2	
12	C7200347	CLAMP FAB	1	
13	C9100128	HEX HEAD BOLT	1	
14	C9100062	PUNCHED WASHER	4	
15	C9100046	SPRING LOCK WASHER	3	
16	C9100068	HEX NUT	3	
17	C7200346	BEND PLATE	1	
18	C9100052	HEX SCREW	2	
19	C7203158	COWLING	1	
20	C8V1916007000	RADIATOR CAP	1	

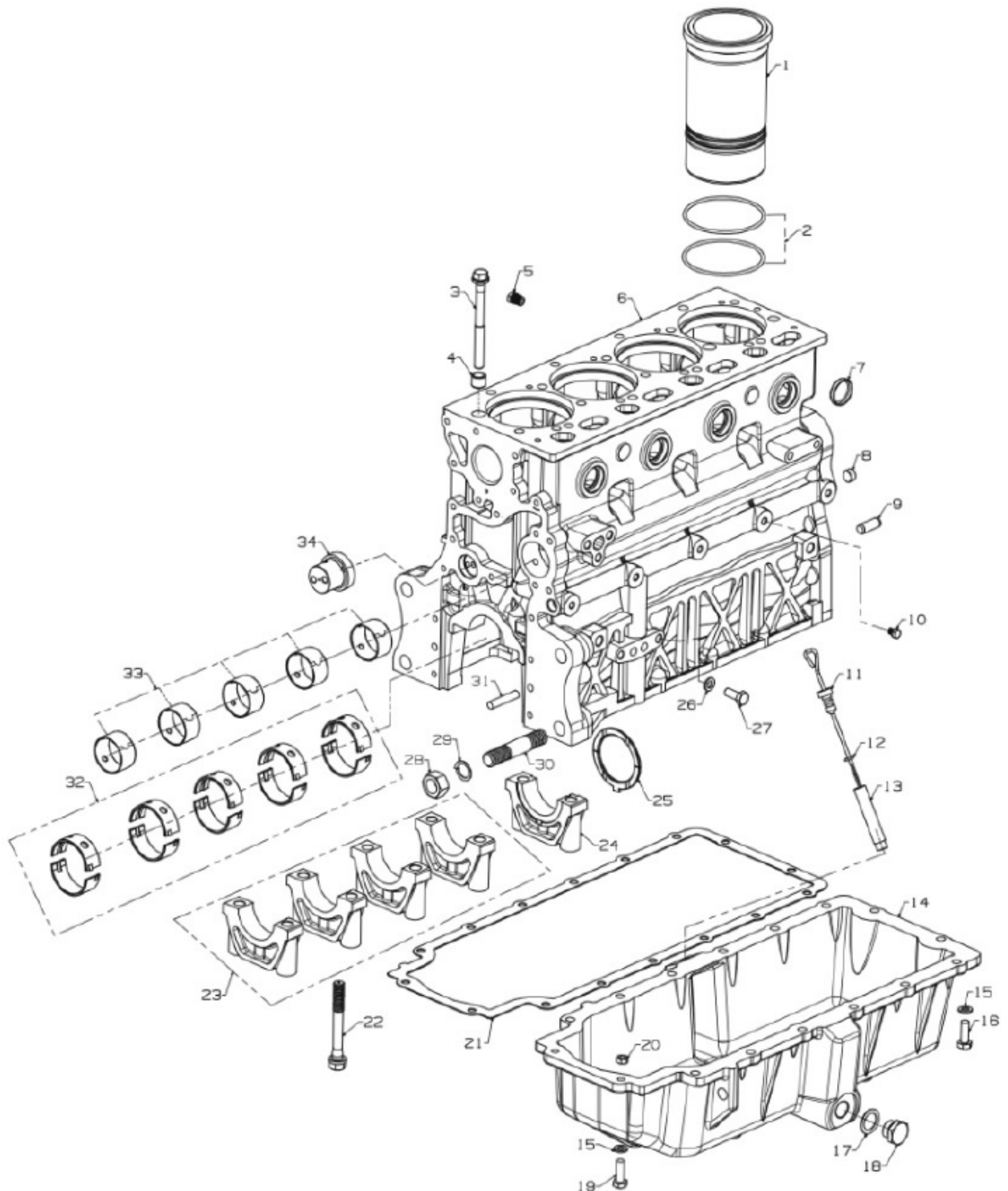
Crankshaft



HYDRA-14-4P-2P

ENGINE		Crankshaft		
S No	Part No	Description	Qty	Remarks
1	D87500080	PIN 13X34 DOWEL	1	
2	D10114970	CRANKSHAFT E4.286	1	
3	D91000130	KEY 5X7.5 WOODRUFF	1	
4	D10009350	GEAR CRANK SHAFT	1	
5	D10009570	GEAR CRANK SHAFT LUBE OIL PUMP DRIVE	1	
6	D10180560	SPACER CRANK PULLEY	1	
7	D10213780	PULLEY CRANK SHAFT E4.286 NA	1	
8	D81500180	BOLT M10X1X45-10KG	3	
9	D10010030	SEAL O RING	1	

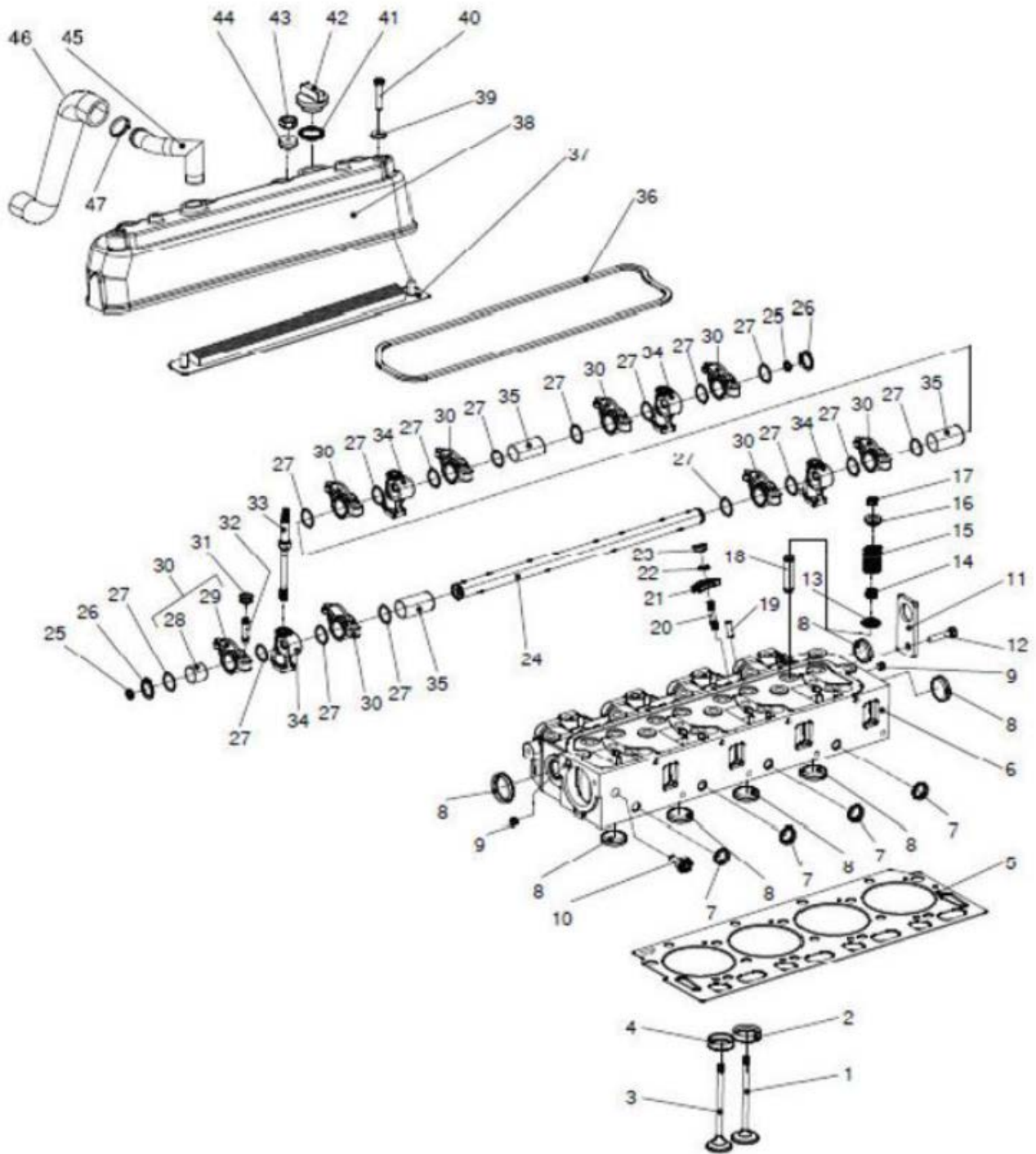
Cylinder Block, Liner & Sump



HYDRA-14-4P-2P

ENGINE		Cylinder Block, Liner & Sump		
S No	Part No	Description	Qty	Remarks
1	D10009220	LINER CYLINDER E3.215	4	
2	D10010040	SEAL ORING 3.80X95.20(M/S FENNER	8	
3	D10114410	BOLT M12X1.5X138.5	18	
4	D87500070	PIN 18X15 SLEEVE	1	
5	D93100010	PLUG 1/4"-18 PIPE	1	
6	D10095260	BLOCK ASSEMBLY CYLINDER E4.286	1	
7	D10008890	PLUG 36.15 MM WELCH	4	
8	D10009990	DOWEL 16X9 CYLINDER BLOCK OIL	1	
9	D87500080	PIN 13X34 DOWELL	1	
10	D93100020	PLUG1/18"-27 HEX HEAD	5	
11	D10009080	INDICATOR ASSEMBLY ENGINE OIL	1	
12	D10007700	SEAL O RING 2.62X7.59	1	
13	D10099640	TUBE ENGINE OIL LEVER	1	
14	D10095370	SUMP ENGINE OIL(E4.286)	1	
15	D85500010	WASHER M10 FLAT	4	
16	D81500060	BOLT M10X1.5X30-8.8 HEX HEAD	14	
17	D10005120	WASHER M24 FLAT COPPER	1	
18	D10023940	PLUG DRAIN M24X1.5-8HEX	1	
19	D82500150	BOLT M10X1.5	2	
20	D83500090	NUT M10X1.5-8HEX	2	
21	D10095390	GASKET ENGINE OIL SUMP	1	
22	D10114400	BOLT M14X1.5X110X-12.9 CRANKSHAFT MAIN	10	
23	D10009490	CAP CRANKSHAFT MAIN BEARING LOWER	4	
24	D10009500	CAP CRANKSHAFT MAIN BEARING THRUST	1	
25	D10009400	RING CRANKSHAFT THRUST UPPER	2	
25	D10009390	RING CRANKSHAFT THRUST LOWER	2	
26	D86500050	WASHER M10 SPRING LOCK	2	
27	D10032950	NUT M20X1.5-8 HEX	4	
28	D96500080	WASHER M20 SPRING LOCK	4	
29	D10035660	STUD FRONT AXLE SUPPORT	4	
30	D10009340	DOWEL POSITIONING 10X50	2	
31	D10009420	BEARING CRANK SHAFT MAIN UPPER	5	
32	D10009410	BEARING CRANK SHAFT MAIN LOWER	5	
33	D10009470	BUSH CAMSHAFT E3.125	5	
34	D10009310	SHAFT VALVE TIMING IDLER GEAR	1	
35	D10203480	KIT ENGINE OVERHAULING(E4.286NA)	1	
36	D10203870	KIT GASKETS ENGINE	1	

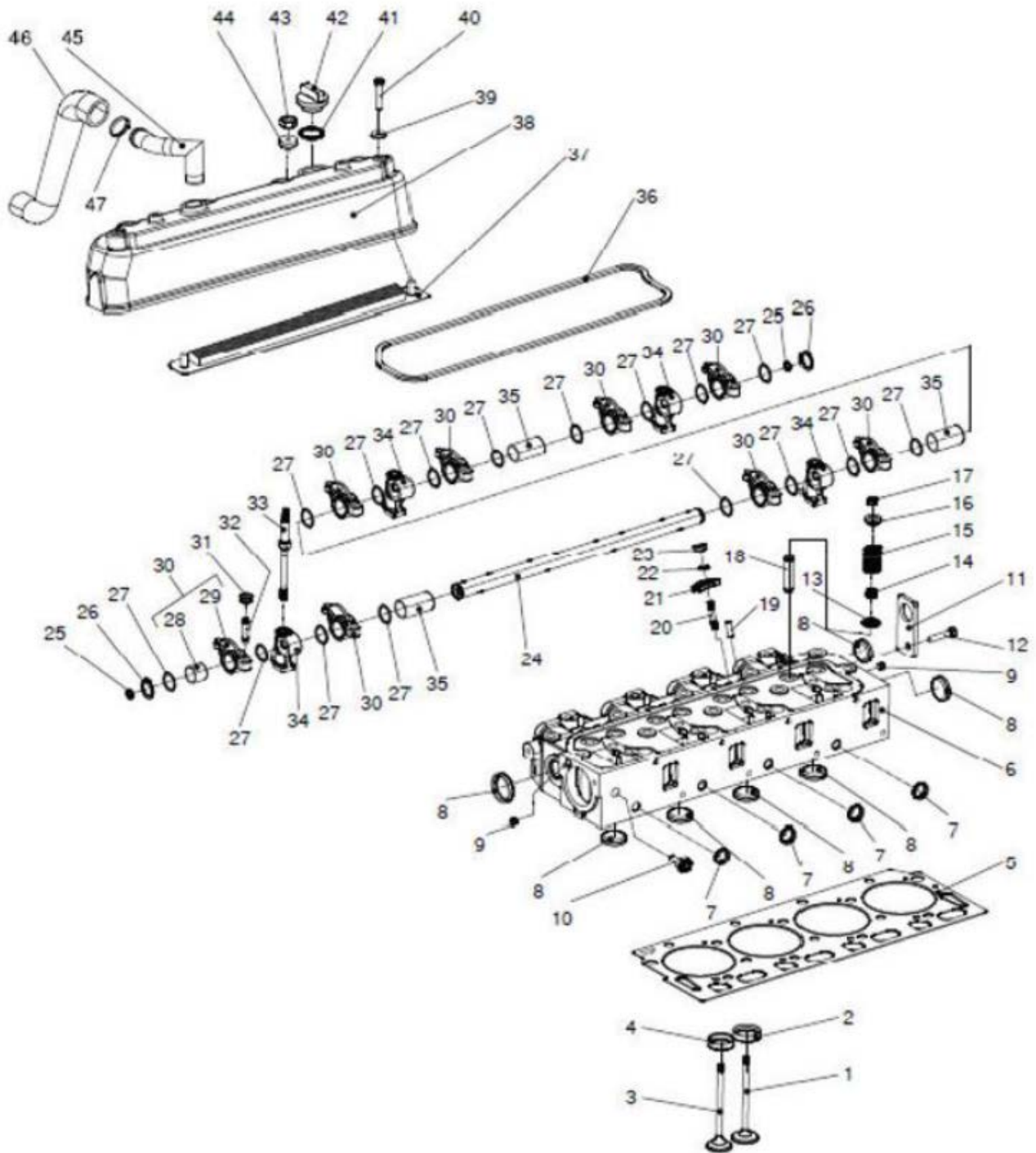
Cylinder Head



HYDRA-14-4P-2P

ENGINE		Cylinder Head		
S No	Part No	Description	Qty	Remarks
1	D10008720	VALVE EXHAUST 35MM GAUGE	4	
2	D10053460	RING EXHAUST VALVE SEAT	4	
3	D10008730	INLET VALVE	4	
4	D10053470	RING INTAKE VALVE SEAT	4	
5	D10098680	GASKET ASSEMBLY CYLINDER HEAD	1	
6	D10098660	HEAD ASSEMBLY CYLINDER(E4.286)	1	
7	D10008680	PLUG12 MM WEICH	4	
8	50.10148.0	PLUG WEICH	7	
9	D10035650	PLUG OIL GALLERY	1	
10	D10202830	SENSOR UNIT WATER TEMPERATURE	1	
11	D10008750	PLATE HOOK ENGINE LIFTING	1	
12	D82500150	BOLT MX101.5	1	
13	D10008750	SEAT VALVE SPRING	8	
14	D10008740	SEAL VALVE STEM 8MM DIAMETER	8	
15	D10008710	VALVE SPRING	8	
16	D10008700	RETAINER VALVE SPRING	8	
17	D10008690	LOCK VALVE SPRING	8	
18	D10049520	VALVE GUIDE	4	
19	D10022020	PIN FUEL INJECTOR NOZZLE HOLDER	4	
20	D10022030	STUD NOZZLE HOLDER	4	
21	D10022030	CLAMP NOZZLE HOLDER	4	
22	D10022040	WASHER	4	
23	D183500060	NUT	4	
24	D10134800	ROCKER SHAFT ASSEMBLY E4.286	1	
25	D10105240	PLUG 14MM WELCH	4	
26	D90000060	CIRCLIP 122 8X1.2N	2	
27	D10008830	WASHER ROCKER ARM SHAFT	12	
28	D10009060	BUSH ROCKER ARM	8	
29	D10123280	ROCKER ARM	4	
30	D10009030	ARM ASSEMBLY ROCKER	8	
31	D83500080	NUT M10X1.CO-8 HEX	8	
32	D10009030	ADJUSTING SCREW	8	
33	D10009010	BOLT ROCKER ARM BRACKET	4	
34	D10008570	BRACKET ROCKER ARM	4	
35	D10008560	SPACER ROCKER ARM SHAFT	3	
36	D10095350	SEAL CYLINDER HEAD COVER	1	
37	D10095510	BAFFLE PLATE ASSEMBLY	1	
38	D10095330	COVER CYLINDER HEAD(E4.286)	1	
39	D10008980	SEAL METAL BONDED	2	
40	D82500140	SCREWM8X25-8.8	2	
41	D10010020	SEAL O RING	1	
42	D10008940	CAP OIL FILLING CYLINDER HEAD COVER	1	
43	D83500060	NUT M8X1.25 HEX	4	
44	D10008950	WASHER SEAL	4	
45	D10039100	TUBE OUTLET BREATHER	1	
46	D10182180	HOSE OUTLET BREATHER(E4.286)	1	

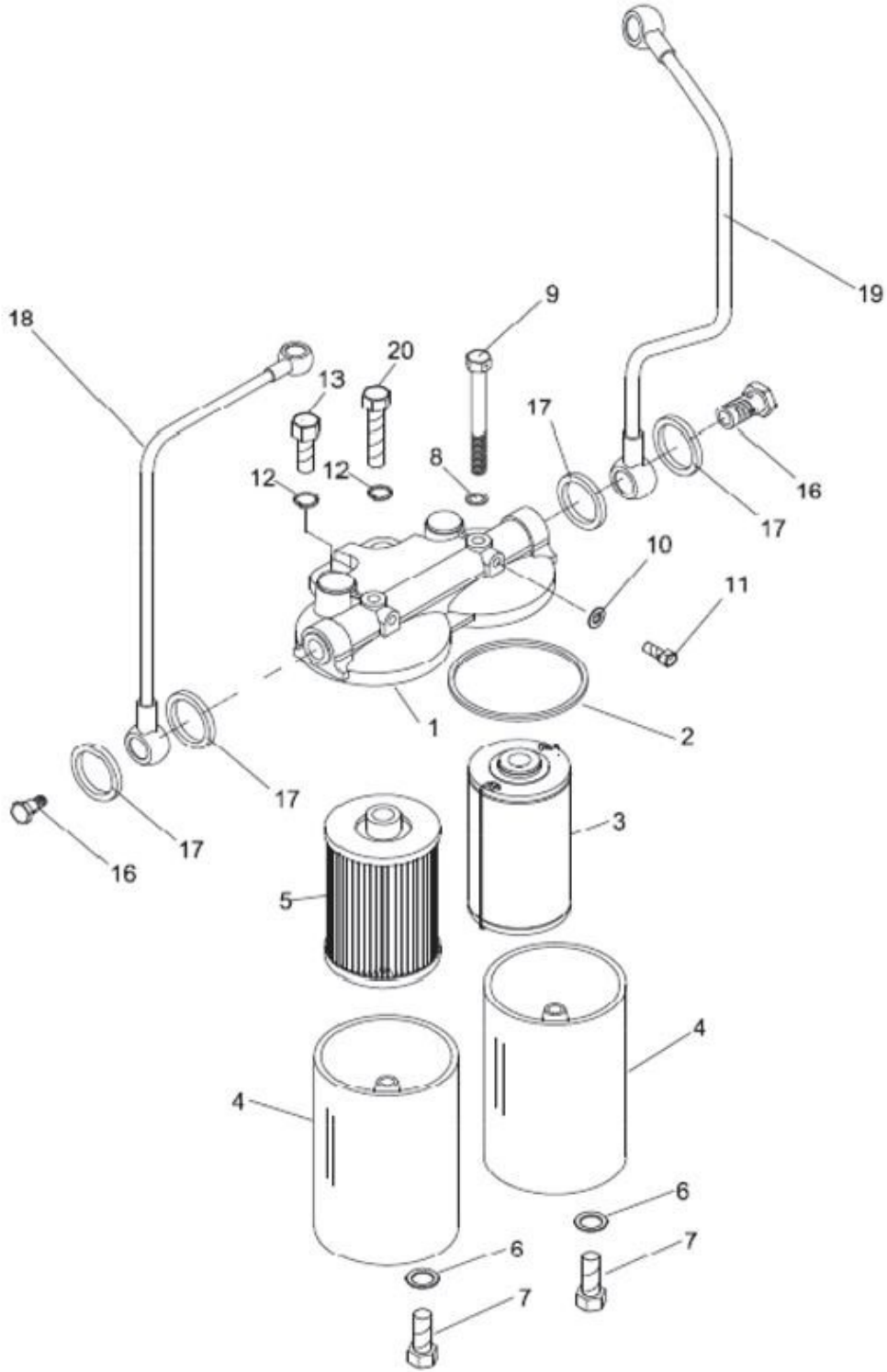
Cylinder Head



HYDRA-14-4P-2P

ENGINE		Cylinder Head		
S No	Part No	Description	Qty	Remarks
47	D10015680	CLAMP HOSE W ARMDRIVE	1	
48	D10203850	KIT ENGINE VALVES INLET	1	

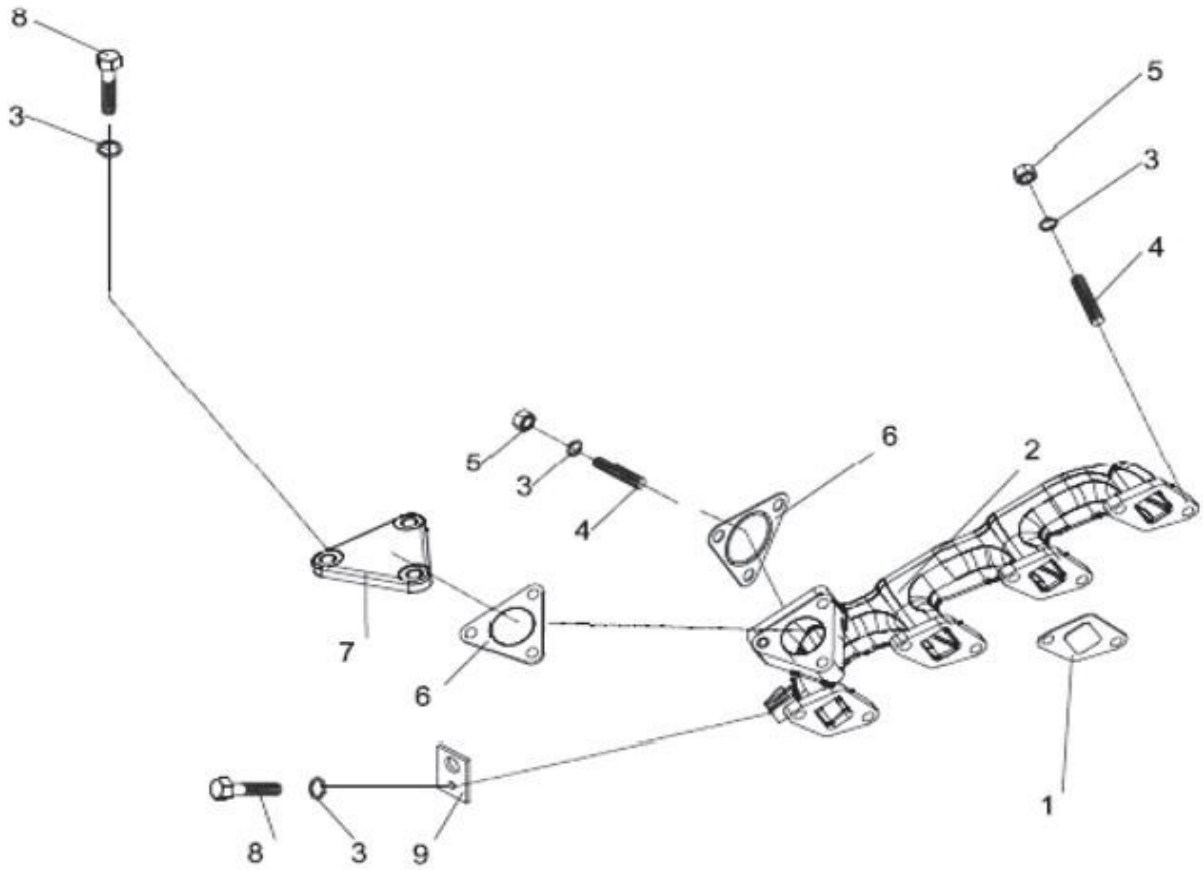
Dual Fuel Filter System



HYDRA-14-4P-2P

ENGINE		Dual Fuel Filter System		
S No	Part No	Description	Qty	Remarks
1	D10071950	PLATE FILTER COVER	1	
2	D10071960	WASHER	2	
3	D10066450	FILTER FUEL PRIMARY WITH RING	1	
4	D10071940	HOUSING FILTER	2	
5	D10066460	FILTER FUEAL SECONDARY WITH RING	1	
6	D10072130	WASHER SEALINGFOR SCREW COVER	4	
7	D10071980	SCREW AIR VENTILLATION	4	
8	D10067530	WASHER C5NE9G546A	2	
9	D10121510	SCREW FIXING	2	
10	D10071790	WASHER	2	
13	D81500230	BOLT M12X1.75X45X-8.8 HEX	2	
14	D10006950	WIRE LOCKING GALVANIZED IRON 0.8MM	1	
15	D10010080	SEAL LEAD 3/8"	1	
16	D10015180	BOLT PIPE UNION FUEL SUPPLY SYSTEM	2	
17	D10015190	WASHER 14.2X18 FLAT COLLAR	4	
18	D10156410	PIPE ASSEMBLY FEED PUMP TO FUEL FILTER	1	
19	D10156390	PIPE ASSEMBLY FUEL FILTER TO FIP	1	
20	D10015140	FILTER ASSEMBLY FUEL	1	
21	D10073870	KIT FUEL FILTER INSERTS PRIMARY	1	
22	D10040480	DECAL FUEL FILTER INSTRUCTIONS	1	

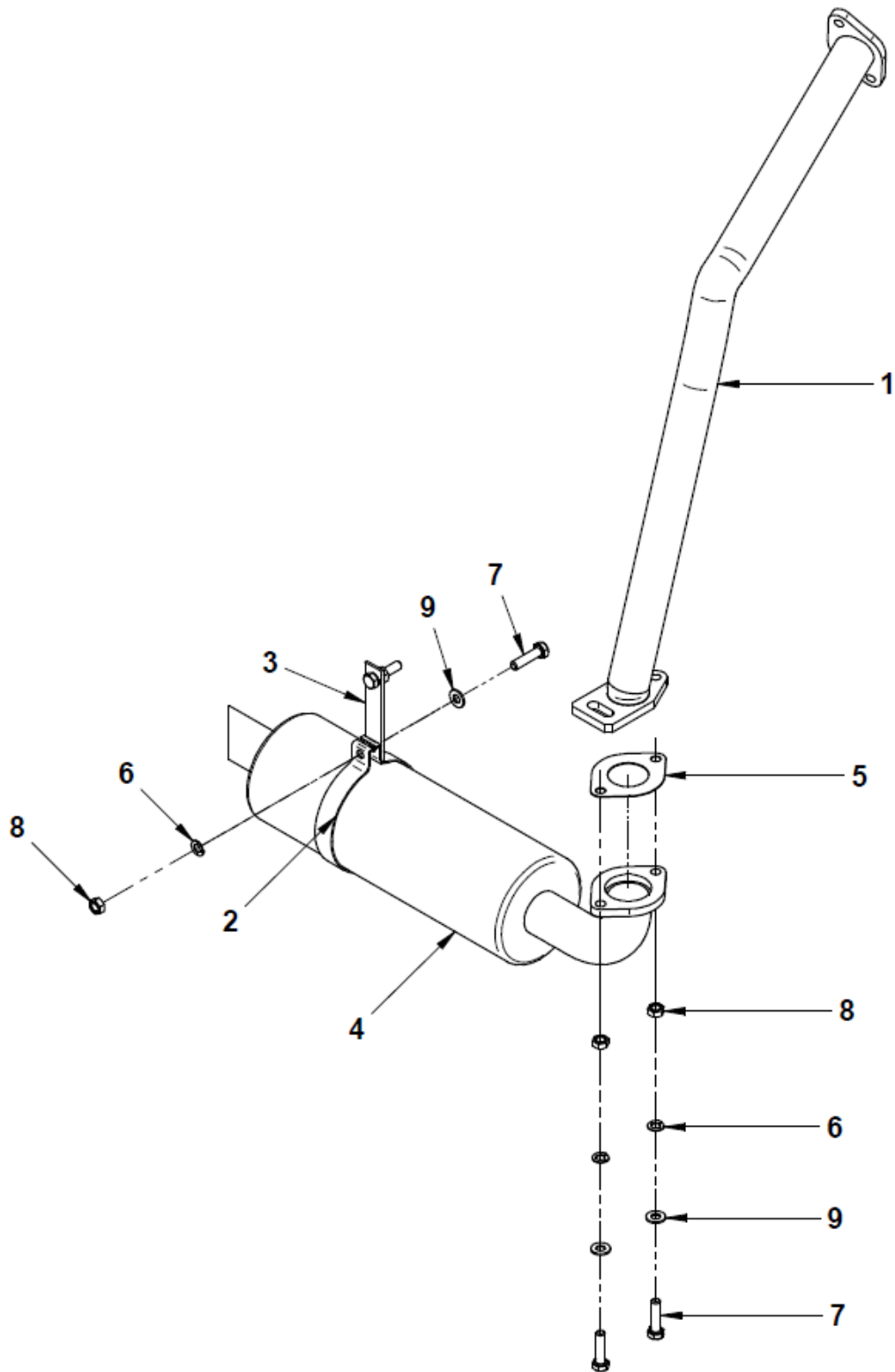
Exhaust Manifold



HYDRA-14-4P-2P

ENGINE		Exhaust Manifold		
S No	Part No	Description	Qty	Remarks
1	D10008650	GASKET EXHAUST MANIFOLD	4	
2	D10115560	MANIFOLD EXHAUST E4.286	1	
3	D86500050	WASHER M10 SPRING LOCK	15	
4	D84500020	STUD M10X1.5-8HEX	11	
5	D83500090	NUT M10X26-6.8	11	
6	D10010060	GASKET EXHAUST ELBOW	1	
7	D10120360	PLATE MANIFOLD EXHAUST	1	
8	D10035900	BOLT M10X1.5-20	4	
9	D10008600	PLATE HOOK ENGINE LIFTING	1	

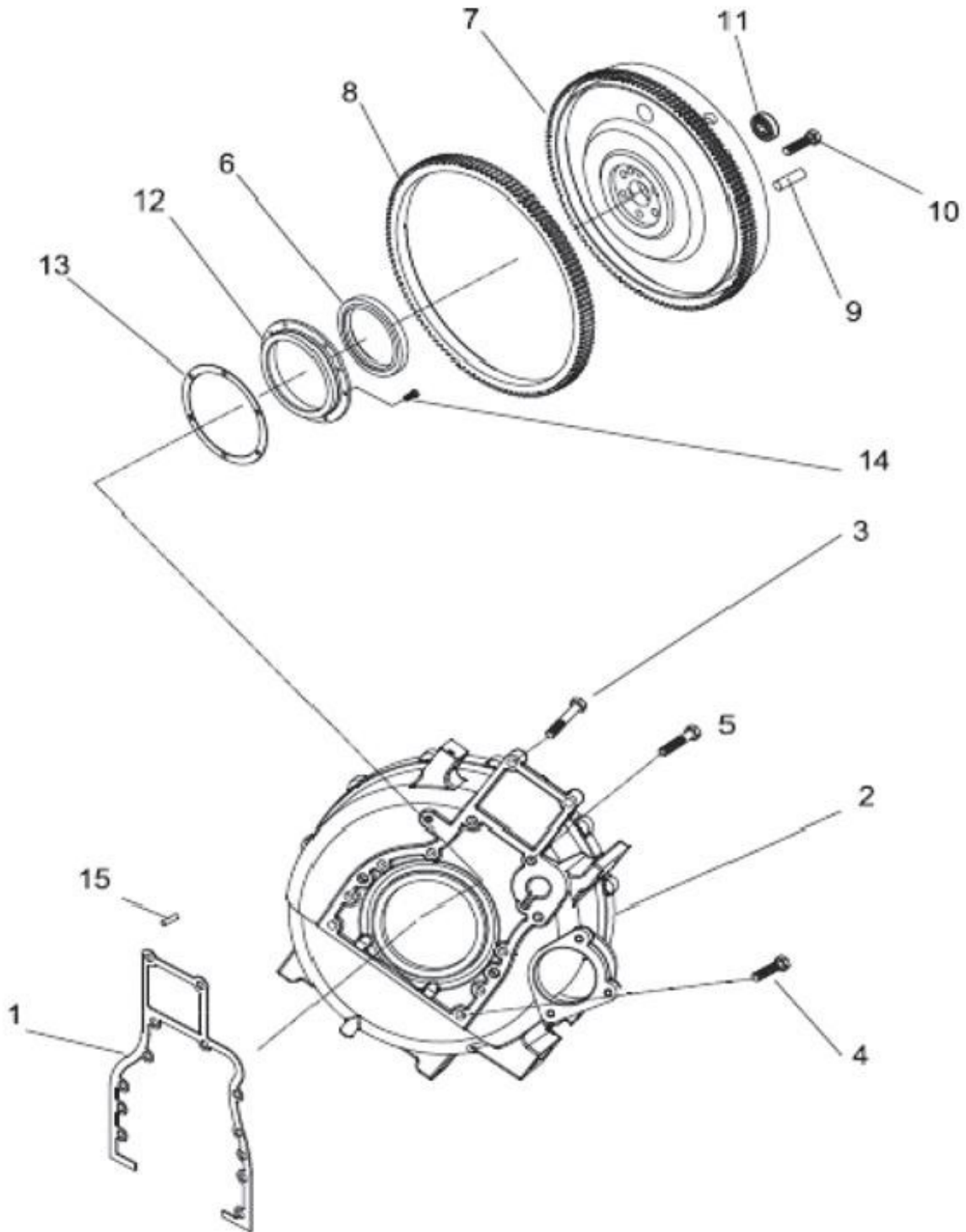
Exhaust System



HYDRA-14-4P-2P

ENGINE		Exhaust System (7203229)		
S No	Part No	Description	Qty	Remarks
1	C7202187	EXHAUST PIPE	1	
2	C8V190201800	SILENCER CLAMP	1	
3	C8V190201900	MOUNTING PLATE	1	
4	C8V190280320	SILENCER ASSY	1	
5	C8V161600600	GASKET	1	
6	C9100044	SPRING LOCKWASHER	3	
7	C9100192	HEXAGON HEAD SCREW	4	
8	C9100076	NUT	4	
9	C9100040	PUNCHED WASHER	3	

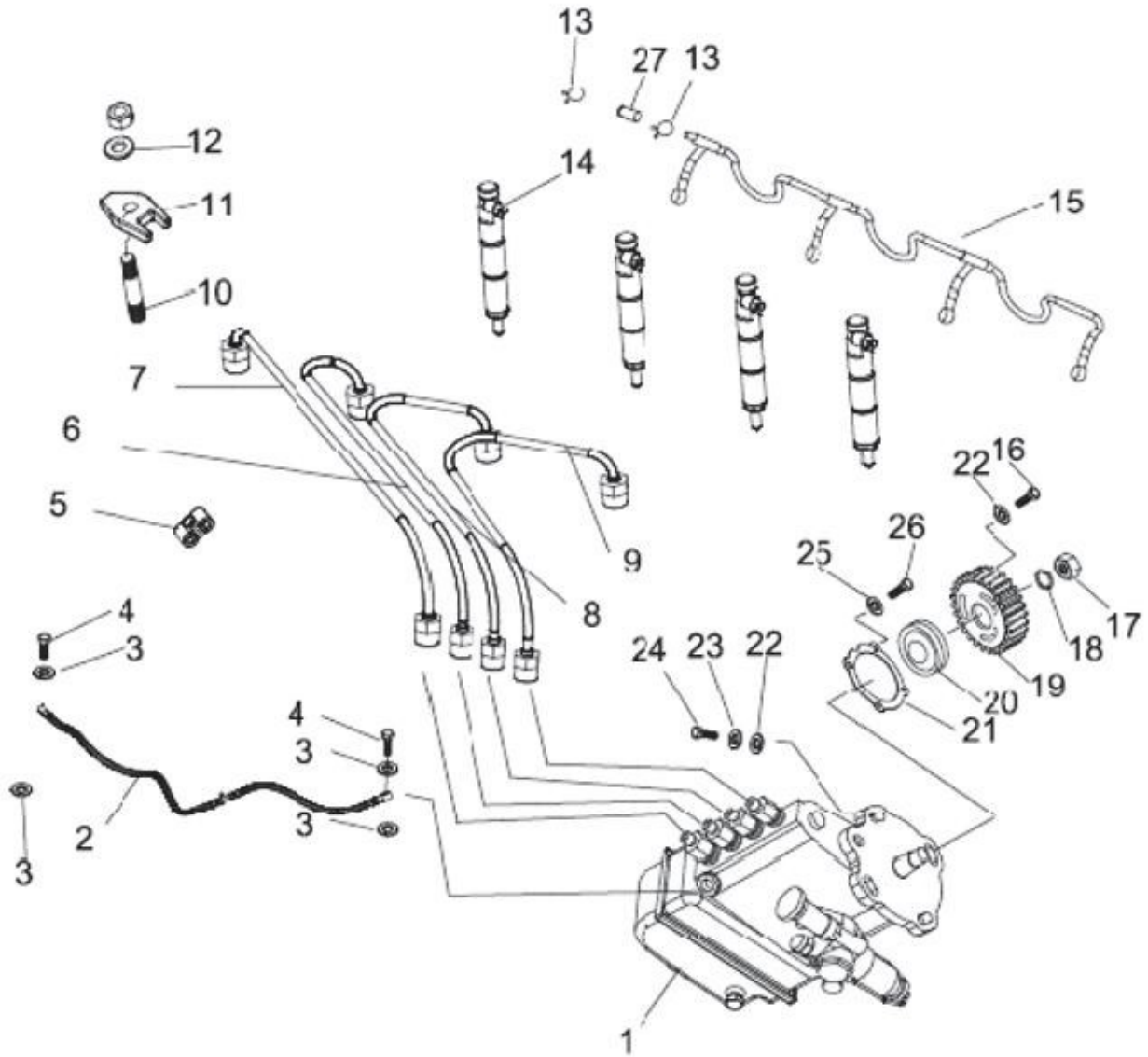
Flywheel And Flywheel Hsg



HYDRA-14-4P-2P

ENGINE		Flywheel And Flywheel Hsg		
S No	Part No	Description	Qty	Remarks
1	D10009170	GASKET FLYWHEEL HOUSING	1	
2	D10150980	HOUSING FLYWHEEL WITH BATTERY MOUNTING PAD LH	1	
3	D81500170	BOLT M12X1.75X55-10.9 HEX HEAD	2	
4	D10008440	BOLT M12X1.75X36-10.9 HEX HEAD	8	
5	D10007150	BOLT M12X1.75X45-10.9 HEX HEAD	2	
6	D10009120	SEAL OIL CRANK SHAFT REAR	1	
7	D10212890	FLY WHEEL ASSEMBLY E4.286 NA	1	
8	D10051080	RING FLYWHEEL GEARZ-126	1	
9	D87500080	PIN 13X34 DOWEL	1	
10	D81501250	BOLT M12X1.25X80-10.9P HEX HEAD	6	
11	D10009930	BEARING 6203ZZ	1	
12	D10009130	CARRIER CRANK SHAFT REAR OIL SEAL	1	
13	D10009140	GASKET CRANKSHAFT REAR OIL SEAL	1	
14	D82500050	SCREW M6X1X12-6.8 HEX HEAD	6	
15	D10009830	DOWEL POSITION PLAIN 8X8.3	1	

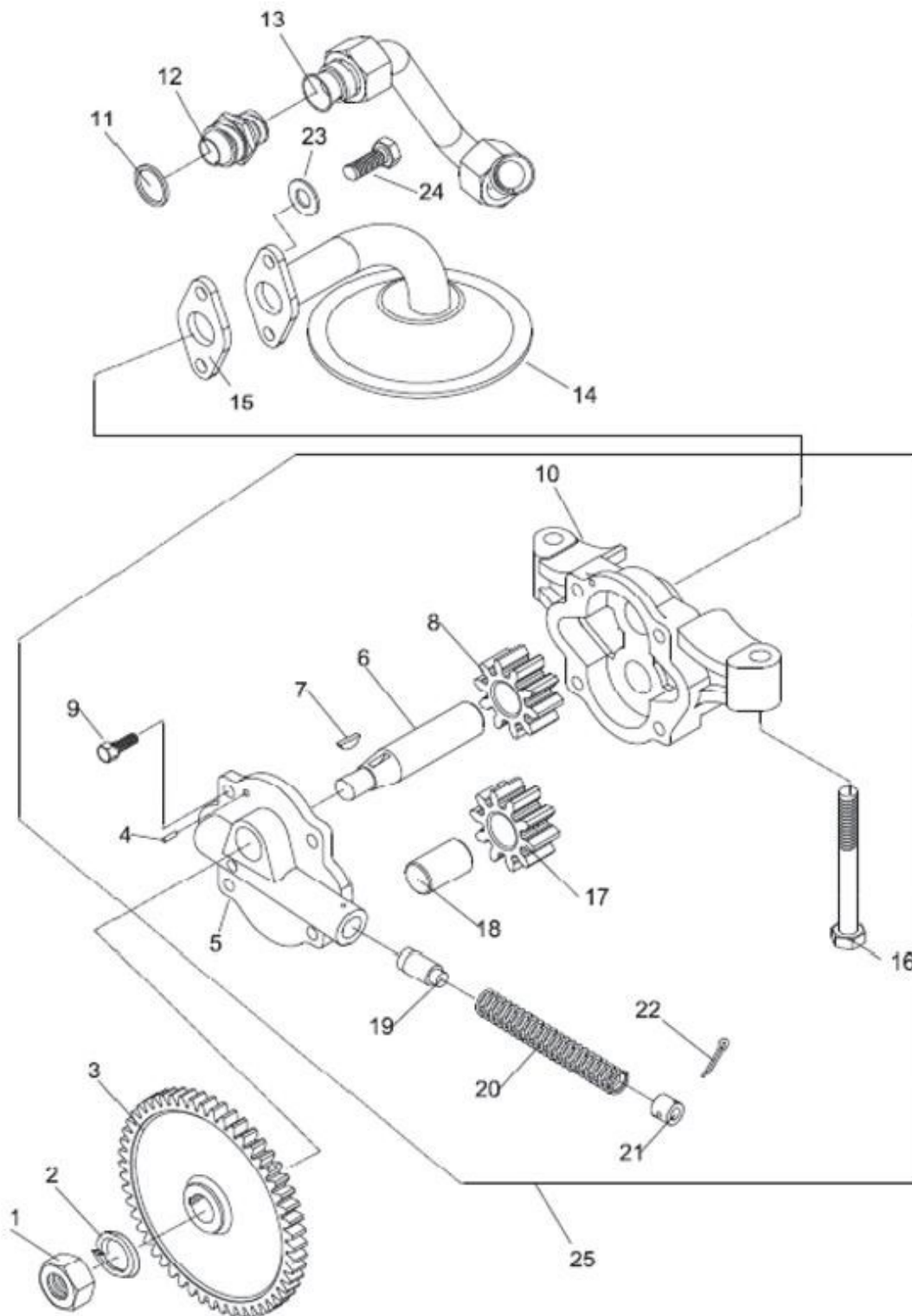
Fuel Supply System - Inline Pump



HYDRA-14-4P-2P

ENGINE		Fuel Supply System - Inline Pump		
S No	Part No	Description	Qty	Remarks
1	D10216690	PUMP FUEL INJECTION E4.286 BHARAT TREM	1	
2	D10250620	PIPE ASSEMBLY FIP OVERFLOW TO FUEL	1	
3	D10015190	WASHER 14.2X18 FLAT COPPER	16	
4	D10015180	BOLT PIPE UNION FUEL SUPPLY SYSTEM	8	
5	D10008850	CLAMP ASSEMBLY FUEL INJECTION PIPE	3	
6	D10135700	TUBE ASSEMBLY FUEL INJECTION 3RD CYLINDER	1	
7	D10135710	TUBE ASSEMBLY FUEL INJECTION 4TH CYLINDER E4.286	1	
8	D10135690	TUBE ASSEMBLY FUEL INJECTION 2ND CYLINDER	1	
9	D10135680	TUBE ASSEMBLY FUEL INJECTION 1ST CYLINDER	1	
10	D10039010	STUD NOZZLE HOLDER M8	8	
12	D10022040	WASHER	4	
13	D10016150	CLAMP FUEL INJECTOR OVER FLOW PIPE	6	
14	D10139050	INJECTOR ASSEMBLY FUEL FT35 BHARAT	4	
15	D10135670	TUBE ASSEMBLY FUEL INJECTION LEAK	1	
16	D81500110	BOLT M8X1.25X20-8.8 HEX	4	
17	D83500040	NUT M12X1.75-6 HEX	3	
18	D86500020	WASHER M12 SPRING LOCK	7	
19	D10009580	GEAR FUEL INJECTION PUMP	1	
20	D10156710	HUB FUEL INJECTION PUMP 20MM CONE	1	
21	D10009630	GAKET FUEL INJECTION PUMP	1	
22	D10009600	WASHER 8.5X22 FLAT PHOSPHATED	4	
23	D86500050	WASHER M10 SPRING LOCK	4	
24	D83500060	NUT M8X1.25HEX	4	
25	D85500050	WASHER M8 FLAT	4	
26	D81500030	BOLT M8X1.25X35-8.8 HEX HEAD	4	
27	D10214680	PIPE INJECTOR OVER FLOW	1	

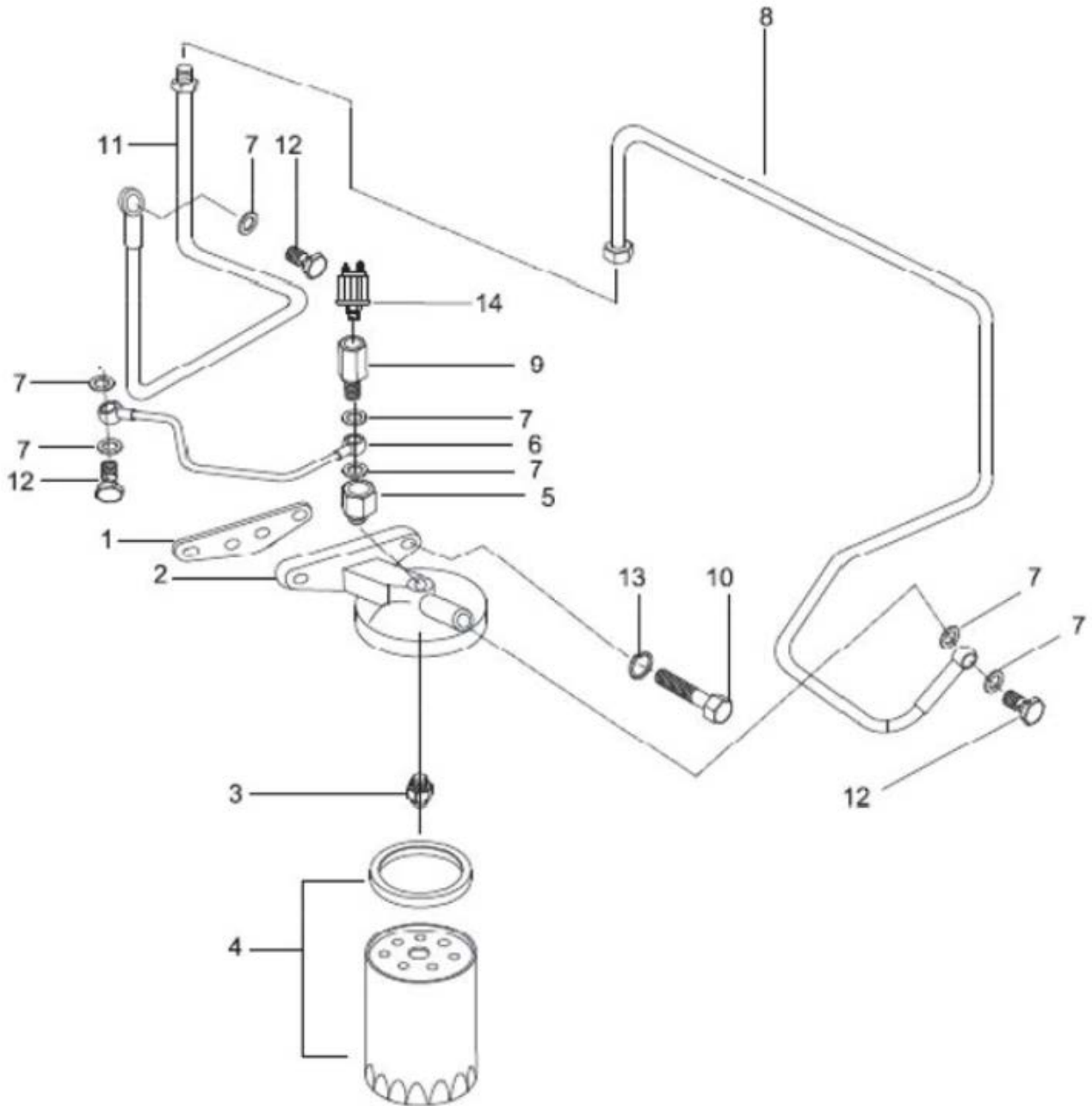
Lube Oil Pump Assembly



HYDRA-14-4P-2P

ENGINE		Lube Oil Pump Assembly		
S No	Part No	Description	Qty	Remarks
1	D83500100	NUT M14X1.5-6HEX	1	
2	D10009800	WASHER TAB	1	
3	D10009810	GEAR DRIVEN LUBE OIL PUMP	1	
4	D87500090	PIN 5X30	1	
5		PUMP COVER	1	
6	D10104140	SHAFT ENGINE LUBE OIL PUMP GR DRIVING	1	
7	D91000050	KEY 4X5 WOODRUFF	1	
8	D10095450	GEAR DRIVE ENGINE LUBE OIL PUMP	1	
9	D82500070	SCREW M8X1.25X15-6.8 HEX HEAD	6	
10	D10095420	BODY ENGINE LUBE OIL PUMP(E4.286)	1	
11	D10008820	WASHER 20.5 ALUMINIUM SEALING	1	
12	D10008810	ADAPTER LUBE OIL PUMP	1	
13	D10008800	PIPE ASSEMBLY LUBE OIL DELIVERY	1	
14	D10099920	PIPE AND STRAINER ASSEMBLY LUBE OIL	1	
15	D10009790	GASKET LUBE OIL SUCTION PIPE	1	
16	D81500160	BOLT M10X1.5X45-10.9 HEX HEAD	2	
17	D10095440	GEAR DRIVEN ENGINE LUBE OIL PUMP	1	
18	D10099910	SHAFT ENGINE LUBE OIL PUMP GR DRIVING	1	
19	D10052660	PISTON LUBE OIL PUMP OUTLET VALVE	1	
20	D10105360	SPRING	1	
21	D10052790	TUBE LUBE OIL PUMP SPRING PRESSURE	1	
22	D88400050	PIN1.6X25.4 COTTER	1	
23	D86500030	WASHER M8 SPRING LOCK	2	
25	D10098690	PUMP ASSEMBLY ENGINE LUBE OIL	1	

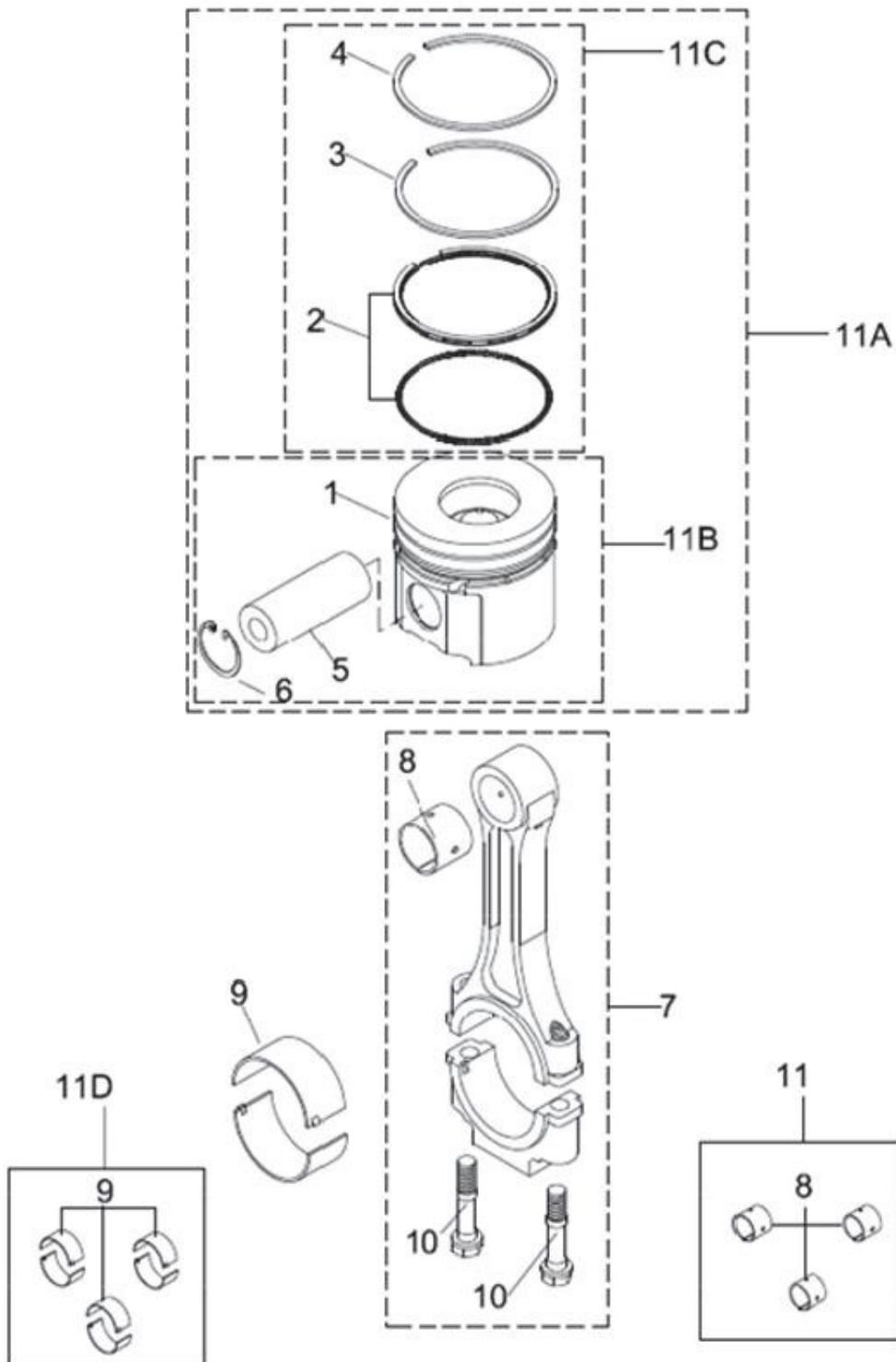
Oil Filter Assy



HYDRA-14-4P-2P

ENGINE		Oil Filter Assy		
S No	Part No	Description	Qty	Remarks
1	D10009860	GASKET LUBE OIL FILTER BODY	1	
2	D10039120	BRACKET OIL FILTER	1	
3	D10010260	INSERT OIL FILTER MOUNTING	1	
4	D10017600	FILTER ASSEMBLY LUBE OIL	1	
5	D10010270	ADAPTER OIL PRESSURE GAUGE	1	
6	D10211410	PIPE COMPRESSOR LUBRICATION E4.286	1	
7	D10007280	WASHER COPPER SEALING	7	
8	D10156470	PIPE ASSEMBLY OIL FILTER BODYE4.286	1	
9	D10156180	ADAPTER F I PUMP LIVE LUBRICATION	1	
10	D81500060	BOLT M10X1.5X30-8.8 HEX HEAD	2	
11	D10156460	PIPE ASSEMBLY F I PUMP E4.286	1	
12	D10034530	BANZO BOLT	3	
13	D86500050	WASHER M10 SPRING LOCK	2	
14	D10206600	SENSOR UNIT OIL PRESSURE GAUGE	1	

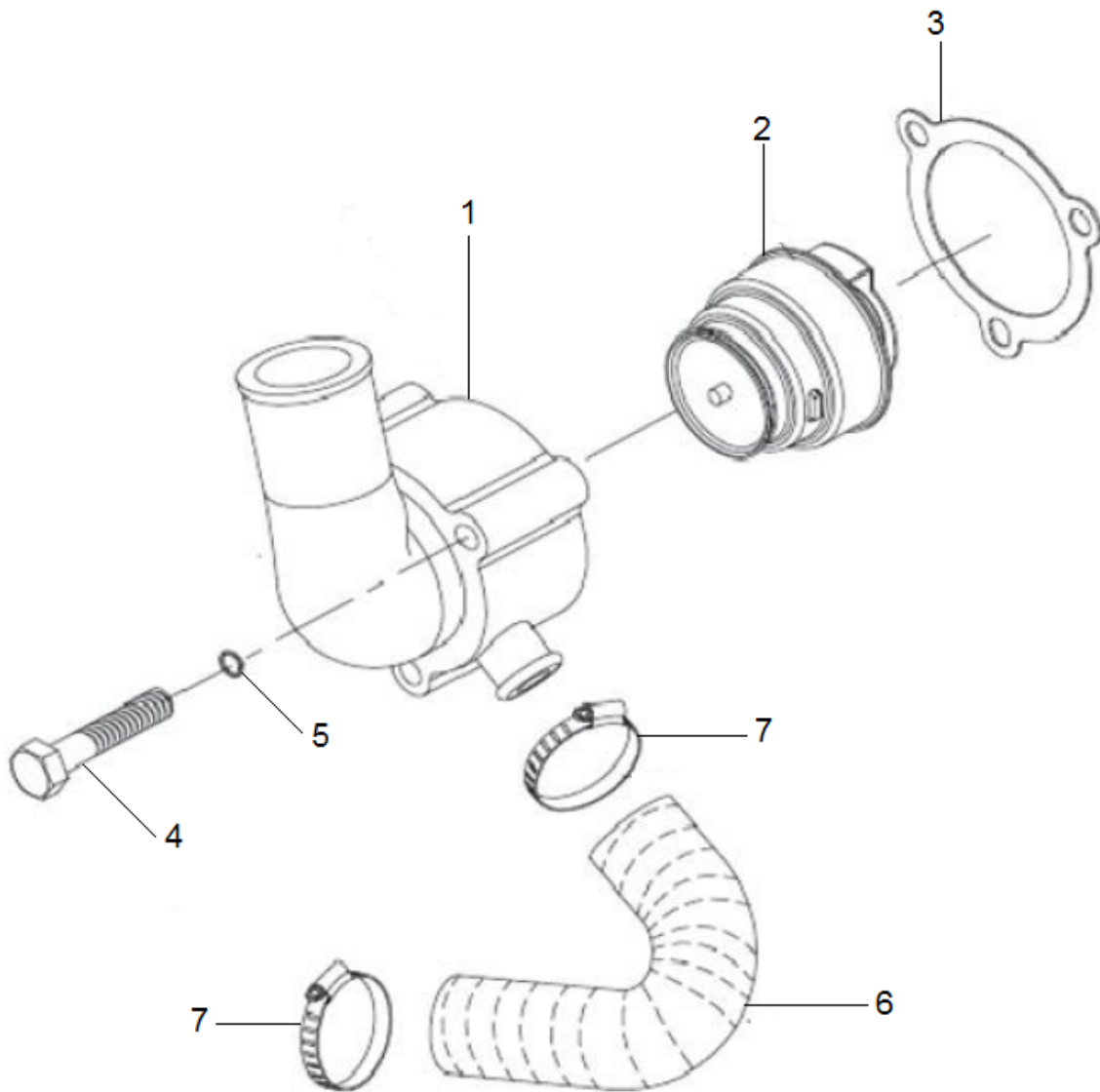
Piston And Connecting Rod Assy



HYDRA-14-4P-2P

ENGINE		Piston And Connecting Rod Assy		
S No	Part No	Description	Qty	Remarks
1	D10009770	PISTON 91 MM E3.215	4	
2	D10009370	RING ASSEMBLY PISTON OIL CONTROL	4	
3	D10009740	RING PISTON COMPRESSOR LOWER	4	
4	D10009750	RING PISTON COMPRESSOR UPPER	4	
5	D10009760	PIN PISTONE3.215	4	
6	D90500050	CIRCIP B28X1.2N	8	
7	D10009680	ROD ASSEMBLY CONNECTING E3.215	4	
8	D10009710	BUSH CONNECTING ROD SMALL END	4	
9	D10009670	BEARING CONNECTING ROD	8	
10	D10009720	BOLT M10X1.25X52-6.6 CONNECTING ROD	8	
11	D10203860	KIT CONNECTING ROD SMALL END BUSHES	1	
11A	D10203880	KIT ENGINESET OF PISTON CIRCLIP PIN PISTON AND	1	
11B	D10203890	KIT ENGINE SET OF PISTON CIRCLIP PIN PISTON	1	
11C	D10203900	KIT ENGINE PISTON RING SET(E4455PT)	1	
11D	D10073770	KIT ENGINE CONNECTING ROD BEARING SET SIZE	1	

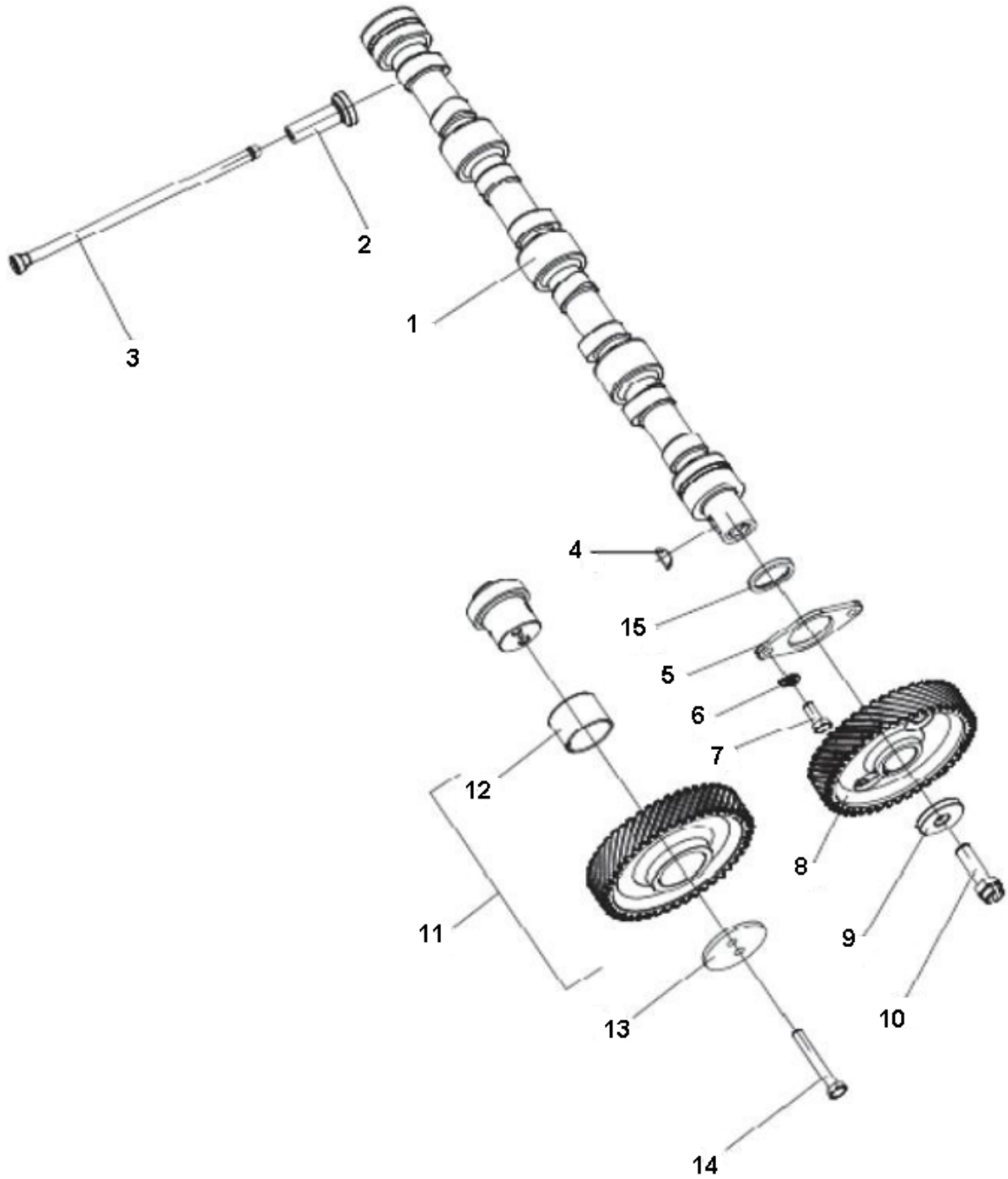
Thermostat



HYDRA-14-4P-2P

ENGINE		Thermostat		
S No	Part No	Description	Qty	Remarks
1	D10250660	HOUSING THERMOSTAT	1	
2	D10250470	THERMOSTAT ASSEMBLY ENGINE COOLING	1	
3	D10013790	GASKET THERMOSTAT HOUSING	1	
4	D81500260	BOLT MX81.25X55-6.6P HEX HEAD	3	
5	D86500030	WASHER M8 SPRING LOCK	3	
6	D10013780	HOSE WATER PUMP TO THERMOSTAT	1	
7	D10013970	CLAMP HOSE 35A	2	

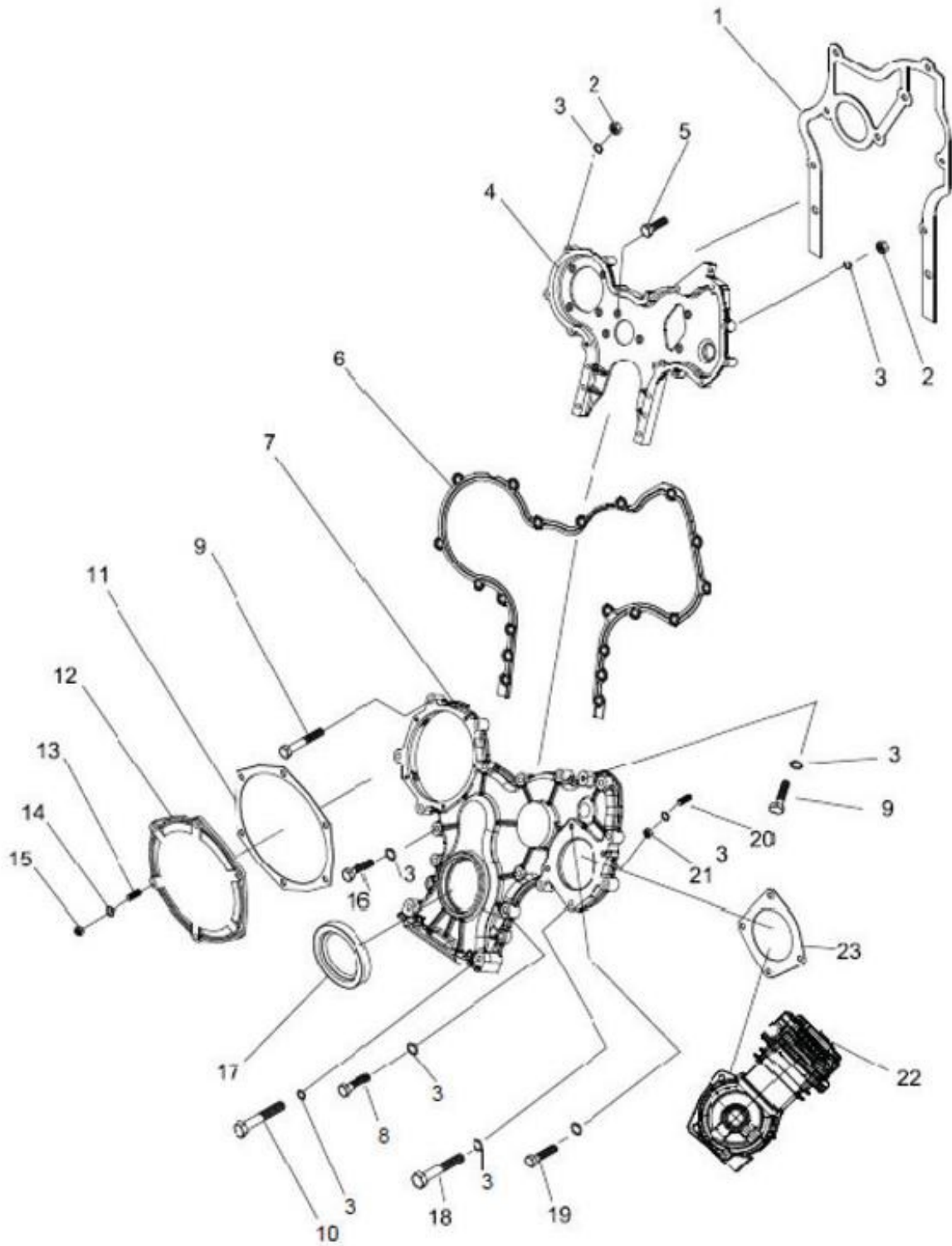
Timing Gear And Cam Shaft



HYDRA-14-4P-2P

ENGINE		Timing Gear And Cam Shaft		
S No	Part No	Description	Qty	Remarks
1	D10095320	CAMSHAT E4.286	1	
2	D10173250	TAPPET INTAKE AND EXAUT VALVE	8	
3	D10009020	PUSH ROD	8	
4	D91000130	KEY 5X7.5 WOODRUFF	1	
5	D10009270	THRUST PLATE CAM SHAFT	1	
6	D86500030	WASHER M8 SPRING LOCK	2	
7	D81500110	BOLT M12X1.75X38 HEX HEAD CAMSHAFT	2	
8	D10009250	GEAR CAMSHAFT Z-48	1	
9	D10009240	PLATE CAMSHAFT THRUST	1	
10	D10009230	BOLT M12X1.75X38 HEX HEAD CAMSHAFT	1	
11	D10009660	GEAR ASSEMBLY IDLER ENGINE VALVE	1	
12	D10051130	BUSH ENGINE VALVE TIMING IDLER GEAR	1	
13	D10009650	THRUST PLATE IDLER GEAR	1	
14	D81500150	BOLT M8X1.25X70-8.8	2	
15	D10009280	RING CAMSHAFT THRUST PLATE	1	

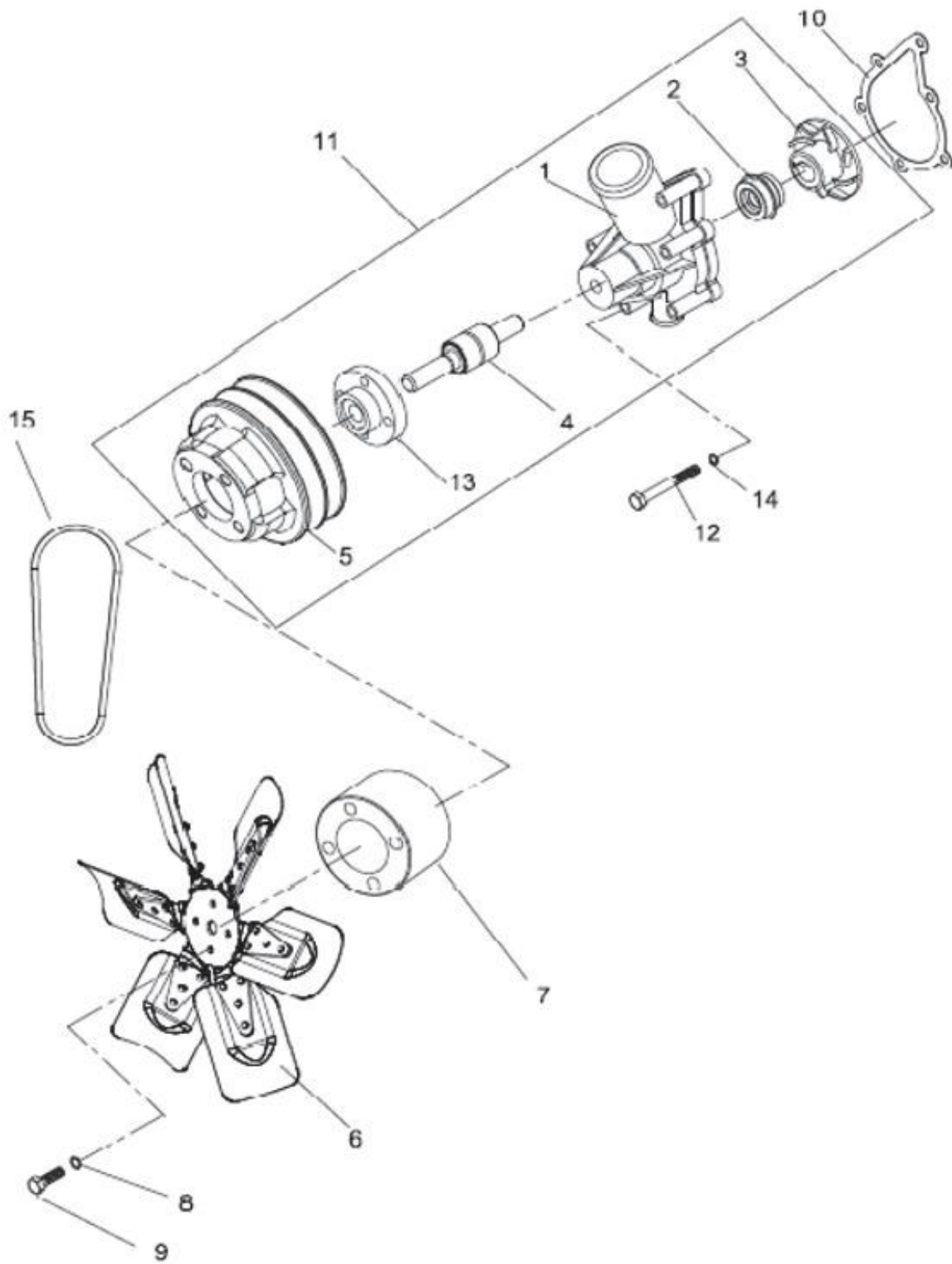
Timing Gear Hsg Cover And Sealing



HYDRA-14-4P-2P

ENGINE		Timing Gear Hsg Cover And Sealing		
S No	Part No	Description	Qty	Remarks
1	D20009330	GASKET TIMING GEAR HOUSING	1	
2	D83500110	NUT M8X1.25-8HEX	5	
3	D86500030	WASHER M8 SPRING LOCK	24	
4	D10211330	HOUSING VALVE TIMING GEAR E4.286 NA	1	
5	D81500110	BOLT M8X1.25X20-8.8 HEX HEAD	2	
6	D10211390	GASKET TIMING GEAR COVER ENGINE	1	
7	D10211340	COVER VALVE TIMING GEAR	1	
8	D81500140	BOLT M8X1.25X65-8.8 HEX HEAD	6	
9	D81500130	BOLT M8X1.25X60-8.8 HEX HEAD	8	
10	D81500120	BOLT M8X1.25X80-8.8 HEX HEAD	3	
11	D10009540	GAKSET FIP GEAR INSPECTION COVER	1	
12	D10090600	COVER FIP GEAR INSPECTION	1	
13	D10010010	STUD B M6X1X20-6.6P	5	
14	D86500040	WASHER M6 SPRING LOCK	5	
15	D83500070	NUT M6X1-6HEX	5	
16	D81500030	BOLT M8X1.25X35-6.6 HEX HEAD	2	
17	D10009550	SEAL CRANKSHAFT FRONT	1	
19	D82500080	SCREW M8X1.25X25-8.8 HEX HEAD	2	
20	D84500110	STUD B M8X35-10.9	1	
21	D83500060	NUT M8X1.25 HEX	1	
22	D10233160	COMPRESSOR ASSEMBLY	1	
23	D10211430	GASKET COMPRESSOR ENGINE E4.286 NA	1	

Water Pump

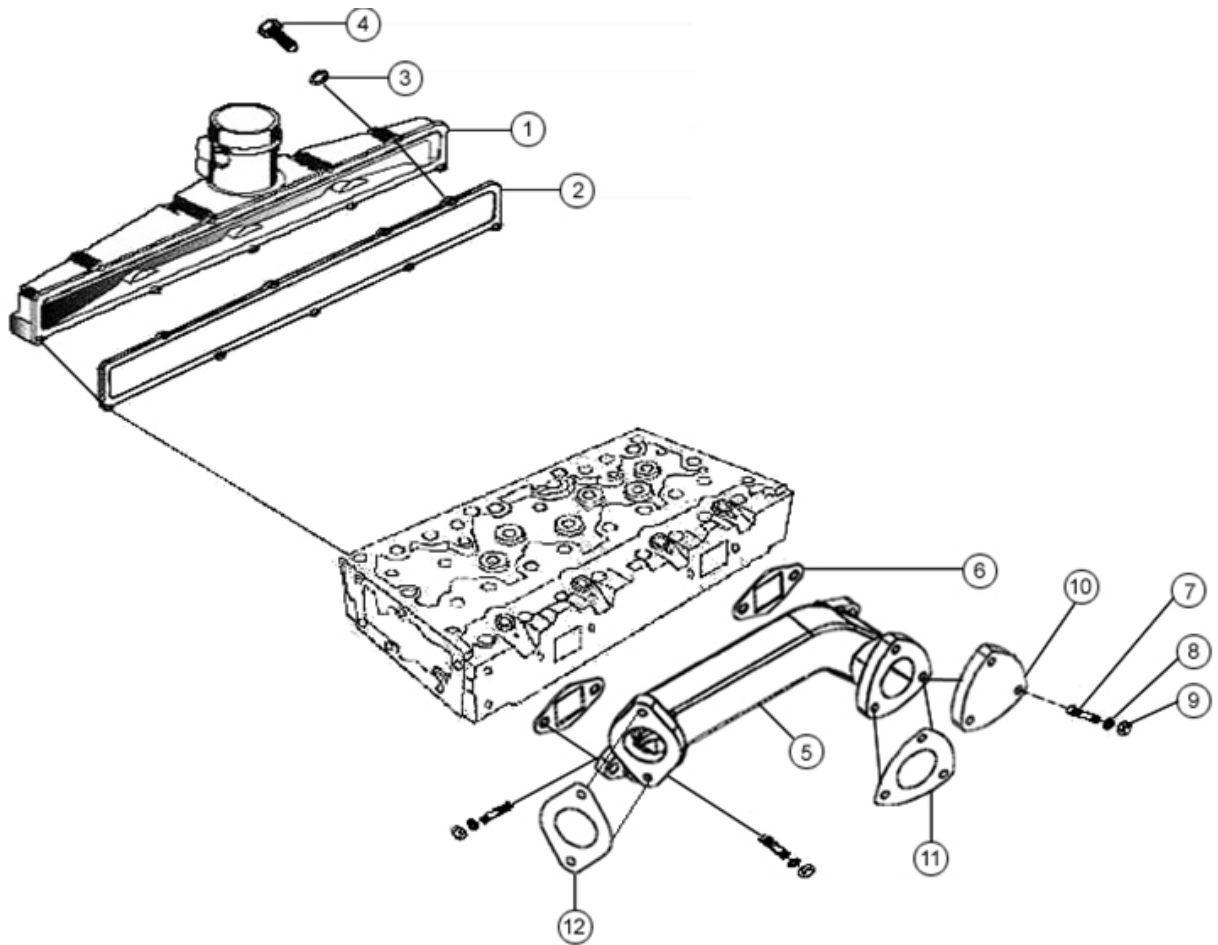


HYDRA-14-4P-2P

ENGINE		Water Pump		
S No	Part No	Description	Qty	Remarks
1	D10114990	BODY WATER PUMP E4.286	1	
2	D10055220	SEAL WATER PUMP	1	
3	D10145890	IMPELLER WATER PUMP	1	
4	D10145890	SHAFT WATER PUMP BEARING E4.286	1	
5	D10242470	PULLEY WATER PUMP E4.286 NA	1	
6	D10123410	FAN ASSEMBLY WATER COOLING DIA 380 MM	1	
7	D10211400	SPACER FAN ENGINE E4.286 NA	1	
8	D86500030	WASHER M8 SPRING LOCK	10	
9	D91500150	BOLT M8X1.25X70-8.8 HEX HEAD	4	
10	D10008920	GASKET WATER PUMP	1	
11	D10213790	PUMP ASSEMBLY WATER E4.286NA	1	
12	D81500140	BOLT M8X1.25X65-8.8 HEX HEAD	6	
13	D10139470	HUB WATER PULLEY	1	
15	D10218960	BELT DRIVE COGGED	1	

SIMPSON ENGINE

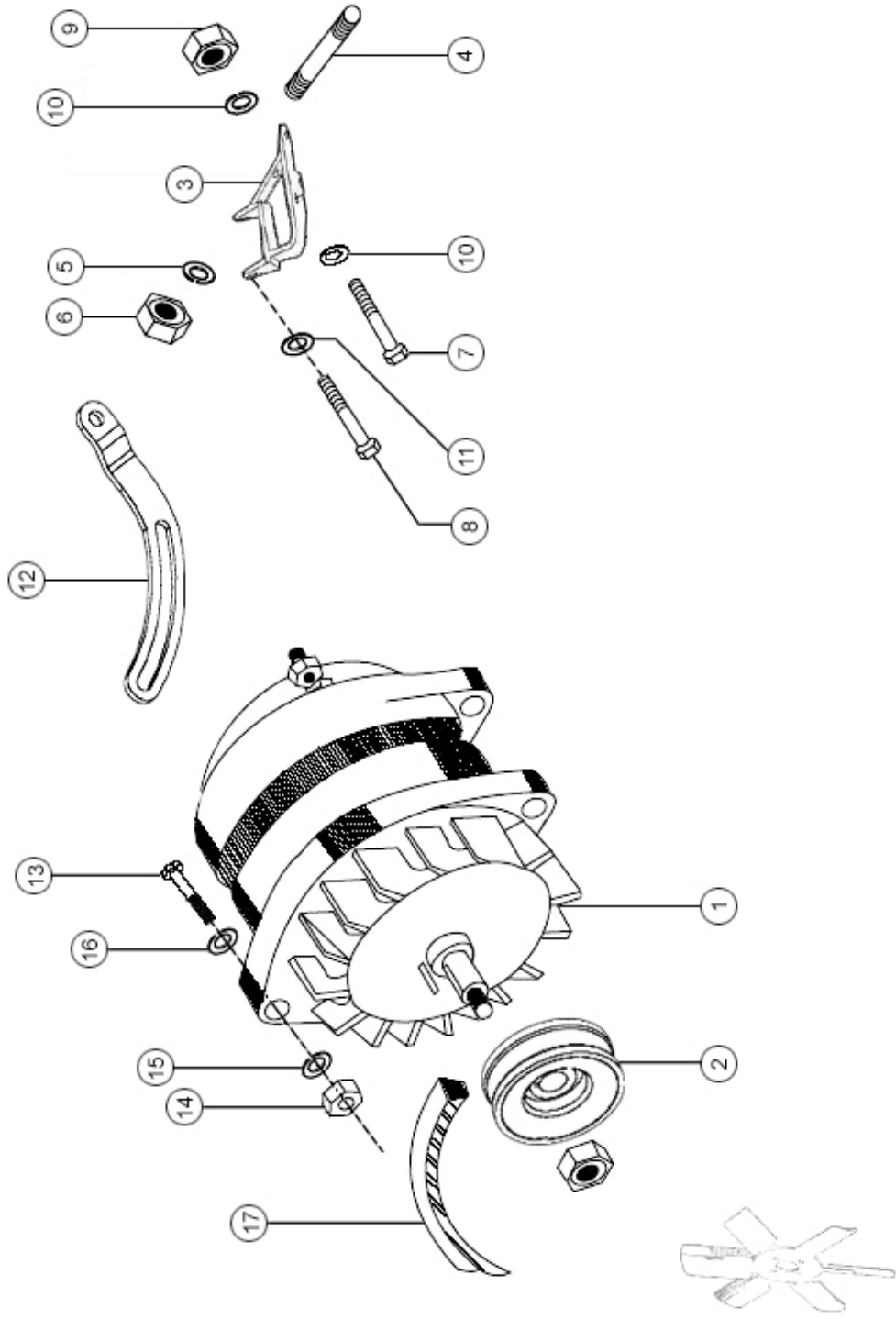
Air Induction & Exhaust System



HYDRA-14-4P-2P-SIMPSON ENGINE

Air Induction & Exhaust System				
S No	Part No	Description	Qty	Remarks
1	S4005412	Manifold Induction	1	
2	S4004902	Joint Induction Manifold To Cylinder Head	1	
3	920052	Washer Spring Induction Manifold To Cylinder	9	
4	S4007401	Setscrew, Induction Manifold To Cylinder Head	9	
5	S4005405	Manifold Exhaust	1	
6	S4004904	Gasket Exhaust Manifold To Cylinder Head	2	
7	S4008208	Stud	9	
8	92DE0873	Washer Spring Cylinder Head Stud To Exhaust manifold	9	
9	S4005703	Nut Exhaust Manifold Retaining	9	
10	S4009411	Cover Plate Exhaust Manifold Flange	1	
11	49DE0006	Gasket Exhaust Manifold Outlet Flange	1	
12	490032	Joint Exhaust Manifold Outlet Flange	1	
13	S4002412	Heat Shield	1	
14	S4008213	Stud Exhaust Manifold to Heat Shield	2	
15	920003	Plate Washer Stud to Exhaust Manifold Heat shield	2	
16	920053	Spring Washer	2	
17	S4005702	Nut Exhaust Manifold Heat Shield Stud	2	
18	15S30057	Dust Cap	1	

Alternator Mounting



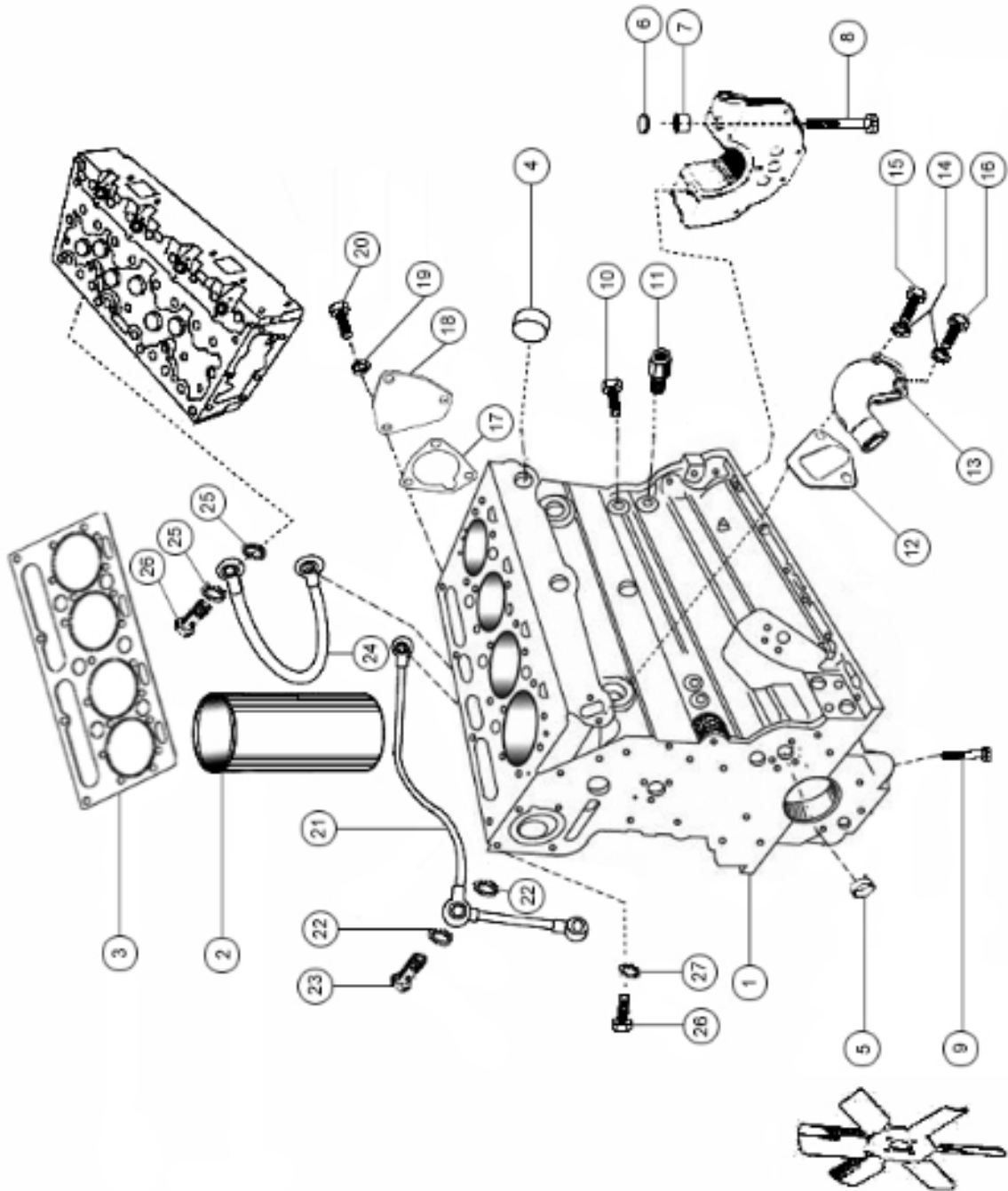
HYDRA-14-4P-2P-SIMPSON ENGINE

		Alternator Mounting		
S No	Part No	Description	Qty	Remarks
1	DE005944	Alternator (PMP 13.5 Volts 35 AMPS @ 5000rpm)	1	
2	S4006705	Pulley	1	
3	10DE0574	Bracket Alternator	1	
4	S4008213	Stud Alternator Bracket	1	
5	920053	Washer Spring	1	
6	S4005702	Nut	1	
7	74S30163	Setscrew	2	
8	74S30119	Setscrew	1	
9	S4005714	Nut	1	
10	920004	Washer Plain	2	
11	92DE0873	Washer Spring	2	
12	S4005206	Lever Alternator	1	
13	74S30123	Setscrew	1	
14	S4005710	Nut	1	
15	920003	Washer Plain	1	
16	920053	Washer Spring	1	
17	07DE0038	Fan Belt	1	

HYDRA-14-4P-2P-SIMPSON ENGINE

		Alternator Mounting		
S No	Part No	Description	Qty	Remarks
1	S4002602	Crankshaft S4 Std	1	
2	36271704	Key Crankshaft	1	
3	S4004101	Gear Crankshaft	1	
4	33176137	Washer Crankshaft Pulley Spacing	1	
5	S4006749	Pulley Crankshaft	1	
6	33125112	Washer, Crankshaft Pulley Retaining Setscrew	1	
7	S4007426	Setscrew, Crankshaft Pulley Retaining	1	
8	31137211	Washer Main Bearing Thrust – Top Std	2	
08A	31137212	Washer Main Bearing Thrust Top _ 0.007" Oversize	2	
9	31137221	Washer Main Bearing Thrust _ Bottom Std	2	
09A	31137222	Washer Main Bearing Thrust Bottom 0.007" Oversize	2	
10	S4009918	Bearings, Crankshaft Main, Complete Set Std.size	1	
10A	S4009919	Bearings, Crankshaft Main, Complete Set 0.010" Undersize	1	
10B	S4009920	Bearings, Crankshaft Main, Complete Set 0.020" Undersize	1	
10C	S4009921	Bearings, Crankshaft Main, Complete Set 0.030" Undersize	1	
11	31131171	Bearing, Connecting Rod Big End (Std)	8	
11A	31131172	Bearing, Connecting Rod Big End 0.010" Undersize	8	
11B	31131173	Bearing, Connecting Rod Big End 0.020" Undersize	8	
11C	31131174	Bearing, Connecting Rod Big End 0.030" Undersize	8	
12	SA063496	Connecting Rod Assembly With Bush, Bolt & Nut Less Bearings	4	
13	50119	Bush Connecting Rod Small End	1	
14	95250	Bolt, Connecting Rod To Cap	2	
15	33221319	Nut Connecting Rod To Cap Bolt	2	
16	99DE1369	Piston Assembly Complete With Rings,	4	
		Gudgeon Pin And Circlip less rings		
17	S4099107	Piston Rings Assembly	4	
18	OO170001	Circlip, Gudgeon Pin Retaining	8	

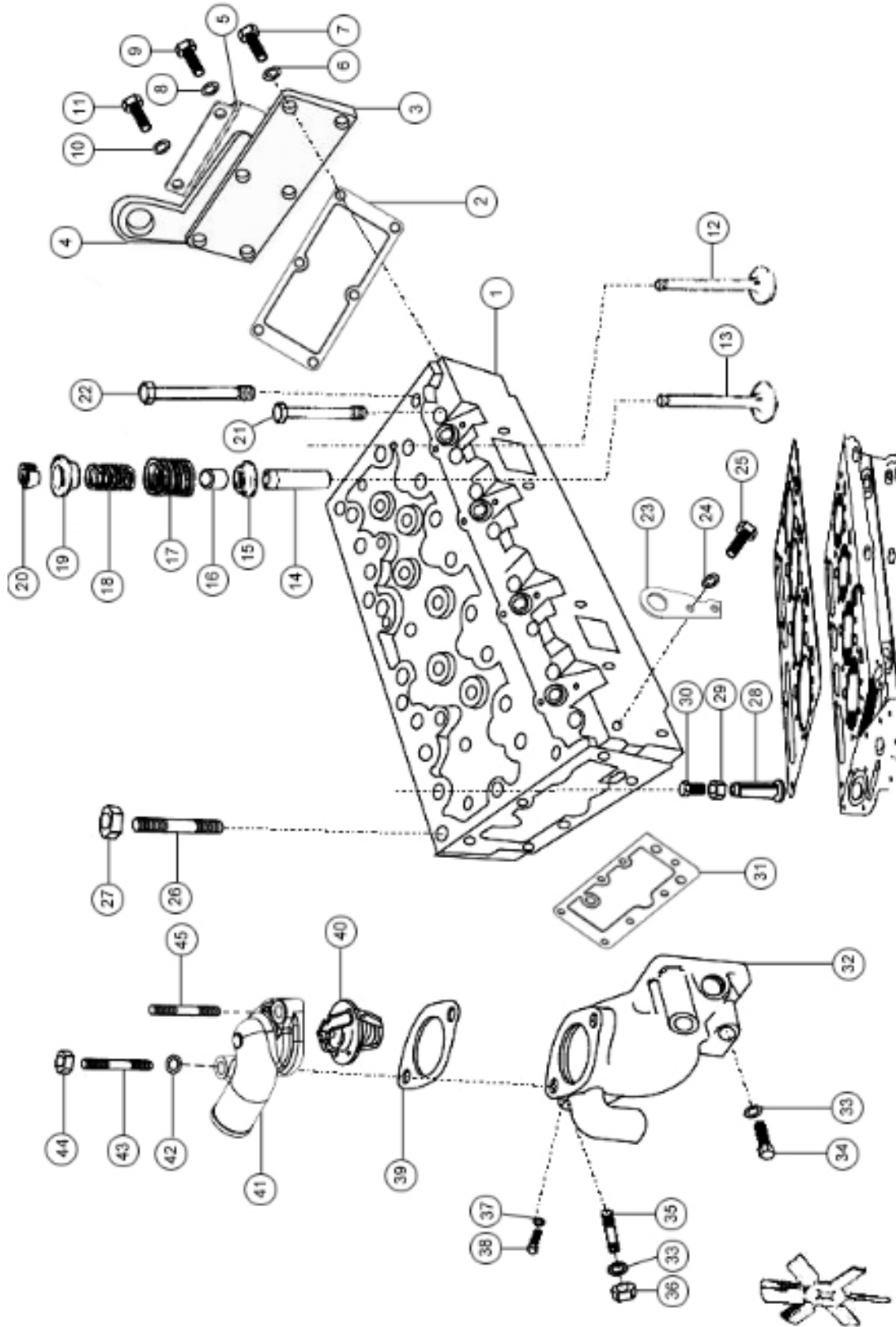
Cylinder Block



HYDRA-14-4P-2P-SIMPSON ENGINE

		Cylinder Block		
S No	Part No	Description	Qty	Remarks
	S4099201	Cylinder Block Assembly (Includes Liners, Bearing Caps & Plugs)	1	
1	S4002817	Cylinder Block(For ECEL & ACE)	1	
2	53DE0005	Liner Cylinder Block	4	
3	S4004946	Gasket Cylinder Head	1	
4	650710	Plug Cylinder Block Water Jacket	10	
5	650566	Plug Cylinder Block Pressure Rail Front And Rear	2	
6	2415608	'O' Ring Rear Bearing Cap Thimble	2	
7	870001	Thimble Crankshaft Main Bearing Cap To Block	10	
8	S4007429	Setscrew Main Bearing Cap To Cylinder Block – Rear Cap	2	
9	S4007428	Setscrew Bearing Cap To Cylinder Block	8	
10	32161114	Drain Plug Cylinder Block	1	
11	20DE0193	Adaptor Lubricating Oil Pressure Gauge Union	1	
12	S4004905	Joint Cylinder Block Water Inlet Connection	1	
13	S4002016	Connection Cylinder Block Water Inlet	1	
14	920106	Washer Copper Water Inlet Connection	2	
15	74DE0844	Setscrew Cylinder Block To Water Inlet Connection	1	
16	S4007407	Setscrew Cylinder Block To Water Inlet Body	1	
17	36862511	Joint Tachometer Blanking Plate	1	
18	94S30406	Plate Tachometer Drive Blanking	1	
19	920053	Washer Spring Tachometer Drive Blanking Plate	3	
20	74DE0844	Setscrew Cylinder Block To Tachometer Drive Blanking Plate	3	
21	S4009916	Pipe Assembly Idler Gear Camshaft	1	
22	92DE0009	Washer Banjo Bolt (Mico No. 2916710605)	4	
23	09DE0006	Bolt Banjo (Mico No. 2911201701)	2	
24	S4009917	Pipe Assembly Cam Chamber To Cylinder Head	1	
25	92DE0003	Washer Banjo Bolt (Mico.No.2916710603)	8	
26	09DE0004	Bolt Banjo (Mico.No. 2911232700)	4	
27	920003	Plate Washer Cam Chamber RH Side	2	
28	S4007432	Setscrew Cam Chamber RH Side	2	
	100041	Bracket Engine Front Mounting L.H	1	
	100042	Bracket Engine Front Mounting R.H	1	
	33DE0077	Distance Piece Front Support Bracket	1	

Cylinder Head

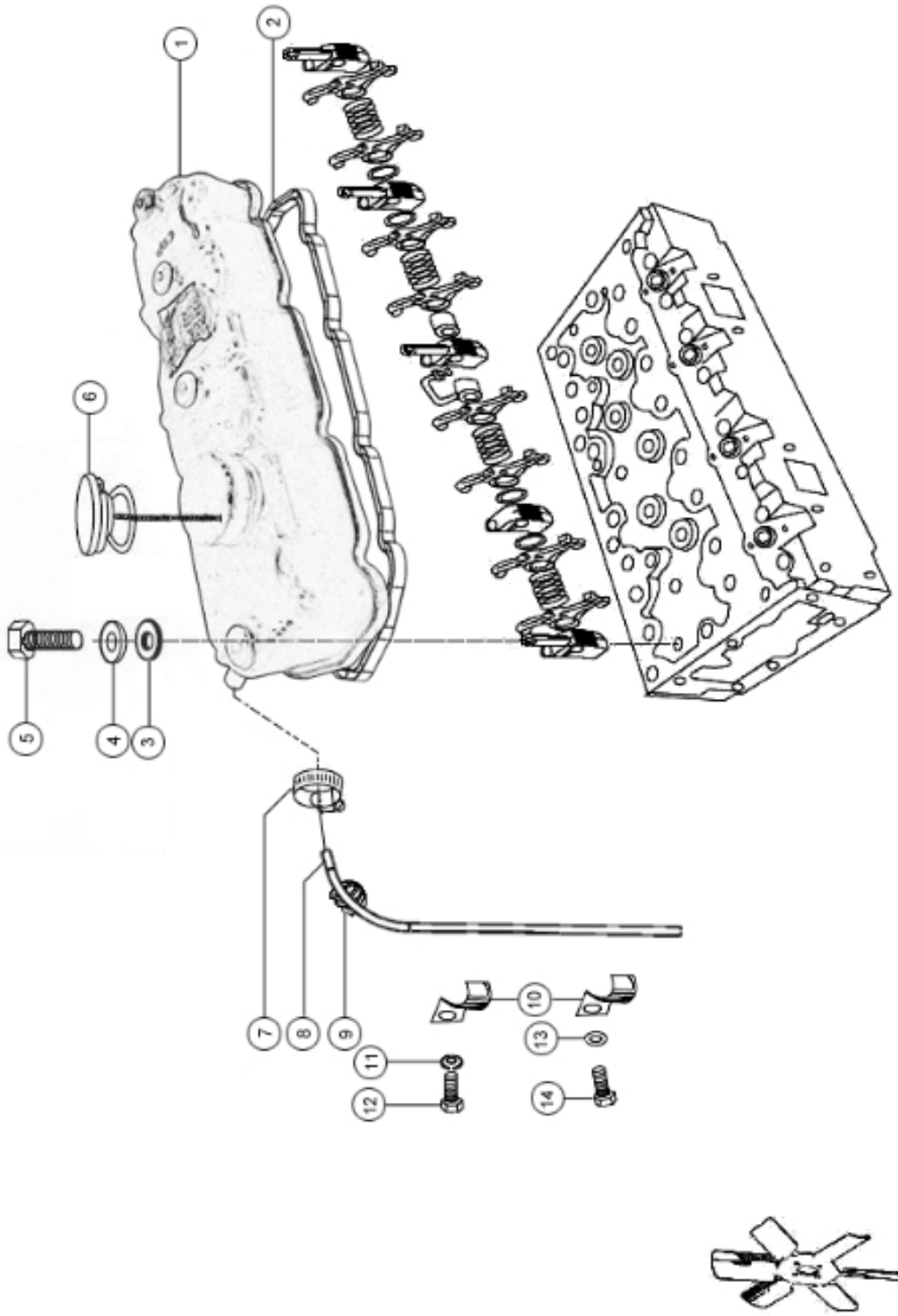


HYDRA-14-4P-2P-SIMPSON ENGINE

		Cylinder Head		
S No	Part No	Description	Qty	Remarks
	99DE1461	Cylinder Head Assembly	1	
1	S4002909	Cylinder Head	1	
2	49S30120	Joint Cylinder Head Rear End Cover Plate	1	
3	940737	Plate Cylinder Head Rear End Cover	1	
4	S4009420	Plate Engine Lifting Rear	1	
5	S4001041	Bracket Engine Lifting Plate Rear	1	
6	920053	Washer Spring Cyl.Head Rear End Cover Plate	2	
7	S4007432	Setscrew Cylinder Head Rear End Cover Plate Retaining	2	
8	92DE0873	Washer Spring Engine Rear Lifting	1	
9	S4007421	Setscrew Engine Rear Lifting Plate	1	
10	920053	Washer Spring Rear End Cover Plate	4	
11	74DE0844	Setscrew Rear End Cover Plate (Long)	4	
12	31431681	Valve Inlet	4	
13	31431011	Valve Exhaust	4	
14	33261727	Guide Exhaust And Inlet Valve	8	
15	33177518	Washer Inlet & Exhaust Valve Spring Locating	8	
16	73DE0016	Seal Inlet And Exhaust System	8	
17	780006	Spring Inlet And Exhaust Valve – Outer	8	
18	780007	Spring Inlet And Exhaust Valve – Inner	8	
19	150008	Cap Valve Spring	8	
20	230001	Cotter Valve Spring (Serviced in Pairs)	8	
21	32181457	Setscrew Cylinder Head Retaining (Short)	8	
22	32181458	Setscrew Cylinder Head Retaining (Long)	11	
23	36177106	Plate Engine Front Lifting	1	
24	92DE0873	Washer Spring Engine Front Lifting	2	
25	S4007435	Setscrew Engine Front Lifting Plate	2	
26	32524148	Stud Cylinder To Cylinder Head	4	
27	33221319	Nut Cylinder Head Retaining Stud	4	
28	860012	Tappet	8	
29	576052	Nut Tappet Adjusting	8	
30	720677	Screw Tappet Adjusting	8	
31	490024	Joint Water Outlet Body	1	
32	S4000806	Body Water Outlet	1	
33	92DE0873	Washer Spring Body Water Outlet	2	
34	S4007413	Setscrew Body Water Outlet	1	
35	S4008207	Stud Water Outlet Body To Head	1	
36	S4005703	Nut, Water Outlet Body To Head Stud	1	
37	920052	Washer Body Water Outlet	3	
38	S4007402	Setscrew Body Water Outlet	3	
39	490184	Joint Water Outlet Connection Top	1	
40	DE005287	Thermostat	1	
41	201142	Connection Cylinder Head Water Outlet	1	
42	92DE0873	Washer Spring Water Outlet Connection To Outlet Body	2	
43	S4008224	Stud Water Outlet Connection Outlet Body	1	
44	S4005703	Nut Water Outlet Connection	2	

45	S4008239	Stud Water Outlet Connection Body	1
----	----------	-----------------------------------	---

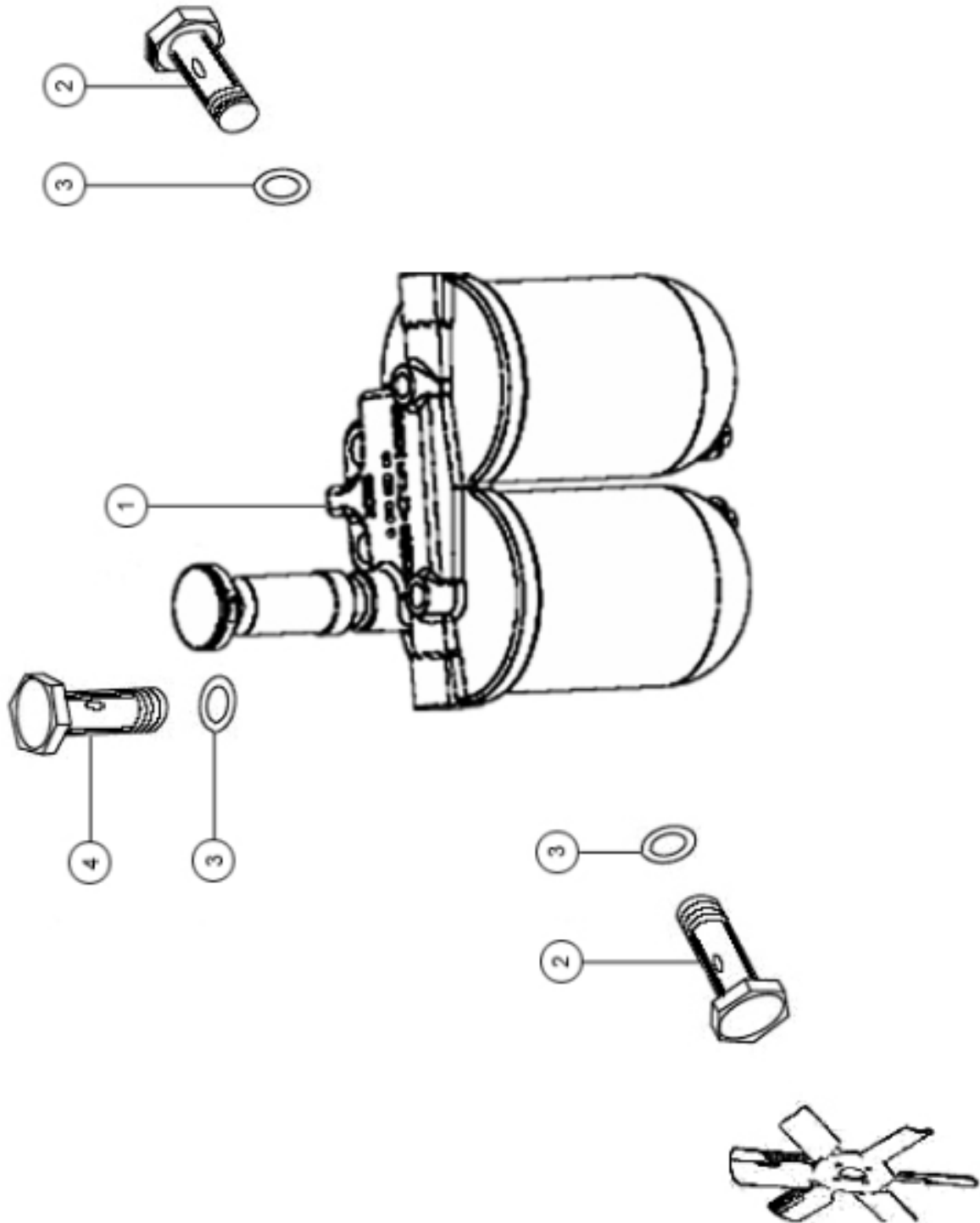
Cylinder Head Cover



HYDRA-14-4P-2P-SIMPSON ENGINE

		Cylinder Head Cover		
S No	Part No	Description	Qty	Remarks
1	S4002451	Cover Cylinder Head	1	
2	S4004965	Joint Cylinder Head Cover	1	
3	92DE0173	Rubber Seal, Cyl. Head Cover Retaining Setscrew	4	
4	920443	Washer Metallic Cylinder Head Cover Setscrew	4	
5	74DE0844	Setscrew Cylinder Head Top Cover Retaining (Four Hole Mounting)	4	
6	150060	Cap Lubricating Oil Filler Assembly	1	
7	180063	Clip Extension Hose To Cylinder Head Cover	1	
8	33872531	Pipe Breather Extension	1	
9	31754118	Coil Spring Breather Pipe Extension Insert	1	
10	180564	Clip Breather Pipe Support	2	
11	920053	Washer Spring Setscrew Breather Pipe Clip Support	1	
12	S4007432	Setscrew Clip Breather Pipe Support	1	
13	920052	Washer Spring Setscrew Breather Pipe Clip Support	1	
14	S4007402	Setscrew Clip Breather Pipe Support (Lower)	1	

Duel Fuel Filter (0.5 ltr)



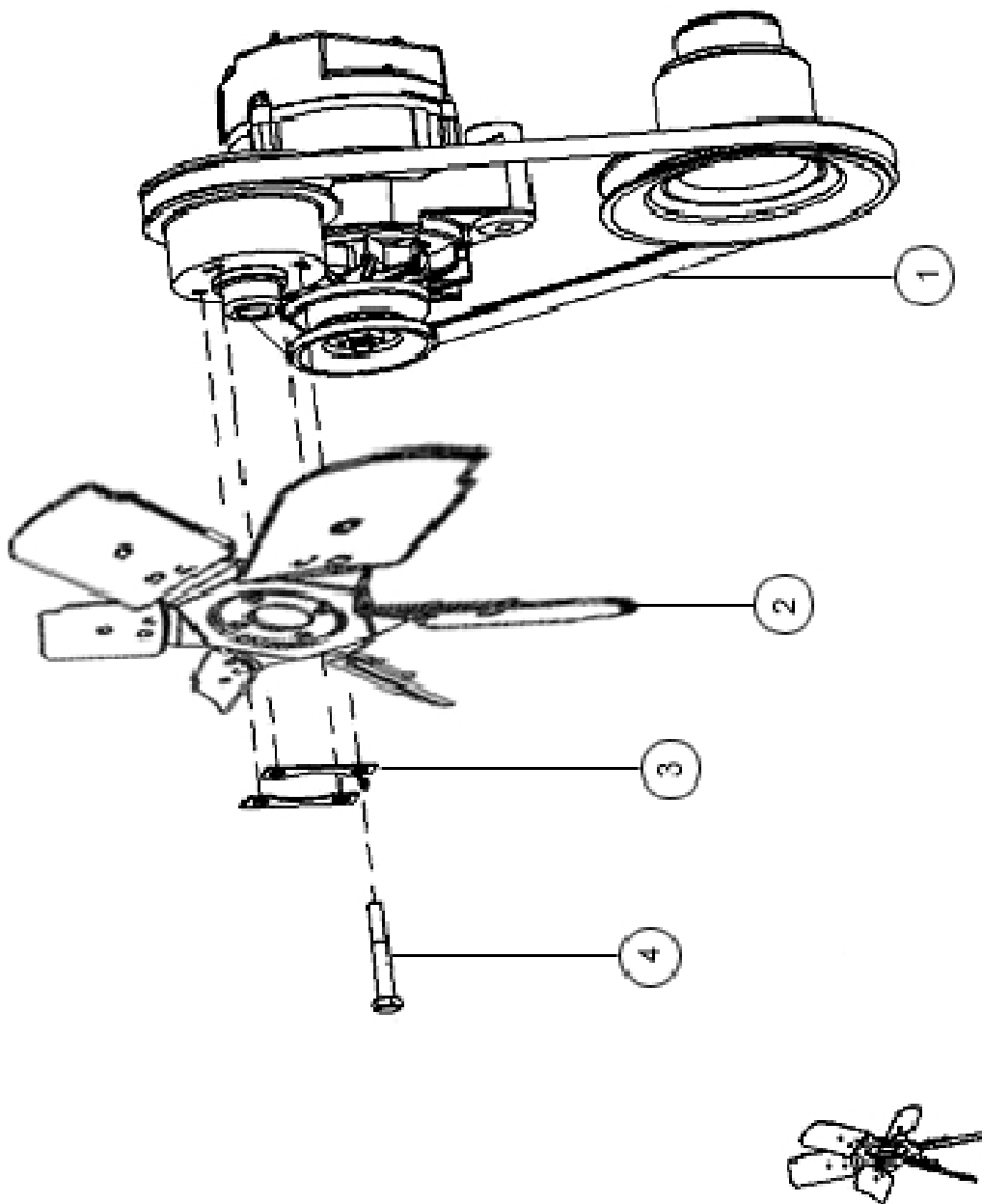
HYDRA-14-4P-2P-SIMPSON ENGINE

Duel Fuel Filter (0.5 ltr)				
S No	Part No	Description	Qty	Remarks
1	DE005021	Dual Filter Fuel Oil (Mico.No. F002H20132) (With Line Hand Primer)	1	
2	09DE0005	Bolt Banjo (Mico.No. 9411033404)	2	
3	92DE0011	Washer Banjo Bolt (Mico.No. 2916710609)	5	
4	65DE0007	Plug Fuel Filtler (Mico.No. 2911271701)	1	
5	DF000003	Primary Filter Element	1	
6	DF000406	Secondary Filter Element	1	
*	DF034068	Filter Kit (Both Element, lub oil filter & o-Rings)	1	

***O-Ring of filter not supply separately.**

****Filter Kit contains Both filter Element (Primery & Secondary), Lub oil filter & O-Ring.**

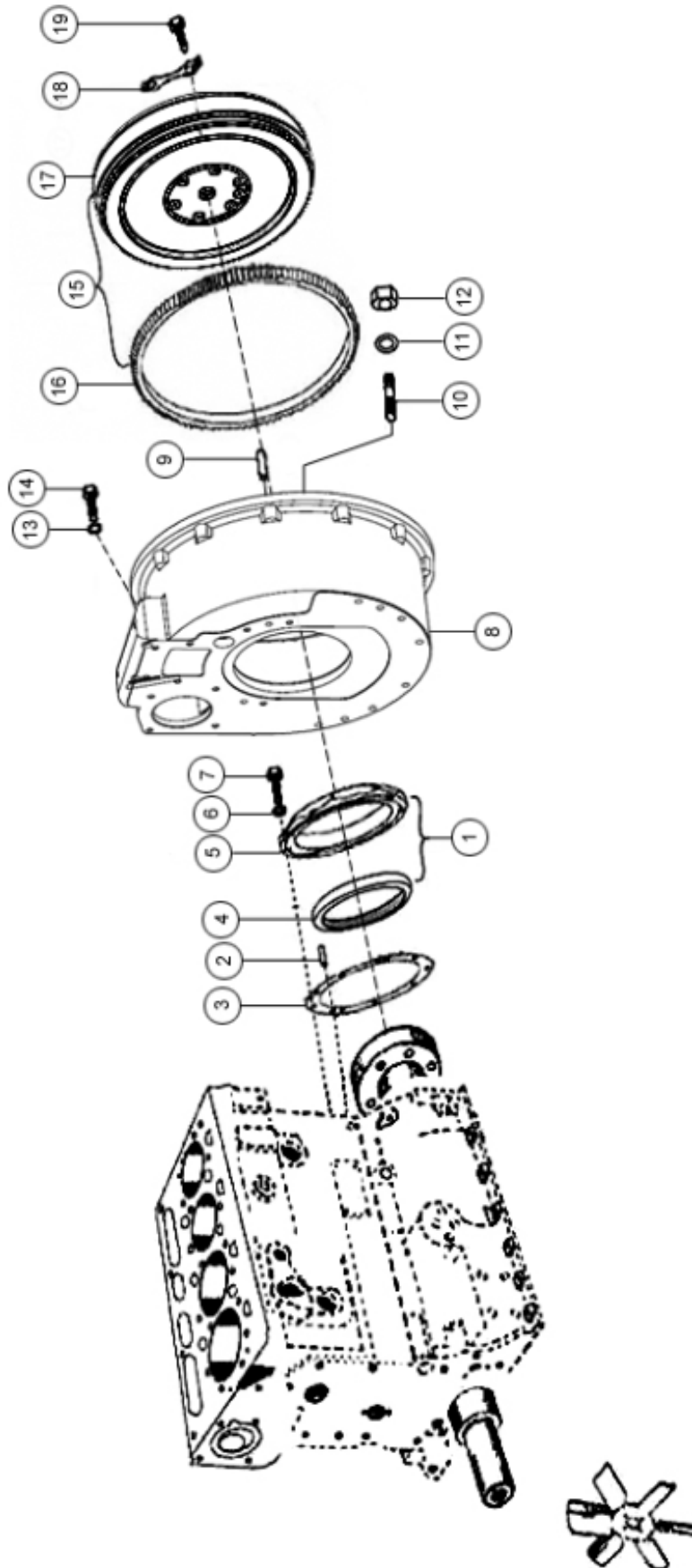
Fan Assembly



HYDRA-14-4P-2P-SIMPSON ENGINE

		Fan Assembly		
S No	Part No	Description	Qty	Remarks
1	07DE0003	Belt Water Pump Driving	1	
2	360084	Fan Assembly (17" Dia. Puller)	1	
3	920645	Washer Tab Fan To Water Pump Pulley Setscrew	2	
4	S4007403	Setscrew	4	

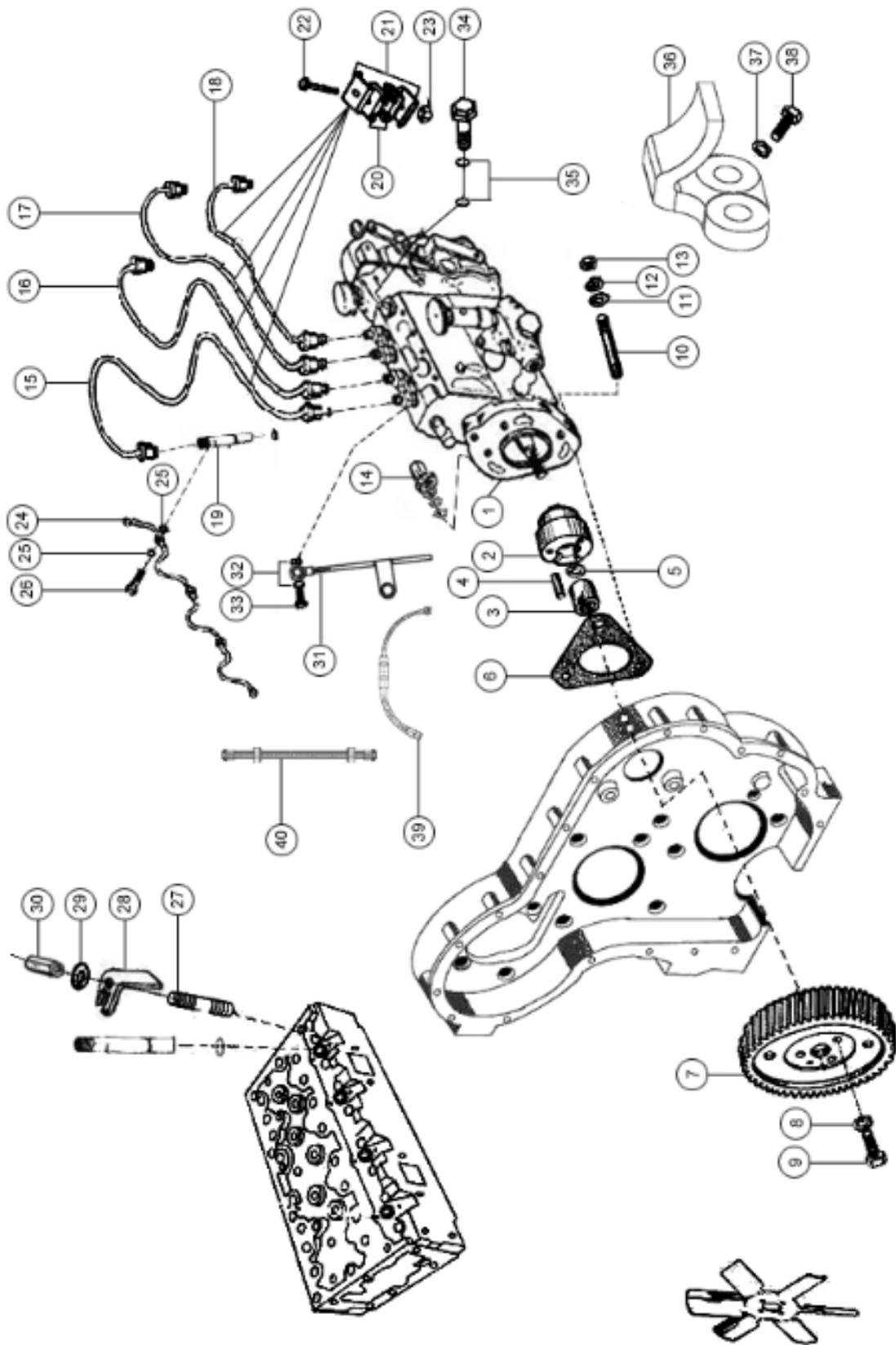
Flywheel Housing Rear End Oil Seal



HYDRA-14-4P-2P-SIMPSON ENGINE

Flywheel Housing Rear End Oil Seal				
S No	Part No	Description	Qty	Remarks
1	SA094885	Housing Crankshaft Rear End Oil Seal Assembly	1	
2	350015	Dowel Cylinder Block To Oil Seal Housing	2	
3	49S30119	Joint Rear End Oil Seal Housing To Cylinder Block	1	
4	73DE0014	Seal Crankshaft Rear End	1	
5	37424611	Housing Rear End Oil	1	
6	920053	Washer Spring Oil Seal Housing To Cylinder Block	9	
7	74DE0844	Setscrew Oil Seal Housing To Cylinder Block	9	
8	S4004405	Fly Wheel Housing	1	
9	S4003503	Dowel Cylinder Block To Adaptor Plate	2	
10	S4008210	Stud Adaptor Plate To Cylinder Block	6	
11	92DE0873	Washer Adaptor Plate Stud	6	
12	S4005703	Nut Adaptor Plate Stud	6	
13	92DE0873	Spring Washer	2	
14	S4007415	Setscrew	2	
15	99DE0847	Flywheel & Starter Ring Assembly	1	
16	410264	Ring Starter	1	
17	40DE0074	Flywheel	1	
18	921062	Washer Tab Flywheel To Crankshaft Setscrew	3	
19	S4007443	Setscrew Flywheel To Crankshaft	6	

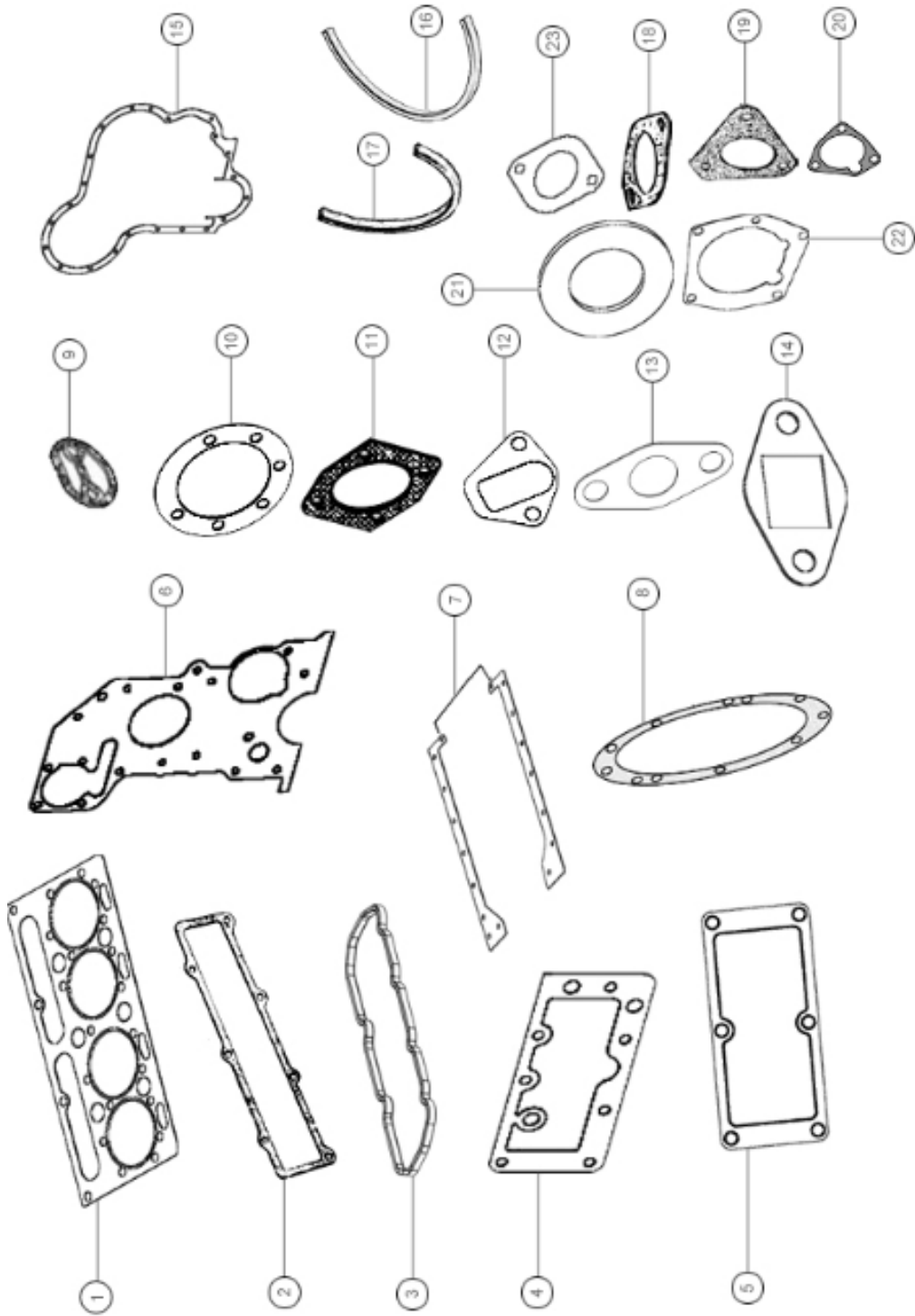
Fuel Injection Pump



HYDRA-14-4P-2P-SIMPSON ENGINE

Fuel Injection Pump				
S No	Part No	Description	Qty	Remarks
1	DE006137	Fuel Injection Equipment (Bosch.No.F002A0Z839)	1	
2	S4003804	Adaptor Fuel Injection Pump Gear	1	
3	***	Connection Nut	1	
4	2116078	Dowel, Drive Gear Locating	1	
5	***	Washer	1	
6	S4004921	Joint Fuel Pump To Timing Case	1	
7	S4004114	Gear Fuel Pump Drive	1	
8	920053	Washer Spring Gear Fuel Pump Drive retaining setscrew	3	
9	S4007403	Setscrew, Fuel Pump Adaptor To Pump	3	
10	S4008215	Stud, Timing Case To Fuel Injection Pump	3	
11	920003	Washer Plain Fuel Injection Pump Retaining Nut	3	
12	920053	Washer Spring Fuel Injection Pump Retaining Nut	3	
13	S4005702	Nut Fuel Injection Pump Retaining	2	
14	S4005707	Nut Fuel Injection Pump Retaining	1	
15	S4099304	HPP No.1 For BSIII/CEV-ECEL	1	
16	S4099305	HPP No.2 For BSIII/CEV-ECEL	1	
17	S4099306	HPP No.3 For BSIII/CEV-ECEL	1	
18	S4099307	HPP No.4 For BSIII/CEV-ECEL	1	
19	DE006138	Nozzle And Holder Assembly(Mico No.F002 C7Z 207)	4	
20	36511123	Plate Fuel Injection Pipe Vibration Damper Retaining	8	
21	36844116	Damper Fuel Injection Pipe Damper	4	
22	2182008	Screw Fuel Injection Pipe Damper	3	
23	571350	Nut Fuel Injection Pipe Damper Screw	3	
24	S4099180	Pipe Assy Main Leak Off Pipe	1	
25	92DE0003	Washer Banjo Bolt (Mico.No. 2916710603)	8	
26	09DE0004	Bolt Banjo	4	
27	S4008216	Stud Atomizer Retaining	8	
28	10DE0546	Bracket Nozzle Holder	4	
29	920003	Washer Atomizer Retaining Stud	8	
30	S4005718	Nut, Atomizer Retaining For Inner Stud	8	
31	S4099163	Pipe FIP Drain Assembly	1	
32	92DE0009	Washer, Banjo Bolt (Mico.No. 2916710609)	2	
33	09DE0006	Banjo Bolt	1	
34	DE005143	Relief Valve Assembly(Mico.No.9451037430)	1	
35	92DE0011	Washer Relief valve Assembly.	2	
36	S4001009	Bracket Fuel Injection Pump Support	1	
37	92DE0873	Washer Spring Fuel Injection Pump Support	2	
38	S4007413	Setscrew Fuel Injection Pump Support Bracket	2	
39	99DE0743	Pipe Assy FIP Return to Tank	1	
40	99S30733	Pipe flexible Atomiser Leak off to FIP	1	

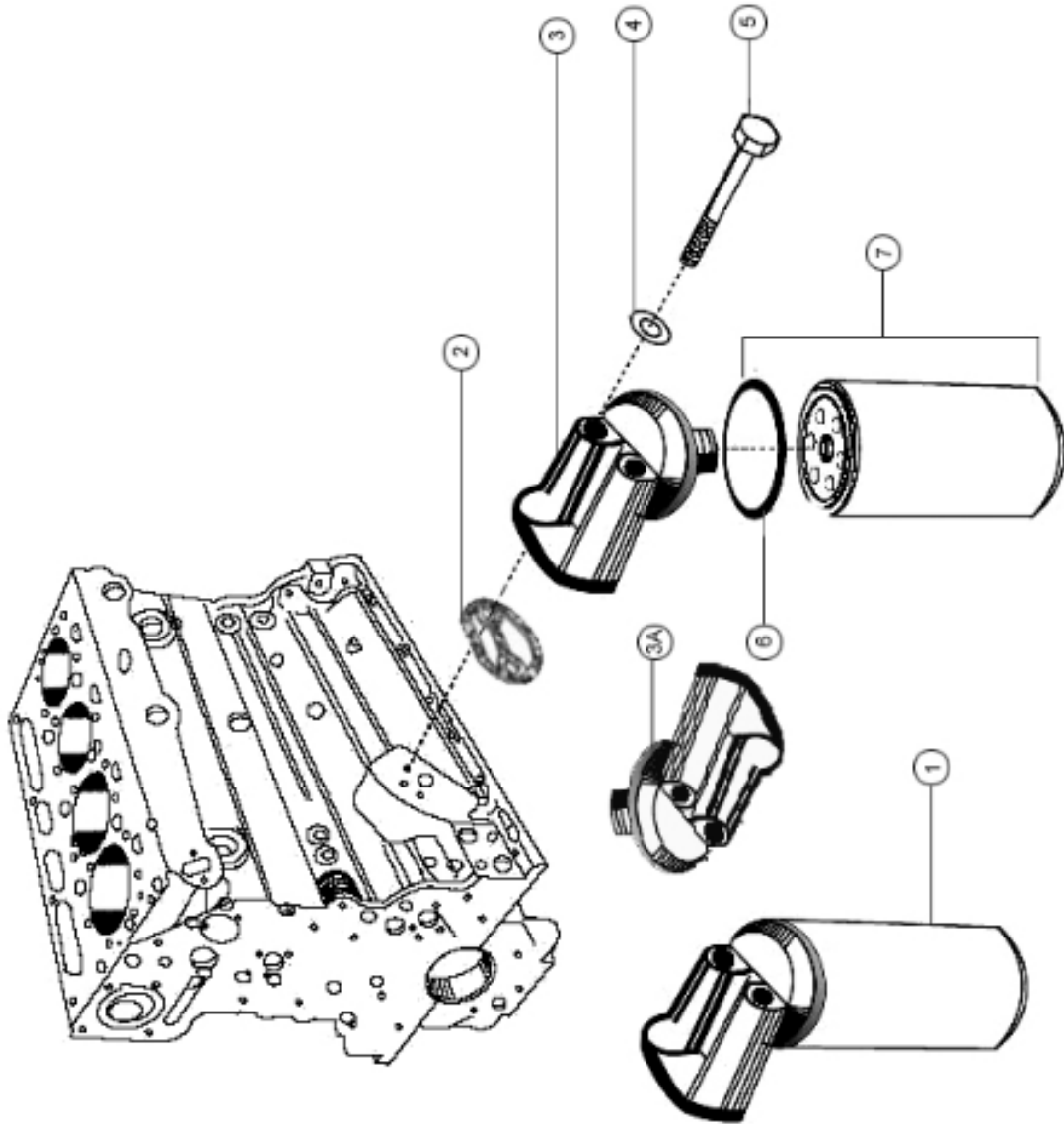
Joints & Gaskets



HYDRA-14-4P-2P-SIMPSON ENGINE

		Joints & Gaskets		
S No	Part No	Description	Qty	Remarks
1	S4004946	Gasket Cylinder Head	1	
2	S4004902	Joint Induction Manifold To Cylinder Head	1	
3	S4004965	Joint Cylinder Head Cover	1	
4	490024	Joint Cylinder Head Water Outlet Body	1	
5	49S30120	Joint Cylinder Head Rear End Cover	1	
6	S4004908	Joint Timing Case To Cylinder Block	1	
7	S4004901	Joint Sump To Cylinder Block Assembly	1 Pair	
8	49S30119	Joint Rear End Housing To Cylinder Block	1	
9	49S30123	Joint Cylinder Block To Lubricating Oil Filter	1	
10	49SG3034	Joint L.O Filler To Timing Case Cover	1	
11	49S30121	Joint Water Pump Back Plate	1	
12	S4004905	Joint Cylinder Block Water Inlet Connection	1	
13	490016	Joint Lubricating Oil Suction Pipe Flange To Lubricating Oil Pump	1	
14	S4004904	Gasket Exhaust Manifold To Cylinder Head	2	
15	S4004911	Joint Front Cover To Timing Case	1	
16	49S30105	Joint Sump To Cylinder Block Rear	1	
17	49S30081	Joint Sump To Cylinder Block Front	1	
18	OO490184	Joint Water Outlet Connection Top	1	
19	S4004921	Joint Fuel Injection Pump To Timing Case	1	
20	36862511	Joint Tachometer Blanking Plate	1	
21	S4004945	Joint Compressor Boss (T/C)	1	
22	S4004916	Joint P.T.O Blanking Plate	1	
23	490032	Joint Ex. Manifold Outlet Flange (2 - Holes)	1	

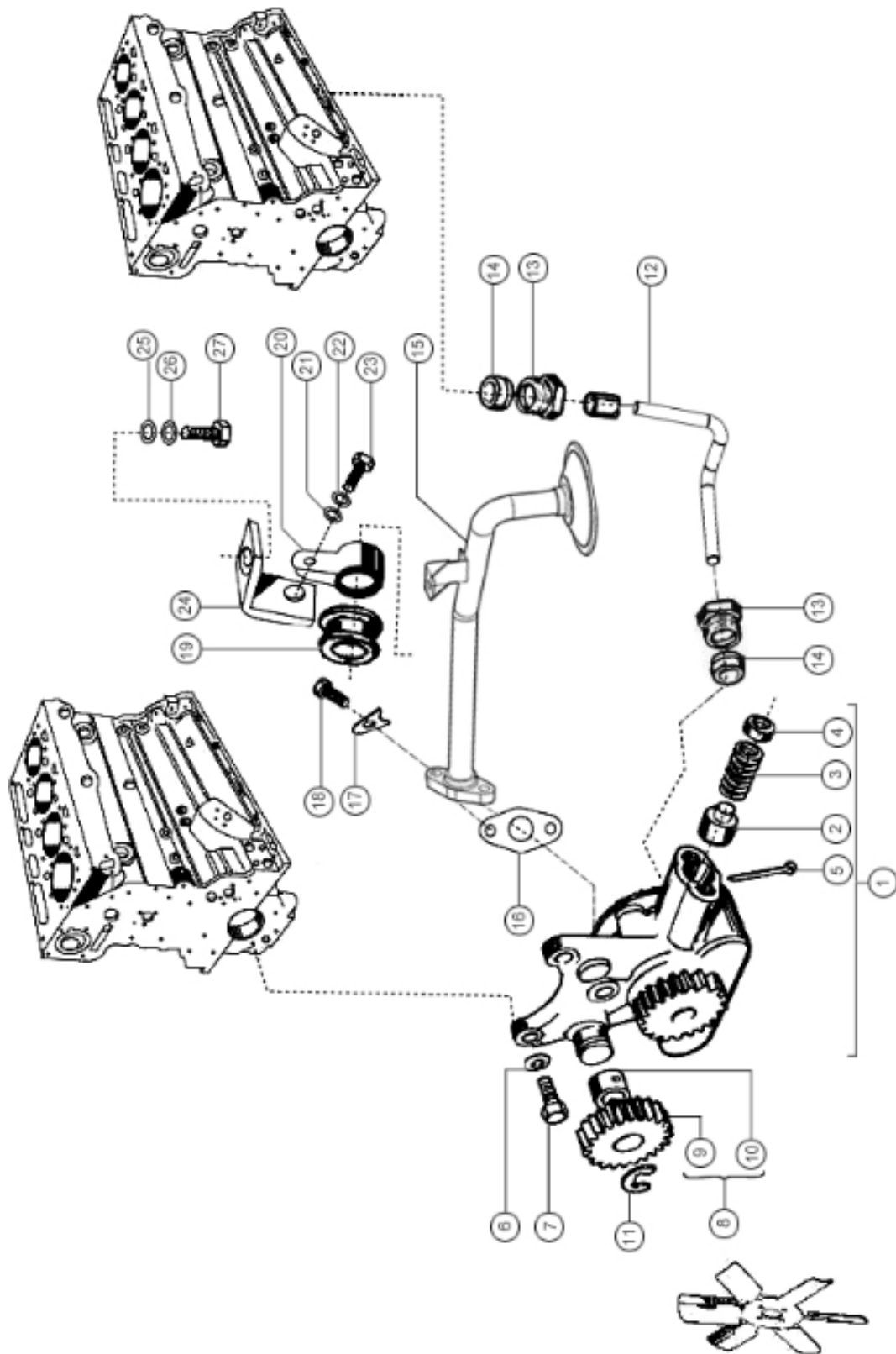
Lubricating Oil Filter



HYDRA-14-4P-2P-SIMPSON ENGINE

Lubricating Oil Filter				
S No	Part No	Description	Qty	Remarks
1	DE005501	Lubricating Oil Filter Assembly Canister Type (Includes Sl.No. 03 & 07)	1	
2	49S30123	Joint Cylinder Block to Lubricating Oil Filter	1	
3	37764251	Head Lubricating Oil Filter Assembly	1	
03A	S4099129	Head Lub.oil Filter Inverted	1	
4	92DE0023	Washer Plain to Setscrew	2	
5	S4007415	Setscrew Lubricating Oil Filter Head to Cylinder Block	2	
6	DE005264	'O' Ring Lubricating Oil Filter (Supplied With Filter Assembly)	1	
7	2654408	Lub Oil Filter Lubricating Oil (Canister)	1	

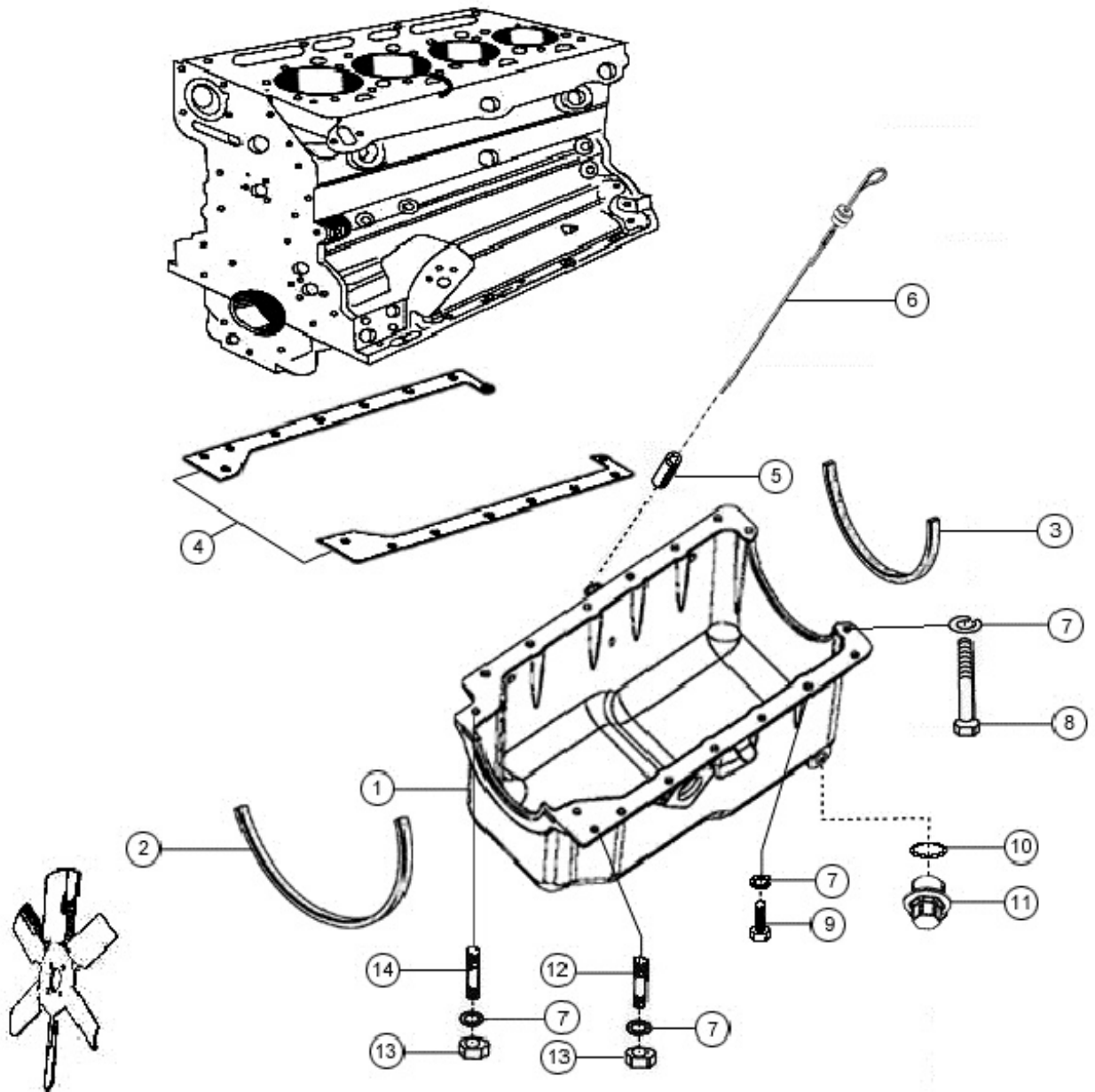
Lubricating Oil Pump



HYDRA-14-4P-2P-SIMPSON ENGINE

Lubricating Oil Pump				
S No	Part No	Description	Qty	Remarks
1	S4099141	Pump Lubricating Oil Assembly (Flanged Type)	1	
2	32712715	Plunger	1	
3	31742128	Spring lub oil relief valve	1	
4	33157122	Cap, Spring Retaining	1	
5	610011	Split Pin	1	
6	920053	Washer Spring, Lub.Oil Pump Assy To Front Bearing Cap Setscrew	3	
7	74S30121	Setscrew Lubricating Oil Pump Assembly To Front Bearing Cap	3	
8	S4009905	Lubricating Oil Pump Idler Gear Assembly	1	
9	S4004106	Gear Lubricating Oil Pump Idler	1	
10	50265	Bush Pump Idler Gear	1	
11	180831	Circlip, Pump Idler Gear Retaining	1	
12	S4006203	Pipe, Lubricating Oil Delivery, Pump To Cylinder Block	1	
13	S4005711	Gland Nut Lubricating Oil Pump And Delivery Pipe	2	
14	560244	Olive, Lubricating Oil Delivery Pipe	2	
15	S4099137	Pipe Lubricating Oil Suction Assembly – Flange Type	1	
16	490016	Joint Lubricating, Oil Suction Pipe Flange To Pump	1	
17	920798	Washer Tab Lub Oil Suction Pipe Flange	2	
18	S4007403	Setscrew Suction Pipe To Oil Pump	2	
19	33817309	Bush, Suction Pipe Clamping Clip	1	
20	36631119	Clip, Suction Pipe Clamping Support Bracket	1	
21	920002	Washer Plain, Suction Pipe Clamping Setscrew	1	
22	920052	Washer Spring, Suction Pipe Clamping Setscrew	1	
23	S4007418	Setscrew, Suction Pipe Clamping	1	
24	99S30482	Bracket, Suction Pipe Support Bearing Cap Assembly	1	
25	92S30109	Washer Plain, Lubricating Oil Suction Pipe Bracket To Main Brg. Cap	1	
26	920052	Washer Spring, Lubricating Oil Suction Pipe Bracket To Main Brg Cap	1	
27	S4007418	Setscrew Lubricating Oil Suction Pipe Bracket To Main Bearing Cap	1	

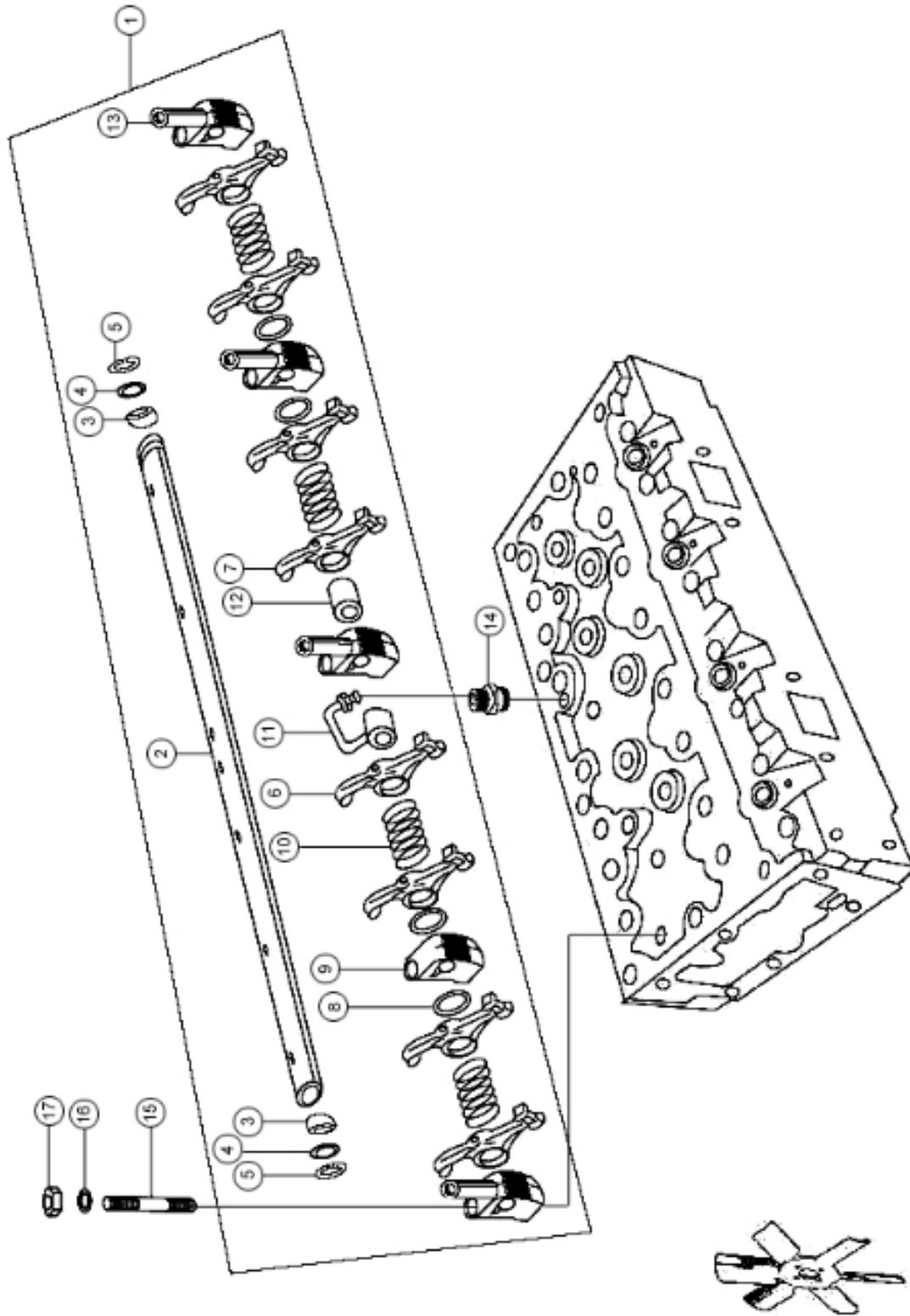
Lubricating Oil Sump



HYDRA-14-4P-2P-SIMPSON ENGINE

Lubricating Oil Sump				
S No	Part No	Description	Qty	Remarks
1	S4008305	Sump Lubricating Oil	1	
2	49S30081	Joint Sump To Cylinder Block – Front	1	
3	49S30105	Joint Sump To Cylinder Block – Rear	1	
4	S4004901	Joint Lubricating Oil Sump To Block Assembly	1	
5	S4009944	Tube Lubricating Oil Sump Dipstick	1	
6	S4003207	Dipstick Lubricating Oil Sump Assembly	1	
7	920053	Washer Spring, Lub. Oil Sump To Cylinder Block Rear Hole Setscrews	14	
8	S4007471	Setscrew Lubricating Oil Sump To Cylinder Block Rear Holes	2	
9	S4007470	Setscrew Lubricating Oil Sump To Cylinder Block	12	
10	73S30025	'O' Ring	1	
11	65S30050	Plug Sump Drain	1	
12	S4008212	Stud Cylinder Block To Sump	2	
13	S4005702	Nut Cylinder Block To Sump Stud	3	
14	S4008244	Stud Cylinder Block To Sump Stud	1	

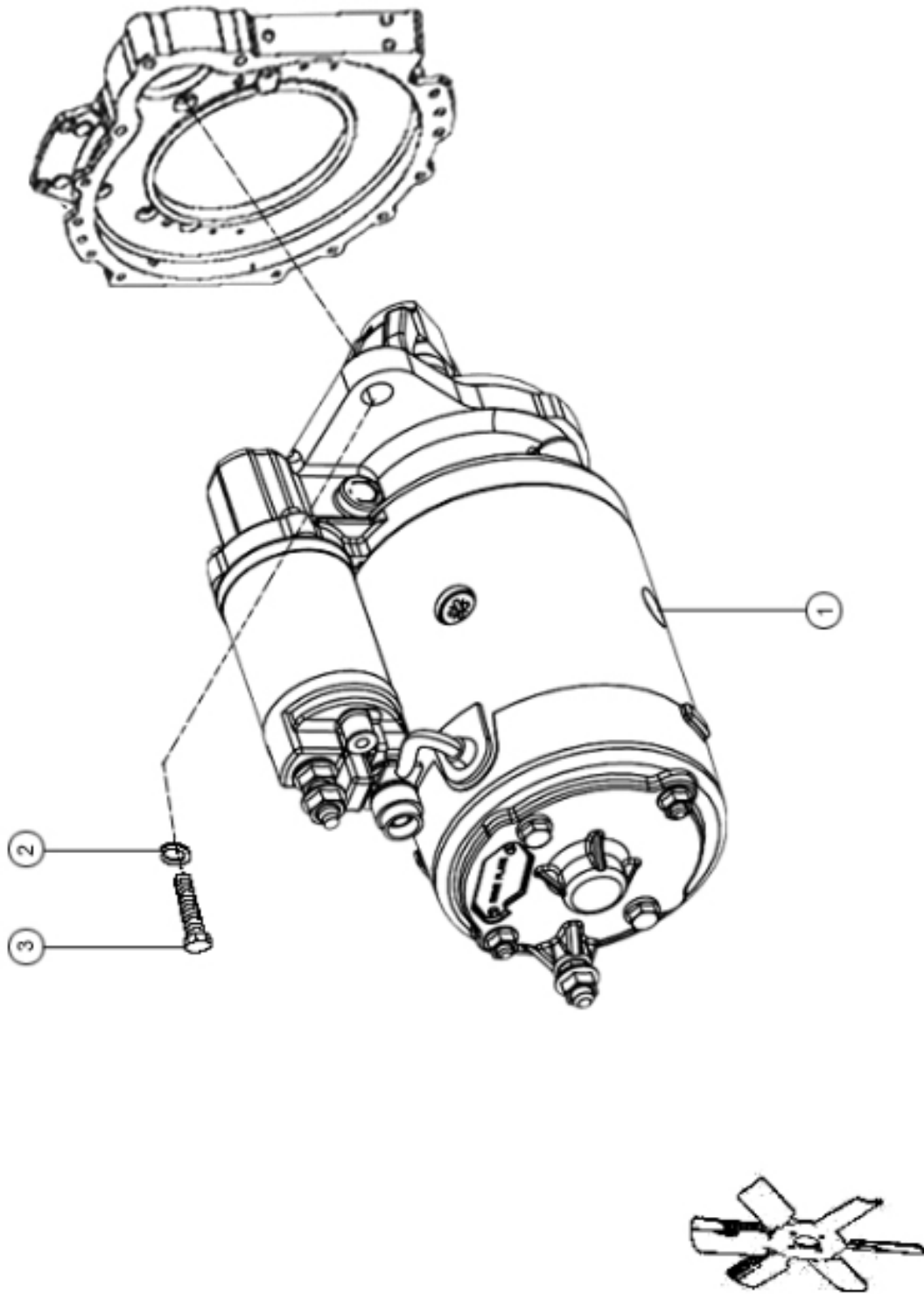
Rocker Shaft Assembly



HYDRA-14-4P-2P-SIMPSON ENGINE

Rocker Shaft Assembly				
S No	Part No	Description	Qty	Remarks
1	S4099226	Rocket Shaft Assembly (with modified bracket)	1	
2	750143	Shaft Rocker	1	
3	650507	Plug Rocker Shaft End	2	
4	760001	Shim Rocker Shaft	4	
5	170033	Circlip Rocker Shaft Locating	2	
6	41151446	Lever Rocker R.H. Assembly Inclusive Of Bush	3	
7	41151447	Lever Rocker L.H. Assembly Inclusive Of Bush	3	
8	330517	Distance Piece Rocker Lever (Short)	4	
9	10S30289	Bracket Rocker Shaft	1	
10	780009	Spring Rocker Shaft	4	
11	S4009907	Pipe Rocker Shaft Oil Feed	1	
12	330510	Distance Piece Rocker Lever (Long)	1	
13	10S30539	Bracket Rocker Shaft	4	
14	S4002005	Union Rocker Shaft Oil Feed Pipe	1	
15	S4008220	Stud Rocker Shaft Bracket	5	
16	920004	Washer Rocker Shaft Bracket Retaining	5	
17	S4005703	Nut Rocker Shaft Bracket Retaining	5	

Starter Motor

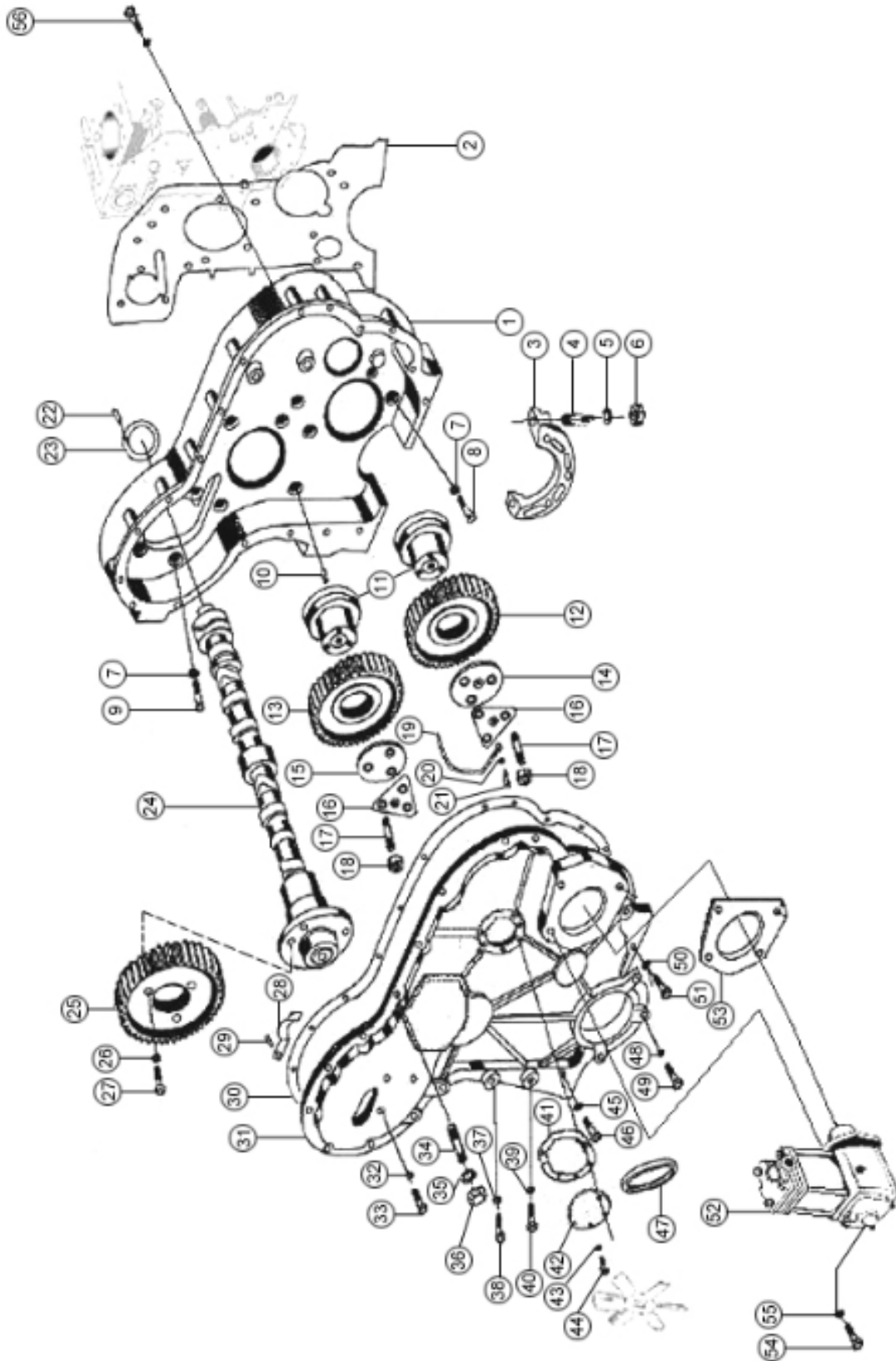


HYDRA-14-4P-2P-SIMPSON ENGINE

		Starter Motor		
S No	Part No	Description	Qty	Remarks
1	DE006050	Starter Motor (M14 – 12V 26024334A)	1	
2	920053	Spring Washer	3	
3	74DE0003	Setscrew Starter Motor To Flywheel Housing	3	
4*	M14-12V-26024334A	Starter Motor Self	1	

- **Starter Motor is part of LUCAS TVS and LUCAS TVS service this part separately.**

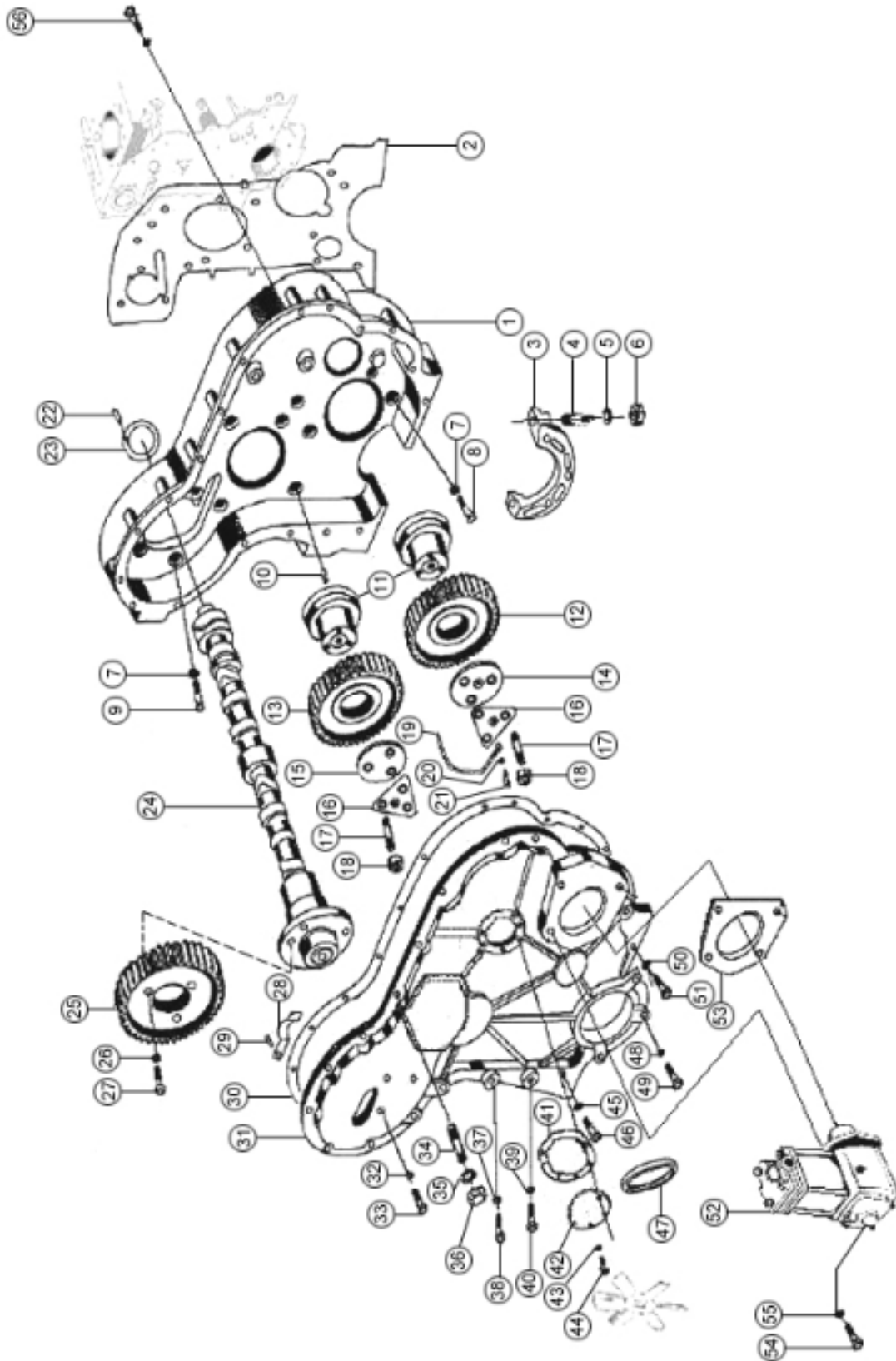
Timing Gear & Camshaft



HYDRA-14-4P-2P-SIMPSON ENGINE

Timing Gear & Camshaft				
S No	Part No	Description	Qty	Remarks
1	S4004438	Timing Case	1	
2	S4004908	Joint Timing Case To Cylinder Block	1	
3	24S30111	Cover Timing Case Bottom (Bridge Piece)	1	
4	S4008214	Stud Timing Case Bottom Cover Retaining	2	
5	920053	Washer Spring Bottom Cover Retaining Stud	2	
6	S4005702	Nut Bottom Cover Retaining Stud	2	
7	920053	Washer Spring Timing Case Retaining Setscrew	14	
8	S4007403	Setscrew Timing Case To Cylinder Block	10	
9	74S30121	Setscrew Timing Case To Cylinder Block – Thin Head	4	
10	350016	Dowel Timing Case To Cylinder Block	2	
11	S4004501	Hub Idler	2	
12	S4004121	Gear Idler Lower Assembly	1	
13	S4004103	Gear Idler Upper	1	
14	S4009404	Plate Idler Gear Retaining	1	
15	S4009401	Plate Idler Gear Retaining	1	
16	S4009201	Washer Tab Idler Gear Hub	2	
17	S4008206	Stud Idler Gear Hub	6	
18	S4005703	Nut Idler Gear Retaining	6	
19	S4009906	Lub. Oil Pump Idler Assembly	1	
20	S4009201	Washer Banjo Bolt	2	
21	S4000901	Banjo Bolt	1	
22	S4006101	Pin Thrust Cam Shaft	1	
23	S4009403	Washer Camshaft Thrust	1	
24	S4001401	Camshaft	1	
25	S4004105	Gear Camshaft	1	
26	920053	Washer Spring Camshaft Gear Retaining	3	
27	74DE0844	Setscrew Gear To Camshaft	3	
28	780067	Spring Camshaft Thrust	1	
29	690073	Rivet Camshaft Thrust Spring	1	
30	S4004911	Joint Timing Case Cover	1	
	99DE1517	Cover Timing Case Front Assembly (Includes Thrust spring & seal)	1	
31	S4002448	Timing case cover	1	
32	920003	Washer Timing Case Cover Retaining	1	
33	S4007410	Setscrew Timing Case Cover To Timing Case	5	
34	S4008213	Stud	1	
35	920053	Spring Washer	1	
36	S4005702	Nut	1	
37	920053	Washer Spring Timing Cover Retaining	1	
38	S4007407	Setscrew Timing Case Cover To Timing Case	1	

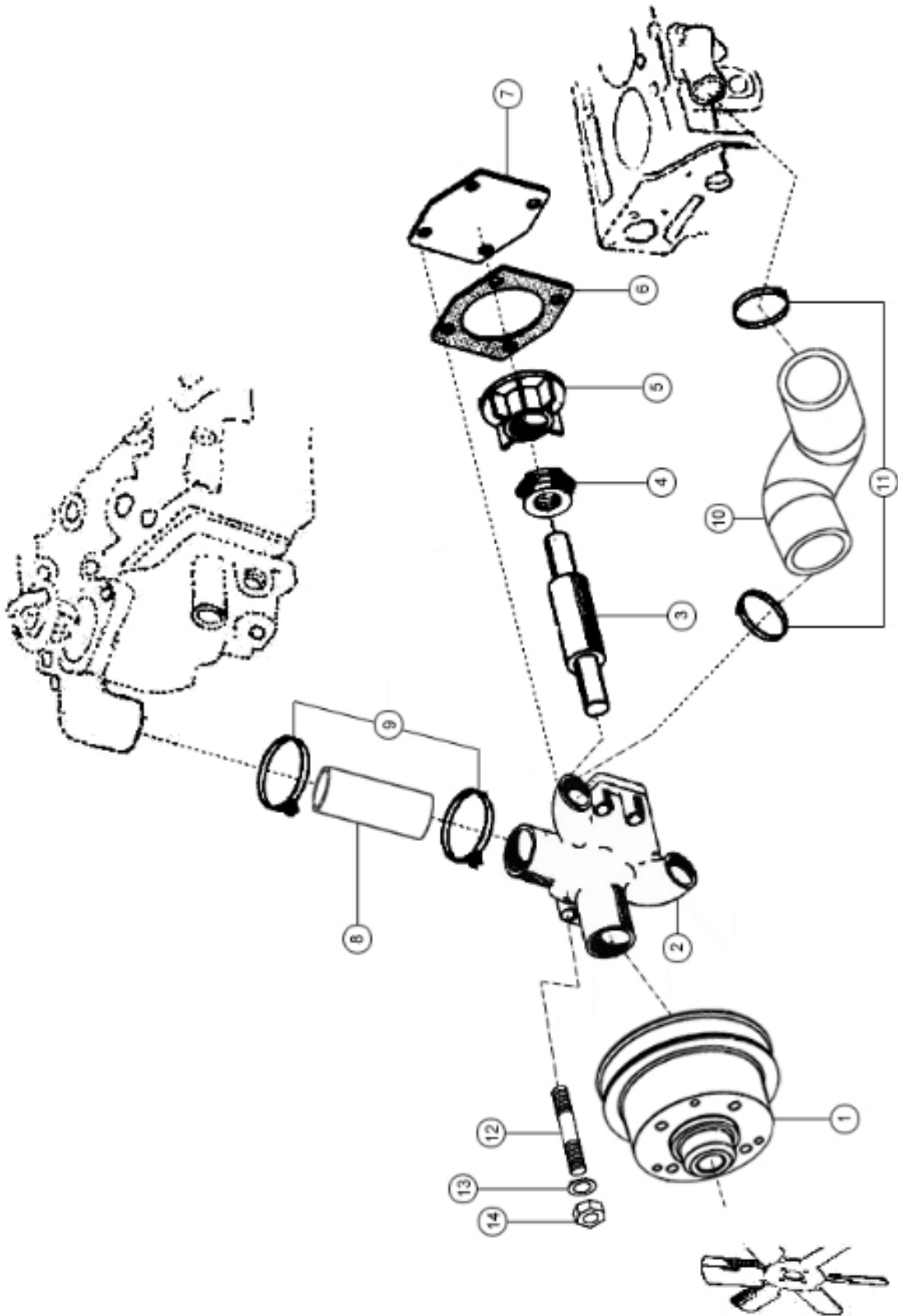
Timing Gear & Camshaft



HYDRA-14-4P-2P-SIMPSON ENGINE

Timing Gear & Camshaft				
S No	Part No	Description	Qty	Remarks
39	920053	Washer, Setscrew Timing Case Cover	1	
40	S4007404	Setscrew Timing Case Cover To Timing Case	1	
41	49SG3034	Joint Inspection Cover To Timing Case	1	
42	94DE0385	Cover Timing Case Inspection	1	
43	920052	Washer Spring	6	
44	S4007418	Setscrew	6	
45	920053	Washer Spring Timing Cover Retaining	1	
46	S4007405	Setscrew Timing Case Cover To Timing Case	1	
47	2415344	Seal Timing Case Cover	1	
48	920053	Washer Spring Timing Cover Retaining	3	
49	S4007406	Setscrew Timing Case Cover To Bottom Cover	3	
50	920053	Washer Spring Timing Cover Retaining	10	
51	S4007403	Setscrew Timing Case Cover To Timing Case	10	
52	S4004916	Joint P.T.O Blanking Plate	1	
53	94SG3006	Plate P.T.O Blanking	1	
54	S4004945	Joint Compressor Boss(T/C)	1	

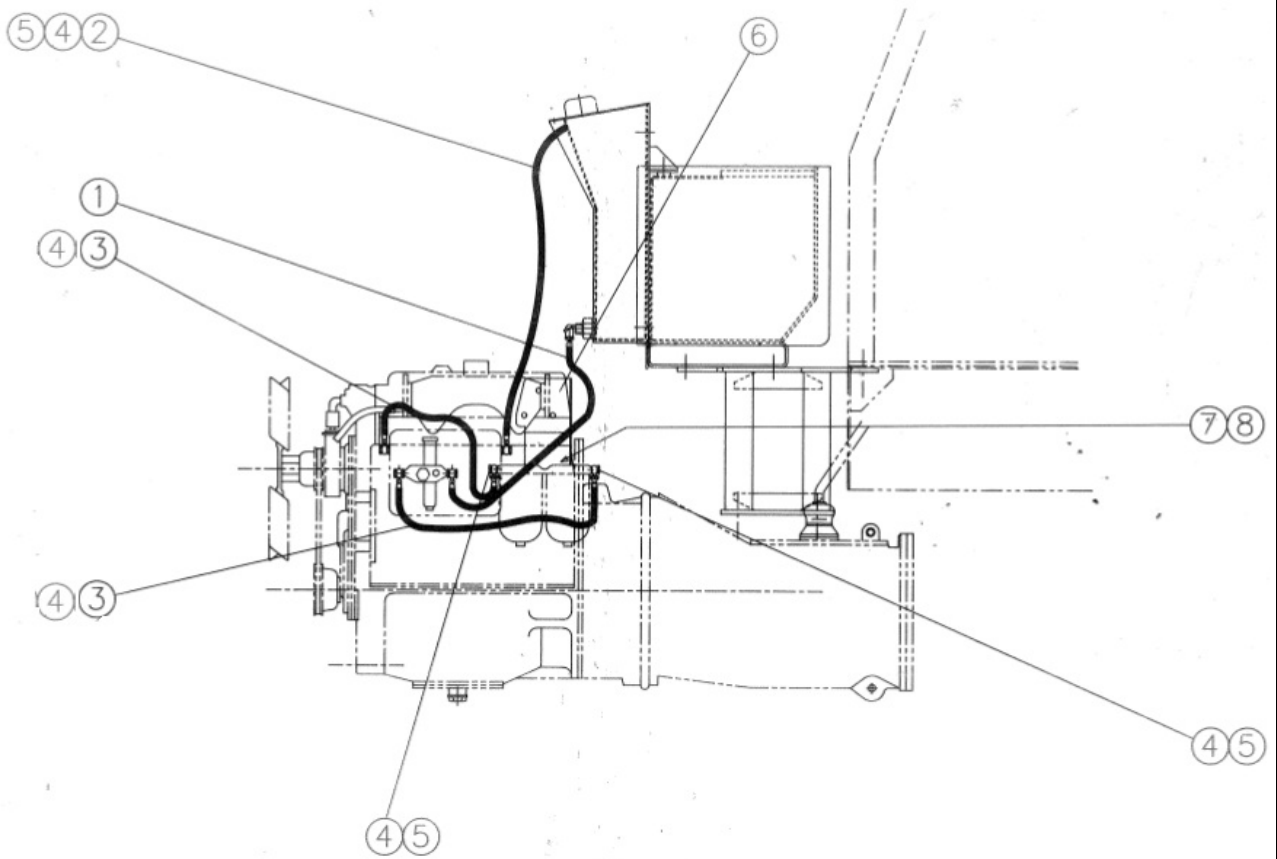
Water Pump Assembly



HYDRA-14-4P-2P-SIMPSON ENGINE

		Water Pump Assembly		
S No	Part No	Description	Qty	Remarks
	S4099101	Water Pump Assembly	1	
1	S4006709	Pulley Water Pump	1	
2	S4000802	Body Water Pump	1	
3	32346	Shaft Water Pump (Integral Bearing Type)	1	
4	2418M006	Seal Water Pump (Unitised)	1	
5	37447194	Impeller Water Pump	1	
6	49S30121	Joint Water Pump Back Plate	1	
7	941183	Back Plate Water Pump Body To Timing Case Front Cover	1	
8	S4002003	Hose Bypass Connection To Water Pump Body	1	
9	180066	Clip Water Connection Hose	2	
10	S4002009	Hose Water Pump Outlet To Cylinder Block Water Inlet	1	
11	180067	Clip Water Connection Hose	2	
12	S4008211	Stud Water Pump Mounting	4	
13	920053	Spring Washer	4	
14	S4005702	Nut	4	
	S4099101	Water Pump Assembly	1	

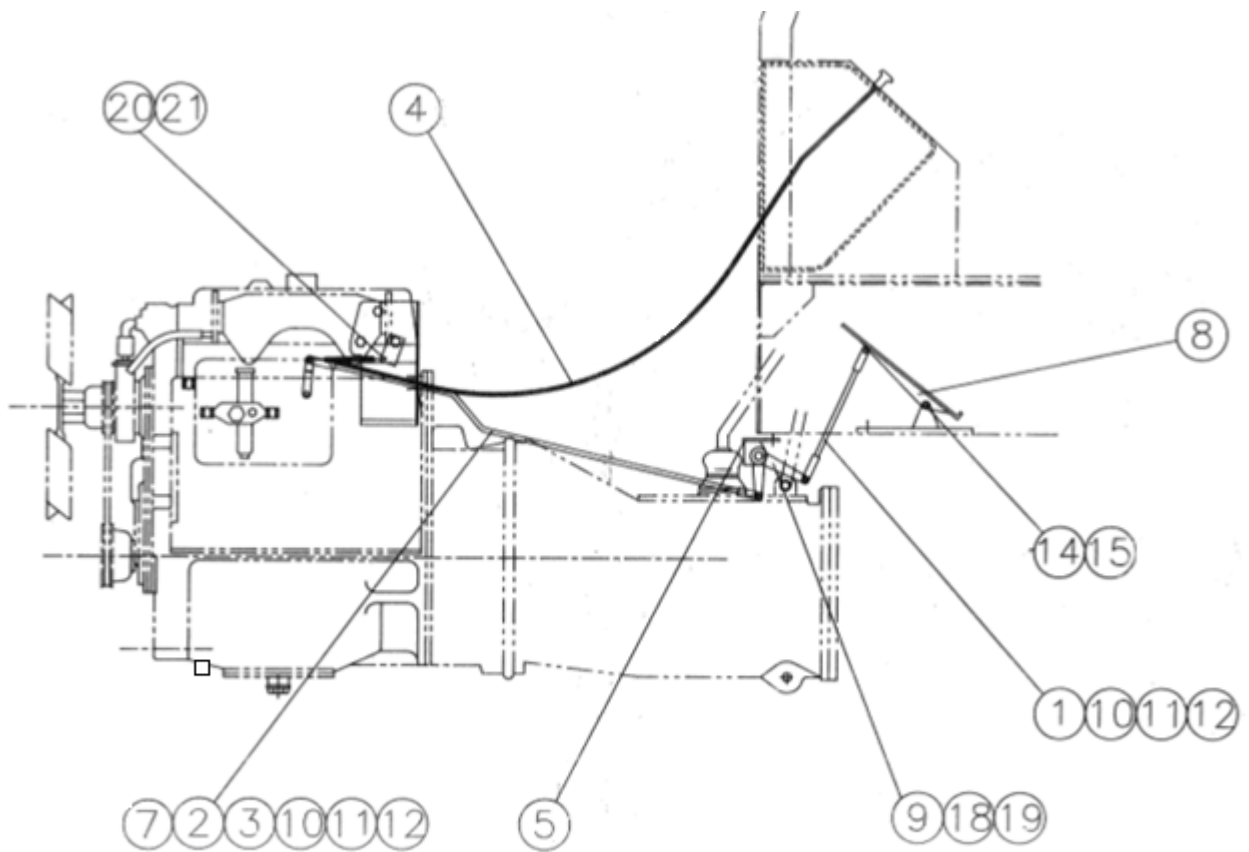
Fuel Filter & Fuel Line_8V191400000



HYDRA-14-4P-2P-SIMPSON ENGINE

		Fuel Filter & Fuel Line		
S No	Part No	Description	Qty	Remarks
1	8V061101000	OIL PIPE	1	
2	8V191100300	OVER FLOW PIPE	1	
3	8M004110700	WIRE BRAIDED PIPE	2	
4	8T540000170	BANJO BOLT	5	
5	9100099	COPPER WASHER	10	
6	8V191100210	FILTER MTG. BKT	1	
7	9100267	HEX BOLT	2	
8	9100044	SPRING WASHER	2	

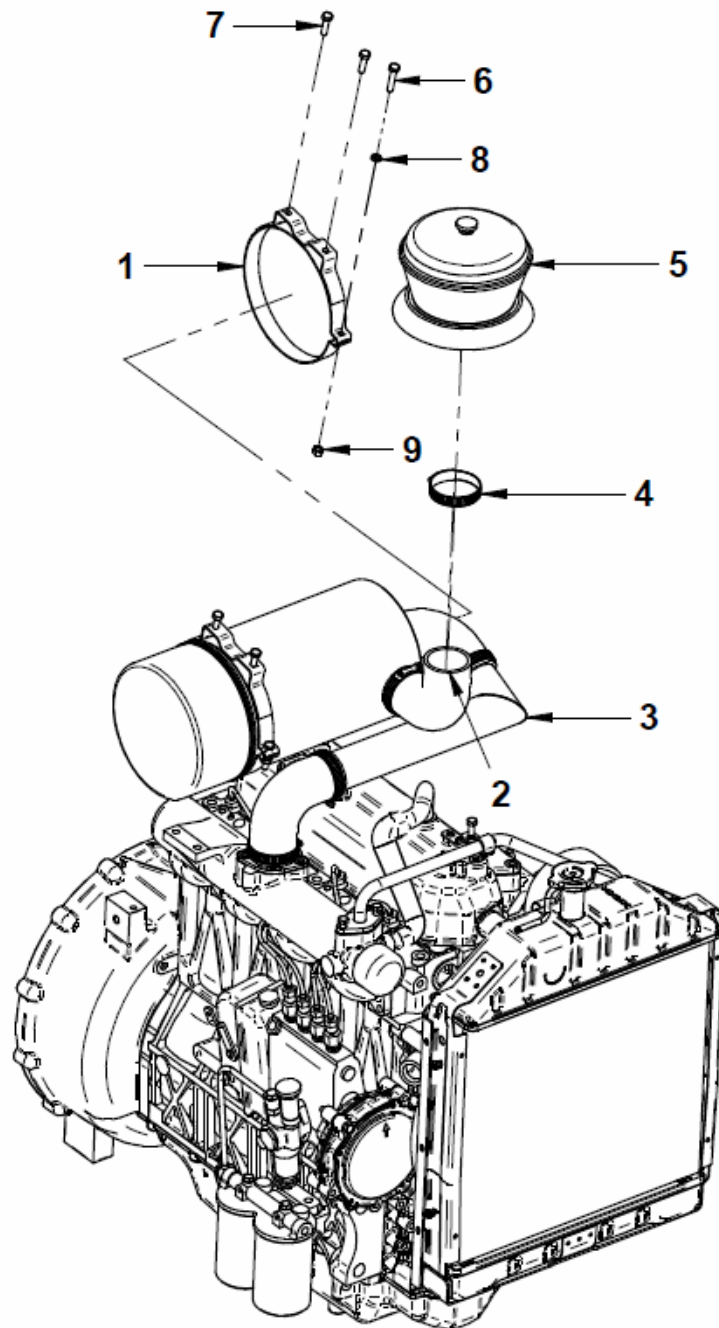
Acceleration System_7203441



HYDRA-14-4P-2P-SIMPSON ENGINE

Acceleration System				
S No	Part No	Description	Qty	Remarks
1	8V192902400	REAR ROD	1	
2	8V192902500	FRONT ROD	1	
3	8V171800100	FORK	1	
4	DE005606	STOP CABLE	1	Part of Engine
5	7204373	BKT [CROSS ROD MTG]	2	
7	9100068	HEX NUT	1	
8	8V192902700	ACCELERATOR PEDAL	1	
9	8V192902810	CROSS ROD	1	
10	8E152901000	PIN	4	
11	9100073	PLAIN WASHER	4	
12	9100299	SPLIT PIN	3	2 x 25 MM
14	9100221	HEX BOLT	1	
15	9100041	NYULOCK NUT	1	
18	9100094	PLAIN WASHER	2	
19	9100101	SPLIT PIN	2	3.2 x 30 MM
20	8M893005000	SPRING	1	
21	8V192902200	ACCELERATOR STRIP	1	

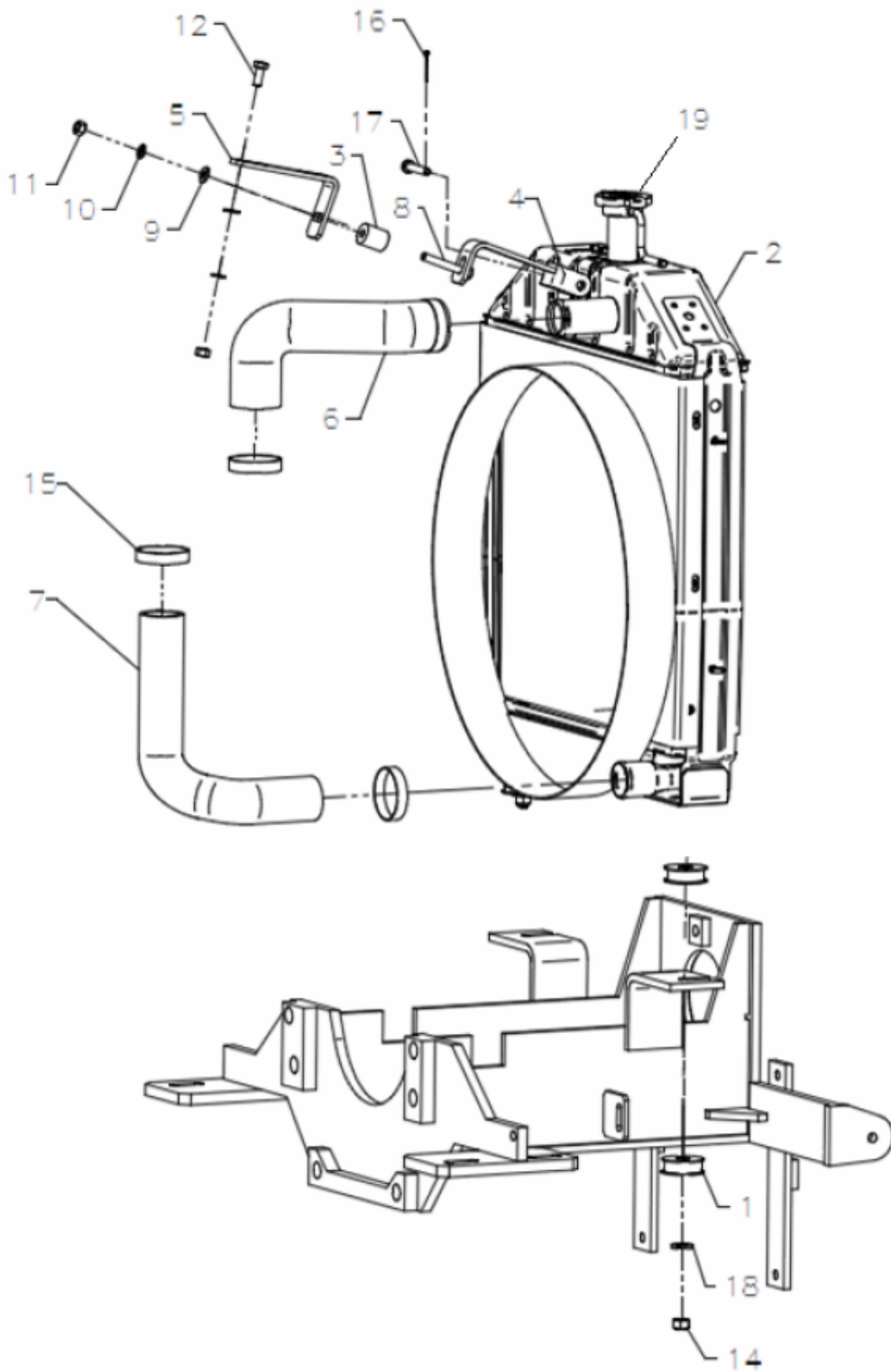
Air Intake System_8V191200000



HYDRA-14-4P-2P-SIMPSON ENGINE

ENGINE		Air Intake Assy		
S No	Part No	Description	Qty	Remarks
1	C8V191900800	CLAMP AIR CLEANER	2	
2	C8V051402000	AIR INTAKE ELBOW	3	
3	C8V19.14.004.0	PIPE	1	
4	C8M004161300	HOSE CLAMP	6	
5	C8V191401100	PRE CLEANER ASSY	1	
6	C9100263	HEX HEAD SCREW	2	
7	C9100061	HEX SCREW	4	
8	C9100046	SPRING WASHER	2	
9	C9100068	HEX NUT	2	
	DE05340A	PRIMARY & SECONDARY ELEMENTS (AIR CLEANER)	1	Part of Engine

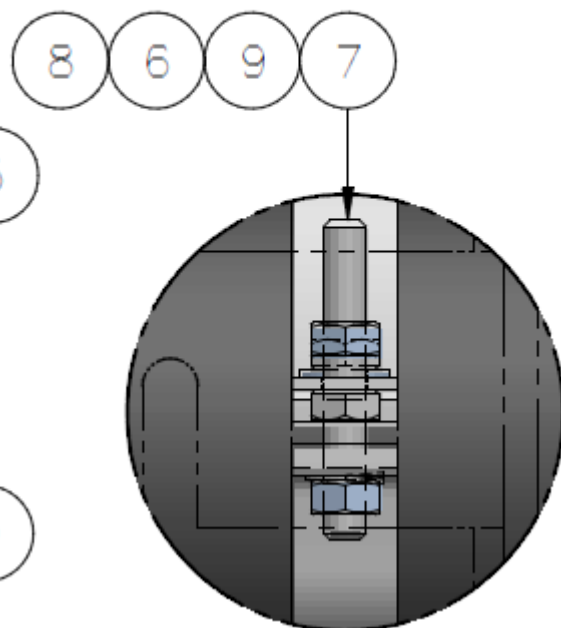
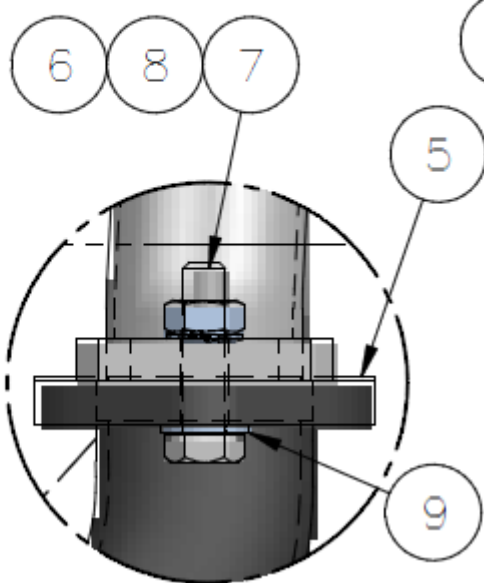
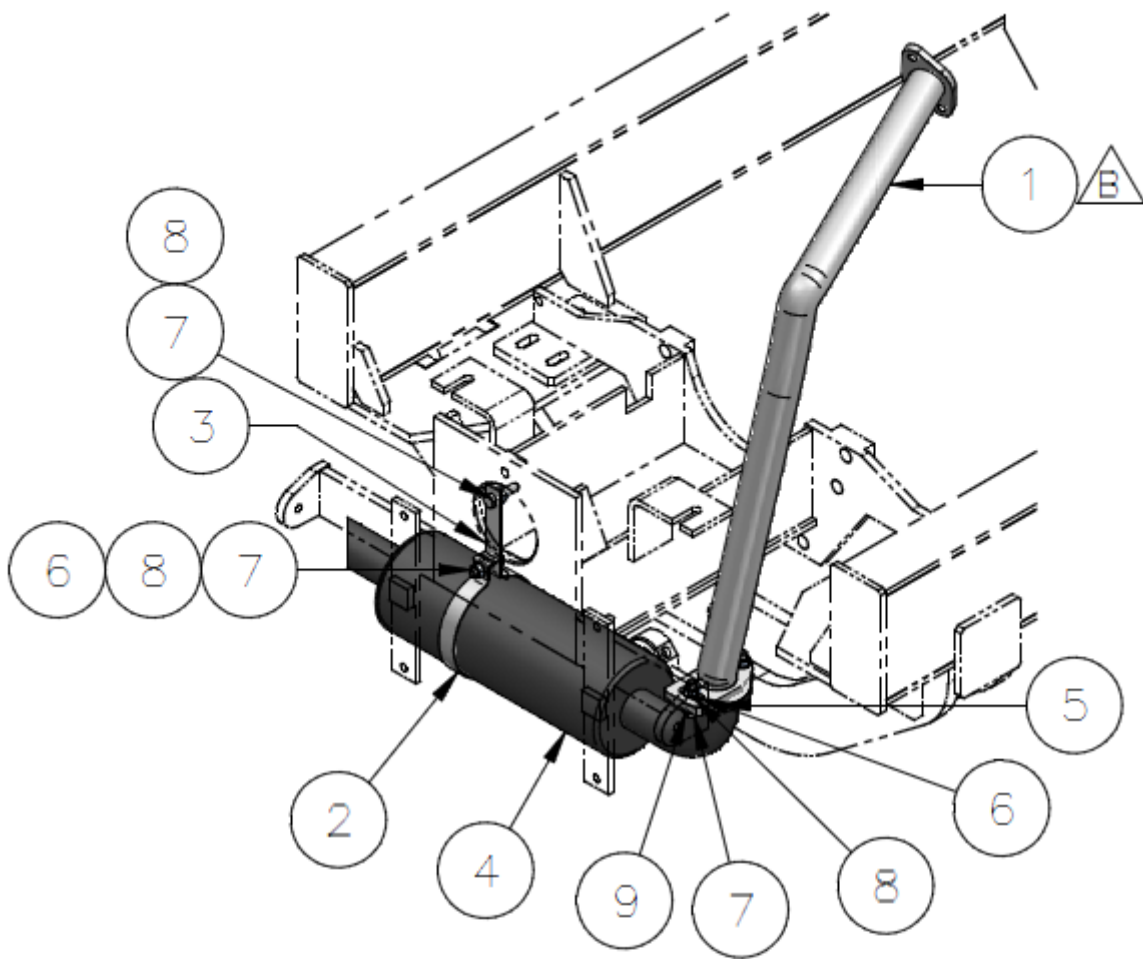
Cooling System_7200395



HYDRA-14-4P-2P-SIMPSON ENGINE

		Cooling System		
S No	Part No	Description	Qty	Remarks
1	7201861	RUBBER MOUNT	4	
2	7204800	RADIATOR	1	
3	8V191600500	RUBBER BUSH	2	
4	7200347	CLAMP FAB.	1	
5	7200346	BEND PLATE	1	
6	8V051606000	TOP ELBOW	1	
7	8V191600200	HOSE BOTTEM	1	
8	9100128	HEXAGON HEAD BOLT	1	
9	9100062	PUNCHED WASHER	4	
10	9100046	SPRING LOCK WASHER	3	
11	9100068	HEXAGON NUT	3	
12	9100052	HEXAGON HEAD SCREW	2	
14	9100421	NUT LOCK	2	
15	8M004161300	HOSE CLAMP	4	
16	80PS1600300	PIN SPLIT	1	
17	8V194908400	PIN	1	
18	9100059	PUNCHED WASHER	2	
19	8V1916007000	RADIATOR CAP	1	

Exhaust System_7201948



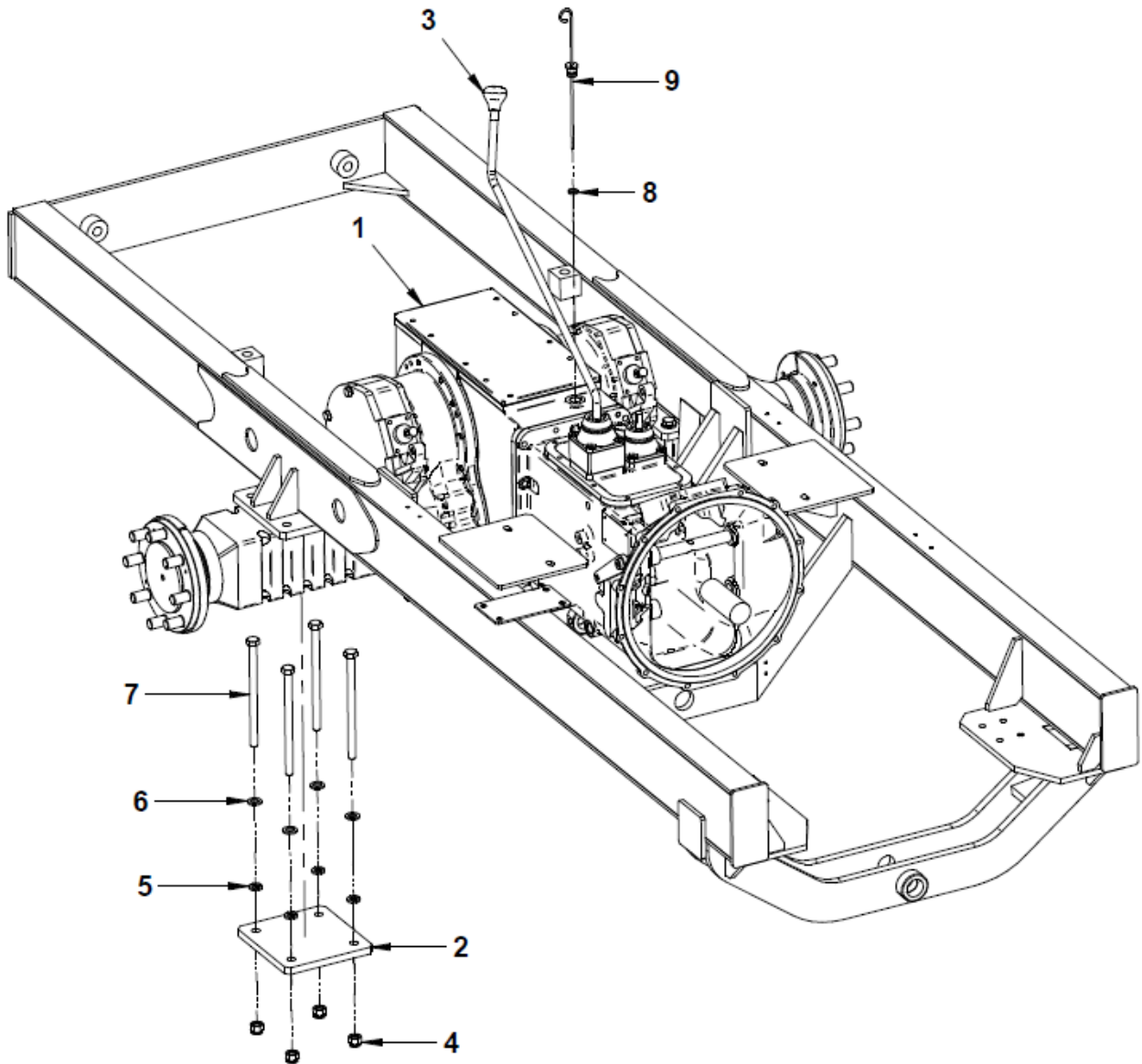
HYDRA-14-4P-2P-SIMPSON ENGINE

		Exhaust System		
S No	Part No	Description	Qty	Remarks
1	7203228	EXHAUST PIPE	1	
2	8V19020180	SILENCER CLAMP	1	
3	8V19020190	MOUNTING PLATE	1	
4	8V19028032	SILENCER ASSY	1	
4A	7204422	SPARK ARRESTOR (OPTIONAL)		
5	8V16160060	GASKET	1	
6	9100044	SPRING LOCK WASHER A10-IS:3063	3	
7	9100192	HEXAGON HEAD SCREW-IS 1364 - M10X40-8.8	4	
8	9100076	HEXAGON NUT-IS 1364(PART 3)/ISO 4032- M10-8	4	
9	9100040	PUNCHED WASHER A11 IS: 2016-STEEL	3	



AXLE + TRANSMISSION

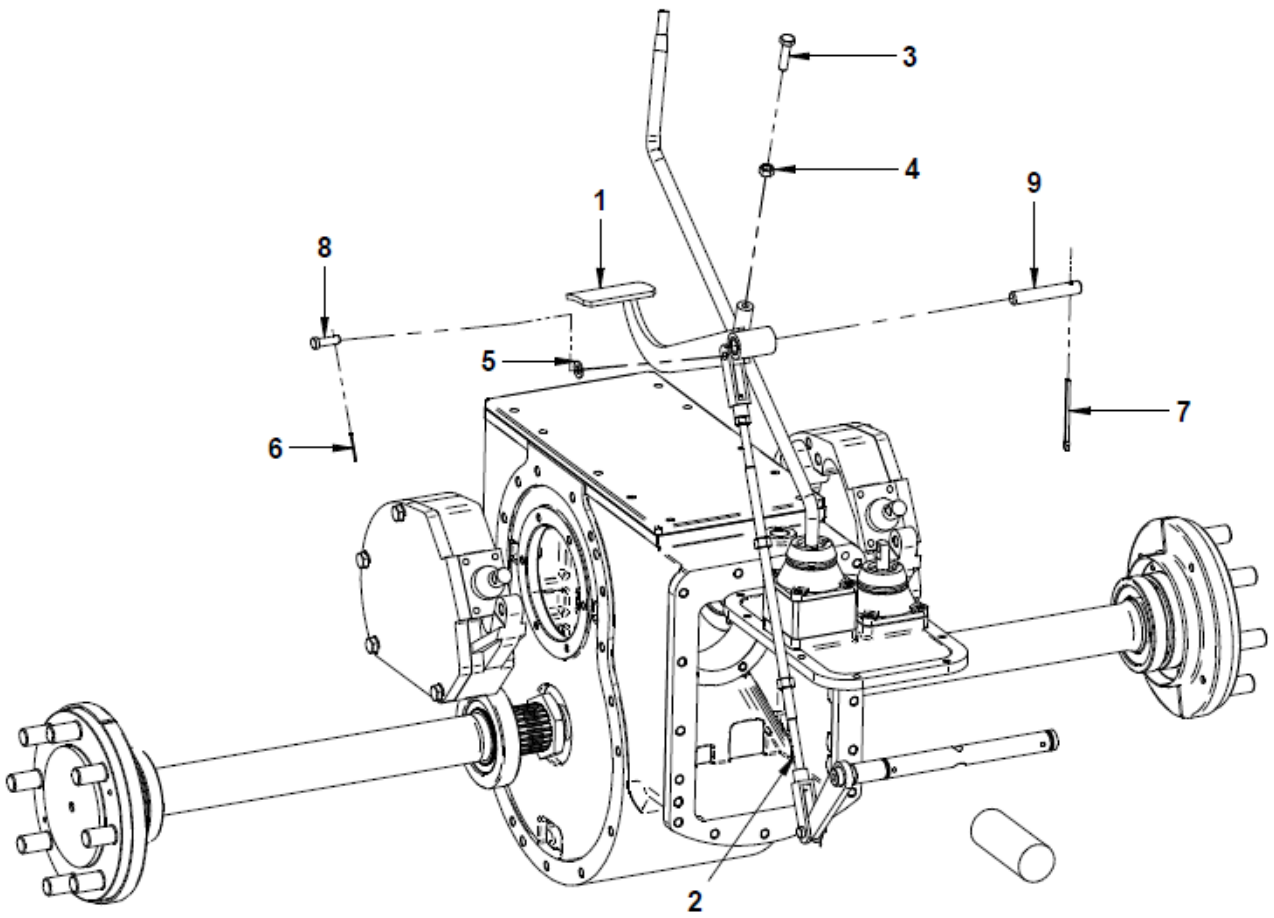
Axle Installation_7201084



HYDRA-14-4P-2P

TRANSMISSION		Axle Installation		
S No	Part No	Description	Qty	Remarks
1	7200967	ST AXLE BACKEND	1	
2	7201468	MTG PLATE	2	
3	7203220	GEAR KNOB	1	
4	9100309	PREVAILING TORQUE TYPE NUT-M16-IS 7002-8-P	8	
5	9100092	SPRING LOCK WASHER A16, IS:3063	8	
6	9100106	PUNCHED WASHER A16 IS: 2016-STEEL	8	
7	9100540	HEXAGON HEAD BOLT-IS 1364 -M16X240-10.9	8	
8	V055122000	O RING	1	
9	7203231	DIPSTICK	1	

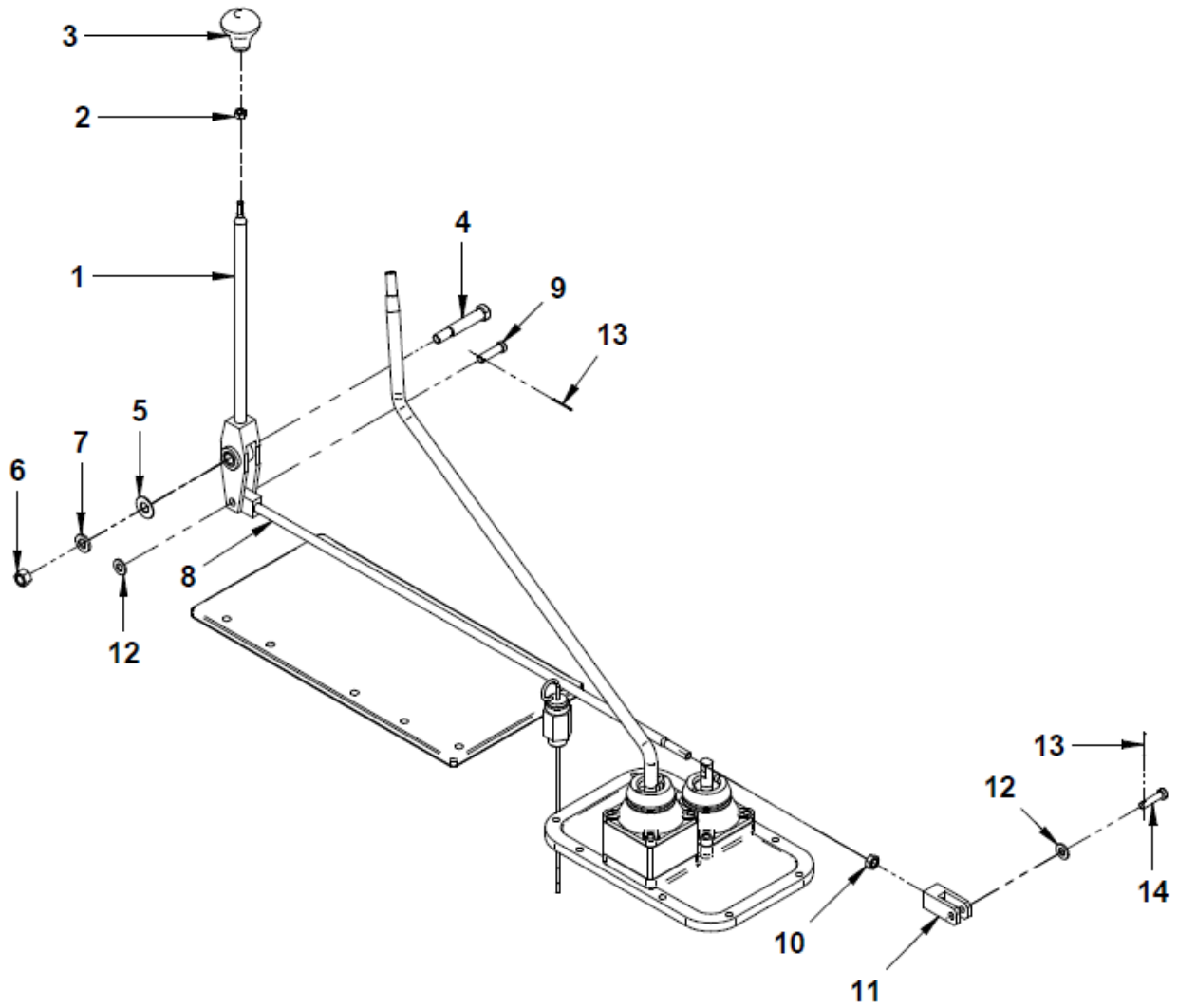
Clutch Linkages_7203203



HYDRA-14-4P-2P

TRANSMISSION		Clutch Linkages		
S No	Part No	Description	Qty	Remarks
1	7202340	CLUTCH PEDAL ASSY	1	
2	7203204	ROD ASSY	1	
3	9100107	HEXAGON HEAD BOLT-IS:1364:2002(PART I)/M10X40-8.8	1	
4	9100262	HEXAGON NUT-IS 1364(PART 3)/ISO 4032- LH M10-8	1	
5	9100040	PUNCHED WASHER A11 IS: 2016-STEEL	2	
6	9100674	SPLIT_PIN_1.6x30 IS:549	2	
7	9100547	SPLIT PIN 5x80-IS:549	1	
8	8V19190310	PIN	2	
9	8V191902500	PIN CLUTCH	1	

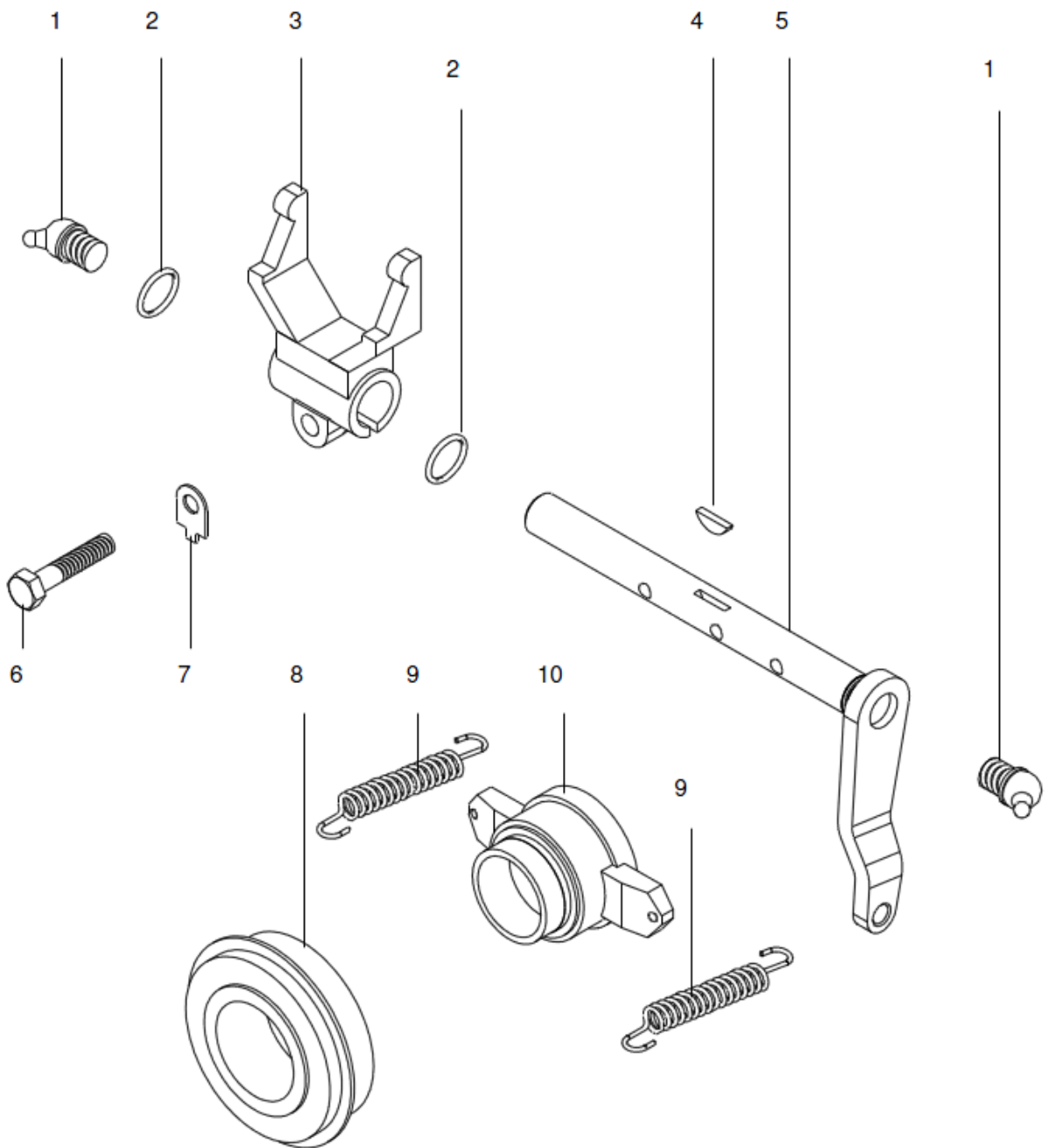
Hi-Low Gear Shifting_7201540



HYDRA-14-4P-2P

TRANSMISSION		Hi-Low Gear Shifting		
S No	Part No	Description	Qty	Remarks
1	8V191901800	LEVER SHIFTING	1	
2	9100068	HEXAGON NUT-IS1364(PART-3)/ISO4032-M8-8	1	
3	8V162201400	KNOB HI-LO LEVER	1	
4	8V19190210	PIN ASSY	1	
5	8V19190330	SHIM	1	
6	9100081	HEXAGONAL NUT-IS1364(PART-4)/ISO4032-M12-05	1	
7	9100059	PUNCHED WASHER A14 IS: 2016-STEEL	1	
8	7201541	ROD ASSY	1	
9	8V16220170	PIN	1	
10	9100076	HEXAGON NUT-IS 1364(PART 3)/ISO 4032- M10-8	1	
11	7201899	FORK	1	
12	9100040	PUNCHED WASHER A11 IS: 2016-STEEL	2	
13	9100674	SPLIT_PIN_1.6x30 IS:549	2	
14	7201898	PIN	1	

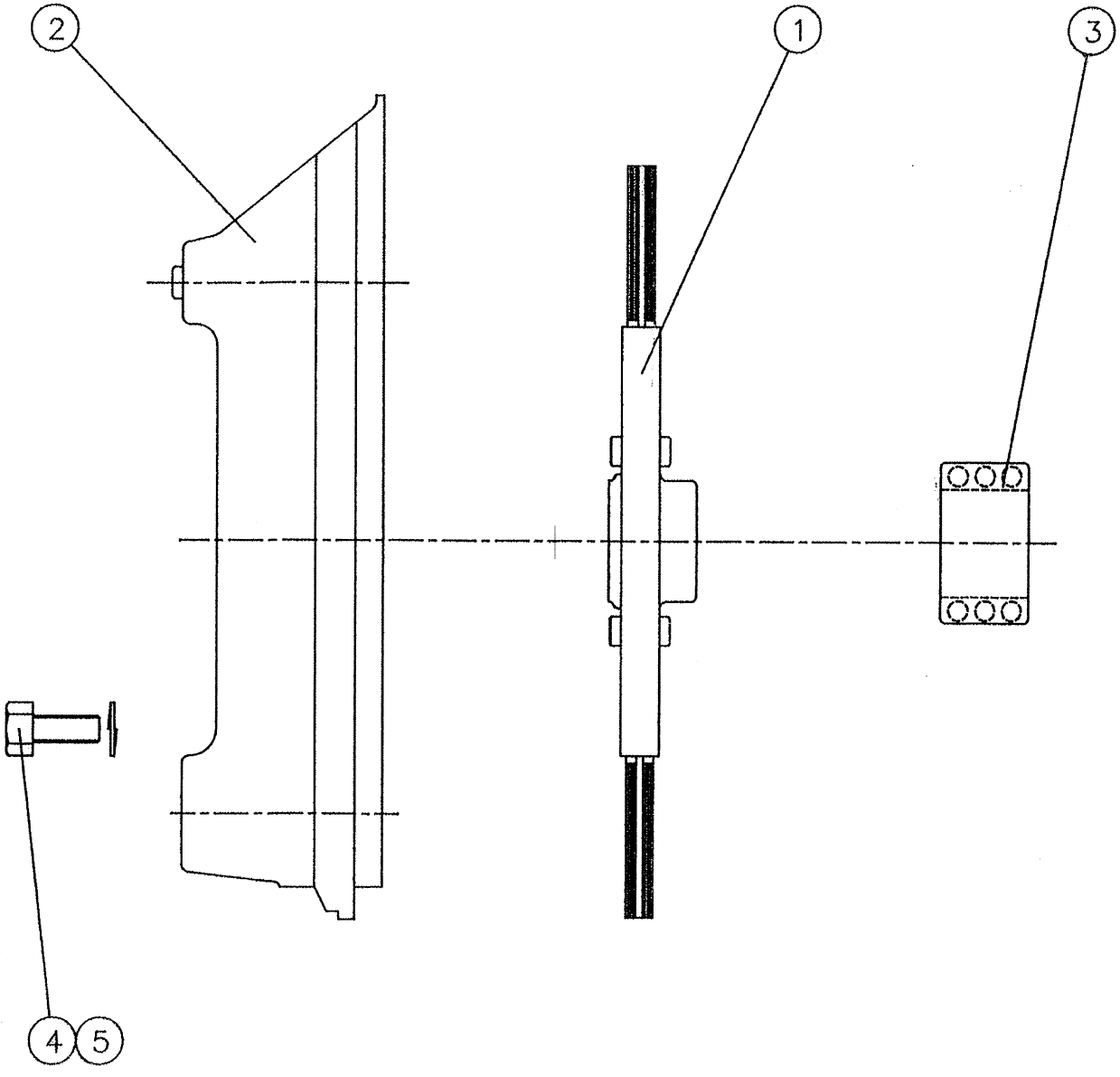
Clutch



HYDRA-14-4P-2P

TRANSMISSION		Clutch		
S No	Part No	Description	Qty	Remarks
1	D92500020	GREASE NIPPLE A M10x1	2	
2	D10007830	SEAL O RING 2.40x20.30	2	
3	D10005650	FORK CLUTCH RELEASE SHAFT	1	
4	D91000020	KEY 6x9.0 WOODRUFF	1	
5	D10251990	SHAFT ASSY. CLUTCH RELEASE BEARING (ECEL)	1	
6	D81500010	BOLT M10x1.50x40-8.8 HEX HEAD	1	
7	D10005660	WASHER 11 LOCK COLD ROLLED	1	
8	D10005390	BEARING CLUTCH RELEASE	1	
9	D10005410	SPRING CLUTCH RELEASE BEARING SLEEVE RET.	2	
10	D10024980	SLEEVE CLUTCH RELEASE BEARING	1	

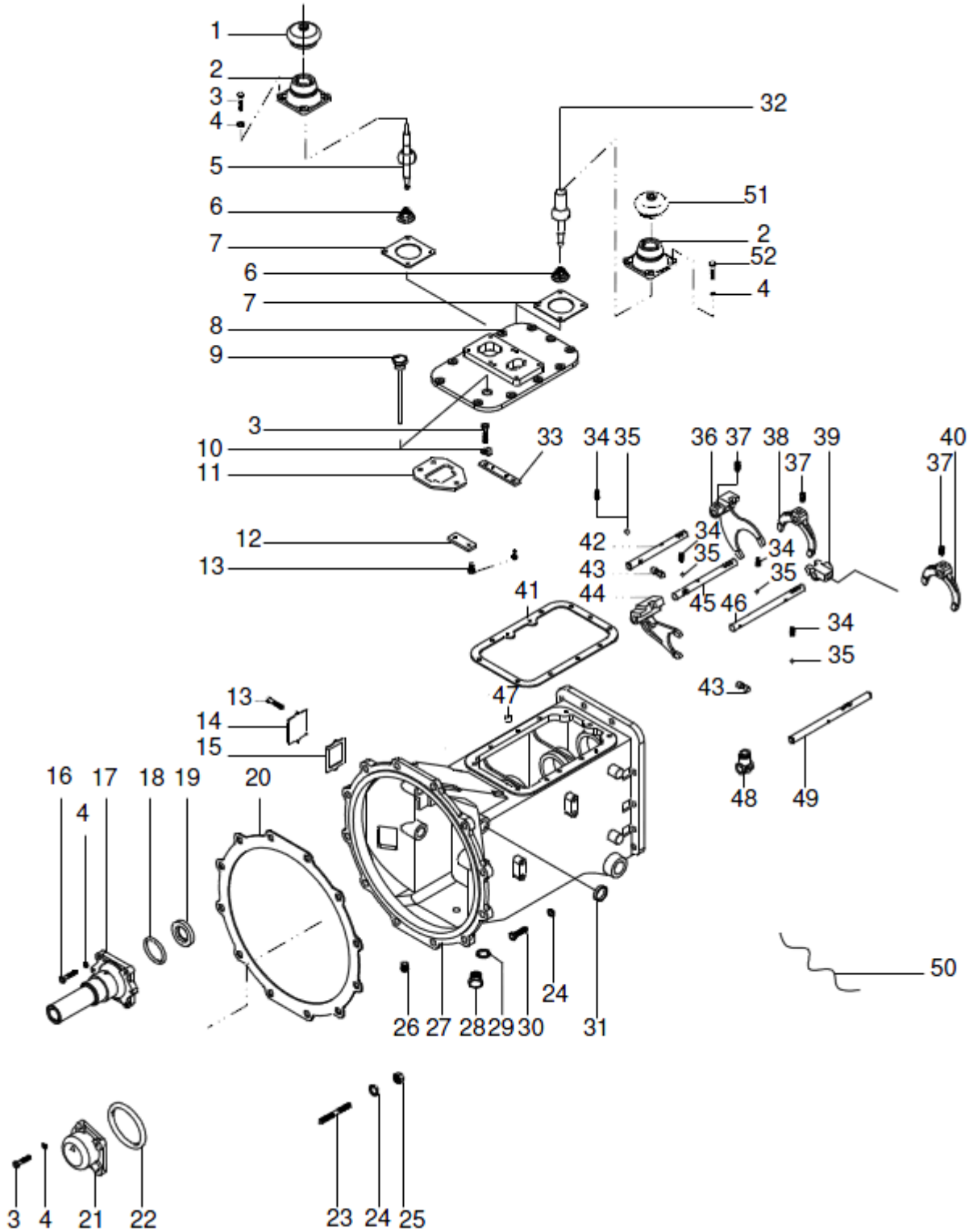
CLUTCH ASSY_7203205



HYDRA-14-4P-2P

TRANSMISSION		CLUTCH ASSY (7203205)		
S No	Part No	Description	Qty	Remarks
1	7203206	CLUTCH PLATE	1	11"
2	85.18.902.0	PRESSURE PLATE ASSY	1	11"
3	V19.16.001.0	BALL BEARING	1	6203ZZ
4	8T090181400	SPECIAL BOLT	6	3/8" UNC x 1" .18.14
5	8N158410500	SPRING WASHER	6	M10

Gear Box Housing Sheet-1



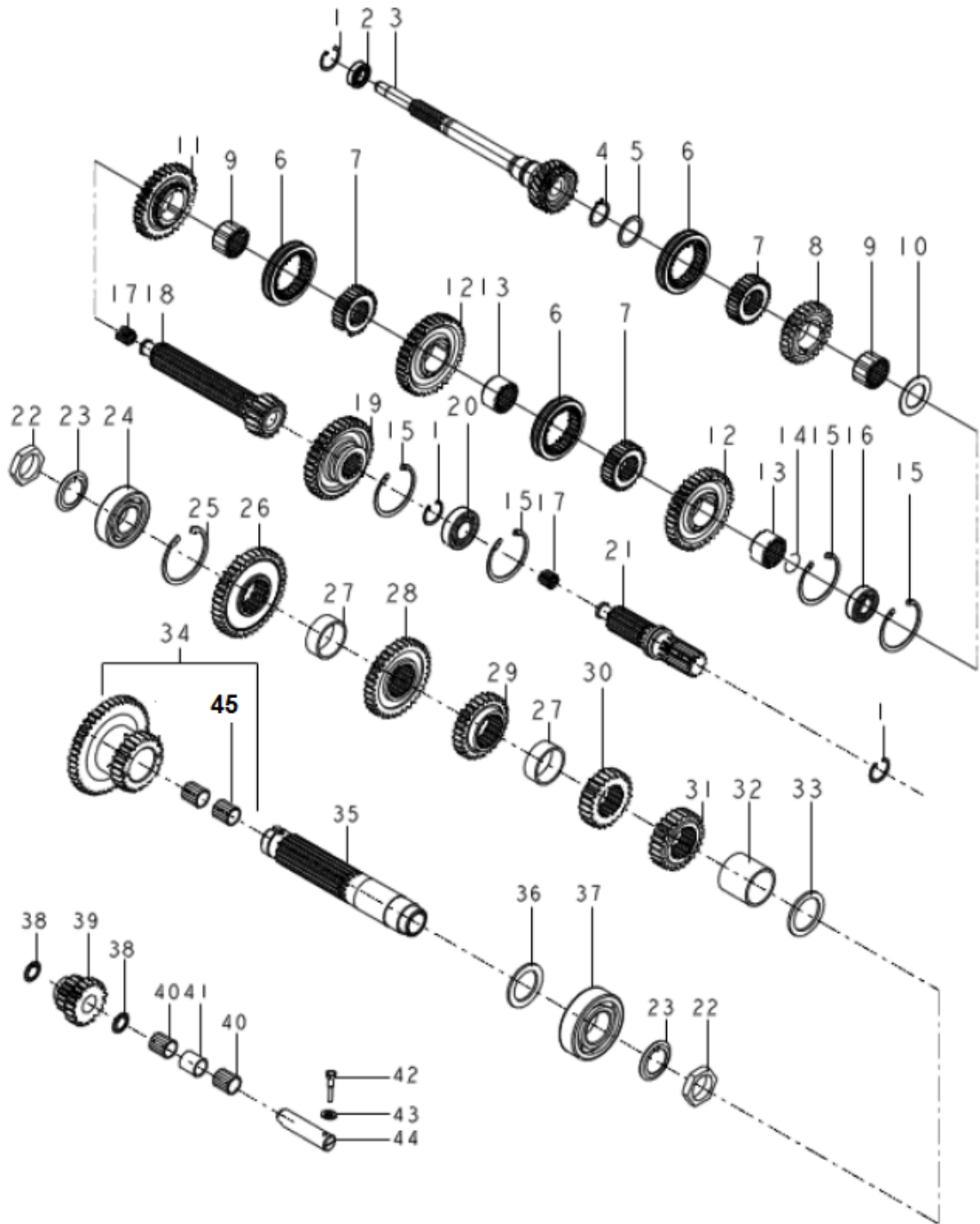
HYDRA-14-4P-2P

TRANSMISSION		Gear Box Housing		
S No	Part No	Description	Qty	Remarks
1	D10015740	BOOT TRANS. LEVER BALL RETAINER	1	
2	D10005720	RETAINER GEAR SHIFT LEVER BALL TRANS.	2	
3	D82500010	SCREW M8x1.25x28-8.8 HEX HEAD	4	
4	D86500030	WASHER M8 SPRING LOCK	25	
5	D10251960	LEVER ASSY. MAIN GEAR SHIFTING TRANS.(ECEL)	1	
6	D10181750	SPRING GEAR SHIFTING LEVER TRANS.	2	
7	D10005710	GASKET RETAINER GEAR SHIFT LEVER BALL	3	
8	D10098510	COVER TRANSMISSION CASING TOP	1	
9	D10184460	INDICATOR ASSEMBLY TRANS. OIL LEVEL	1	
10	D10007870	WASHER TAB C 8.4x17x8x8	2	
11	D10227780	STOP SPEED CHANGE LEVER TRANSMISSION (ECEL)	1	
12	D10005700	WASHER LOCK LEVER STOP TRANS.	1	
13	D82500070	SCREW M8x1.25x15-6.8 HEX HEAD	2	
14	D10013860	COVER CLUTCH INSPECTION HOLE	1	
15	D10013850	GASKET CLUTCH INSPECTION HOLE CVR.	1	
16	D81500190	BOLT M8x1.25x45-8.8P HEX HEAD	2	
17	D10025460	COVER DRIVE SHAFT TRANSMISSION	1	
18	D10007680	SEAL O RING 2.60x96.50	1	
19	D10006650	SEAL OIL 35x62x10 SINGLE LIP	1	
20	D10013840	GASKET TRANSMISSION HOUSING	1	
21	D10005430	COVER COUNTER SHAFT TRANSMISSION	1	
22	D10005420	SHIM COVER COUNTER SHAFT ADJUSTING	4	
23	D10013820	STUD B M10x31-10.9P	2	
24	D86500050	WASHER M10 SPRING LOCK	12	
25	D83500130	NUT M10x1.50-10P HEX	2	
26	D10007370	PLUG 1/4" TAPER	1	
27	D10225200	HOUSING TRANS. (8+2 SPEED 1000RPM PTO)	1	
28	D10023940	PLUG DRAIN M24x1.5x15	1	
29	D10005120	WASHER M24 FLAT COPPER	2	
30	D10014130	SCREW HEX M10x1.50x38-10.9	12	
31	D10007340	PLUG 25MM WELCH	2	
32	D10214300	LEVER ASSY. HIGH LOW GEAR SHIFTING TRANS.(ECEL)	1	
33	D10005640	RETAINER TRANS. GEAR SHIFT RAIL SPRING	1	
34	D10005630	SPRING COMPRESSION GEAR SHIFT RAIL	4	
35	D10006740	BALL 5/16" SNAP LOCK	4	
36	D10005600	FORK TRANS. GEAR SHIFT REVERSE SPEED	1	
37	D10008450	SCREW FORK SETTING PRECOATING	6	
38	D10005540	FORK TRANS. GEAR SHIFT 3rd & 4th SPEED	1	
39	D10082860	SHIFTER TRANS. GEAR 3rd & 4th SPEED (MACHINED)	1	
40	D10005520	FORK TRANS. GEAR SHIFT HIGH LOW SELECTION	1	

HYDRA-14-4P-2P

TRANSMISSION		Gear Box Housing		
S No	Part No	Description	Qty	Remarks
41	D10005760	GASKET TRANSMISSION CASING TOP	1	
42	D10094170	RAIL TRANS. GEAR SHIFT 1ST & REVERSE SPEED	1	
43	D10005550	INTERLOCK TRANS. GEAR SHIFT RAIL	2	
44	D10005580	FORK TRANS. GEAR SHIFT 1st & 2nd SPEED	1	
45	D10094180	RAIL TRANS. GEAR SHIFT 2nd SPEED	1	
46	D10005530	RAIL TRANS. GEAR SHIFT 3rd & 4th SPEED	1	
47	D10005620	PLUG TRANS. GEAR SHIFT RAIL INTERLOCK	1	
48	D10005510	SHIFTER TRANS. GEAR HIGH LOW SELECTION	1	
49	D10005490	RAIL TRANS. GEAR SHIFT HIGH LOW SELECTION	1	
50	D10006950	WIRE LOCKING GALVANIZE IRON 0.8 MM	2	
51	D10213470	BOOT TRANSMISSION HIGH LOW LEVER (ECEL)	1	
52	D82500010	SCREW M8x1.25x28-8.8 HEX HEAD	4	

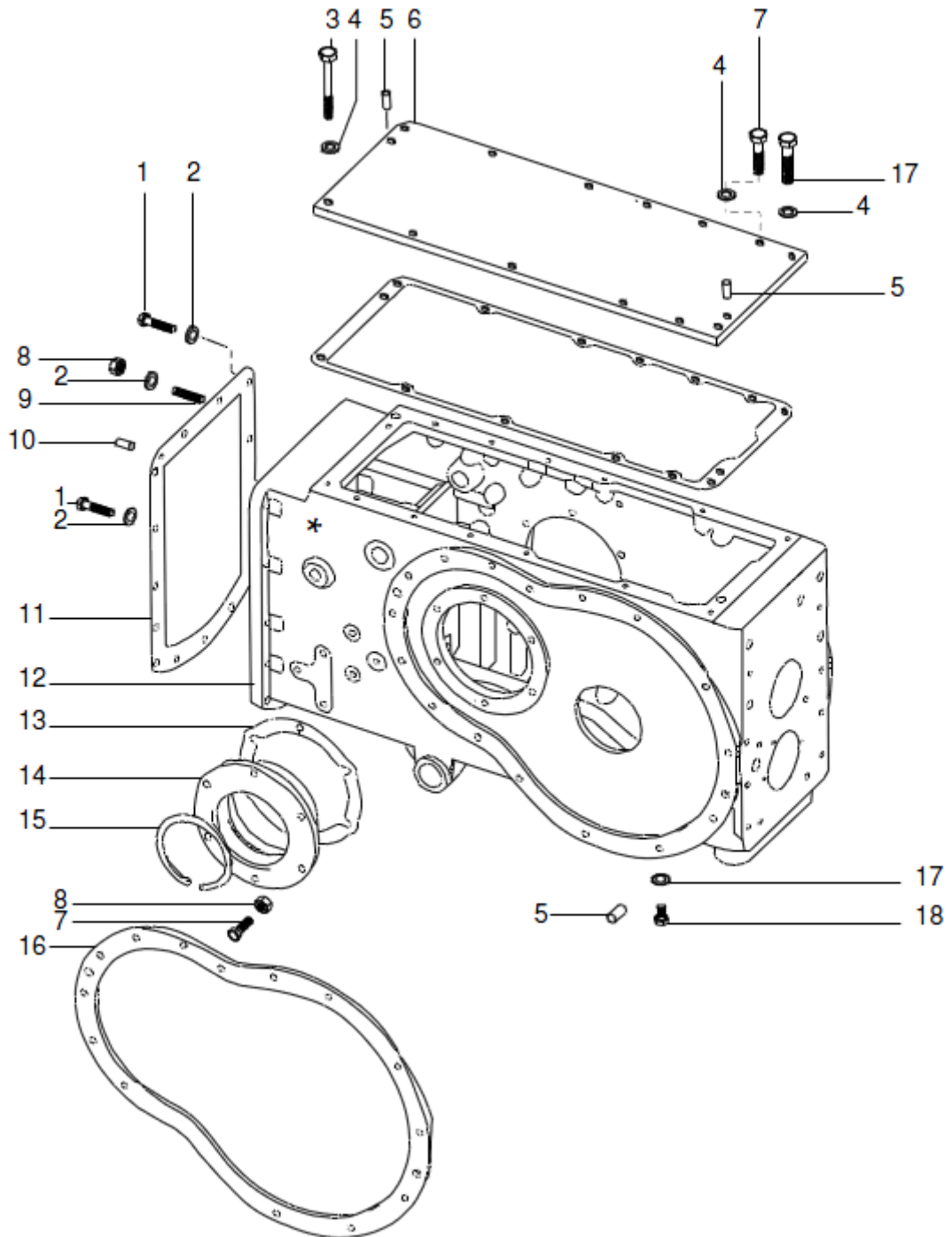
Gear Box Assy



HYDRA-14-4P-2P

TRANSMISSION		Gear Box Assy		
S No	Part No	Description	Qty	Remarks
1	D90000030	CIRCLIP A40x1.75 N	2	
2	D10005370	BEARING BALL 6208 NR	1	
3	D10201250	SHAFT TRANSMISSION INPUT Z18 (ECEL)	1	
4	D90000030	CIRCLIP A40x1.75 N	1	
5	D10005350	WASHER GRADED TRANSMISSION DRIVE SHAFT	1	
6	D10094140	SLEEVE ENGAGING DRIVEN GEAR	3	
7	D10005310	HUB SPLINED TRANSMISSION DRIVE SHAFT	3	
8	D10093970	GEAR DRIVEN TRANSMISSION 3RD SPEED	1	
9	D10005330	BUSH DRIVEN GEAR 1ND AND 3RD SPEED	2	
10	D10005340	WASHER 40x64 FLAT	1	
11	D10093960	GEAR DRIVEN TRANSMISSION 2nd SPEED Z-33	1	
12	D10093950	GEAR DRIVEN TRANSMISSION 1st SPEED Z-38	2	
13	D10005300	BUSH DRIVEN GEAR 1st & REVERSE SPEED	2	
14	D10005290	BEARING THRUST RING	1	
15	D90500030	CIRCLIP B80x2.5 N	4	
16	D10005140	BEARING ROLLER NUP-208	1	
17	D10005280	BEARING NEEDLE ROLLER	48	
18	D10004950	SHAFT TRANSMISSION MAIN (8+2 SPEED)	1	
19	D10094080	GEAR SLIDE SHAFT TRANSMISSION OUTPUT Z-35	1	
20	D10006610	BEARING BALL 6208	1	
21	D10004970	SHAFT TRANSMISSION OUTPUT	1	
22	D10090520	NUT M48x1.5 THRUST HEX	2	
23	D10090510	WASHER TAB D48.2x85x7	2	
24	D10005150	BEARING BALL 6210	1	
25	D90500040	CIRCLIP B90x3.0 N	1	
26	D10201260	GEAR TRANSMISSION DRIVEN CONSTANT MESH Z45 (1	
27	D10005260	SPACER COUNTER SHAFT TRANSMISSION	1	
27a	D10094260	SPACER COUNTER SHAFT TRANSMISSION	1	
28	D10004760	GEAR TRANSMISSION DRIVE 3RD SPEED	1	
29	D10004740	GEAR TRANSMISSION DRIVE 2ND SPEED	1	
30	D10094000	GEAR TRANSMISSION DRIVE 1st SPEED Z-23	1	
31	D10094020	GEAR TRANS. DRIVE REVERSE SPEED Z-24	1	
32	D10094250	BUSH DISTANCE TRANS. COUNTER SHAFT	1	
33	D10005240	WASHER REDUCTION SHAFT THRUST LH	1	
34	D10094050	GEAR ASSY. TRANS. REDUCTION UNIT Z-45/26	1	
35	D10090460	SHAFT ASSEMBLY COUNTER TRANSMISSION	1	
36	D10005220	WASHER REDUCTION SHAFT THRUST RH	1	
37	D10005210	BEARING ROLLER 2210	1	
38	D10138410	WASHER THRUST GEAR REVERSE IDLER	2	
39	D10201270	GEAR REVERSE IDLER TRANSMISSION Z16/17 (ECEL)	1	
40	D10106190	BEARING NEEDLE ROLLER (25x33x23.8)	2	
41	D10106210	SPACER GEAR IDLER REVERSE	1	
42	D10005180	BOLT THRUST M8x1.25x46 HEX	1	
43	D10005170	WASHER BOLT THRUST	1	
44	D10106200	SHAFT TRANSMISSION GEAR IDLER REVERSE	1	
45	D10197940	BEARING NEEDLE ROLLER (56x61x35)	2	

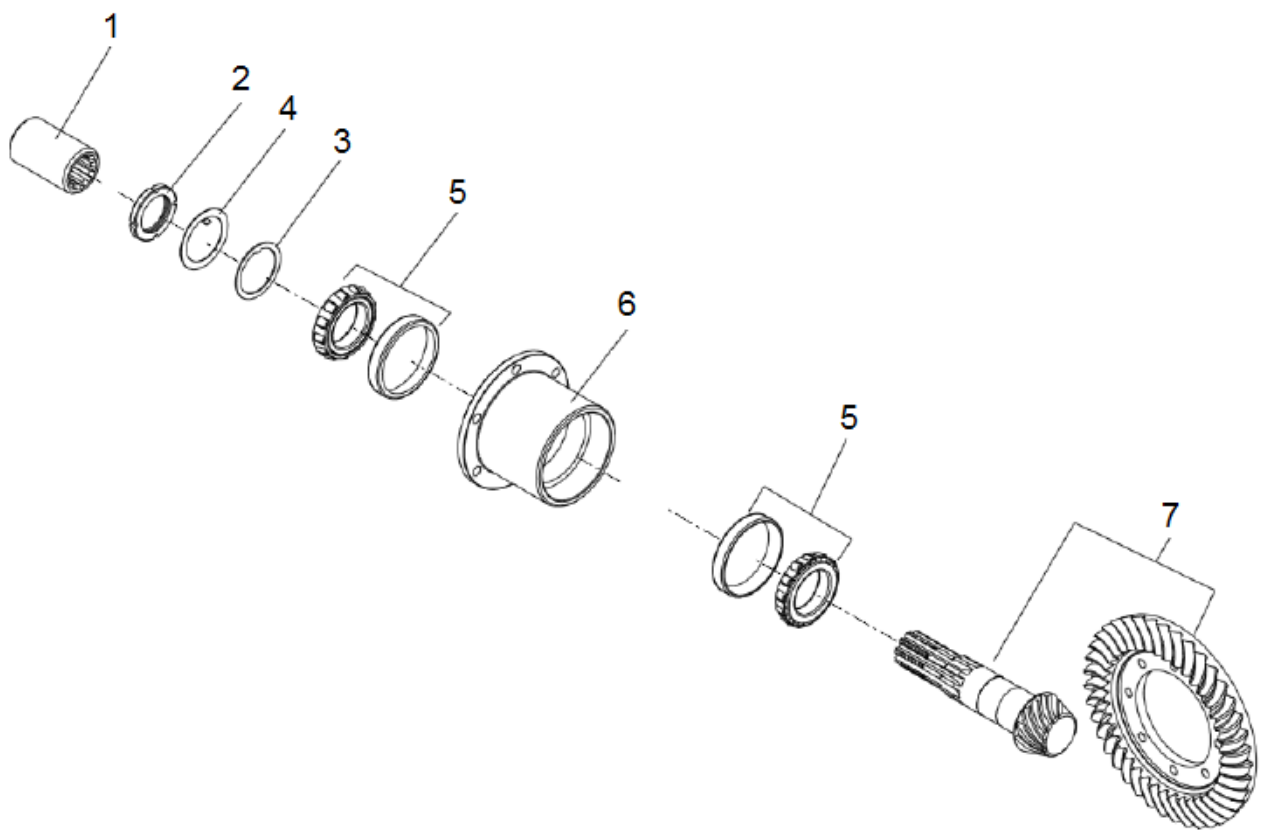
Differential Housing



HYDRA-14-4P-2P

TRANSMISSION		Differential Housing		
S No	Part No	Description	Qty	Remarks
1	D81500080	BOLT M12x1.75x40-8.8 HEX HEAD	8	
2	D86500020	WASHER M12 SPRING LOCK	15	
3	D10231580	INDICATOR ASSY TRANSMISSION OIL LEVEL (ECEL)	1	
4	D10200000	SEAL O RING (ECEL)	1	
5	D87500040	PIN 13x34 DOWEL	6	
6	D10227590	GASKET COVER HSG. REAR AXLE TOP (ECEL)	1	
7	D81500060	BOLT M10x1.50x30-8.8 HEX HEAD	2	
8	D83500040	NUT M12x1.75-6 HEX	2	
9	D10024460	STUD B M12x50-8.8	2	
10	D87500030	PIN 10x22 DOWEL	2	
11	D10007350	GASKET CASE ASSEMBLY TRANSMISSION	1	
12	D10201220	HOUSING ASSEMBLY REAR AXLE CENTRE	1	
13	D10006980	SHIM RETAINER BRG. PINION SHAFT (0.152-0.203 MM)	AR	
13-a	D10006990	SHIM RETAINER BRG. PINION SHAFT (0.279-0.330 MM)	AR	
13-b	D10007000	SHIM RETAINER BRG. PINION SHAFT (0.381-0.432 MM)	AR	
14	D10006910	RETAINER ASSY. BEARING PINION SHAFT	2	
15	D90500010	CIRCLIP B110x4.0 N	2	
16	D10227580	GASKET REAR AXLE SHAFT (ECEL)	2	
17	D10006560	WASHER M14 FIBRE	1	
18	D10006570	PLUG DRAIN M14x1.5x10	1	
19	D10201280	COVER CENTER HOUSING REAR AXLE TOP (ECEL)	1	

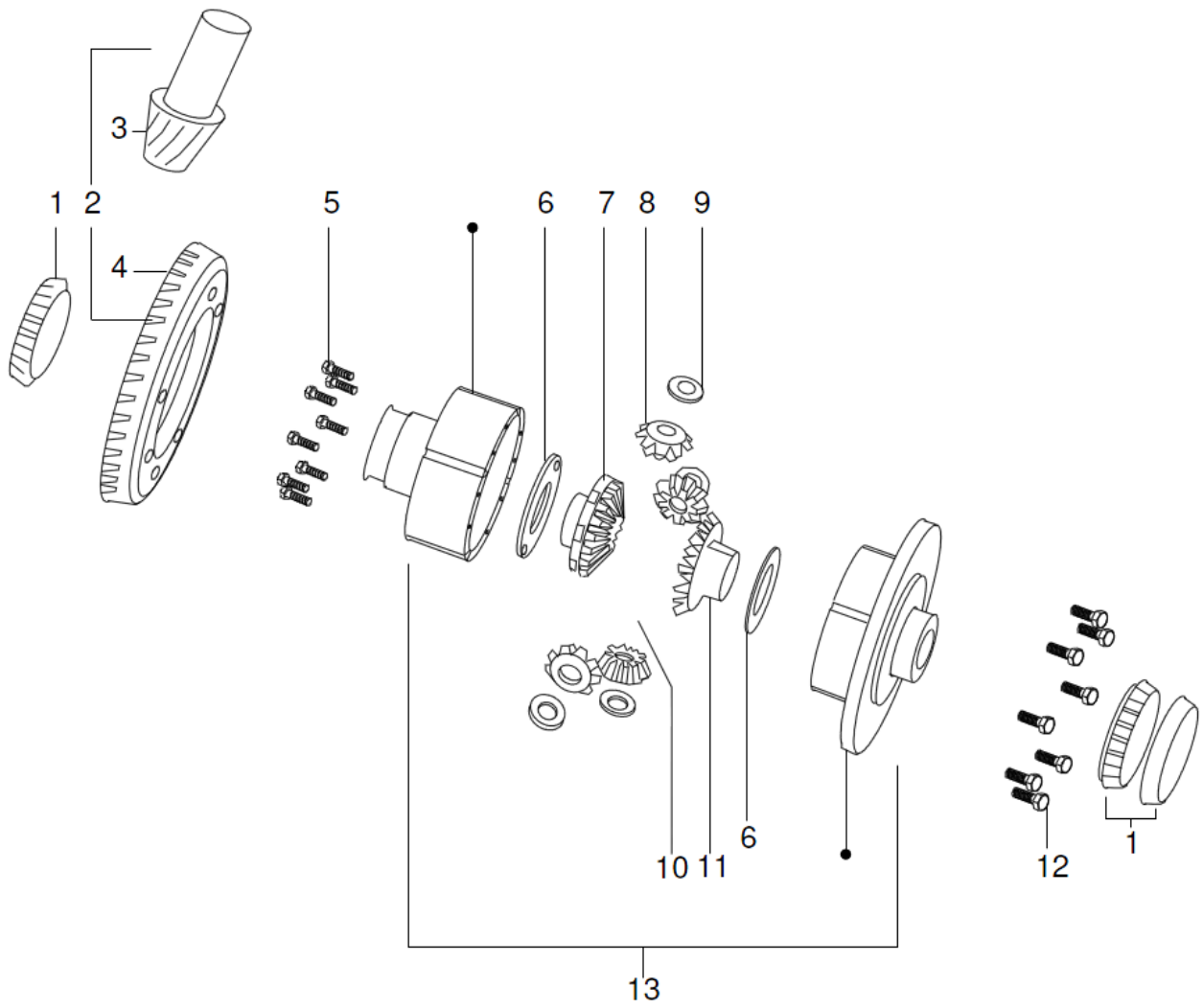
Gear Box, Levers, Shafts, Gearwheel



HYDRA-14-4P-2P

TRANSMISSION		Gear Box, Levers, Shafts, Gearwheel		
S No	Part No	Description	Qty	Remarks
1	D10006960	SLEEVE BEVEL PINION CONNECTING	1	
2	D10006930	NUT M45x1.5 LOCK	1	
3	D10006920	WASHER BEVEL PINION BEARING LOCK	1	
4	D10007880	WASHER TAB D 45x65x6.6	1	
5	D10022370	BEARING TAPER ROLLER 32309	2	
6	D10004330	HOUSING BEVEL PINION BEARING	1	
7	D10190240	GEAR SET BEVEL PINION AND CROWN WHEEL REAR AXLE	1	

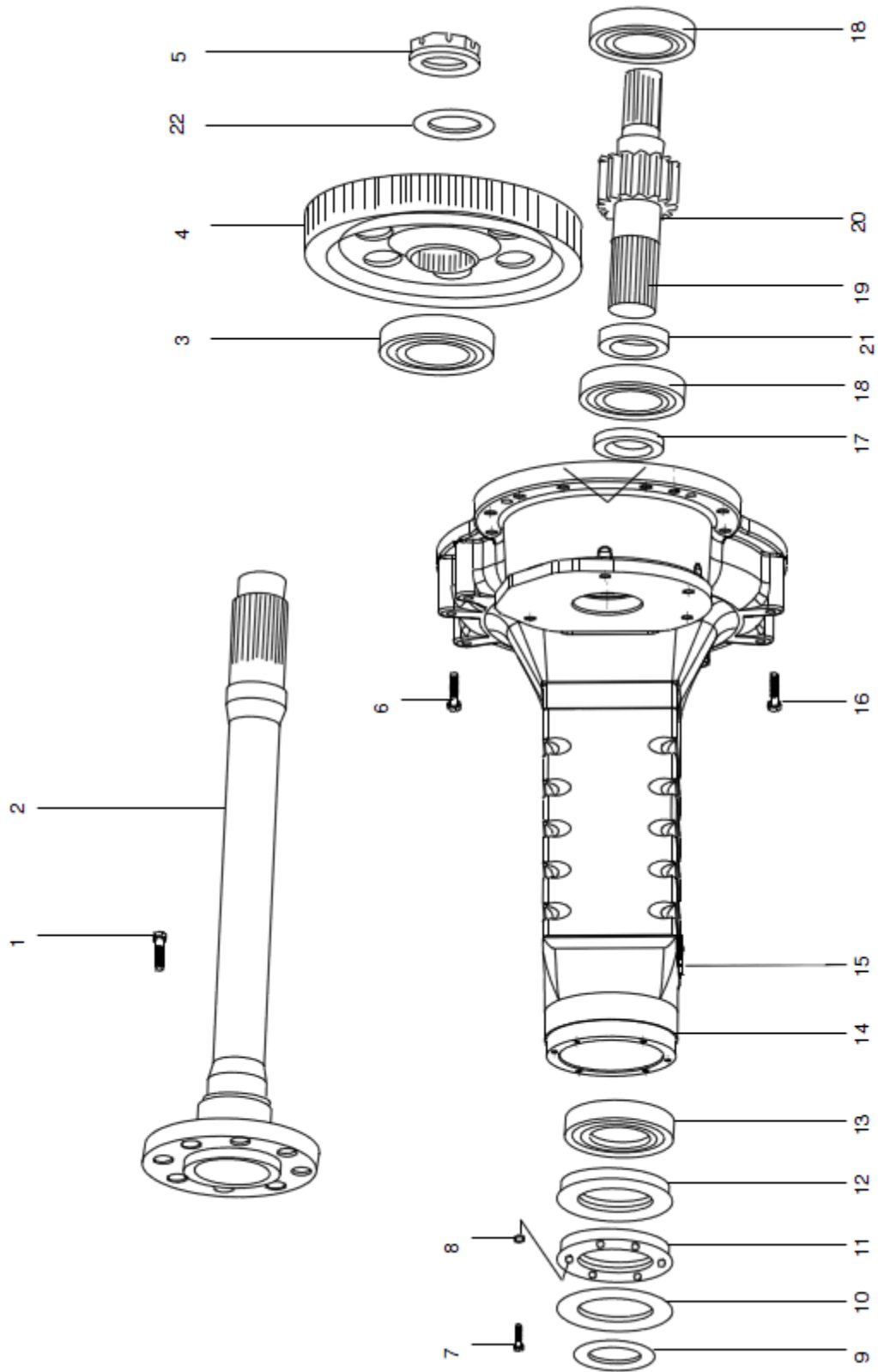
Casing With Crown Wheel



HYDRA-14-4P-2P

TRANSMISSION		Casing With Crown Wheel		
S No	Part No	Description	Qty	Remarks
1	D10022350	BEARING TAPER ROLLER 30214	2	
2	D10190240	GEAR SET BEVEL PINION AND CROWN WHEEL REAR AXLE (STRAIGHT AXLE)	1	
3	D10190250	SHAFT BEVEL PINION REAR AXLE DIFFERENTIAL	1	
4	D10023050	GEAR DRIVEN REAR AXLE DIFFERENTIAL	1	
5	D10052770	BOLT REAR AXLE DIFFERENTIAL CASING	8	
6	D10107270	WASHER REAR AXLE DIFFERENTIAL THRUST	2	
7	D10052740	PINION BEVEL REAR AXLE DIFFERENTIAL LH (Z-18)	1	
8	D10052750	GEAR SATELLITE REAR AXLE DIFFERENTIAL	4	
9	D10052690	WASHER REAR AXLE DIFFERENTIAL PINION FRICTION	4	
10	D10052760	SPIDER REAR AXLE DIFFERENTIAL	1	
11	D10052730	PINION BEVEL REAR AXLE DIFFERENTIAL RH (Z-18)	1	
12	D10052710	BOLT M12x1.25x35-10.9 HEX HEAD COLLARED	12	
13	D10052810	CASING ASSY. REAR AXLE DIFFERENTIAL	1	

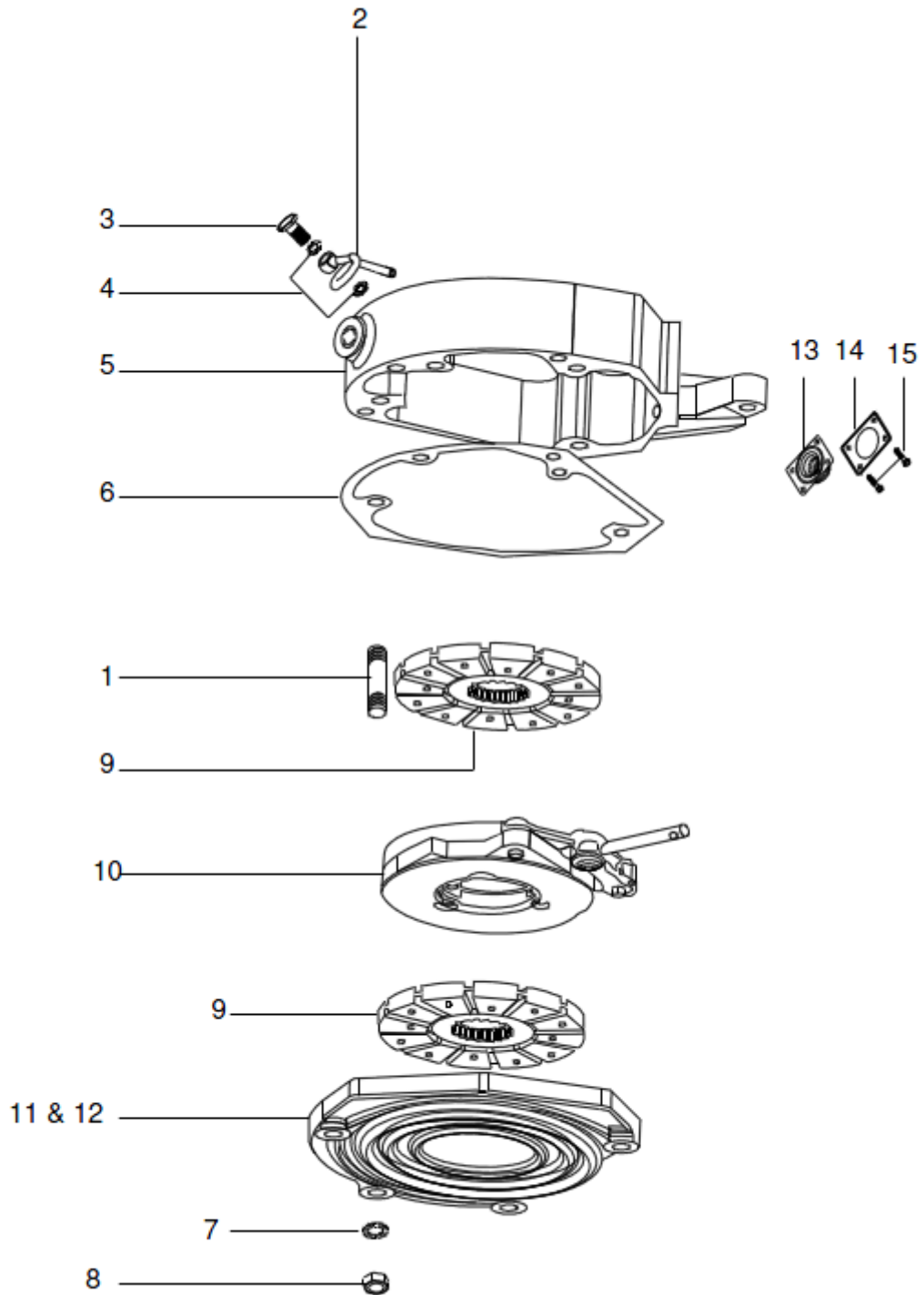
Axle Housing, Shafts & Bill Gear



HYDRA-14-4P-2P

TRANSMISSION		Axle Housing, Shafts & Bull Gaer		
S No	Part No	Description	Qty	Remarks
1	D10103240	BOLT REAR WHEEL HUB	16	
2	D10201310	SHAFT REAR AXLE (ECEL)	2	
3	D10201290	BEARING TAPER ROLLER 30312	2	
4	D10094320	GEAR FINAL DRIVE REDUCTION Z-60	2	
5	D10201320	NUT RING M48x.05 (ECEL)	2	
6	D10007160	BOLT M12x1.75x105-10.9 HEX HEAD	16	
7	D82500220	SCREW M6x15-8.8	12	
8	D86500040	WASHER M6 SPRING LOCK	12	
9	D10201990	SEAL OIL REAR AXLE COVER OUTER	2	
10	D10089000	GASKET RRW SHAFT - OIL SEAL COVER	1	
11	D10251060	COVER SEAL	2	
12	D10083140	SEAL OIL REAR AXLE SHAFT OUTER	2	
13	D10201300	BEARING TAPER ROLLER 30213	2	
14	D10200910	HOUSING REAR AXLE SHAFT LH (ECEL)	1	
15	D10200900	HOUSING REAR AXLE SHAFT RH (ECEL)	1	
16	D10007150	BOLT M12x1.75x45-10.9 HEX HEAD	16	
17	D10193420	SEAL OIL REAR AXLE SHAFT INNER	2	
18	D10007090	BEARING BALL 6310	4	
19	D10159750	SHAFT PINION REAR AXLE RH Z-16	1	
20	D10159740	SHAFT PINION REAR AXLE LH Z-16	1	
21	D10134780	SLEEVE PINION SHAFT	2	
22	D10201770	SHIM 0.075mm REAR AXLE SHAFT	AR	
22	D10201790	SHIM 0.2285mm REAR AXLE SHAFT	AR	
22	D10201800	SHIM 0.4068mm REAR AXLE SHAFT	AR	
22	D10201810	SHIM 0.5335mm REAR AXLE SHAFT	AR	
22	D10201820	SHIM 0.7875mm REAR AXLE SHAFT	AR	

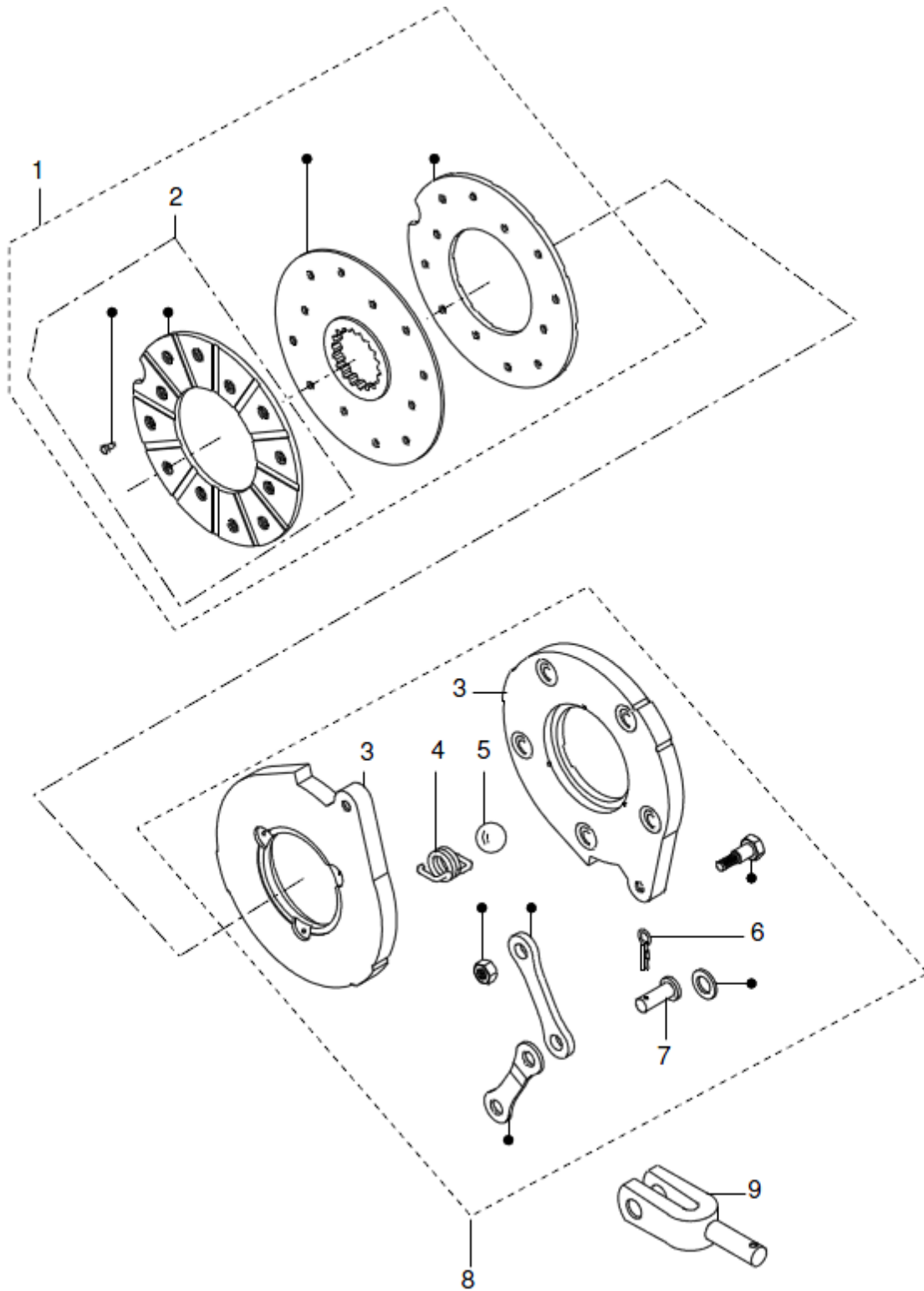
Brake Housing & Grilling Plate



HYDRA-14-4P-2P

TRANSMISSION		Brake Housing & Grilling Plate		
S No	Part No	Description	Qty	Remarks
1	D84500120	STUD M12x1.75x118x10.9	8	
2	D10183620	TUBE ASSY. DISC BRAKE VENTILATION	2	
3	D10006480	BOLT HYDRAULIC CONNECTION M18x1.5x30-S8	2	
4	D10005880	WASHER M18 FLAT COPPER	4	
5	D10192100	HOUSING REAR AXLE SHAFT	2	
6	D10192130	GASKET COVER PLATE DISC BRAKE	4	
7	D86500020	WASHER M12 SPRING LOCK	8	
8	D83500250	NUT M12x1.75-10 HEX	8	
9	D10248940	DISC ASSY. REAR WHEEL BRAKE FRICTION	4	
10	D10084270	PLATE ASSEMBLY GIRLING	2	
11	D10192110	COVER PLATE DISC BRAKE RH	1	
12	D10192120	COVER PLATE DISC BRAKE LH	1	
13	D10007260	GROMMET DISC BRAKE	2	
14	D10007270	RETAINER DISC BRAKE GROMMET	2	
15	D82500070	SCREW M8x1.25x15-6.8 HEX HEAD	8	

Disc Brake



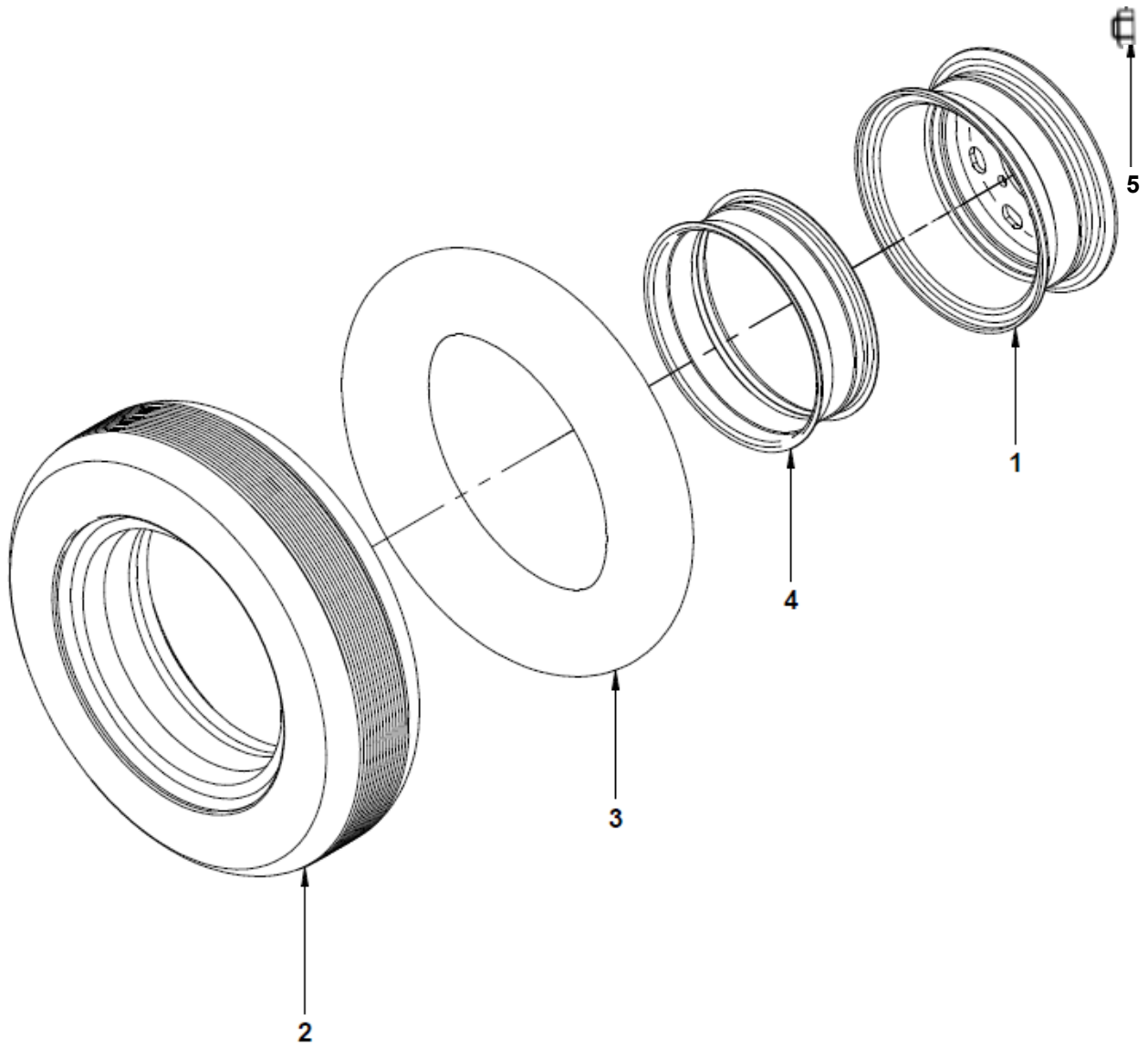
HYDRA-14-4P-2P

TRANSMISSION		Disc Brake		
S No	Part No	Description	Qty	Remarks
1	D10248940	DISC ASSY. REAR WHEEL BRAKE FRICTION	4	
2	D10187310	KIT LINING BRAKE DISC (SET OF 4 PIECES)	2	
3	D10007200	ACTUATOR (GIRLING) PLATES	4	
4	D10050610	SPRING REAR WHEEL BRK. ACTUATING DISC RET.	6	
5	D10050600	BALL REAR WHEEL BRAKE DISC ACTUATING	10	
6	D10050640	PIN SPRING RETAINER	2	
7	D10050630	PIN CLEVIS	2	
8	D10084270	PLATE ASSEMBLY GIRLING	4	
9	D10007210	LINK HYDRAULIC LIFT CONTROL PULL ROD	2	

HYDRA-14-4P-2P

TRANSMISSION		Front Axle Hub		
S No	Part No	Description	Qty	Remarks
1	7200283	FRONT HUB	2	
2	8602060	SPACER RING	2	
3	8602070	OIL SEAL	2	
4	7200305	BRAKE DRUM	2	
5	9100088	SPRING LOCK WASHER	8	
6	9100092	SPRING LOCK WASHER	4	
7	9100600	WHEEL NUT	16	
8	8602130	SPACER	2	
9	8602150	LOCKING PLATE	2	
10	8602160	GASKET	2	
11	8602172	COVER PLATE	2	
12	8602180	CIRCLIP INTERNAL	2	
13	8N221042500	TAPER ROLLER BEARING	2	
14	8N221042800	TAPER ROLLER BEARING	2	
15	9100185	HEXAGON HEAD SCREW	4	
16	9100067	HEXAGON HEAD BOLT	4	
17	9100280	COUNTERSUNK SCREW	8	
18	9100060	PREVAILING TORQUE TYPE NUT	8	
19	V19258010	BREAK ASSY LH	1	
20	V19258020	BREAK ASSY RH	1	
21	9100028	WHEEL BOLT	16	
22	9100309	PREVAILING TORQUE TYPE NUT	4	
23	9100283	HEXAGON HEAD SCREW	4	
24	8602140	CASTLE NUT	4	

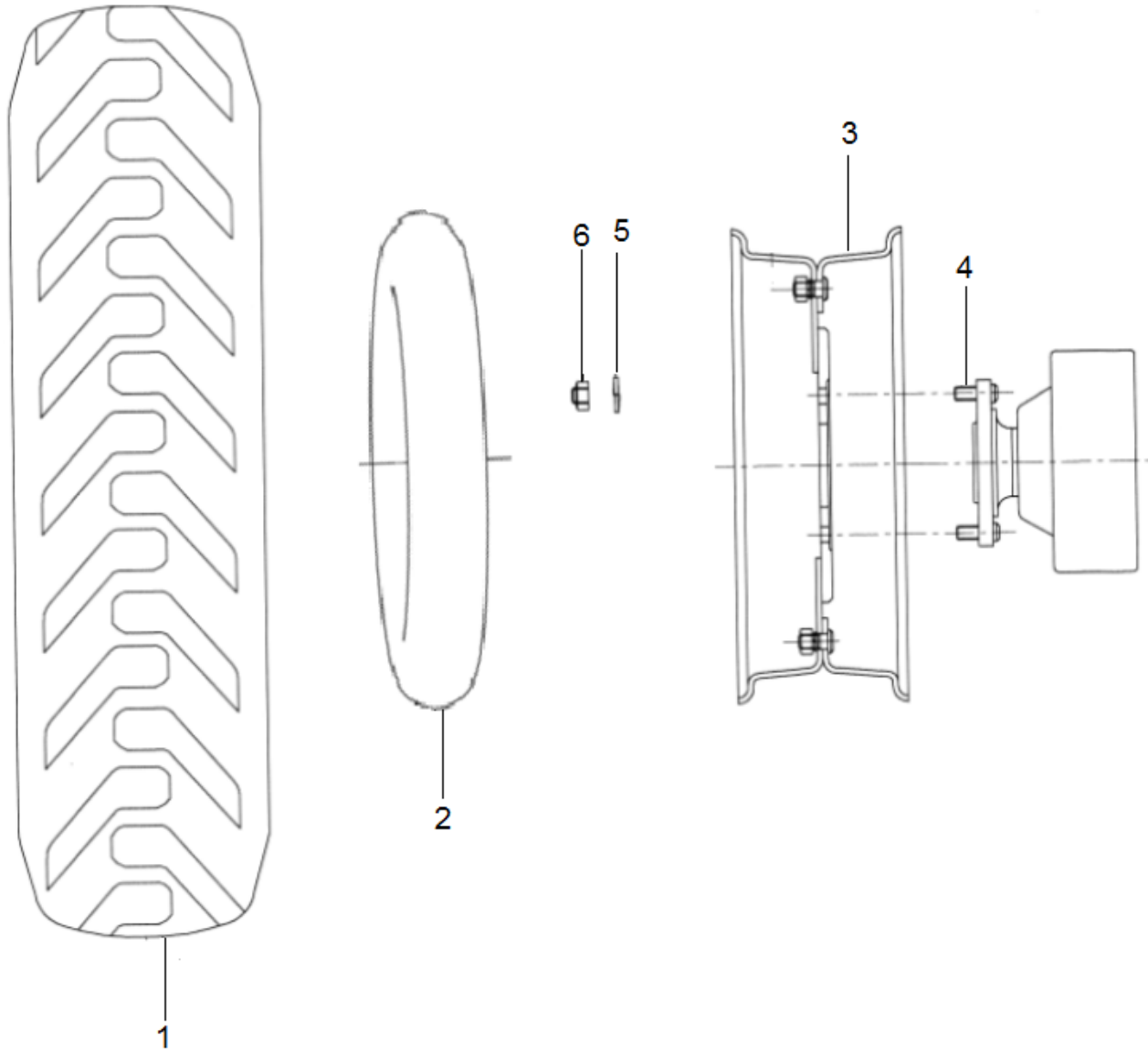
Front Wheel Assy_7200286



HYDRA-14-4P-2P

TRANSMISSION		Front Wheel Assy		
S No	Part No	Description	Qty	Remarks
1	8PP10744000	WHEEL RIM	2	
2	8T553003400	TYRE	2	
3	8T552502900	TUBE	2	
4	8T800011900	FLAPPER	2	
5	9100600	FLANGED NUT M22x2.5x33 A/F (F3569510)	16	

Rear Wheel Assy_826A2012000



HYDRA-14-4P-2P

TRANSMISSION		Rear Wheel Assy		
S No	Part No	Description	Qty	Remarks
1	8N222586500	TYRE	2	
2	8N222544000	TUBE WITH FLAP	2	
3	7201769	RIM	2	
4	8540050	BOLT	32	
5	9100086	SPRING WASHER	32	
6	9100169	NUT	32	M20X1.5
	C8N222812000	FLAPPER	2	

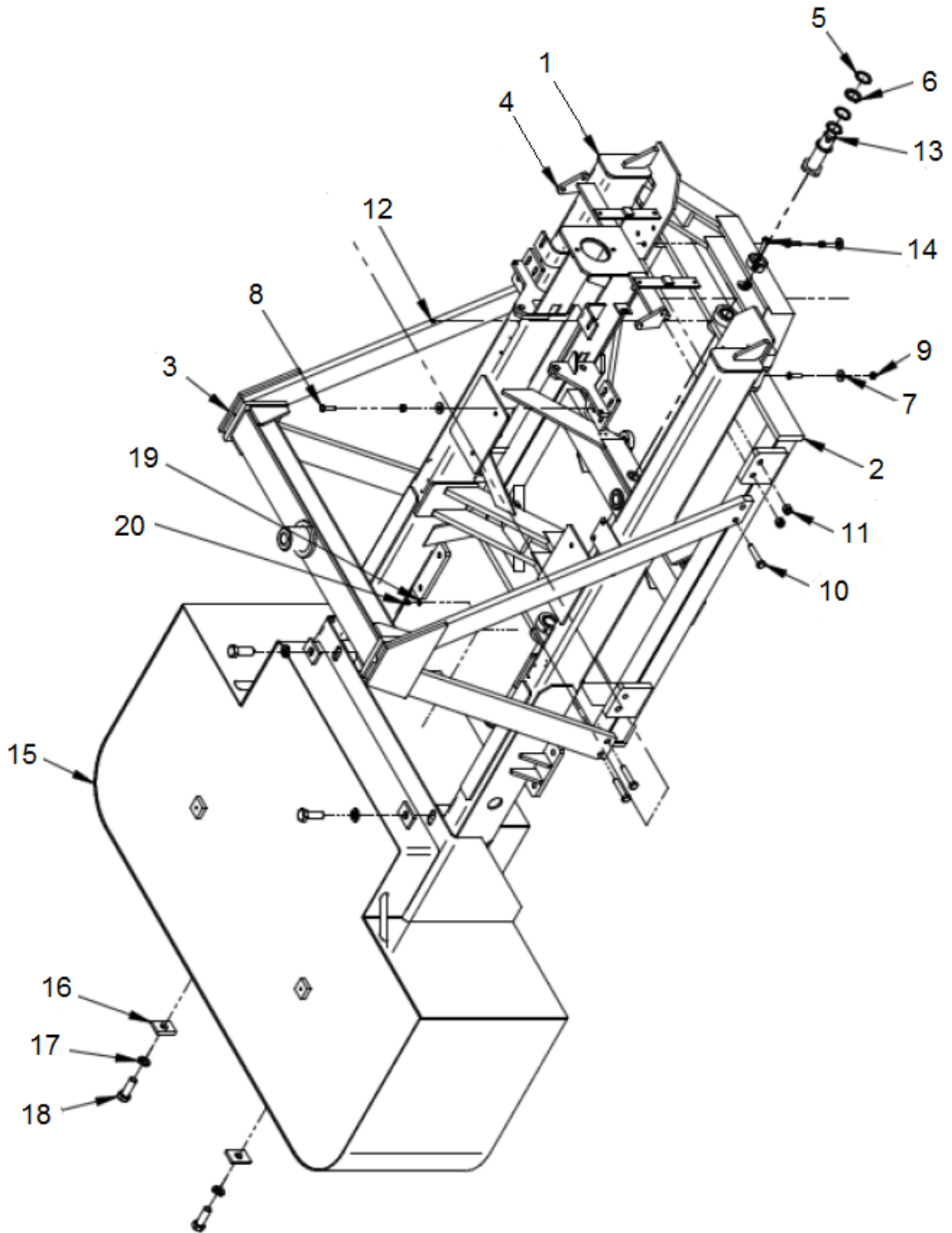


STRUCTURE

HYDRA-14-4P-2P

STRUCTURE		Hyd & Fuel Tank Assy		
S No	Part No	Description	Qty	Remarks
1	7200857	TANK & CAB MTG LH	1	
2	7200858	TANK & CAB MTG RH	1	
3	9100090	HEXAGON HEAD BOLT-IS:1364:2002(PART I)/M12X40-8.8	4	
4	9100088	SPRING LOCK WASHER A12, IS:3063	8	
5	9100081	HEXAGONAL NUT-IS1364(PART-4)/ISO4032-M12-05	4	
6	7203948	HYD. TANK	1	
7	7203243	FUEL TANK	1	
8	9100059	PUNCHED WASHER A14 IS: 2016-STEEL	4	
9	9100130	HEX_HEAD_BOLT_M12X30-8.8_IS1364.par	4	
10	9100062	PUNCHED WASHER A9 IS: 2016-STEEL	1	
11	9100046	SPRING LOCK WASHER A8-IS:3063	1	
12	9100167	HEXAGON HEAD SCREW-IS 1364 - M8X16-8.8	4	
13	8T080604001	FUEL COCK	1	
14	8T050602000	CAP FUEL TANK	1	
15	9100099	COPPER WASHER	8	
16	7201880	HYD.OIL LEVEL PIPE	1	
17	7200416	FUEL LEVEL PIPE	1	
18	8T540000170	BANJO BOLT	4	
19	19C4002	FLANGE PLATE	1	
20	19C4001	GASKET	1	
21	9100052	HEXAGON HEAD SCREW IS 1364 7-M8X20-8.8	8	
22	7202267	PLUG	1	
23	8V19451770	AIR BREATHER ASSY	1	
24	9100445	HEXAGON HEAD SCREW-IS 1364 - M6X15-8.8	6	
25	C9100150	SPRING LOCK WASHER A6- IS:3063	6	
26	8V014702100	SUCTION STRAINER	1	
27	19C2030	FILTER TAIL PIPE	1	
28	8V194588000	RETURN LINE FILTER	1	
29	V19451670	STRAIGHT ADAPTER 1"X1" BSP	1	
30	8G956010020	DOWTY SEAL (1" BSP)	1	
31	8G956010070	DOWTY SEAL	1	
32	9100166	HEXAGON HEAD SCREW-IS 1364 - M8X25-8.8	2	
33	85094600	LOCK NUT	1	
34	8T65030090	MAGNETIC PLUG	2	

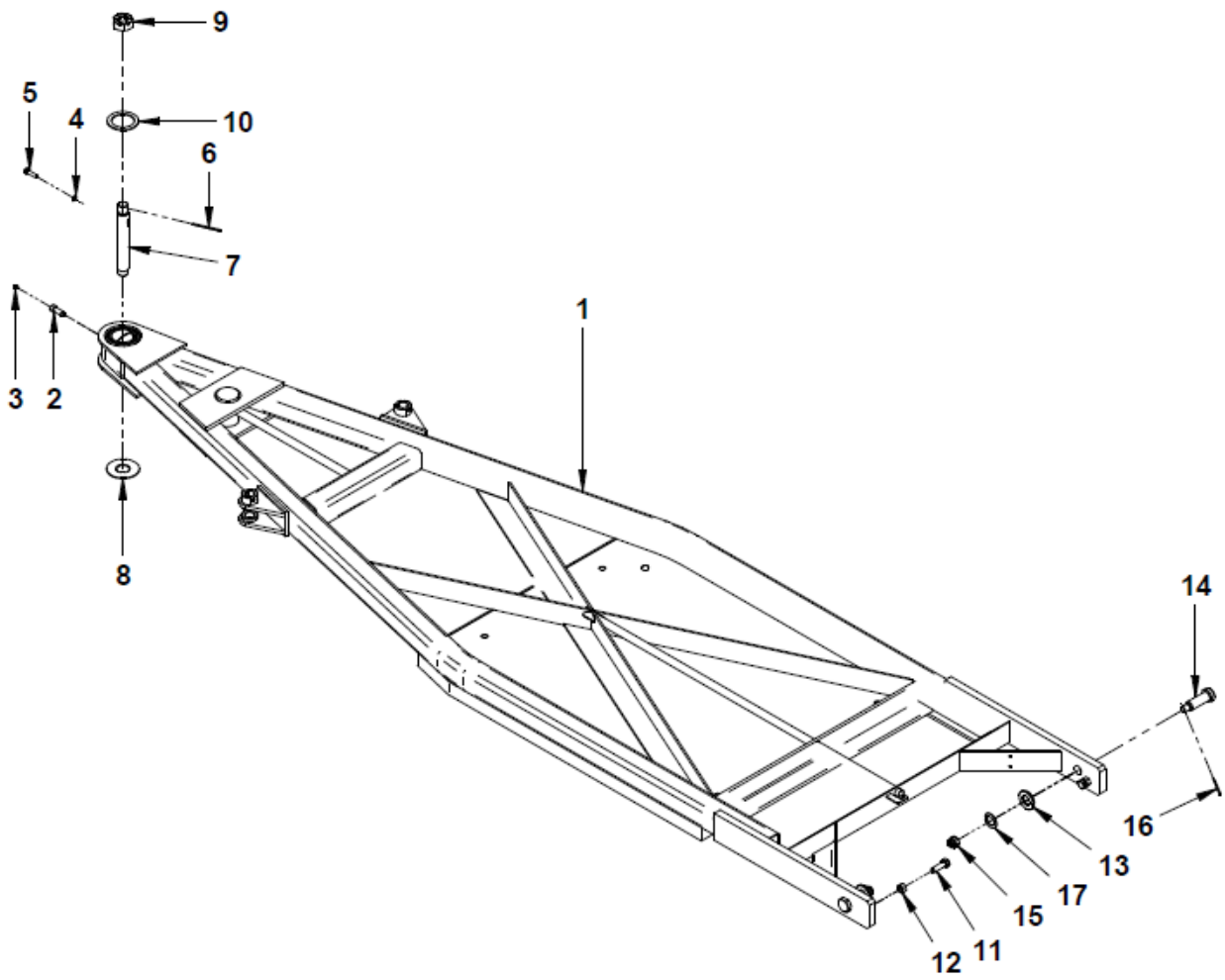
Lower Structure Assy



HYDRA-14-4P-2P

STRUCTURE		Lower Structure Assy		
S No	Part No	Description	Qty	Remarks
1	7204010	BASE FRAME	1	
2	7203978	CRADLE BASE	1	
3	7201420	YOKE FAB.	1	
4	7202184	FRONT SUPPORT (WITH ESCORTS ENGINE)	1	
4	7205041	FRONT SUPPORT (WITH SIMPSON ENGINE)	1	
5	Y0528141	CRADLE SPACER	4	
6	Y0526280	WASHER	2	
7	V19460650	SPECIAL WASHER	8	
8	9100067	HEXAGON HEAD BOLT-IS:1364:2002(PART I)/M12X45-8.8	8	
9	9100060	PREVAILING TORQUE TYPE NUT-M12-IS 7002-8-P	10	
10	9100287	HEXAGON HEAD SCREW-IS 1364 - M16X80-8.8	8	
11	9100309	PREVAILING TORQUE TYPE NUT-M16-IS 7002-8-P	8	
12	9100339	CONICAL HEAD GREASE NIPPLE B, M10X1, IS:4009 (P	1	
13	7200401	PIN ASSY	2	
14	9100230	HEXAGON HEAD BOLT-IS 1364-M12X85-8.8	2	
15	7201742	COUNTER WEIGHT FAB.	1	
16	19C2096	SPECIAL WASHER	4	
17	9100168	SPRING LOCK WASHER A24- IS:3063	4	
18	9100578	HEXAGON HEAD SCREW-IS 1364 - M24X70-10.9	4	
19	7203461	SHIM	1	
20	9100172	CONICAL HEAD GREASE NIPPLE C, M10X1, IS:4009	1	

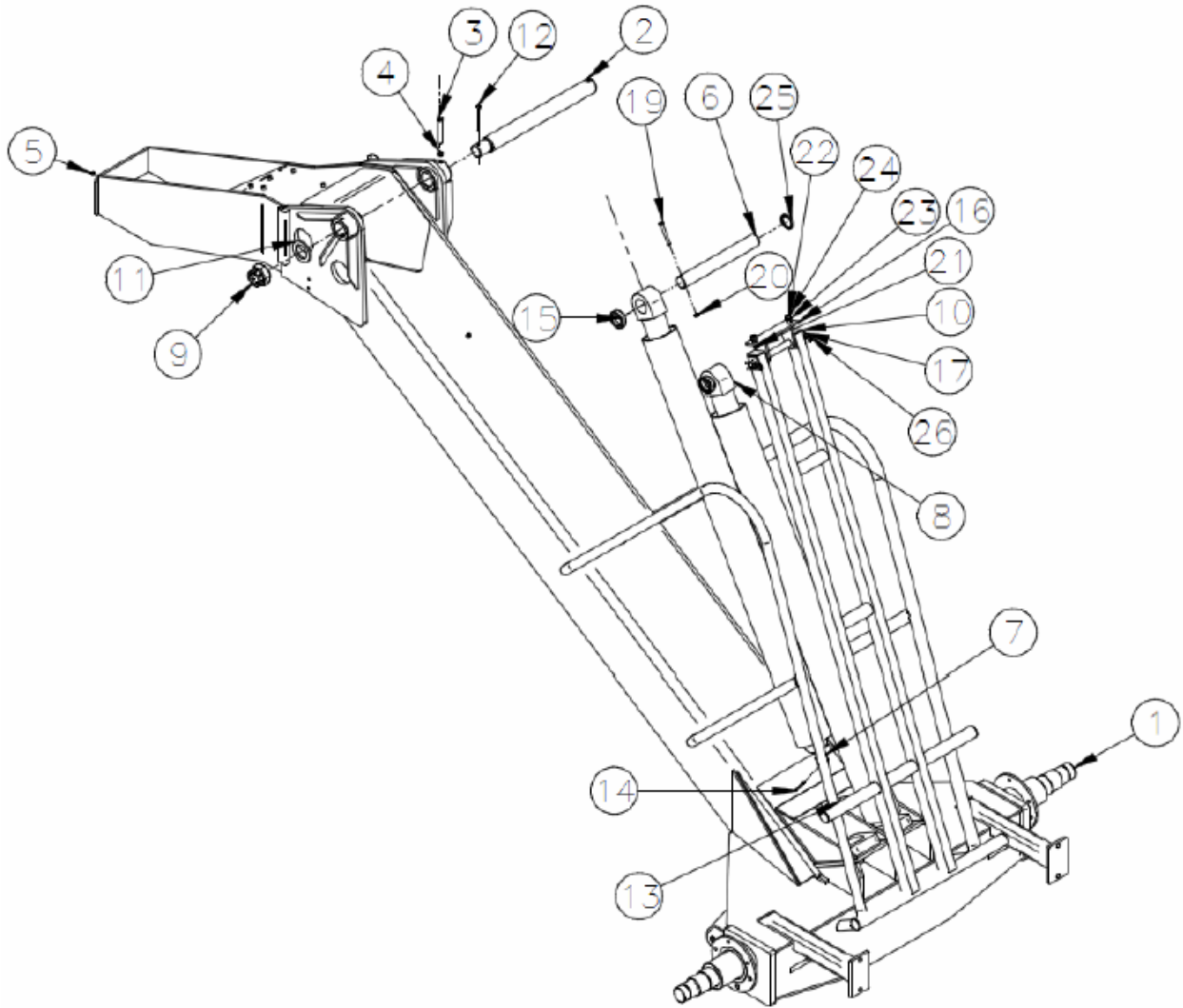
A Frame Mounting



HYDRA-14-4P-2P

STRUCTURE		A Frame Mounting		
S No	Part No	Description	Qty	Remarks
1	7203983	A FRAME FABRICATION	1	
2	Y0126220	ADAPTOR	1	
3	9100043	GREASE NIPPLE	1	
4	9100044	WASHER SPRING	1	
5	9100107	BOLT HEX	1	
6	9100304	PIN SPLIT	1	
7	V19288150	PIN ASSEMBLY	1	
8	8604100B	THRUST WASHER	2	
9	8604121	SLOTTED NUT	1	
10	8604210	WASHER	1	
11	9100283	SCREW HEX	2	
12	9100094	NUT HEX	2	
13	8605210	WASHER	2	
14	8604170	PIN 'A' FRAME	2	
15	8MNH20M2000	SLOTTED NUT	2	
16	9100303	PIN SPLIT	2	
17	V19261370	WASHER	2	

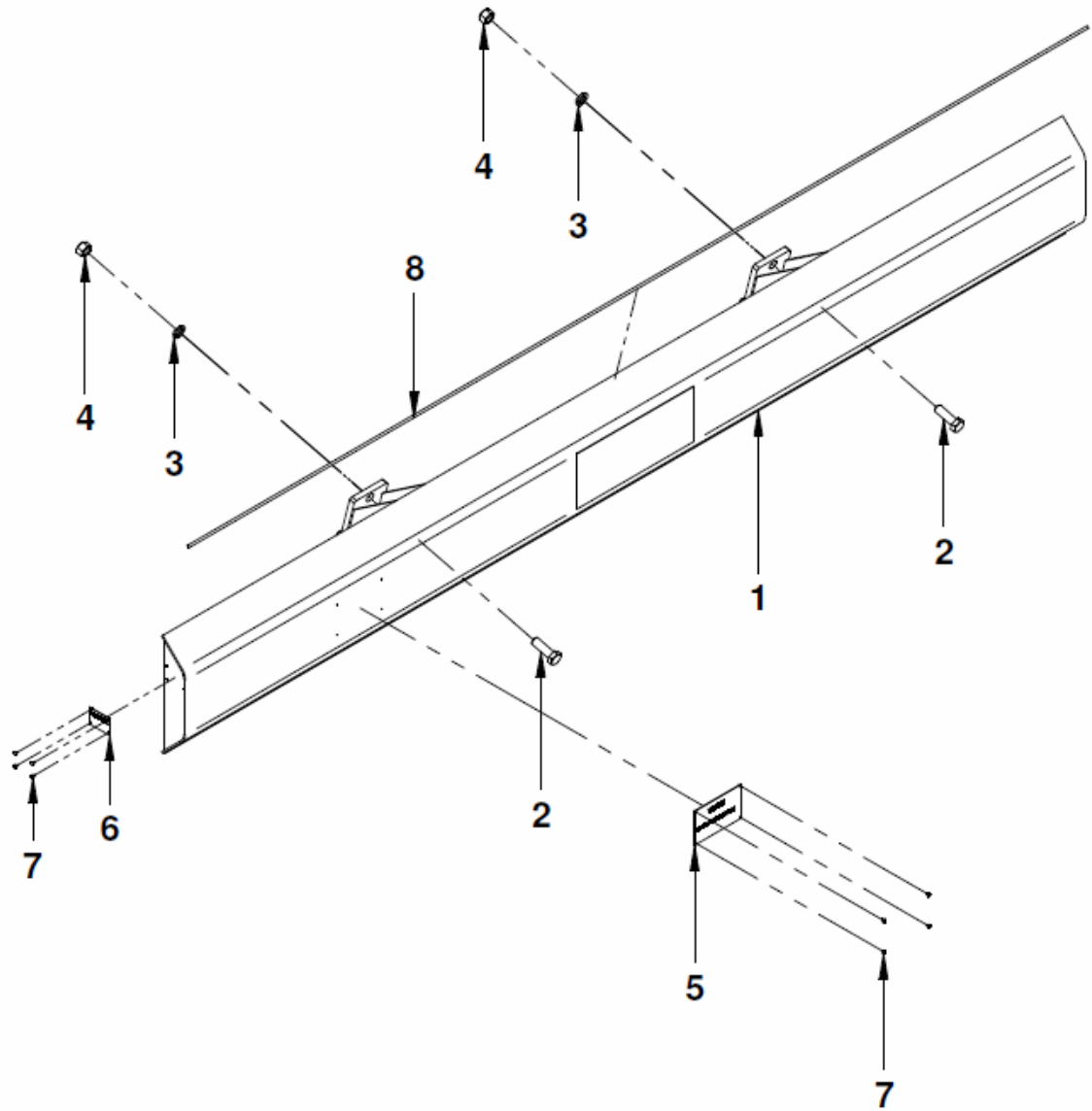
Main Frame Installation-7201268



HYDRA-14-4P-2P

STRUCTURE		Main Frame Installation		
S No	Part No	Description	Qty	Remarks
1	7201218	MAIN FRAME FAB	1	
2	7201275	PIN BOOM PIVOT	1	
3	9100058	HEXAGON HEAD BOLT-IS:1364:2002 M12X110-8.8	1	
4	9100060	PREVAILING TORQUE TYPE NUT-M12-IS 7002-8-P	1	
5	9100339	CONICAL HEAD GREASE NIPPLE B, M10X1, IS:4009 (P	1	
6	23M3004	PIN LUFF CYL.	1	
7	841C1050000	CASTLE NUT M30 IS 2232:1967-B-8	2	
8	8V232747110	LUFF CYLINDER	2	
9	41C1050	CASTLE NUT-2"UNF	1	
10	7203793	'T' HANDLE FAB.	1	
11	24C2028	SPACER	1	
12	9100581	SPLIT PIN 8X100, IS:549	1	
13	V19350010	SHIM	2	
14	9100547	SPLIT PIN 5x80-IS:549	2	
15	26M3051	SPACER	2	
16	8V2327137A0	BRACKET'T'HANDLE	1	
17	V19.26.131.0	PIN	1	
18*	V23260660	GREASING ADAPTOR	1	
19	9100221	HEXAGONAL HEAD BOLT-IS:1364:2002/M10X85-8.8	1	
20	9100041	NYLOCK NUT	1	
21	9100088	SPRING LOCK WASHER A12, IS:3063	2	
22	9100090	HEXAGON HEAD BOLT-IS:1364:2002(PART I)/M12X40-8.8	2	
23	9100059	PUNCHED WASHER A14 IS: 2016-STEEL	4	
24	9100081	HEXAGONAL NUT-IS1364(PART-4)/ISO4032-M12-05	2	
25	26M3069	SPACER,6MM	2	
26	8T011000060	HAIR PIN DIA 5 (DIN11024)	2	

FRONT BUMPER ASSY

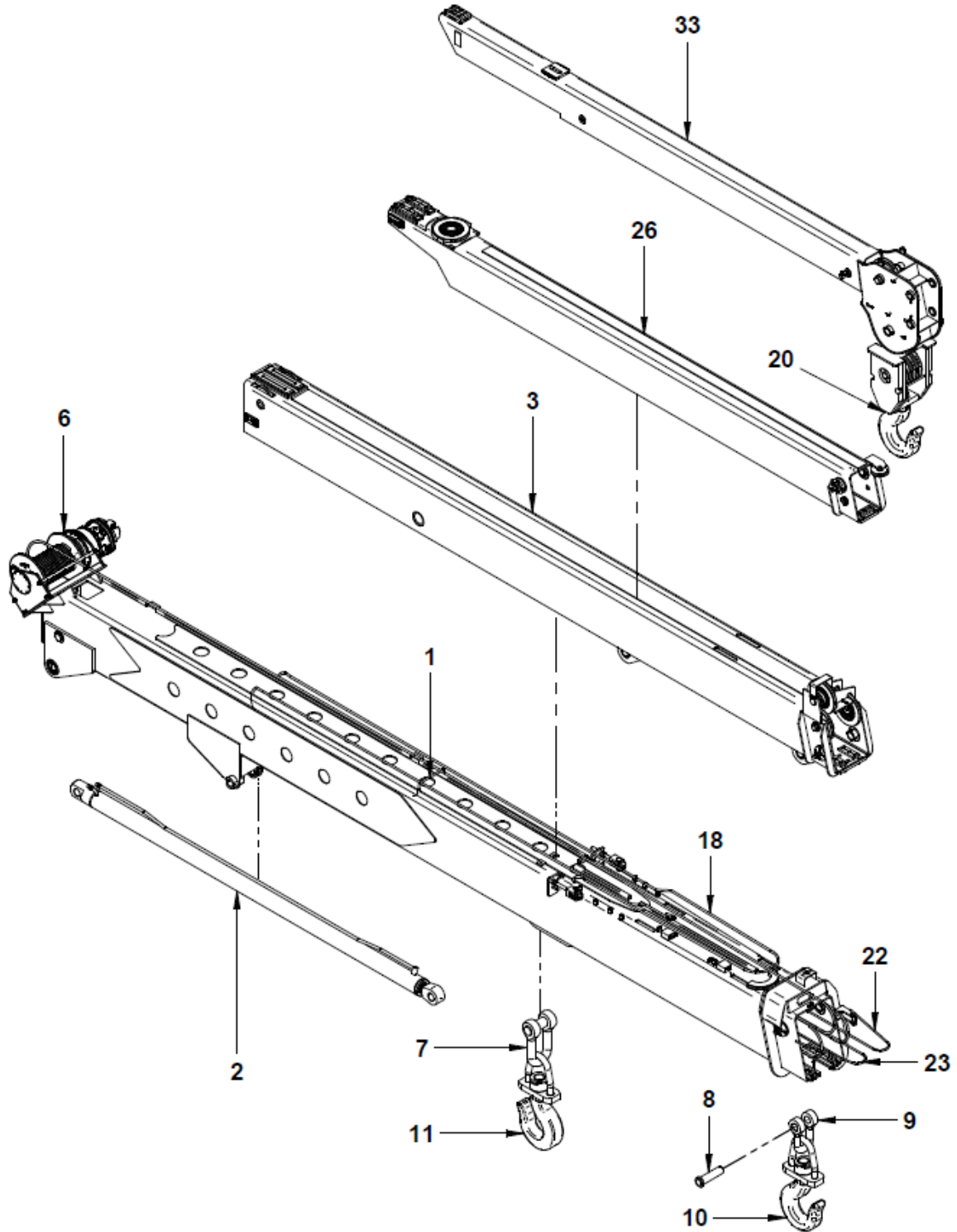


HYDRA-14-4P-2P

STRUCTURE		FRONT BUMPER ASSY(7204948)		
S No	Part No	Description	Qty	Remarks
1	C7204518	FRONT BUMPER	1	
2	C9100283	HEXAGON HEAD SCREW	4	
3	C9100092	SPRING LOCK WASHER	4	
4	C9100094	HEXAGON NUT	4	
5	22-C-3-091	WARNING STICKER	1	
6	23-C-1-001	TYRE PRESSURE STICKER	2	
7	8N155406000	SELF TAPPING RIVET	12	
8	V1817016000	REFLECTIVE TAPE(WHITE)	2	

BOOM ASSY

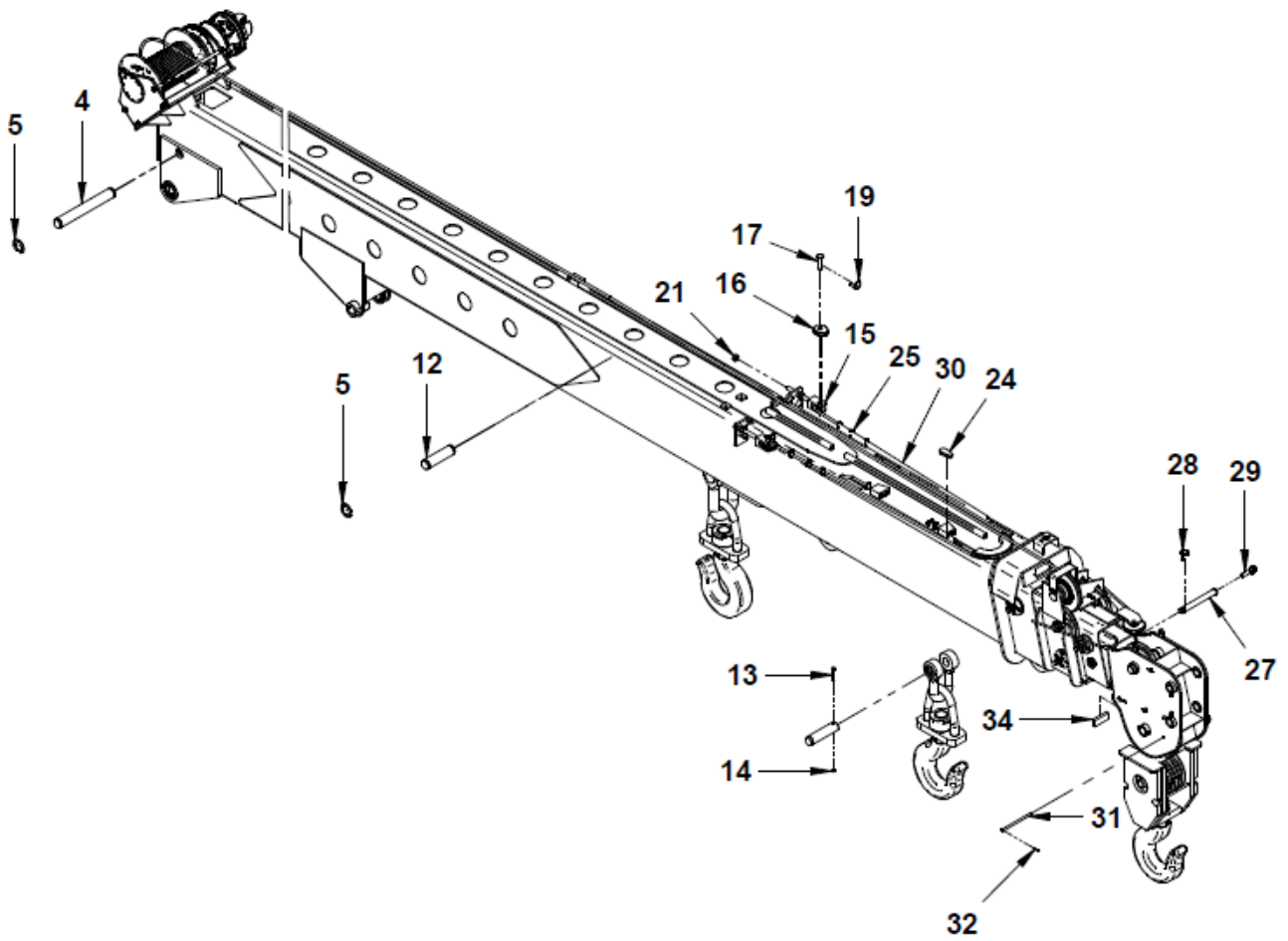
Complete Boom Assy_7201206-Hydra-14-4P



HYDRA-14-4P-2P

BOOM		Complete Boom Assy-Hydra-14-4P		
S No	Part No	Description	Qty	Remarks
1	7200103	MAIN BOOM ASSY	1	
2	7200482	EXT.CYLINDER	1	
3	7200364	FIRST EXT ASSY	1	
6	7202064	WINCH	1	
7	21C2012	'D' SHACKLE WITH PIN	1	
8	V19261570	PIN	1	
9	8V012605001	SMALL DEE SHACKLE	1	
10	8V192648100	HOOK ASSY	1	
11	8V222203900	HOOK ASSY	1	
18	7200415	WIRE ROPE	90M	
20	23A3017	SNATCH BLOCK	1	
22	7202221	WIRE ROPE	16M	
23	7202222	WIRE ROPE	16M	
26	7200036	SECOND EXTN.ASSY	1	
33	7200036	SECOND EXTN.ASSY	1	

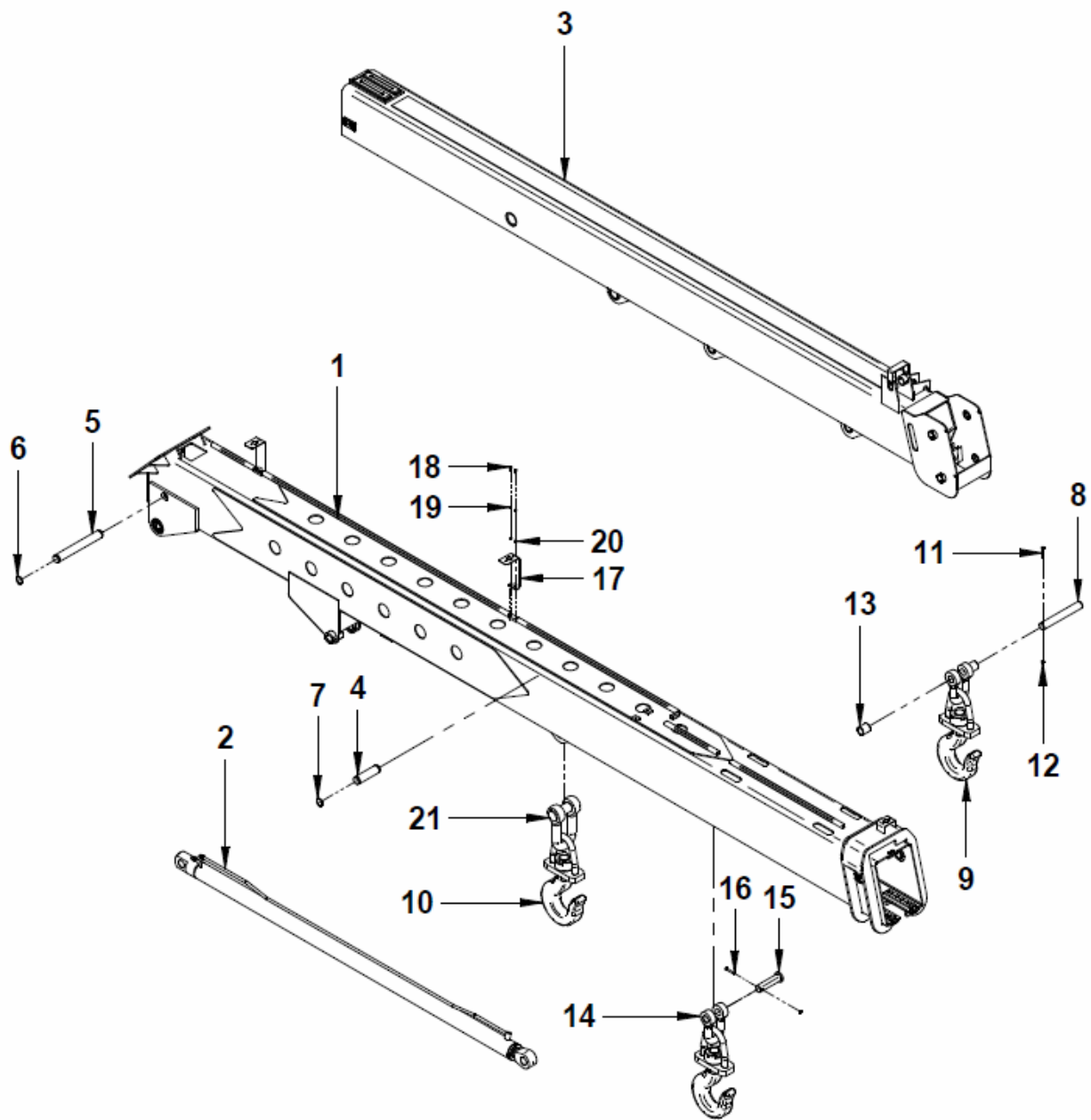
Complete Boom Assy_7201206-Hydra-14-4P



HYDRA-14-4P-2P

Complete Boom Assy-Hydra-14-4P				
S No	Part No	Description	Qty	Remarks
4	23M3005	PIN EXTN.JACK	1	
5	8PP10095000	CIRCLIP EXTERNAL	4	
12	24M2035	PIN FRONT-EXTN.JACK	1	
13	9100225	HEXAGON HEAD BOLT	1	
14	9100041	NYLOCK NUT	1	
15	7201625	TIE ROD	2	
16	26C3088	SOLID THIMBLE	2	
17	26M3057	PIN	2	
19	8T011004850	LINCH PIN	2	
21	9100031	HEXAGON NUT	6	
24	8X224001700	SOLID THIMBLE	2	
25	8M105526000	ROPE CLAMP	8	
27	22M3011	LOCKING PIN	1	
28	8T011004850	LINCH PIN	1	
29	8PP1060900	EYE BOLT	1	
30	8Q021028190	ROPE	3.9M	
31	7200898	PIN ROPE RETAINER	4	
32	8OPS2000250	PIN SPLIT	8	
34	7203808	STOPPER PLATE	1	

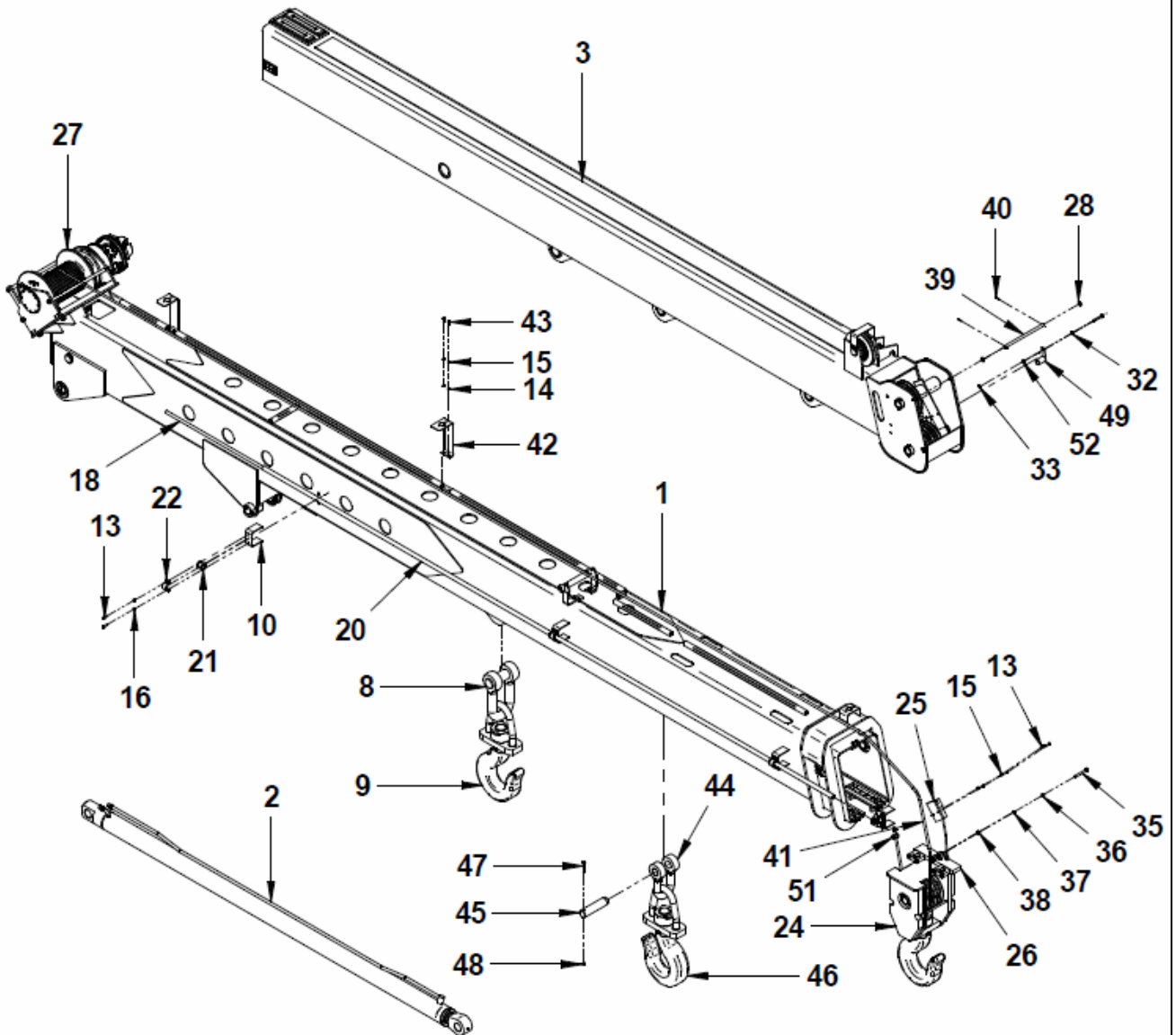
Complete Boom Assy_7203289-Hydra-14-2P Without Winch



HYDRA-14-4P-2P

BOOM		Complete Boom Assy-Hydra-14-2P-Without Winch		
S No	Part No	Description	Qty	Remarks
1	C7203252	MAIN BOOM ASSY	1	
2	C7203936	EXT. CYLINDER	1	
3	C7203259	FIRST EXT ASSY	1	
4	24-M-2-035	PIN FRONT-EXTN.JACK	1	
5	23-M-2-029	PIN EXTN.JACK	1	
6	9100278	CIRCLIP 55x3 H (IS:3075-PART-1)	2	
7	9100466	CIRCLIP 55x2 H (IS:3075-PART-1)	2	
8	V23.27.293.0	PIN	1	
9	V19.26.481.0	HOOK ASSY(10T)	2	
10	V22.22.039	HOOK ASSY(16T)	1	
11	9100066	HEXAGON HEAD BOLT-IS:1364:2002-M10X75-8.8	1	
12	9100041	NYLOCK NUT (PREVAILING TORQUE TYPE NUT	2	
13	26-M-3-023	SPACER-65MM	2	
14	Y.01.26.05.1	SMALL DEE SHACKLE	2	
15	V19.26.157.0	PIN	1	
16	9100220	HEXAGON HEAD BOLT-IS 1364 -M10X70-8.8	1	
17	19-C-2-200	LIGHT_MTG.BKT	2	
18	C9100047	HEXAGONAL HEAD BOLT-IS:1364:2002	4	
19	9100046	SPRING LOCK WASHER A8-IS:3063	4	
20	9100062	PUNCHED WASHER A9 IS: 2016-STEEL	4	
21	21-C-2-012	'D' SHACKLE WITH PIN	1	

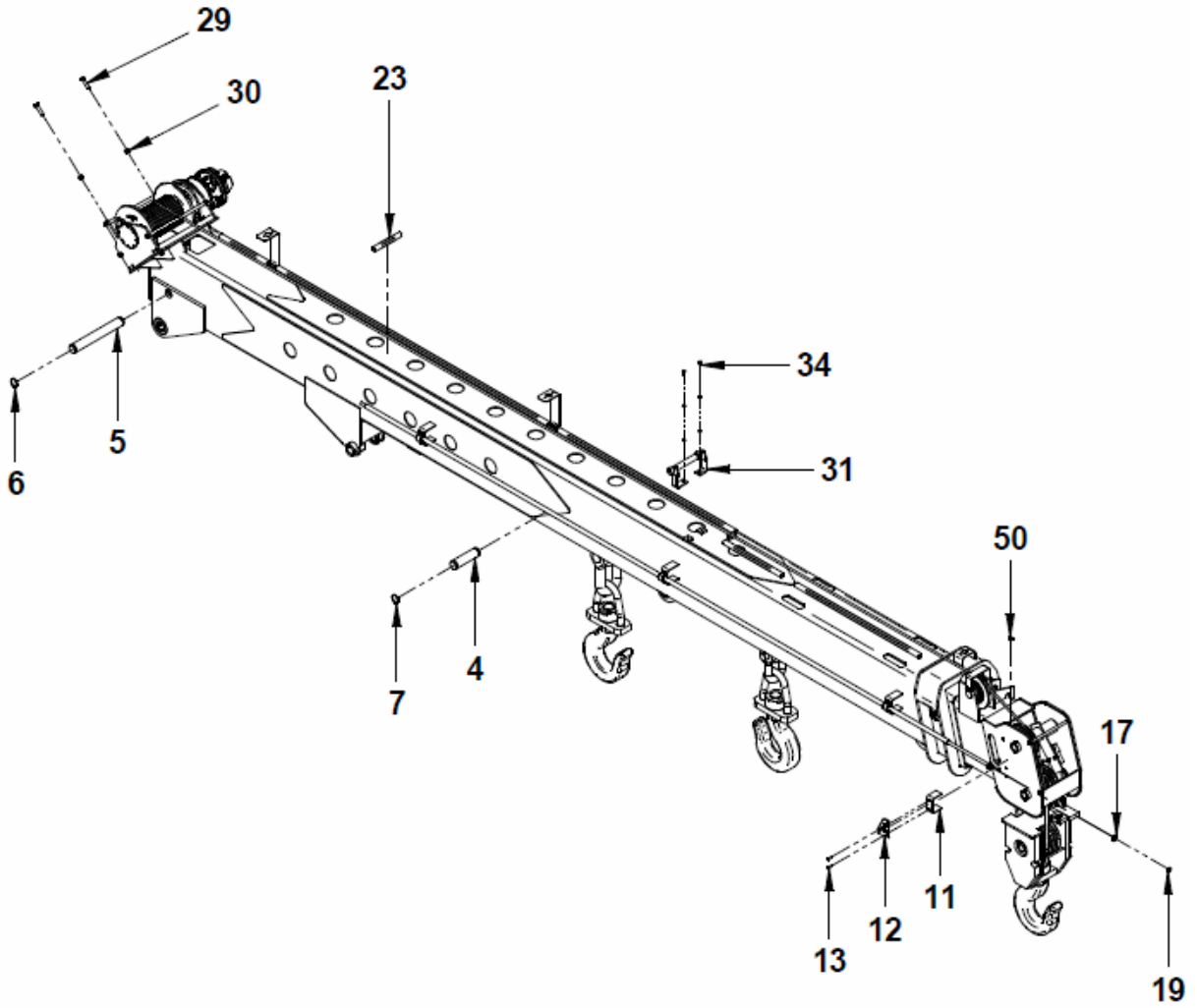
Complete Boom Assy_7203277-Hydra-14-2P With Winch



HYDRA-14-4P-2P

BOOM		Complete Boom Assy-Hydra-14-2P-With Winch		
S No	Part No	Description	Qty	Remarks
1	C7203252	MAIN BOOM ASSY	1	
2	C7203936	EXT CYLINDER	1	
3	C7203276	FIRST EXTN. ASSY	1	
8	21-C-2-012	D SHACKLE WITH PIN	1	
9	V22-22-039	HOOK ASSY 16 TON	1	
10	7202163	PIPE BRACKET	3	
14	9100062	PUNCHED WASHER 9 A IS:2016-1967-STEEL	12	
15	9100046	SPRING LOCK WASHER A8-IS:3063	14	
16	9100068	HEXAGON NUT-IS1364/ ISO 4032-M8-8	10	
18	V23-27-070-0	INNER TUBE ASSY	1	
20	V23-27-071-0	OUTER TUBE ASSY	1	
21	V-05-52-08	NYLON BUSH	3	
22	V-05-52-07-0	CLAMP	3	
24	23-A-3-017	SNATCH BLOCK ASSY	1	
25	19-B-5-002	OVERHOIST SWITCH	1	
26	19-F-3-041	WEIGHT ASSEMBLY	1	
27	7202064	WINCH	1	
28	9100106	PUNCHED WASHER 18A IS:2016-1967-STEEL	8	
32	9100040	PUNCHED WASHER A11 IS: 2016-STEEL	3	
33	9100044	SPRING LOCK WASHER A10 IS:3063	3	
35	9100065	HEXAGON HEAD BOLT-	1	
36	9100059	PUNCHED WASHER 14A IS;2016-1967-STEEL	1	
37	9100088	SPRING LOCK WASHERA12-IS:3063	1	
38	9100081	HEXAGON NUT-IS1364/ ISO 4032-M12-8	1	
39	7202252	ROD ROPE GUIDE	2	
40	9100302	SPLIT PIN 3.5x45 -IS : 549	4	
41	C8Q021028190	WINCH ROPE, 13 DIA, 18x7, NON-ROTATING	1	
42	19-C-2-200	LIGHT MTG. BKT.	2	
43	9100047	HEXAGON HEAD BOLT-IS 1364/ M8x20-8.8	4	
44	Y-01-26-05-1	SMALL 'D' SHACKLE	1	
45	V-19-26-157-0	PIN	1	
46	V19-26-481-B	HOOK ASSY 10 T	1	
47	C9100220	HEXAGON HEAD BOLT- IS 1364/M10x75-8.8	2	
48	9100041	NYLOK NUT(PREVAILING TORQUE TYPE NUT	1	
49	8G337702231	PIN	1	
51	8M105526000	WIRE CLAMP	3	
52	9100076	HEXAGON NUT	1	

Complete Boom Assy_7203277-Hydra-14-2P With Winch



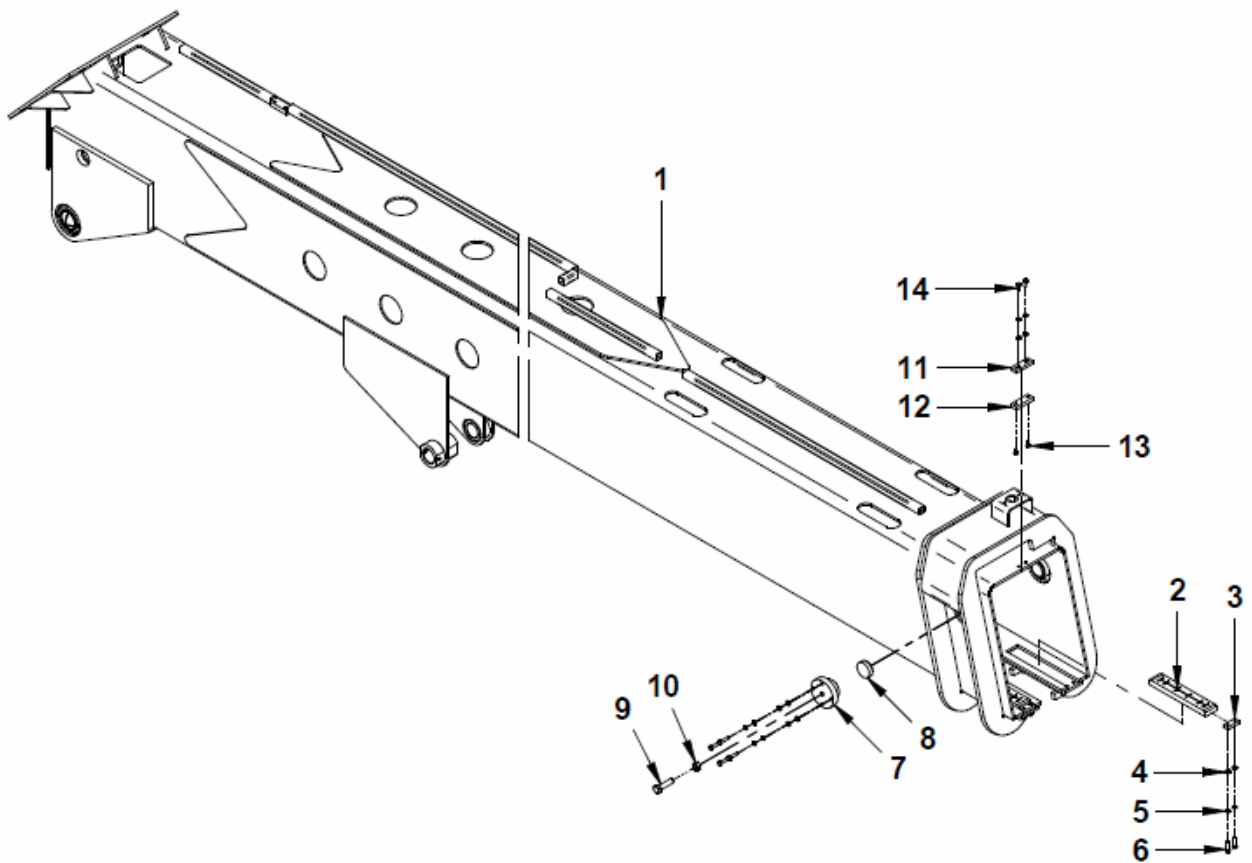
HYDRA-14-4P-2P

BOOM		Complete Boom Assy-Hydra-14-2P-With Winch		
S No	Part No	Description	Qty	Remarks
4	24-M-2-035	PIN FRONT EXT JACK	1	
5	23-M-2-029-0	PIN EXT JACK REAR	1	
6	9100278	CIRCLIP 55X3 (IS:3075 PART-1)	2	
7	9100466	CIRCLIP 55X3 (IS:3075 PART-1)	2	
11	7202169	PIPE BRACKET	1	
12	V19-51-009-0	OVERHOIST BRACKET	1	
13	9100061	HEX HEAD SCREW-IS:1364:2002-M8X30-8.8	10	
17	V-19-51-010-0	NYLON BUSH	2	
19	V16590160	CHECK NUT	2	
23	C8Q020172290	SQUARE PIPE (IS:4923-1997;25x25x1.5THK)	1	
29	9100244	HEXAGON HEAD BOLT IS-	4	
30	9100309	PREVAILING TORQUE TYPE NUT M16-8-P	4	
31	7200035	DEFLECTION ROLLER	1	
34	9100118	HEAXGON HEAD SCREW- M10X20-10.9	2	
50	9100100	HOSE CLAMP 12, IS:4762	1	

HYDRA-14-4P-2P

		Main Boom Assy-Hydra-14-4P		
S No	Part No	Description	Qty	Remarks
1	7203900	MAIN BOOM FAB	4	
2	23C3001	WEARPAD	16	
3	26C3010	RETAINER WEARPAD MAIN BOOM	14	
4	9100062	PUNCHED WASHER	4	
5	9100108	SPRING LOCK WASHER	2	
6	22M3025	WEAR PAD CARRIER	4	
7	44M3012	PAD NYLON	4	
8	9100171	HEXAGON HEAD SCREW	4	
9	9100284	HEXAGON HEAD SCREW	1	
10	9100094	HEXAGON NUT	4	
11	7200008.A	SPACER	4	
12	26C3018	WEARPAD	6	
13	9100052	HEXAGON HEAD SCREW	7	
14	9100508	COUNTERSUNK SCREW	2	
15	24M2030	SPACER PAD CARRIER	2	
16	22M3007	LOCKING PIN	4	
17	8T011004850	LINCH PIN	4	

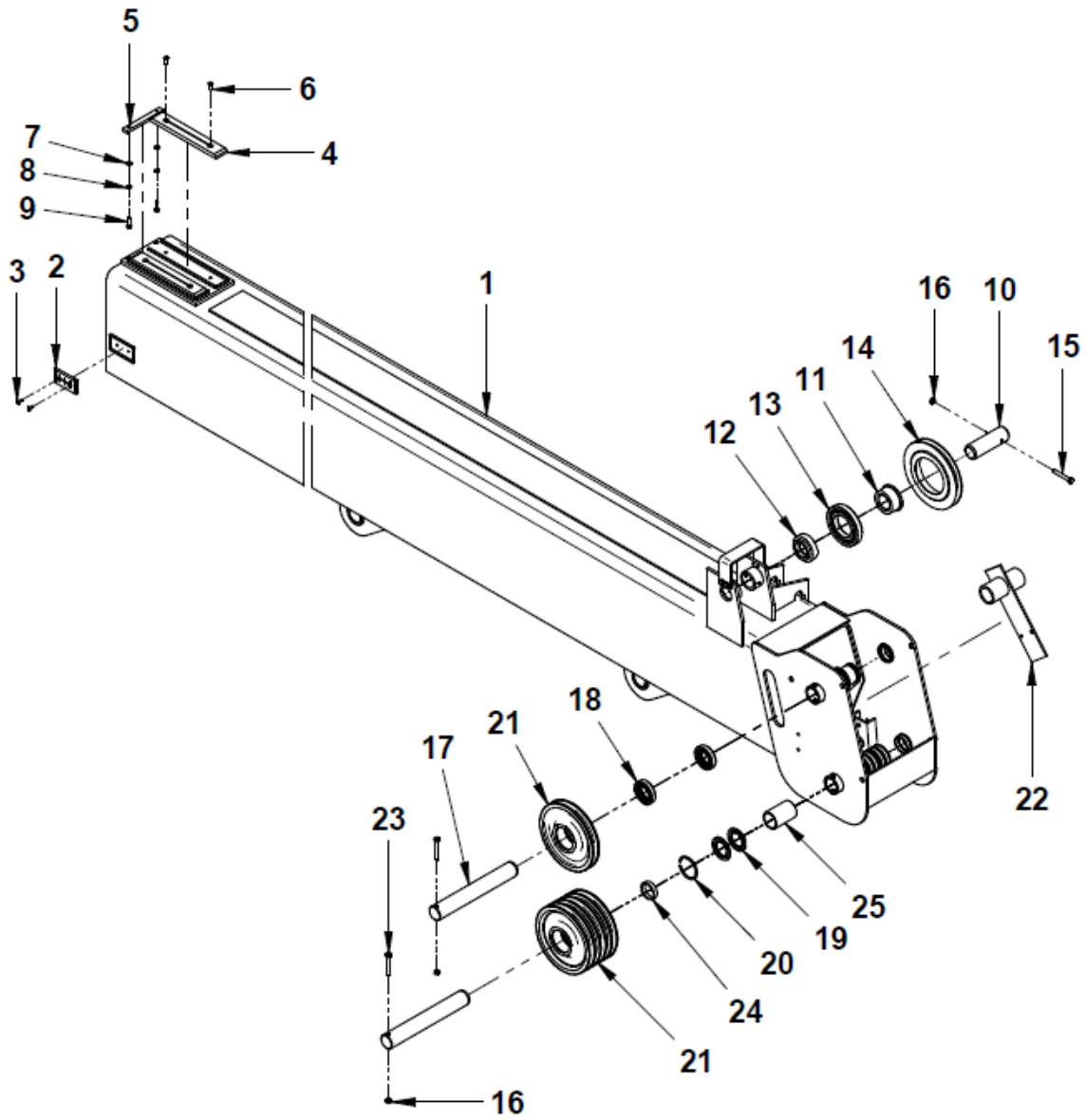
Main Boom Assy_7203252-Hydra-14-2P With Winch-Without Winch



HYDRA-14-4P-2P

BOOM		Main Boom Assy-Hydra-14-2P-With&Without Winch		
S No	Part No	Description	Qty	Remarks
1	C7203251	MAIN BOOM FAB	1	
2	23-C-3-001	WEARPAD	2	
3	26-C-3-010	RETAINER WEARPAD MAIN BOOM	2	
4	9100062	PUNCHED WASHER A9 IS: 2016-STEEL	15	
5	C9100108	SPRING LOCK WASHER A8-IS:3063	14	
6	9100171	HEXAGON HEAD SCREW-IS 1364	12	
7	22-M-3-025	WEAR PAD CARRIER	2	
8	44-M-3-012	PAD NYLON	2	
9	9100284	HEXAGON HEAD SCREW-IS 1364	2	
10	C9100094	HEXAGON NUT-IS1364	2	
11	7200008	SPACER	1	
12	26-C-3-018	WEARPAD	1	
13	9100451	COUNTERSUNK SCREW M6X15 IS1365-8.8	2	
14	9100052	HEXAGON HEAD SCREW IS	2	

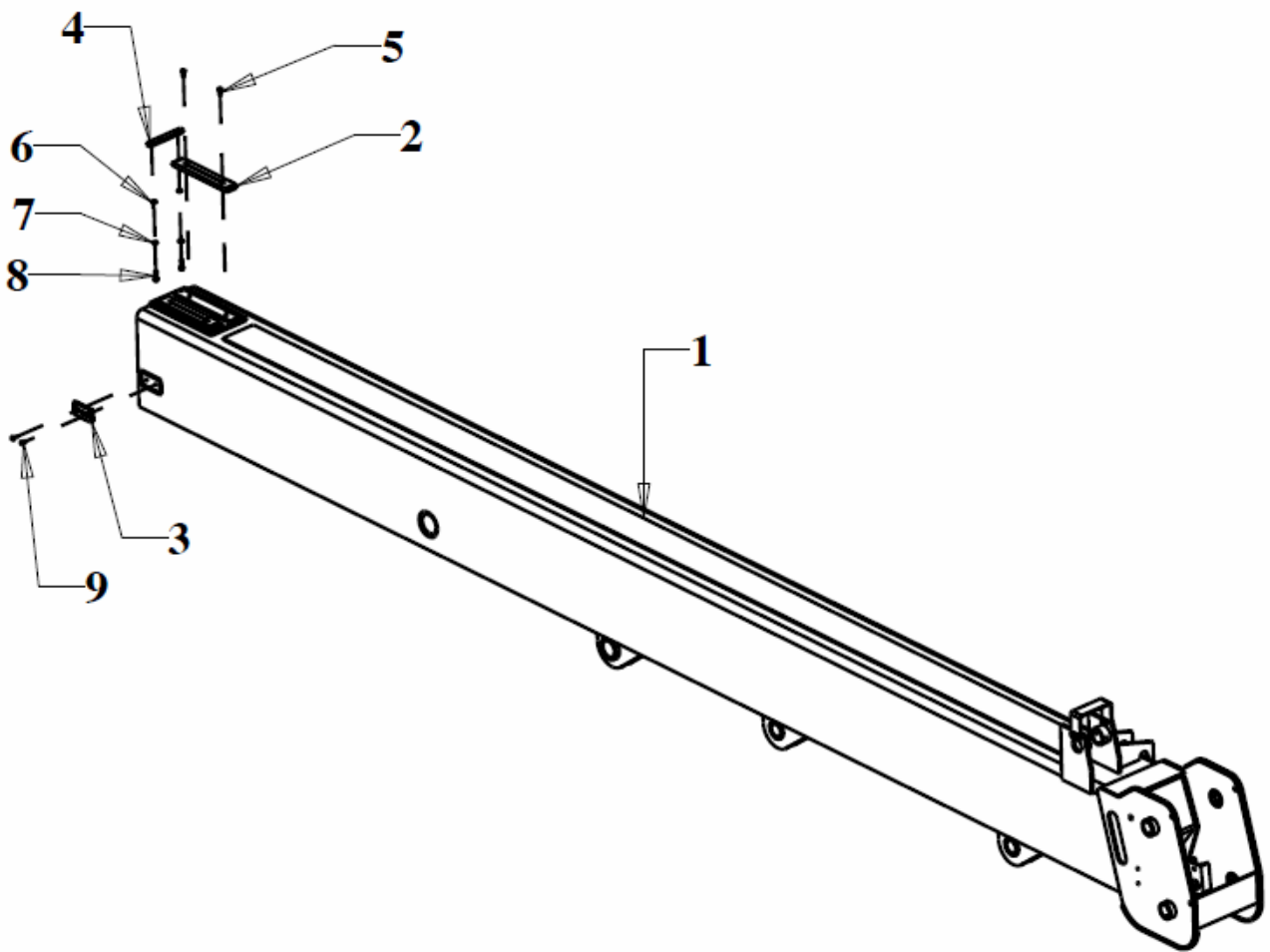
First Extension Assy_7203276-Hydra-14-2P With Winch



HYDRA-14-4P-2P

BOOM		First Extension Assy-Hydra-14-2P-With Winch		
S No	Part No	Description	Qty	Remarks
1	C7203261	FIRST EXTENSION	1	
2	26-C- 3-014	WEAR PAD REAR	4	
3	C9100451	COUNTER SUNK SCREW	8	
4	26-C- 3-082	WEAR PAD REAR TOP	2	
5	8XOOC203200	CORETAINER WEAR PAD	1	
6	C9100348	COUNTER SUNK SCREW	4	
7	C9100062	PUNCHED WASHER	2	
8	C9100046	SPRING LOCK WASHER A8-I S:3063	2	
9	C9100061	HEX HEAD SCREW	2	
10	26-M-3-054	PIN	1	
11	C7202231	BEARING SLEEVE	1	
12	22-M-3-017	BEARING SLEEVE	1	
13	BX224000600	BEARING 16216 VVOOU/ZZI	1	
14	C7200363	PULLEY	1	
15	C9100225	HEXAGON HEAD BOLT	1	
16	C9100041	NYLOK NUTIPREVA I LING TORQUE TYPE	3	
17	V23-27-293-0	PIN JIB HEAD	2	
18	19-B-3-001	BALL BEARING SKF6010	8	
19	22-C- 3-109	SPACER	4	
20	C9100471	C IRCLIP 80X2.5 N I S:3075 PART	8	
21	22-C- 3-108	PULLEY	4	
22	V23-27-167-1	PLATE OVERHO I ST	1	
23	C9100066	HEXAGON HEAD BOLT	2	
24	22-M-3-036	SPACER	5	
25	V23-27-054	SPACER	1	

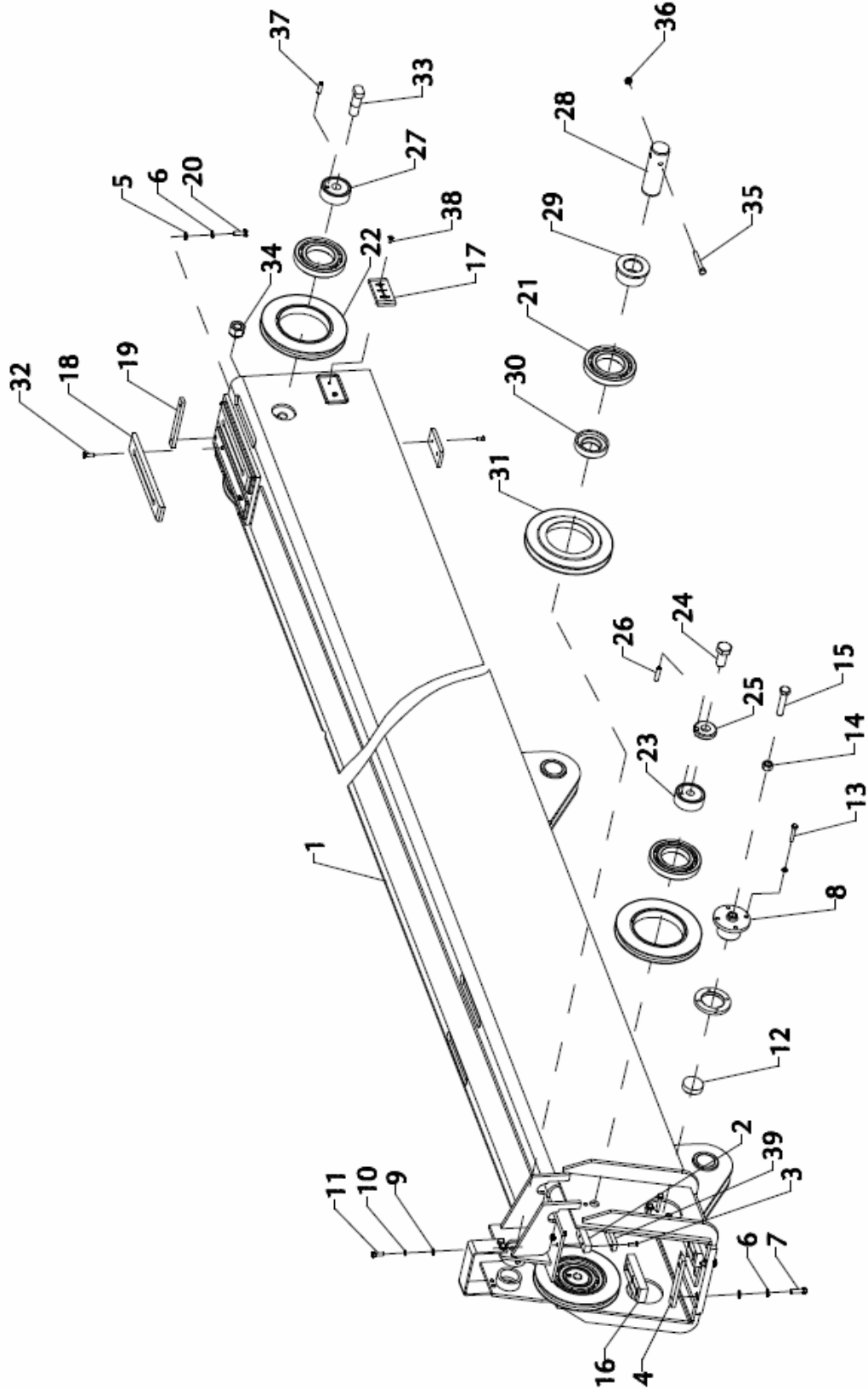
First Extn. Assy_7203259-Hydra-14-2P Without Winch



HYDRA-14-4P-2P

BOOM		First Extension Assy-Hydra-14-2P-Without Winch		
S No	Part No	Description	Qty	Remarks
1	C7203261	FIRST EXTENSION	1	
2	26-C-3-082	WEAR PAD REAR TOP	2	
3	26-C-3-014	WEAR PAD REAR	4	
4	8X00C203200	CORETAINER WEAR PAD	1	
5	9100348	COUNTER SUNK SCREW - M8x20 IS:3165-8.8	4	
6	9100062	PUNCHED WASHER 9 A IS:2016-1967-STEEL	2	
7	9100046	SPRING LOCK WASHER A8-IS:3063	2	
8	9100061	HEX HEAD SCREW-IS:1364:2002-M8X30-8.8	2	
9	9100451	COUNTER SUNK SCREW M6X15 IS:3165-8.8	8	

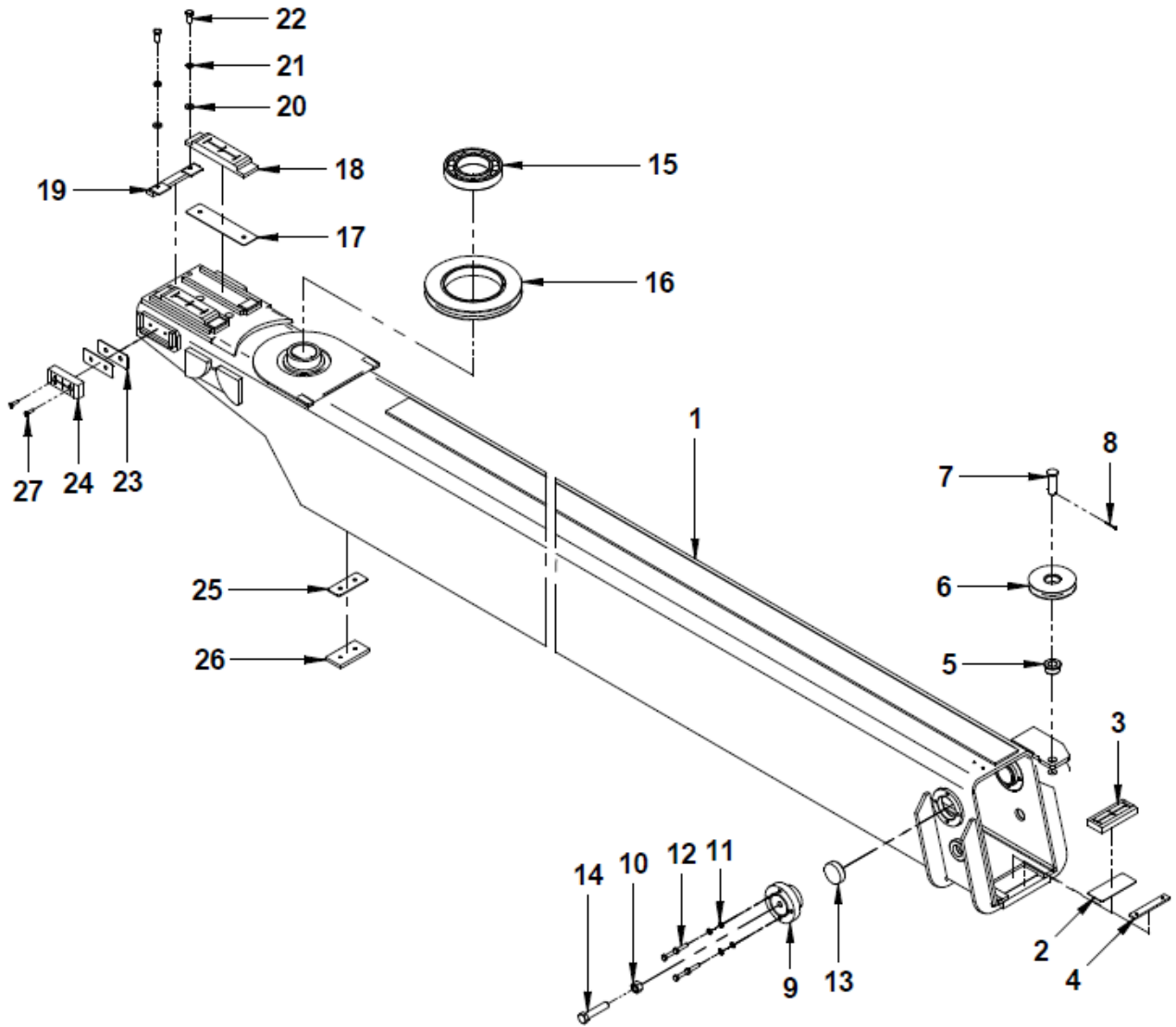
First Extn. Assy_7200364-Hydra-14-4P



HYDRA-14-4P-2P

		First Extension Assy-Hydra-14-4P		
S No	Part No	Description	Qty	Remarks
1	23F2024	FIRST EXTENSION FAB.	1	
2	7200013	SPACER WEAR PAD	1	
3	9100496	COUNTER SUNK SCREW	2	
4	26C3007	RETAINER WEAR PAD	1	
5	9100040	PUNCHED WASHER	6	
6	9100044	SPRING LOCK WASHER	6	
7	9100614	HEXAGONAL HEAD SCREW	2	
8	22M3026	WEAR PAD CARRIER	2	
9	9100062	PUNCHED WASHER	2	
10	9100046	SPRING LOCK WASHER	10	
11	9100166	HEXAGON HEAD SCREW	2	
12	44M3012	PAD NYLON	2	
13	9100265	HEXAGON HEAD SCREW	8	
14	9100094	HEXAGON NUT	2	
15	9100287	HEXAGON HEAD SCREW	2	
16	26C3017	WEAR PAD FRONT	2	
17	26C3085	WEAR PAD REAR	4	
18	26C3082	WEAR PAD REAR TOP	2	
19	8X00C203200	CORETAINER WEAR PAD	1	
20	9100095	HEXAGON HEAD BOLT	2	
21	8X2240006000	ROLLER BEARING	5	
22	26M3053	PULLEY	4	
23	26M3055	TAPPED BOSS	2	
24	8MSH24C2103	SCREW HEX	2	
25	22C3049	SPACER	2	
26	8MSG10C0090	SCREW GRUB	2	
27	26M3056	TAPPED BOSS	2	
28	26M3054	PIN	1	
29	22M3017	BEARING SLEEVE	1	
30	7202231	BEARING SLEEVE	1	
31	7200363	SHEAVE	1	
32	9100323	COUNTER SUNK SCREW	4	
33	26M3072	PIN	2	
34	9100173	PREVAILING TORQUE	2	
35	9100225	HEXAGON HEAD BOLT	1	
36	9100041	NYLOCK NUT	1	
37	8MSG10C0060	GRUB SCREW	2	
38	9100508	COUNTER SUNK SCREW	8	
39	26C3018	WEAR PAD	1	

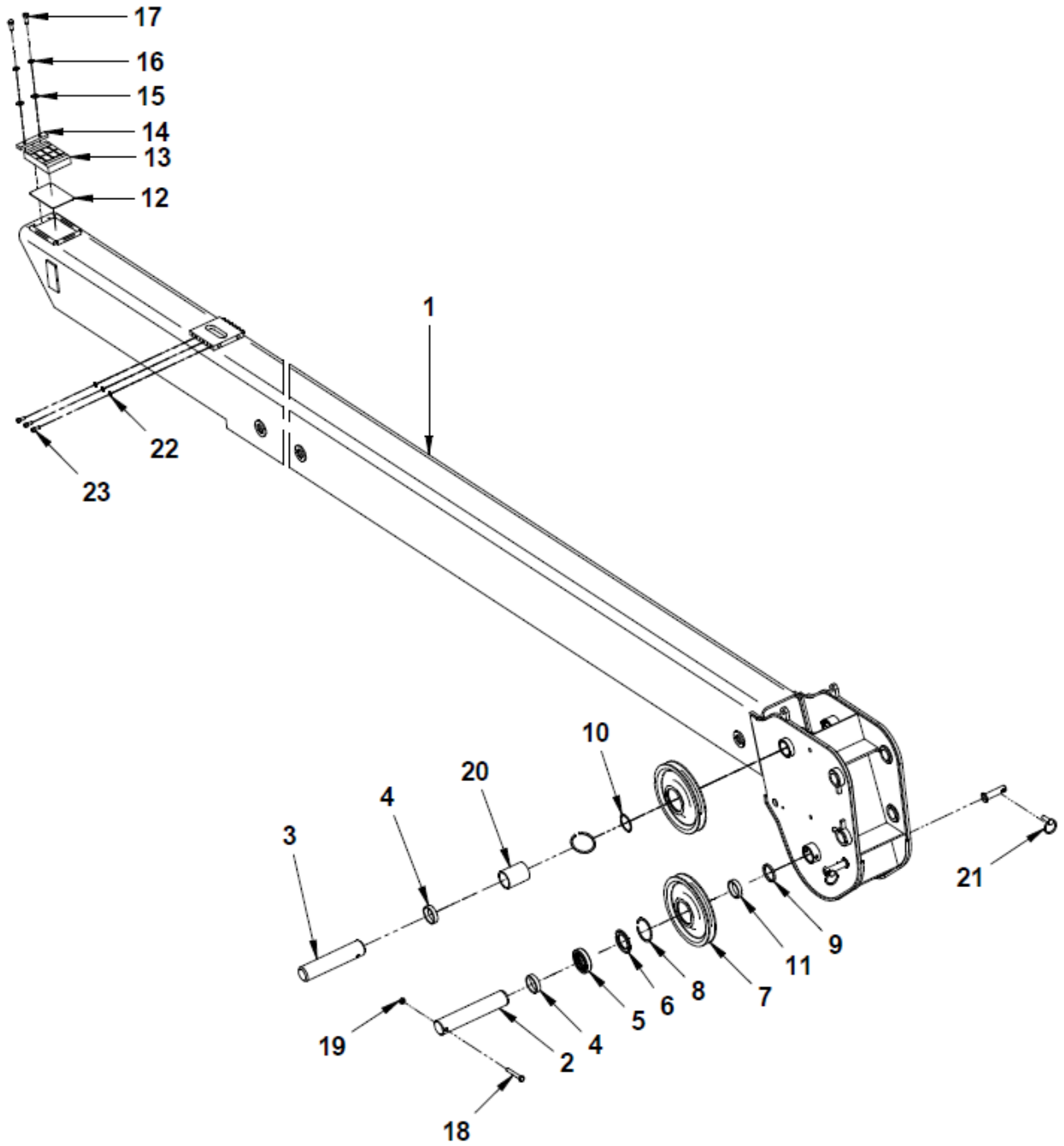
Second Extn. Assy_7200036-Hydra-14-4P



HYDRA-14-4P-2P

		Second Extension Assy-Hydra-14-4P		
S No	Part No	Description	Qty	Remarks
1	7200819	SECOND EXTN FAB	1	
2	22C3028	SHIM	2	
3	7200820	WEAR PAD	1	
4	22C3020	RETAINER WEAR PAD	1	
5	40C3015 A	GM BUSH	1	
6	22C3092	PULLEY	1	
7	40M3021	PULLEY PIN	1	
8	80PS2000250	PIN SPLIT,DIA-8	1	
9	22M3025	WEAR PAD CARRIER (EXISTING PART)	2	
10	C9100094	HEXAGON NUT-IS1364(PART-4)/ISO4032-M16-05	2	
11	9100046	SPRING LOCK WASHER A8-IS:3063	8	
12	9100171	HEXAGON HEAD SCREW-IS 1364 - M8X35-8.8	8	
13	44M3012	PAD NYLON (EXISTING PART)	2	
14	9100121	HEXAGON SCREW	2	
15	V22400060	DEEP GROOVE BALL BRG.	1	
16	26M3053	PULLEY	1	
17	26C3057	SHIM (50X200X1)	2	
18	23C3018	WEARPAD	2	
19	26C3008	REATAINER WEAR PAD	1	
20	9100040	PUNCHED WASHER A11 IS: 2016-STEEL	2	
21	9100044	SPRING LOCK WASHER A10-IS:3063	2	
22	9100267	HEXAGON HEAD SCREW-IS 1364 - M10X25-8.8	2	
23	26C3059	SHIM	6	
24	7203905	WEAR PAD	2	
25	26C3060	SHIM (100X40X3)	1	
26	26C3014	WEAR PAD	1	
27	9100496	COUNTERSUNK SCREW M6X20 IS1365-8.8	6	

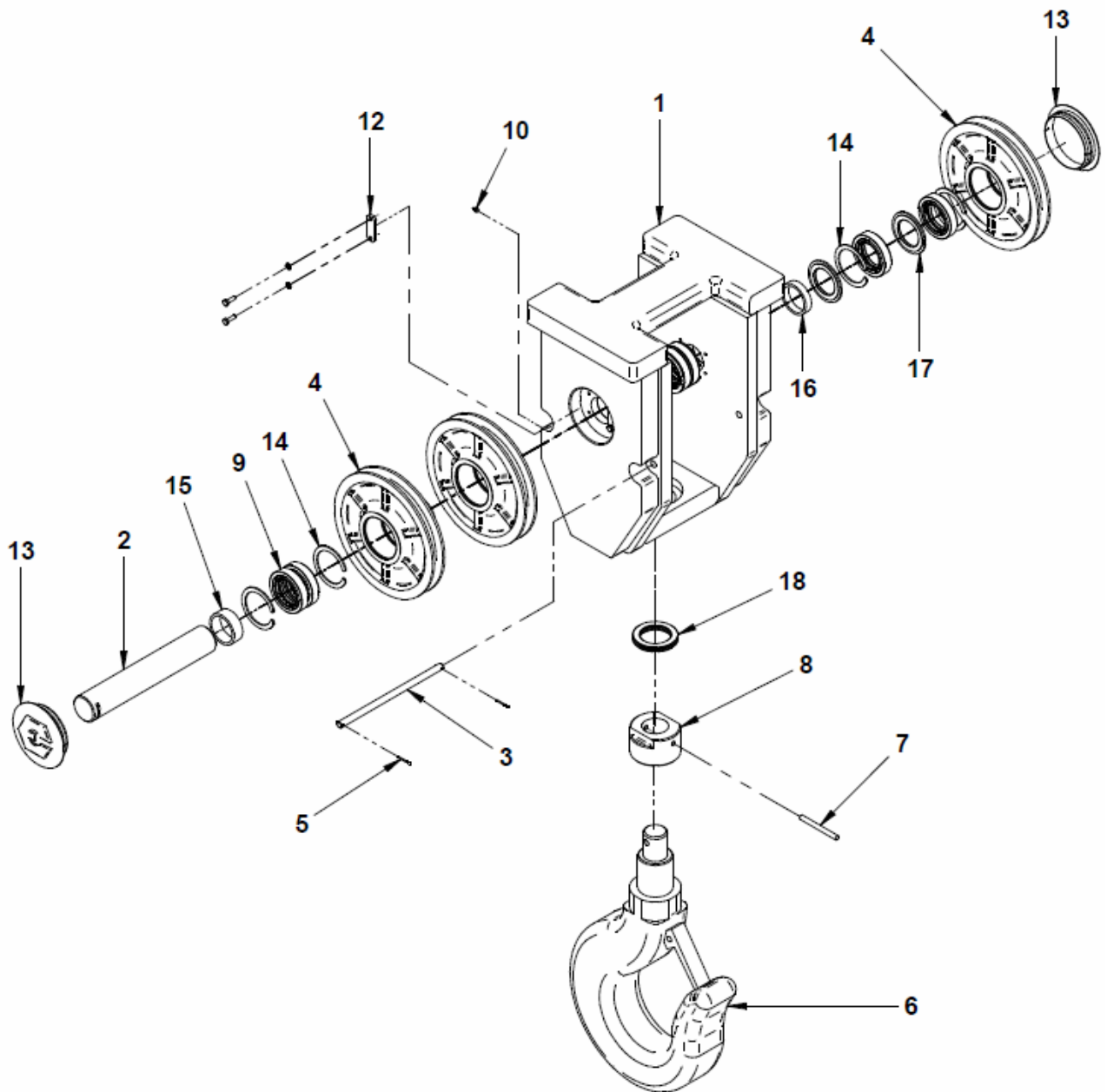
Manual Extn. Assy_7201202-Hydra-14-4P



HYDRA-14-4P-2P

		Manual Ext. Assy-Hydra-14-4P		
S No	Part No	Description	Qty	Remarks
1	7201203	MANUAL EXT FAB	1	
2	24M2034	PIN JIB HEAD(LOWER)	1	
3	24M2033	PIN JIB HEAD	1	
4	7200827	SPACER	2	
5	19B3001	BEARING	8	
6	22C3109	SPACER	4	
7	22C3108	PULLEY	4	
8	8PP11902000	CIRCLIP INTERNAL	8	
9	7200948	SPACER	3	
10	7200949	SHIM	4	
11	22M3036	SPACER	2	
12	7201027	SHIM	2	
13	7201024	WEAR PAD	1	
14	22C3018	RETAINER WEAR PAD	1	
15	9100040	PUNCHED WASHER	2	
16	9100044	SPRING LOCK WASHER	2	
17	9100267	HEXAGON HEAD SCREW	2	
18	9100066	HEXAGON HEAD BOLT	2	
19	9100076	HEXAGON NUT	2	
20	7200897	SPACER	1	
21	8T011004850	LINCH PIN	2	
22	9100046	SPRING LOCK WASHER	12	
23	9100317	HEXAGON SOCKET HEAD CAP SCREW	12	

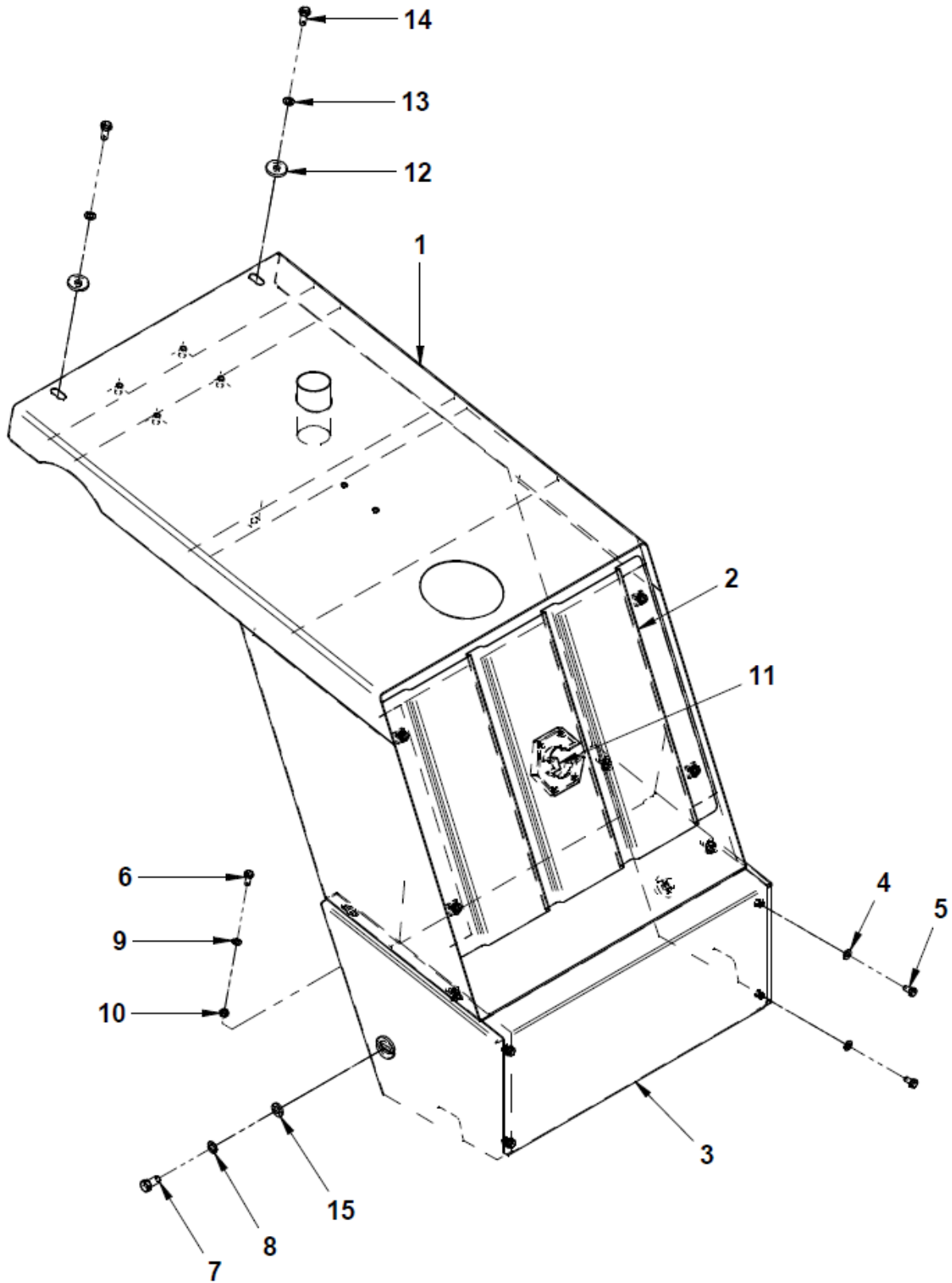
Snatch Block Assy_23-A-3-017



HYDRA-14-4P-2P

		Snatch Block Assy		
S No	Part No	Description	Qty	Remarks
1	823F3032A00	SNATCH BLOCK FAB.	1	
2	819M3011B00	PIN	1	
3	819M3013000	PIN ROPE RETAINER	2	
4	22C3108	PULLEY	3	
5	8PP10084000	CLIP MINSUP	4	
6	819M3037000	HOOK - MACHINED 12.5T	1	
7	823M3016000	SPRING DOWEL PIN	1	
8	V2222038	NUT- HOOK SNATCH BLOCK	1	
9	47B1031	THRUST BEARING	1	
10	8MNG0600100	NIPPLE GREASE	1	
12	22P0573	LOCKING PLATE	2	
13	24C2009	COVER (WITH LOGO)	2	
14	8PP11902000	CIRCLIP	6	
15	22M3035	SPACER 21mm	2	
16	22M3036	SPACER 13mm	2	
17	22C3109A	SPACER 5mm	3	
18	19B3001	DEEP GROOVE BALL BRG. (SKF - 6010-2Z)	6	

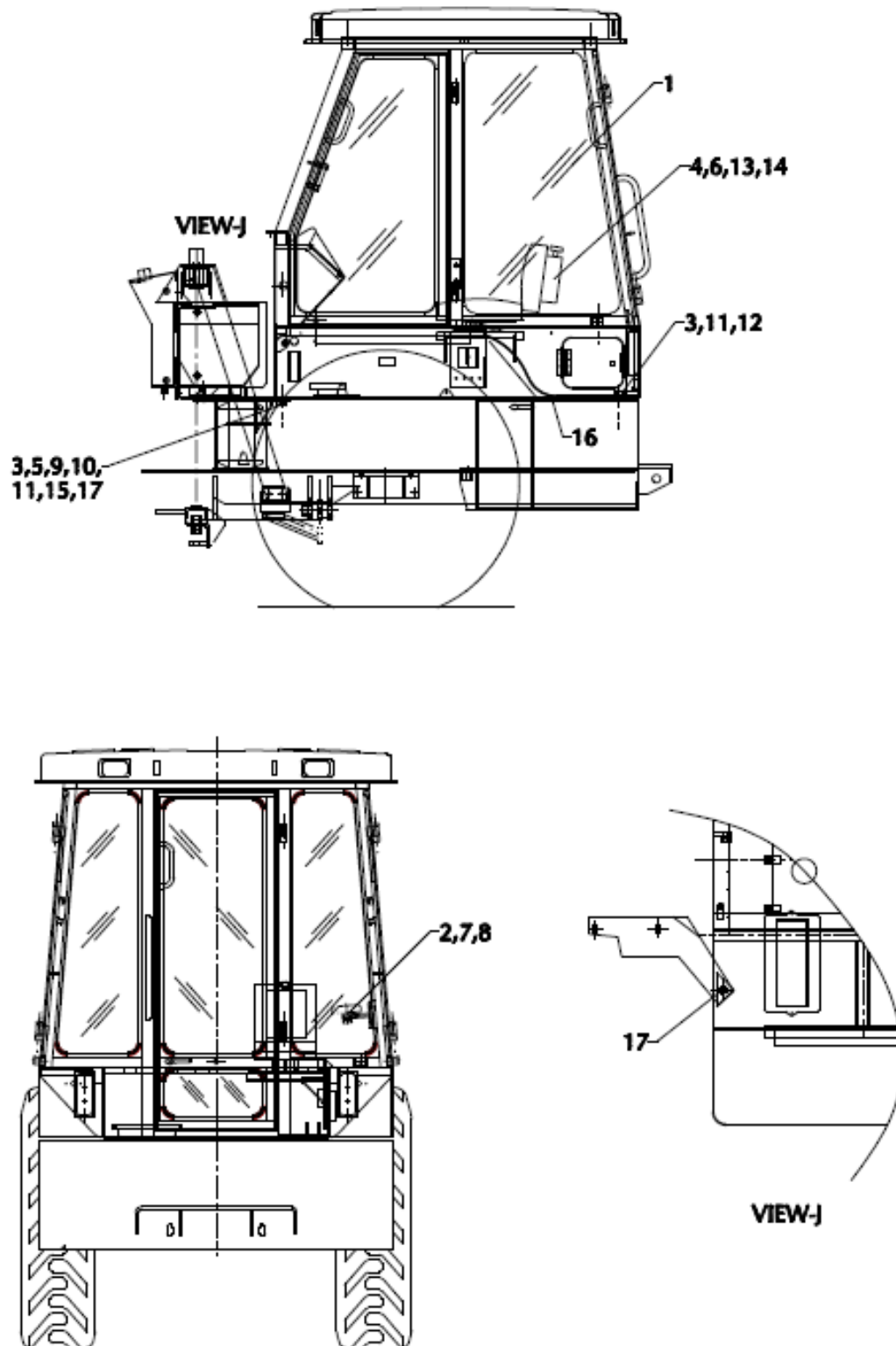
Bonnet Assy_7201463



HYDRA-14-4P-2P

BOOM		Bonnet Assy		
S No	Part No	Description	Qty	Remarks
1	7201445	BONNET FAB	1	
2	V19.38.037.0	FRONT GRILL	1	
3	7201446	NOSE ASSY	1	
4	9100062	PUNCHED WASHER	1	
5	9100167	HEXAGON HEAD SCREW	4	
6	9100052	HEXAGON HEAD SCREW	4	
7	9100119	HEXAGON HEAD SCREW	2	
8	9100088	SPRING LOCK WASHER	2	
9	C9100108	SPRING LOCK WASHER	4	
10	9100068	HEXAGON NUT	4	
11	19-C-1-139	E_ LOGO	1	
12	V19.80.400.0	PLAIN WASHER	2	
13	9100044	SPRING LOCK WASHER	2	
14	9100267	HEXAGON HEAD SCREW	2	
15	9100059	PUNCHED WASHER	2	

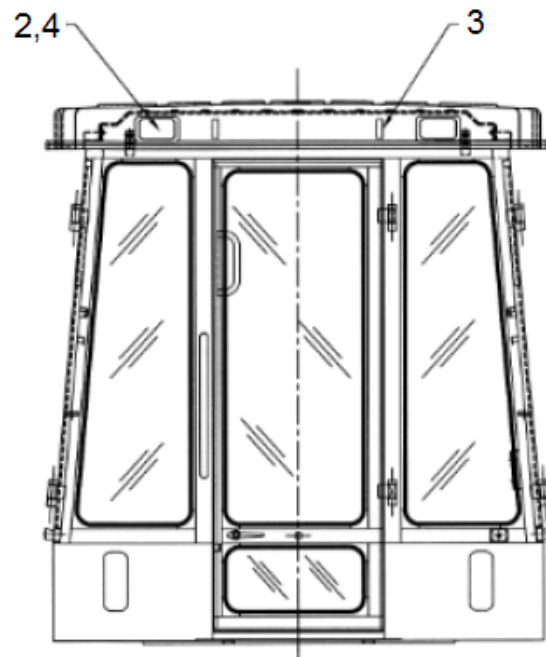
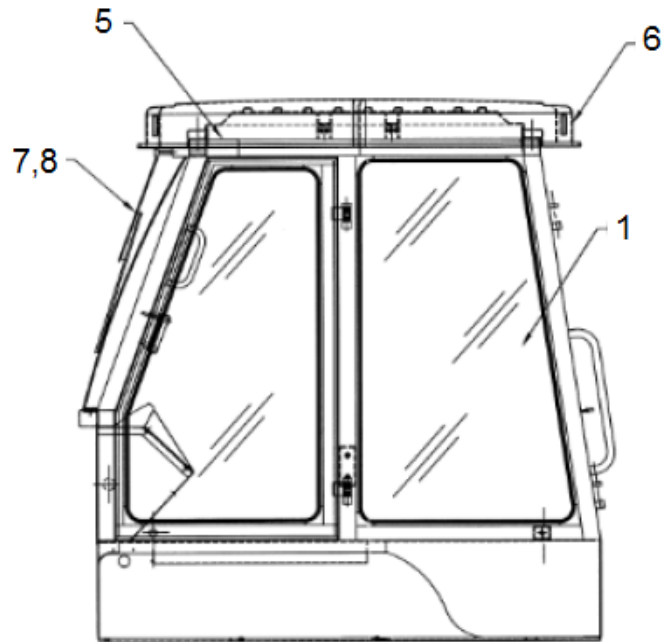
Cabin Kit_7203446



HYDRA-14-4P-2P

BOOM		Cabin Kit		
S No	Part No	Description	Qty	Remarks
1	7203431	CABIN ASSY	1	
2	V19.46.038.0B	ARM REST	1	
3	8MNN12C2000	NUT NYLOCK,M12	2	
4	8T080801000	SEAT ASSY	1	
5	V19.46.065.0	WASHER	4	
6	9100040	WASHER PLAIN,M10	4	
7	9100167	SCREW HEX,M8x10	2	
8	9100046	WASHER SPRING,M8	2	
9	9100067	BOLT HEX,M12x45	2	
10	9100059	WASHER PLAIN,M12	2	
11	9100088	WASHER SPRING,M12	4	
12	9100119	SCREW HEX,M12x25	2	
13	9100267	SCREW HEX,M10x25	4	
14	9100044	WASHER SPRING,M10	4	
15	00 45 23 51	RUBBER PAD	2	
16	819C2027A00	FLOOR MAT	1	
17	819C8006000	PACKING	2	

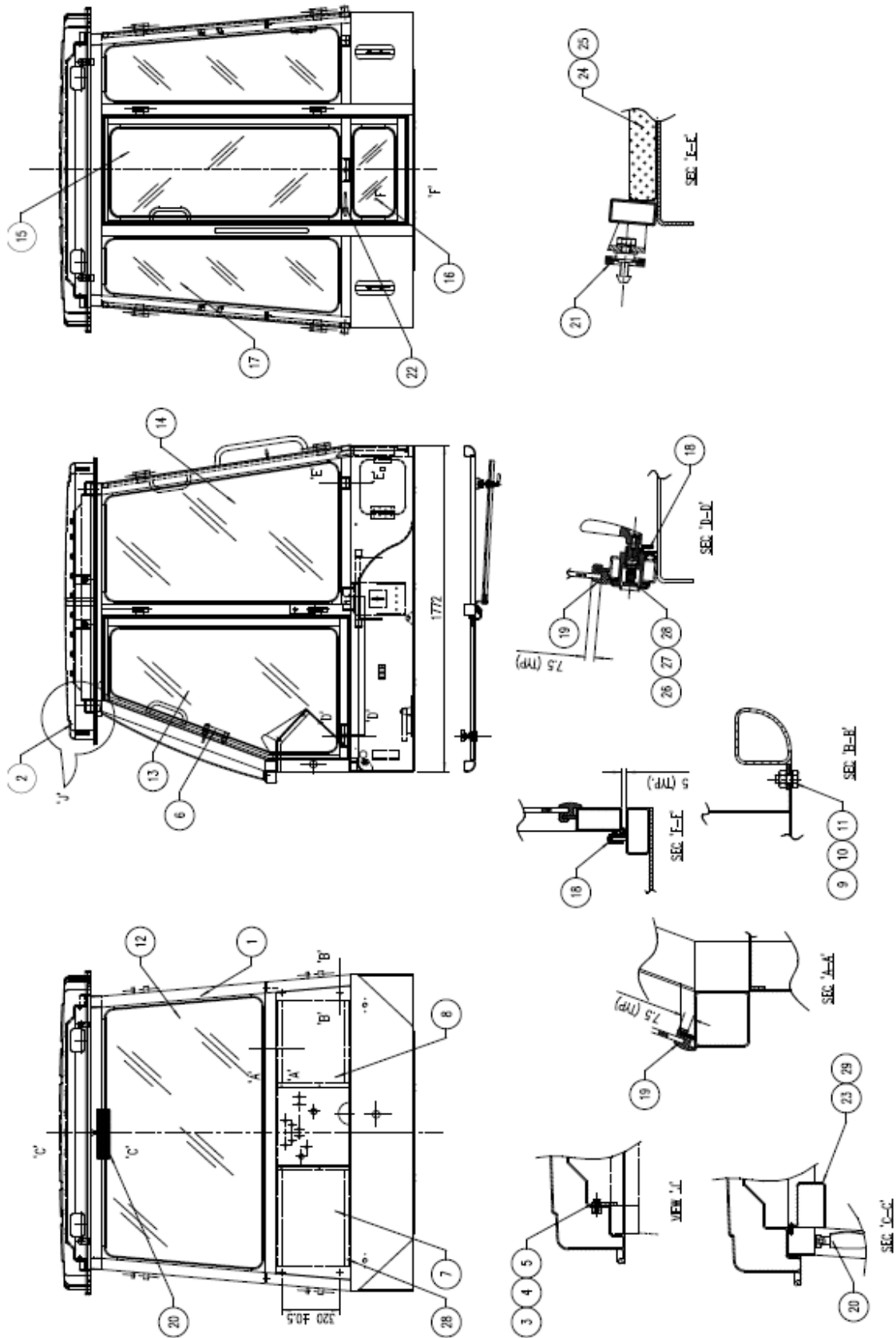
Cabin Assy_7203431



HYDRA-14-4P-2P

BOOM		Cabin Assy		
S No	Part No	Description	Qty	Remarks
1	7203445	CAB FAB ASSY	1	
2	819B5012000	RECTENGULAD WORK LAMP	4	
3	836C5031000	NUMBER PLATE LAMP	2	
4	8PP11197000	WIPER MOTOR	1	
5	7202229	W/H CABIN	1	
6	819B5011000	BEZEL PLATE	2	
7	819B2004000	WIPER ARM, LENGTH+20", MAKE ALLIED	1	
8	819B2005000	WIPER BLADE, LENGTH+20", MAKE ALLIED	1	

Cabin Frame Assy_7203445



HYDRA-14-4P-2P

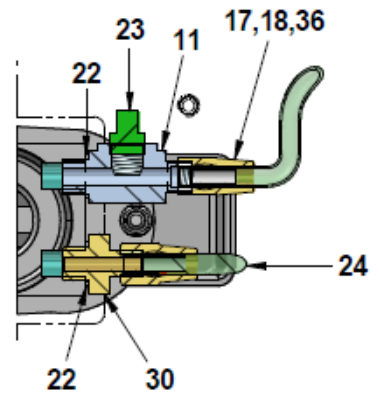
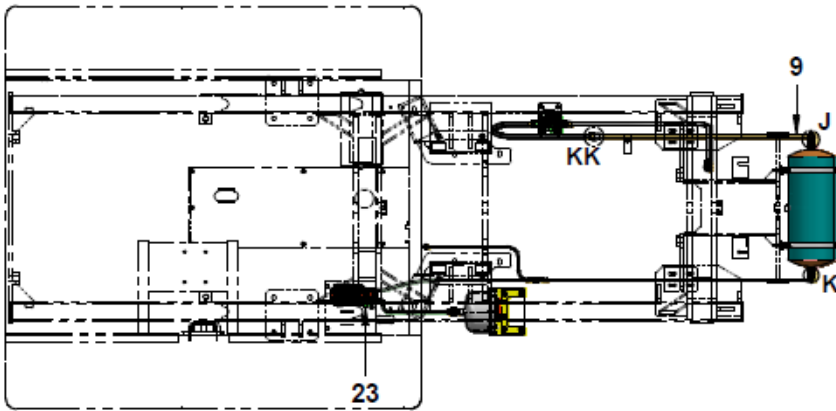
BOOM		Cabin Frame Assy		
S No	Part No	Description	Qty	Remarks
1	7203444	CAB FRAME FAB	1	
2	7200552	CAB ROOF	1	
3	9100269	HEXAGON HEAD SCREW-IS 1364 M10X30-8.8	1	
4	9100040	PUNCHED WASHER A11	4	
5	9100044	SPRING LOCK WASHER A 10	4	
6	8V194611000	HANDLE ASSY.LH/RH	2	
7	819C2069A00	COVER PLATE,R.H	1	
8	819C2068A00	COVER PLATE,L.H	1	
9	9100167	HEXAGON HEAD SCREW-IS 1364 - M8X16-8.8	8	
10	9100062	PUNCHED WASHER 9	8	
11	9100046	SPRING LOCK WASHER A 8	8	
12	819C2072000	FRONT GLASS	1	
13	819C2073000	GLASS FRONT WINDOWS	2	
14	819C2074000	GLASS REAR WINDOWS	2	
15	819C2075000	GLASS TOP REAR DOOR	1	
16	819C2076000	GLASS BOTTOM REAR DOOR	1	
17	819C2077000	GLASS REAR LH/RH	2	
18	8V194608700	R.D EDGE BEADING,EPDM,SHORE HAEDNESS 50-60	1	
19	8V194608800	GLASS BEADING,EPDM,SHORE HARDNESS 50-60	1	
20	819B1013000	REAR VIEW MIRROR	1	
21	819B1011000	DOOR CATCHER ASSY	3	
22	819B1012000	DOOR LOCK	1	
23	NO SEP.DRG.	THR.FROMING SCREW,M3 WITH WASHER	3	
24	819C2094000	SEAT CUSHION L.H	1	
25	819C2095000	SEAT CUSHION R.H	1	
26	9100202	HEXAGON HEAD BOLT -IS 1364 -M6X40-8.8	6	
27	9100073	PUNCHED WASHER 6.6	6	
28	9100342	HEXAGON NUT -IS 1364 - M6-8	6	
29	819C21130000	WIPER MOTOR COVER	1	

PNEUMATICS

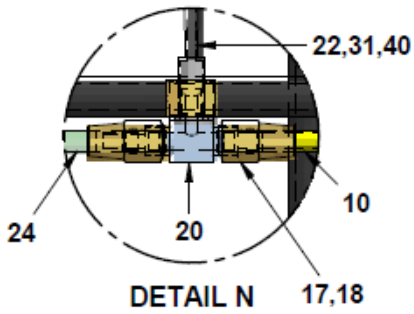
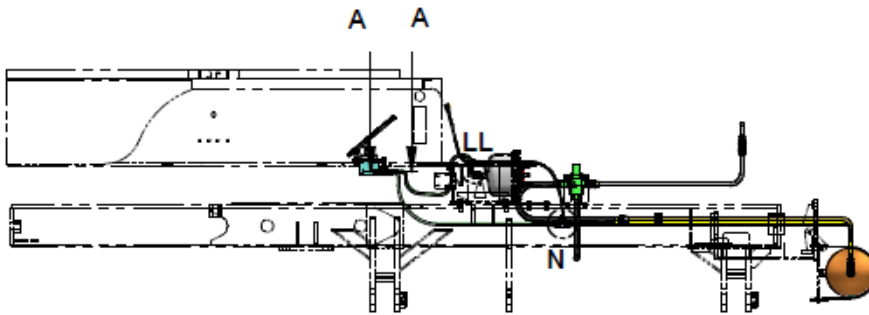
HYDRA-14-4P-2P

		Pneumatic Circuit		
S No	Part No	Description	Qty	Remarks
1	8V194901300	RESERVOIR	1	
2	V19-31-005-0	TENSION BAND	2	
3	9100046	SPRING LOCK WASHER A8-IS:3063	9	
4	9100068	HEXAGON NUT-IS1364(PART-3)/ISO4032-M8-8	9	
5	8M105402700	SEALING RING	4	
6	8M105402800	SPECIAL WASHER	4	
7	8M105402600	WASHER (M-22)	4	
8	V19.49.012.0	UNLOADER VALVE	1	M301970
9	V19490291	TUBE	1	
10	V19.49.046.0	TUBE (ON RESERVOIR)	1	
11	7201771	ADAPTOR	1	
12	8M105403000	ELBOW	2	
13	V19.49.017.0	ELBOW	2	M913442
14	8M105403300	SLEEVE 5/8"	4	
15	8M105403400	UNION NUT 5/8"	4	
16	8M105402900	LOCK NUT (M22)	4	
17	V12.19.010.0	UNION NUT 3/8"	6	M911030
18	V12.19.009.0	SLEEVE 3/8"	6	M311040
19	V19.49.049.0	HOSE ASSY	1	
20	7201918	TEE-CONNECTOR	1	
21	V19.49.044.0	BRAKE VALVE WITH TREADLE	1	M600600
22	V12.19.013.0	WASHER M16	3	M910120
42	7203160	BKT UNLOADER VALVE	1	

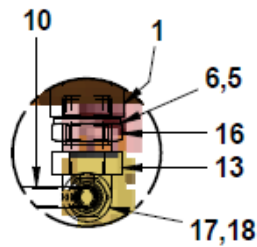
Pneumatic Circuit Sheet-2



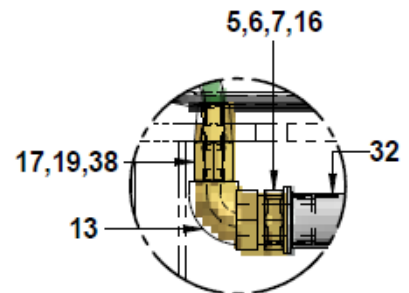
SECTION A-A



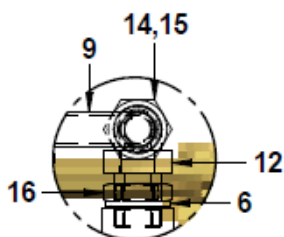
DETAIL N



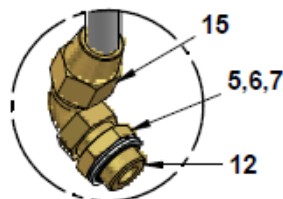
DETAIL K



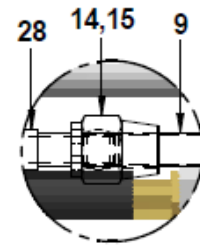
DETAIL LL



DETAIL J



DETAIL JJ

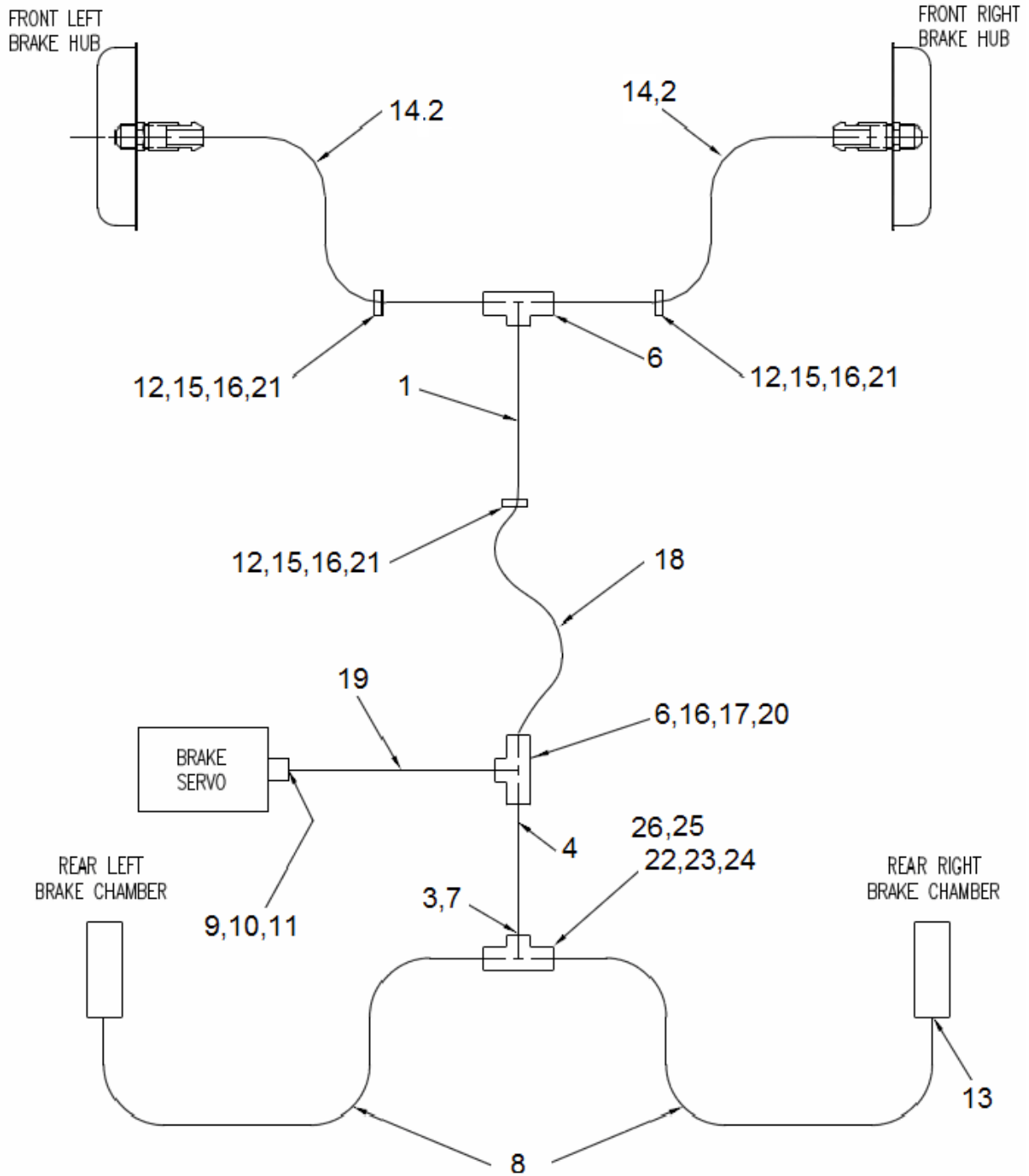


DETAIL KK

HYDRA-14-4P-2P

		Pneumatic Circuit		
S No	Part No	Description	Qty	Remarks
23	V19.49.045.0	BRAKE SWITCH	1	M250150
24	8528-020	PLASTIC TUBE (3/8" OD, 1 MM THK)	1	1.5 M LENGTH
25	9100062	PUNCHED WASHER A9 IS: 2016-STEEL	5	
26	9100052	HEXAGON HEAD SCREW IS 1364 (PART2) - ISO 4017- M8X20-8.8	3	
27	V12.19.005.0	UNION BODY	1	M914000
28	V19.49.016.0	HOSE ASSY	1	M901930
29	9100212	HEXAGON HEAD BOLT-IS 1364(PART1)/ISO 4014 - M8X85-8.8	2	M8X85
30	V12.19.014.0	UNION BODY	1	M917300
31	V19.49.025.0	AIR PRESSURE HOSE	1	
32	V19.49.014.0_	AIR CYLINDER	1	M500320
33	9100267	HEXAGON HEAD SCREW-IS 1364 (PART 2)/ISO 4017 - M10X25-8.8	4	
34	9100044	SPRING LOCK WASHER A10-IS:3063 (PHOSPHATE COATING)	7	
35	9100076	HEXAGON NUT-IS 1364(PART 3)/ISO 4032- M10-8	4	
36	8528-021	INSERT 3/8"	4	
37	9100040	PUNCHED WASHER A11 IS: 2016-STEEL	3	
38	9100107	HEXAGON HEAD BOLT-IS:1364:2002(PART I)/M10X40-8.8	3	
39	V19.49.024.0	SPACER	1	
40	8G956010010	DOWTY SEAL (1/4")	1	
41	7203218	TUBE	1	

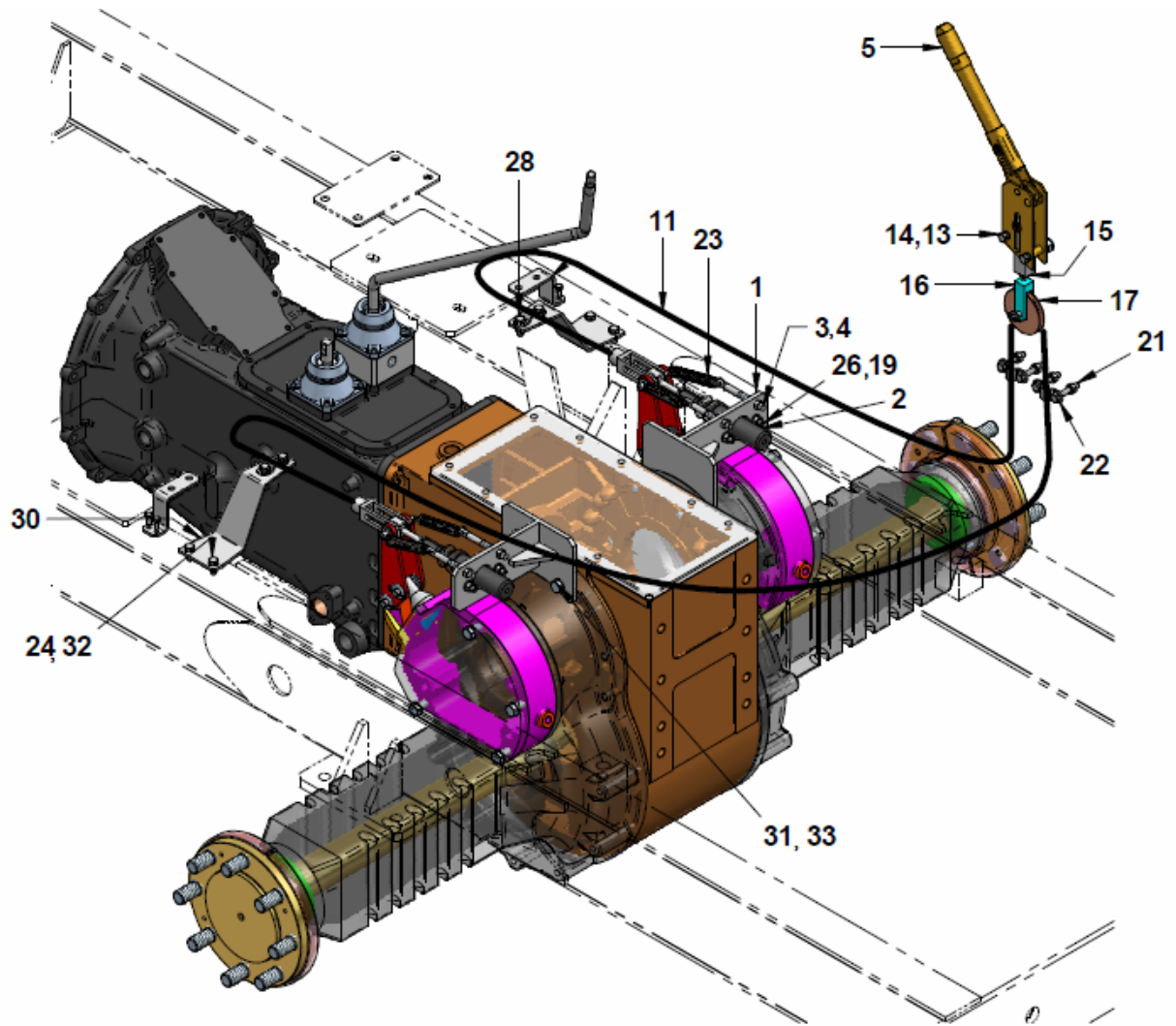
Pneumatic Brake Piping Assy_7200889



HYDRA-14-4P-2P

		Pneumatic Brake Piping Assy		
S No	Part No	Description	Qty	Remarks
1	V23330010	BUNDY TUBE ASSEMBLY	1	
2	V19480120	BUNDY TUBE ASSEMBLY	1	
3	V17290120	ADAPTOR	1	
4	V19480130	BUNDY TUBE ASSEMBLY	1	
6	8M980002060	3 WAY UNION,BRAKE INDIA NO:-64474632	3	
7	8M980002070	GASKET	1	
8	V16270260	BUNDY TUBE ASSEMBLY	2	
9	V19498070	MASTER CYLINDER ASSEMBLY	1	
10	7200458	BOTTLE ASSY	1	
11	8D162027	DOWTY SEAL, AS PER DYNAPAC STANDARD: 2745	1	
12	813353	CLAMP,TP00591	3	
13	V16257600	SLAVE CYLINDER	2	
14	V19480140	BRAKE HOSE	2	
15	9100047	HEXAGON HEAD BOLT-IS 1364 -M8X20-8.8	6	
16	9100046	SPRING LOCK WASHER A8- IS:3063	7	
17	9100068	HEXAGON NUT-IS 1364- M8-8	1	
18	V19180150	BRAKE HOSE	1	
19	V19480090	BUNDY TUBE ASSEMBLY	1	
20	9100201	HEXAGON HEAD BOLT-IS 1364-M6X35-8.8	1	
21	V19480100	RUBBER GROMMET	2	
22	9100201	HEXAGON HEAD BOLT-IS 1364 -M6X35-8.8	1	
23	9100073	PUNCHED WASHER 6.6 A IS:2016-1967-STEEL	1	
24	9100150	SPRING LOCK WASHER A6- IS:3063	1	
25	9100072	HEXAGON NUT-IS 1364(PART 3)/ISO 4032- M6-5	1	
26	9100062	PUNCHED WASHER 9 A IS:2016-1967-STEEL	4	

Rear & Hand Brakes_7201088

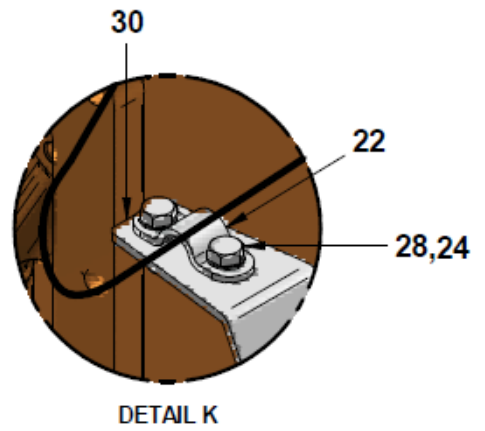
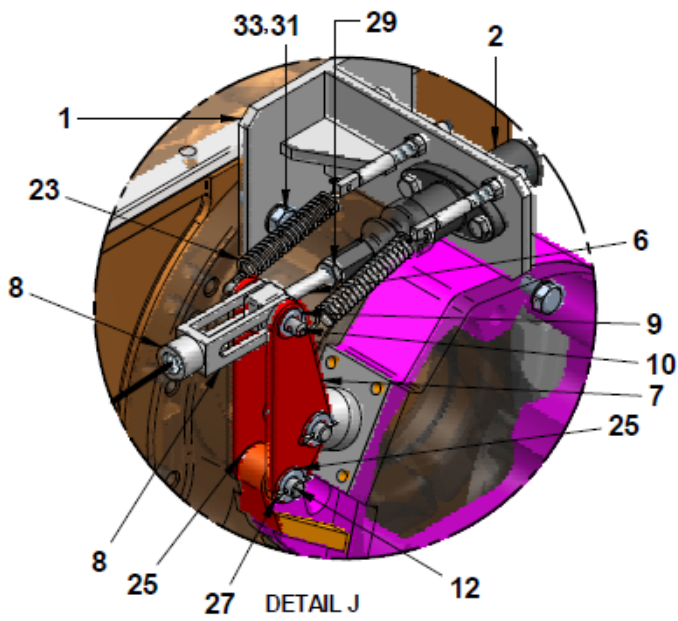
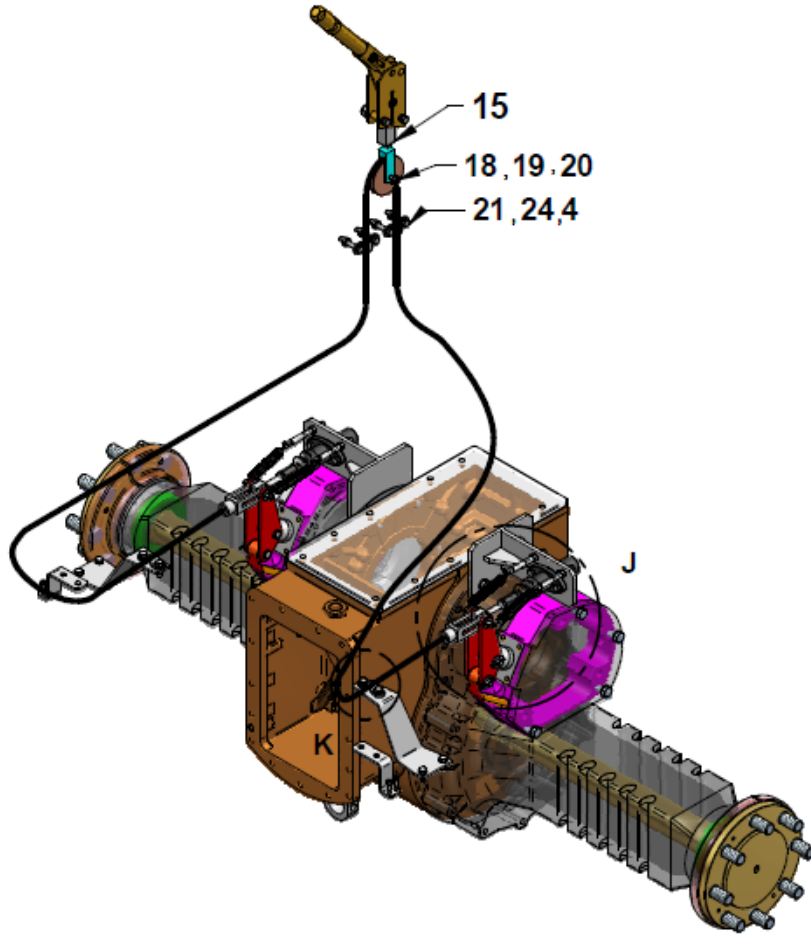


ISOMETRIC VIEW

HYDRA-14-4P-2P

Rear & Hand Brakes				
S No	Part No	Description	Qty	Remarks
1	7203510	BRACKET	2	
2	V16257600	SLAVE CYLINDER	2	
3	V19250060	PIN	4	
4	9100068	HEXAGON NUT-IS1364(PART-3)/ISO4032-M8-8	21	
5	816C300100	LEVER	1	
11	7203112	BRAKE CABLE ASSY	1	
13	9100128	HEXAGON HEAD BOLT	2	
14	9100307	PREVAILING TORQUE TYPE NUT-M8-IS 7002-8	2	
15	19M1004	FORK	1	
16	V19490740	FORK	1	
17	V19490730	PULLEY	1	
19	9100062	PUNCHED WASHER A9 IS: 2016-STEEL	5	
21	9100264	HEXAGON HEAD SCREW-IS:1364:2002	4	
22	8D813353000	CLAMP	4	
23	T10250010	SPRING	4	
24	9100046	SPRING LOCK WASHER A8-IS:3063	12	
26	9100126	HEXAGONAL HEAD BOLT-IS:1364:2002	4	
28	9100206	HEXAGONAL HEAD BOLT-IS:1364:2002	4	
30	7203512	MTG BKT	2	
31	9100087	HEX HEAD BOLT M12X55,BP,B8.8,IS:1364	4	
32	9100052	HEXAGON HEAD SCREW IS 1364	4	
33	9100088	SPRING LOCK WASHER A12, IS:3063	4	

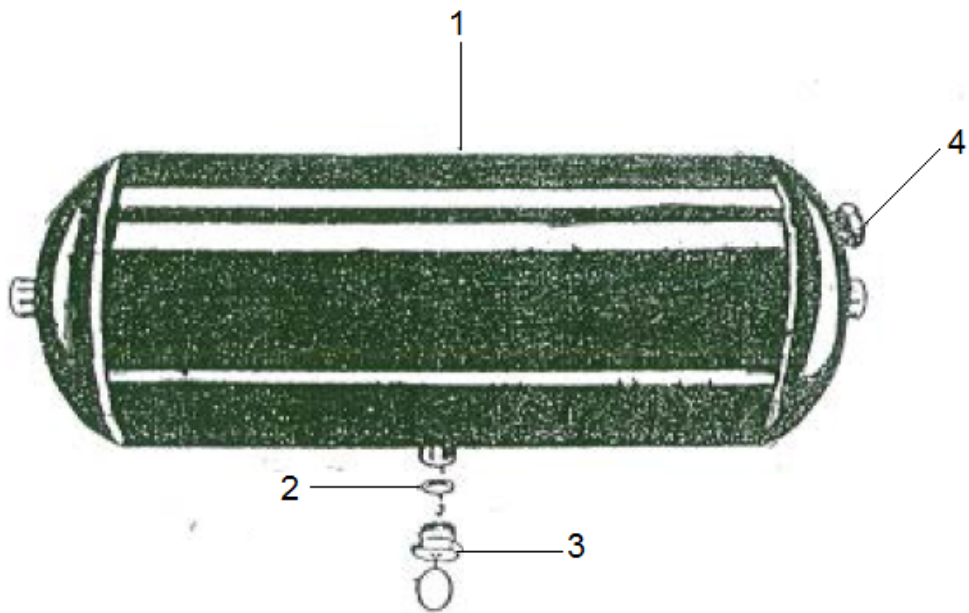
Rear & Hand Brakes_7201088



HYDRA-14-4P-2P

Rear & Hand Brakes				
S No	Part No	Description	Qty	Remarks
1	7203510	BRACKET	2	
2	V16257600	SLAVE CYLINDER	2	
4	9100068	HEXAGON NUT-IS1364(PART-3)/ISO4032-M8-8	21	
6	7201081	ROD	2	
7	7203511	LINK PLATE	4	
8	7201082	FORK	2	
9	9100040	PUNCHED WASHER A11 IS: 2016-STEEL	4	
10	7203432	PIN	2	
12	7203509	PIN	4	
15	19M1004	FORK	1	
18	V19490840	PIN	1	
19	9100062	PUNCHED WASHER A9 IS: 2016-STEEL	5	
20	9100301	SPLIT PIN 3.2X20 -IS : 549	1	
21	9100264	HEXAGON HEAD SCREW-IS:1364:2002(PART I)/M8X45	4	
22	8D813353000	CLAMP	4	
23	T10250010	SPRING	4	
24	9100046	SPRING LOCK WASHER A8-IS:3063	1	
25	9100059	PUNCHED WASHER A14 IS: 2016-STEEL	12	
27	9100101	SPLIT PIN 3x32 -IS : 549	4	
28	9100206	HEXAGONAL HEAD BOLT-IS:1364:2002	4	
29	8V162701700	LOCK NUT	2	
30	7203512	MTG BKT	2	
31	9100087	HEX HEAD BOLT M12X55,BP,B8.8,IS:1364	4	
33	9100088	SPRING LOCK WASHER A12, IS:3063	4	

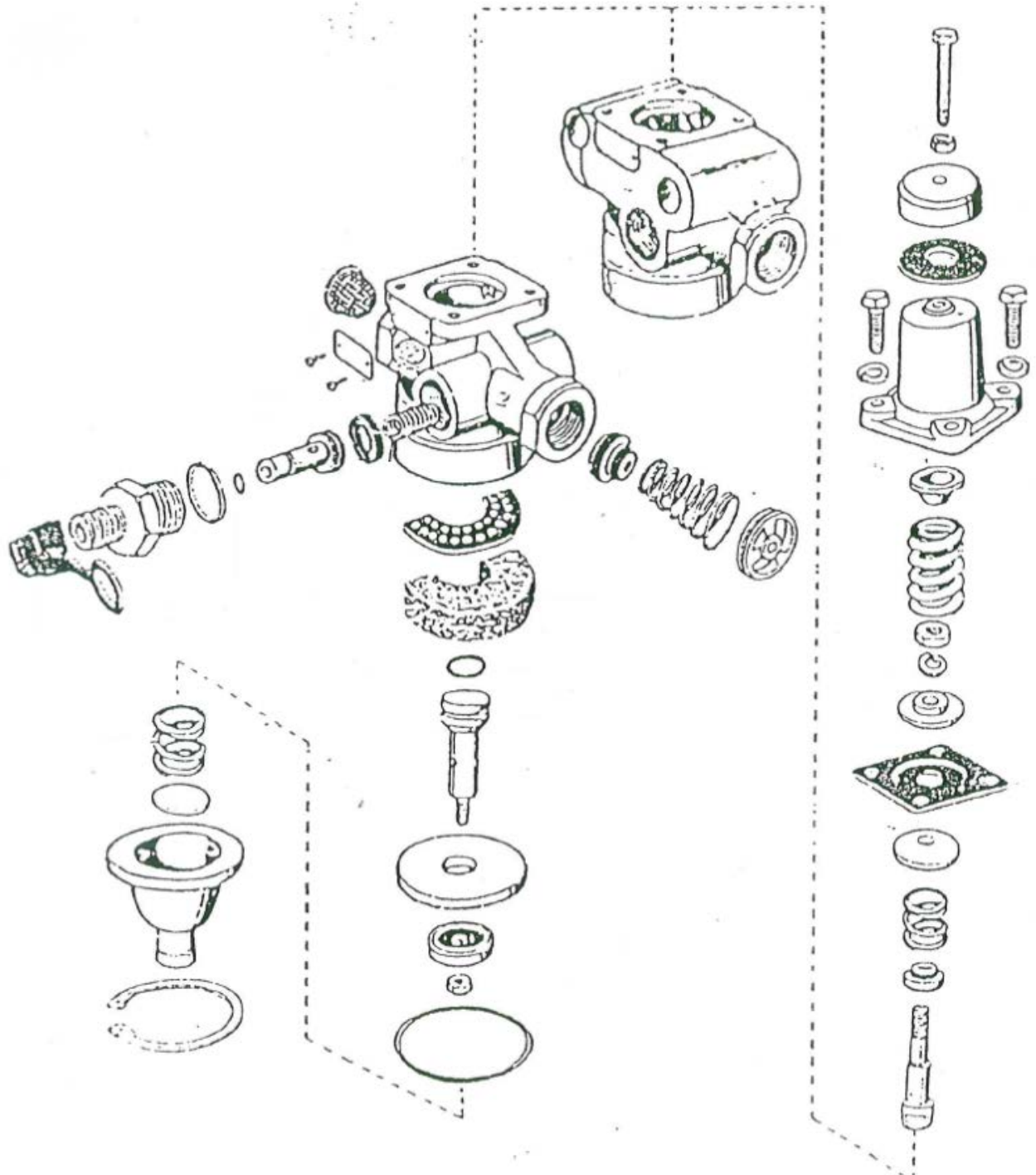
Reservoir



HYDRA-14-4P-2P

		Reservoir		
S No	Part No	Description	Qty	Remarks
1	8V194901300	RESERVOIR M400630-SUNDARAM CLAYTON	1	
2	M911840	WASHER	1	
3	M302830	DRAIN VALVE	1	
4	M110030	SAFETY VALVE	1	

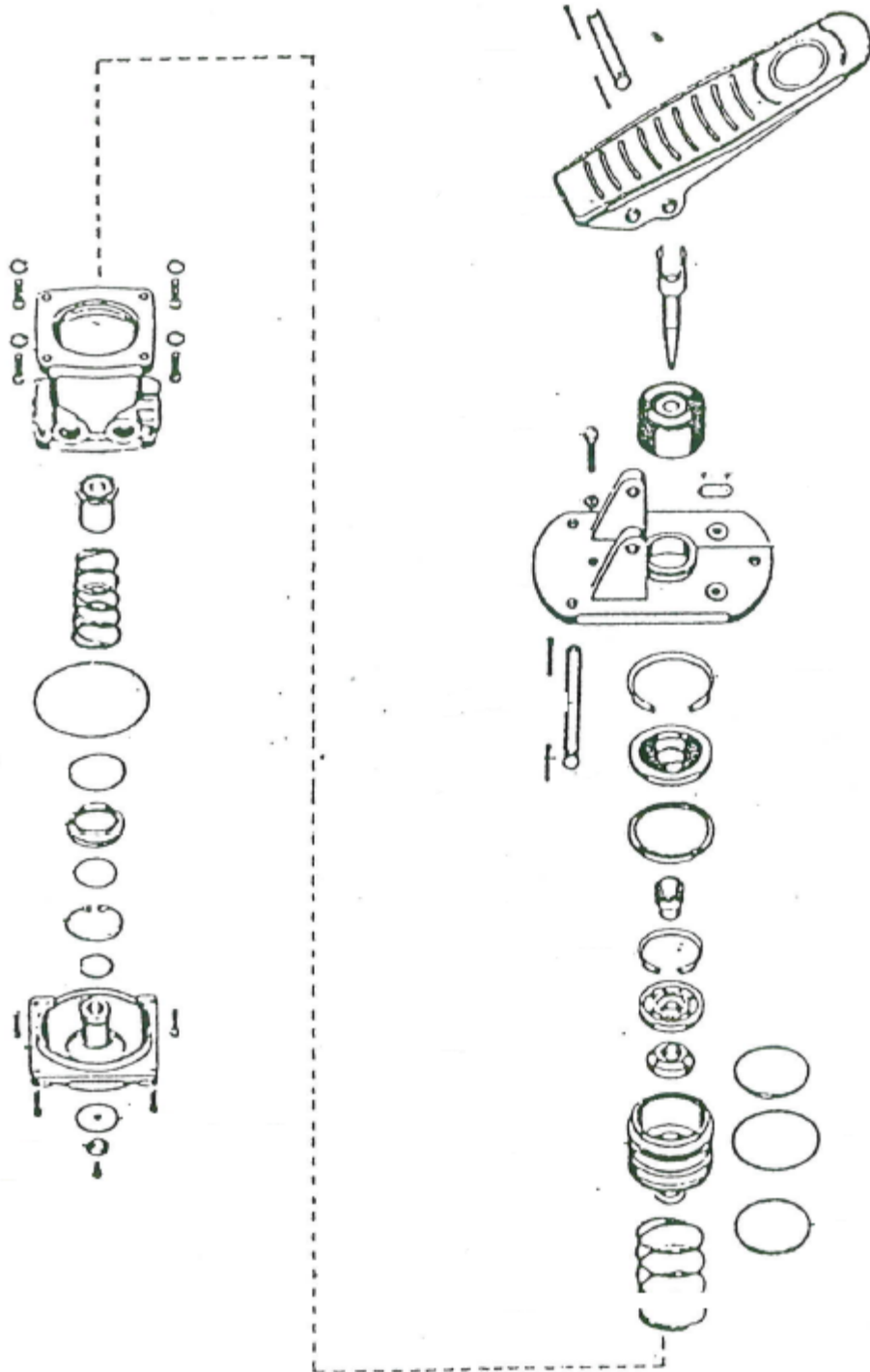
Unloader Valve With Tyre Inflator



HYDRA-14-4P-2P

		Unloader Valve With Tyre Inflator		
S No	Part No	Description	Qty	Remarks
1	8v1949012000	UNLOADER VALVE WITH TYRE INFLATOR	1	
2	MSP 3/49	MSP REPAIR KIT		

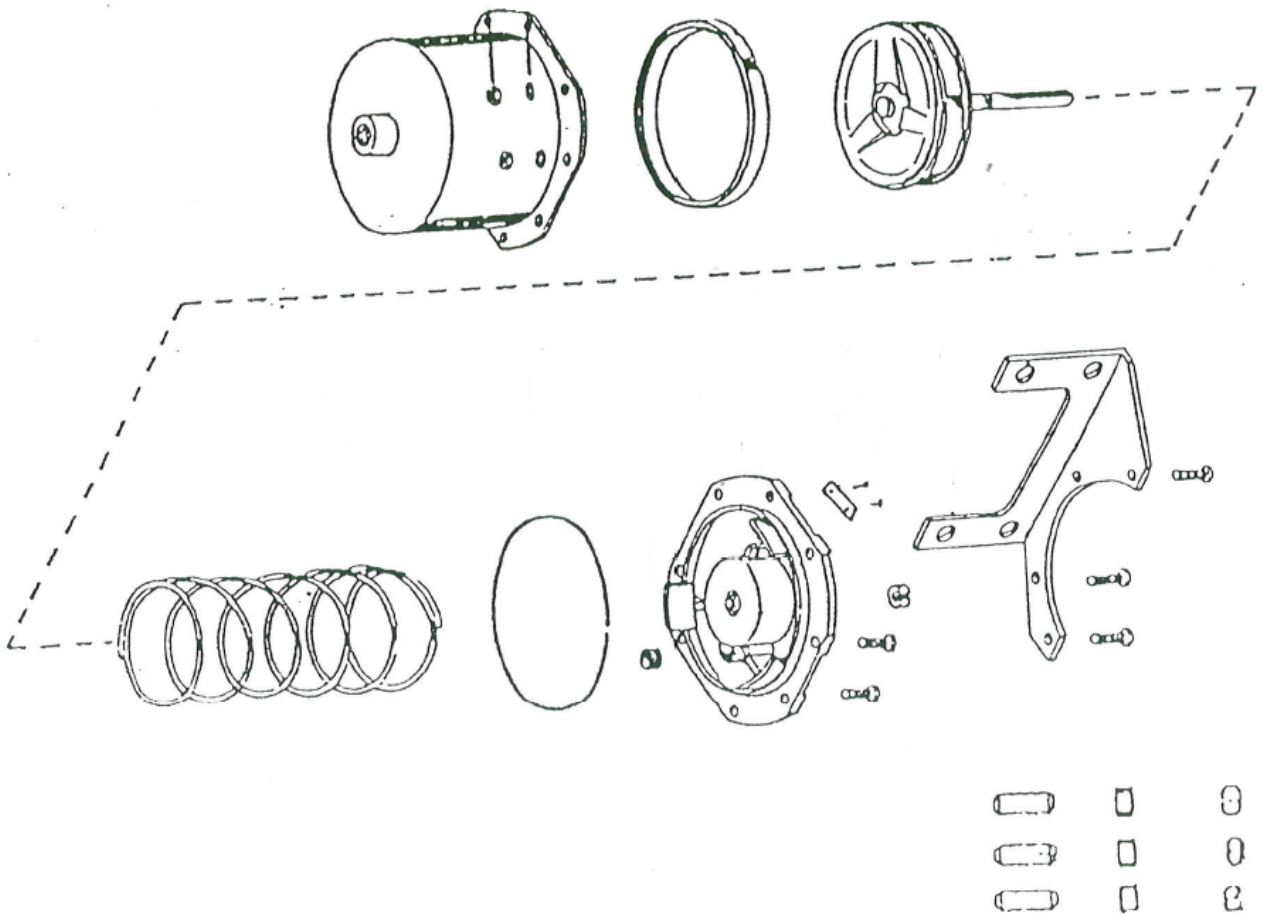
Brake Valve



HYDRA-14-4P-2P

		Brake Valve		
S No	Part No	Description	Qty	Remarks
1	8V1949044000	BRAKE VALVE WITH TREADLE	1	
2	MSP 6/6	MSP REPAIR KIT		

Air Cylinder



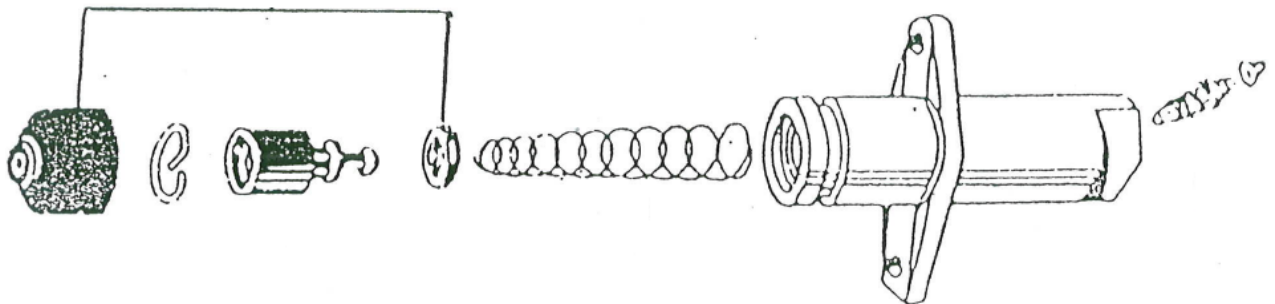
HYDRA-14-4P-2P

		Air Cylinder		
S No	Part No	Description	Qty	Remarks
1	8v1949014000	AIR CYLINDER	1	
2	MSP 5/3	MSP REPAIR KIT		

HYDRA-14-4P-2P

		Single Master Cylinder		
S No	Part No	Description	Qty	Remarks
1	8V1949807100	SINGLE MASTER CYLINDER	1	
	29966901	MAJOR KIT REPAIR		
	29966902	MINOR KIT REPAIR		

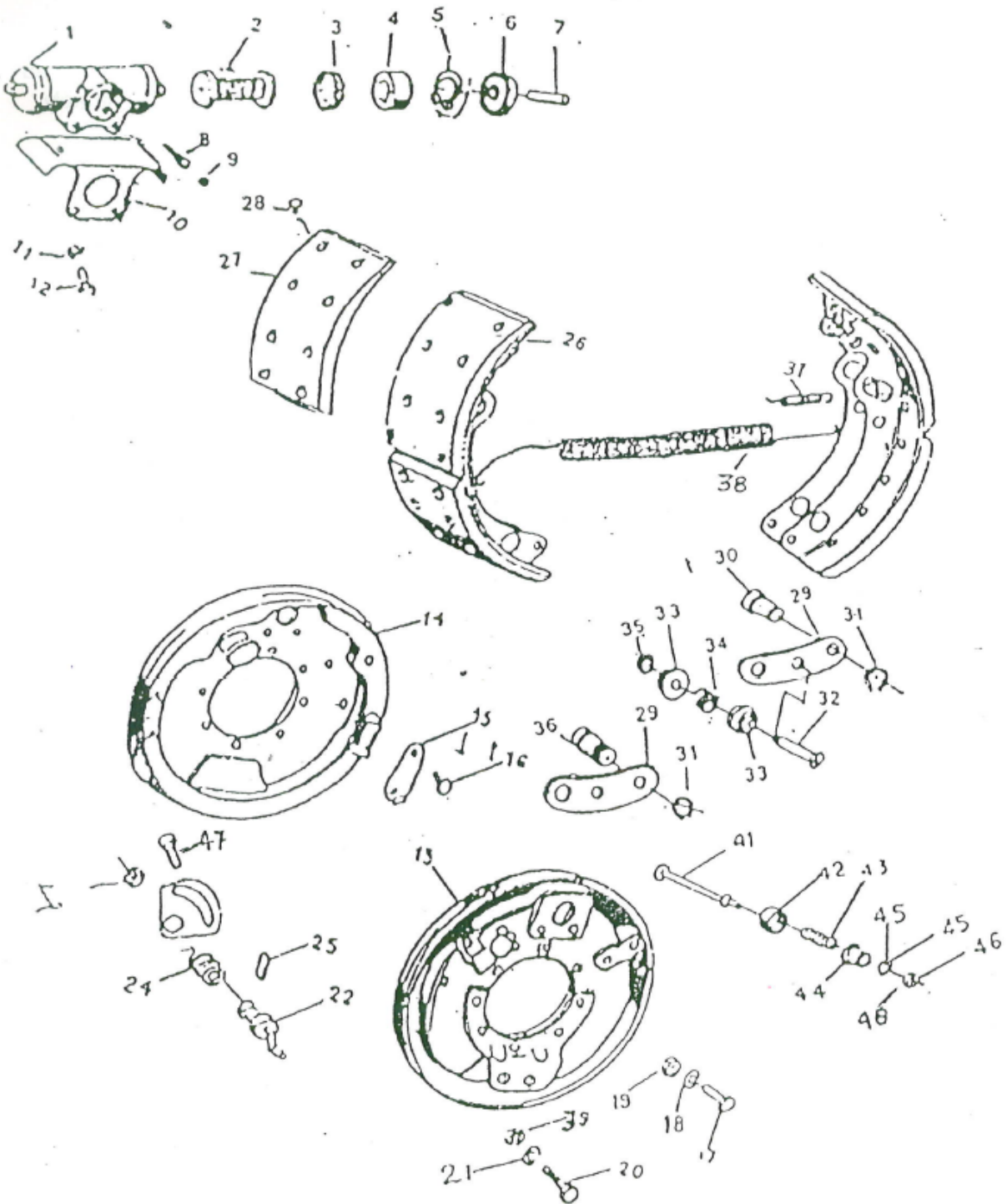
Slave Cylinder



HYDRA-14-4P-2P

		Slave Cylinder		
S No	Part No	Description	Qty	Remarks
1	8v162576000	SLAVE CYLINDER	1	
	2022815573	KIT SLAVE CYLINDER	2	
	29460118	BLEEDING SCREW	2	

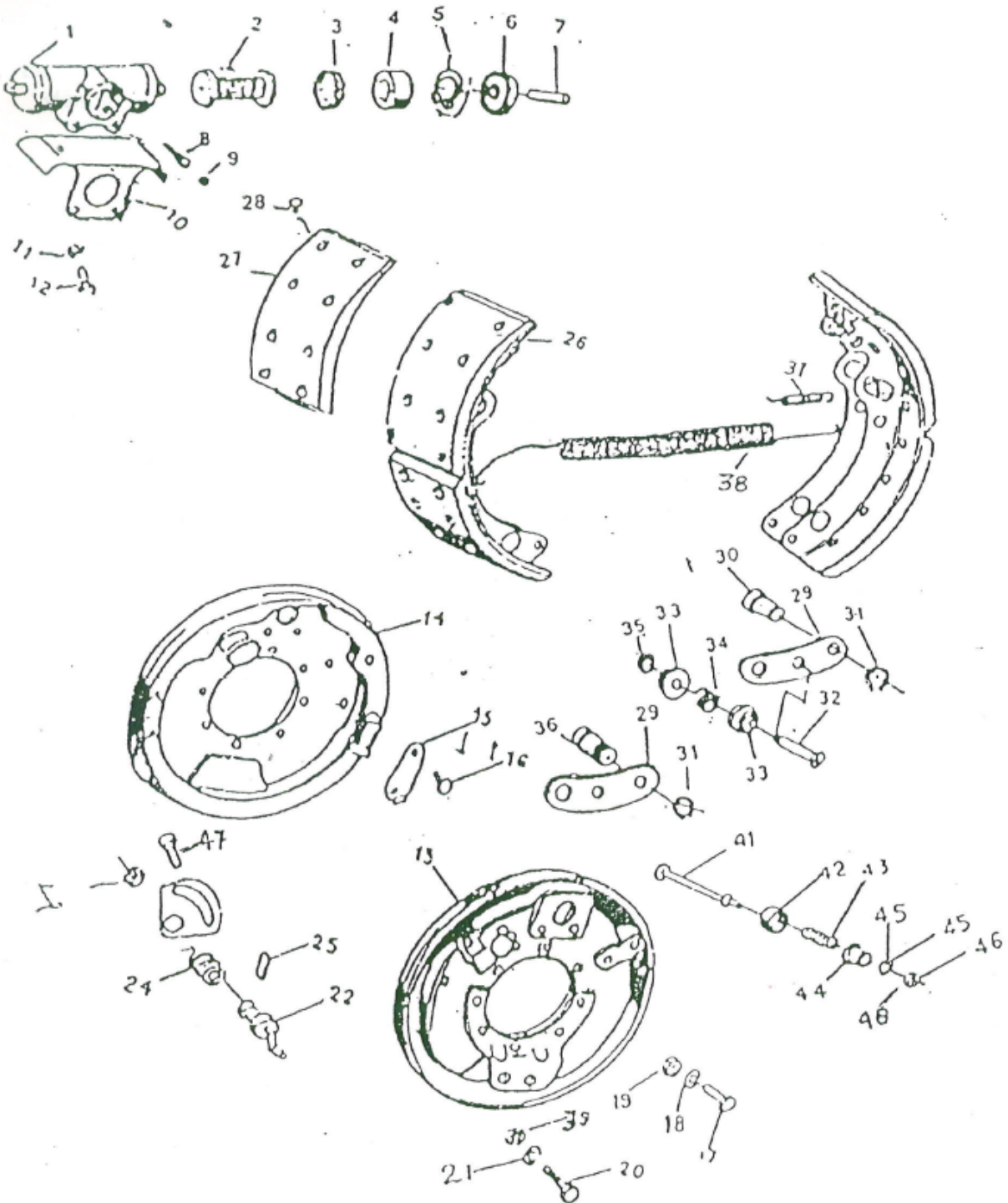
Front Wheel Brake Assy Sheet -1



HYDRA-14-4P-2P

		Front Wheel Brake Assy		
S No	Part No	Description	Qty	Remarks
1	86.02.903.2	WHEEL BRAKE CYLINDER	2	
2	86.02.20.1	PRESSURE SPRING WITH RETAINER	2	
3X	86.02.21.1	PISTON CUP	4	
4	86.02.22.1	PISTON	4	
5	86.02.23.1	CIRCLIP	4	
6X	86.02.21.1	BOOT	4	
7	86.02.25.1	SLOTTED PIN	4	
8	86.02.26.1	BLEEDING SCREW	2	
09	86.02.57.1	DUST CAP	2	
10	86.02.29.1	HEAT SHIELD	2	
11	W2.10	SPRING WASHER	4	
12	86.02.28.0	SCREW	4	
13	86.02.53.1	ANCHOR PLATE RH	1	
14	86.02.54.1	ANCHOR PLATE LH	1	
15	86.02.30.1	COVER	4	
16	86.02.31.1	HALF ROUND RIVET	4	
17	B1.12X1.5-28-8G	BOLT	8	
18	W2.12	SPRING WASHER	8	
19	N6.12.1.5	NYLOCK NUT	8	
20	B1.14X1.75-38-8G	BOLT	8	
21	W2.14	SPRING WASHER	4	
22	86.02.32.1	ADJUSTING ECCENTRIC WITH HEX. NUT	4	
23	86.02.33.1	NUT M14X1-5-8G	4	
24	86.02.34.1	PRESSURE SPRING	4	
25	86.02.35.1	TAPERED GROOVED PIN	4	
26	86.02.36.1	BRAKE SHOE, FRONT & REAR WITH LINING	4	
27	86.02.55.1	BRAKE LINING	8	
28	86.02.56.1	TUBULAR RIVET (FR BRAKE SHOE)	64	
29	86.02.37.1	SHACKLE	8	
30	86.02.38.1	PIN	4	
31	86.02.39.1	CIRCLIP	12	
32	86.02.40.2	SPECIAL PIN	4	
33	86.02.41.1	SPACER WASHER	8	
34	86.02.42.1	PRESSURE SPRING	4	
35	86.02.43.0	LOCK RING	4	
36	86.02.44.1	PIN	4	
37	86.02.45.1	RETURN SPRING (TO FRONT BRAKE SHOE)	2	
38	86.02.46.1	RETURN SPRING (BETWEEN BRAKE SHOE)	2	
39	N6.14X1.75	NUT NYLOCK	4	
40	29966507	WHEEL CYL. KIT	2	
41	86.02.47.1	BOLT	4	
42	86.02.48.1	SPRING RETAINER(HIGH)	4	
43	86.02.49.1	PRESSURE SPRING	4	
44	86.02.50.1	SPRING RETAINER(HIGH)	4	
46	86.02.52.0	NUT	4	

Front Wheel Brake Assy Sheet -2

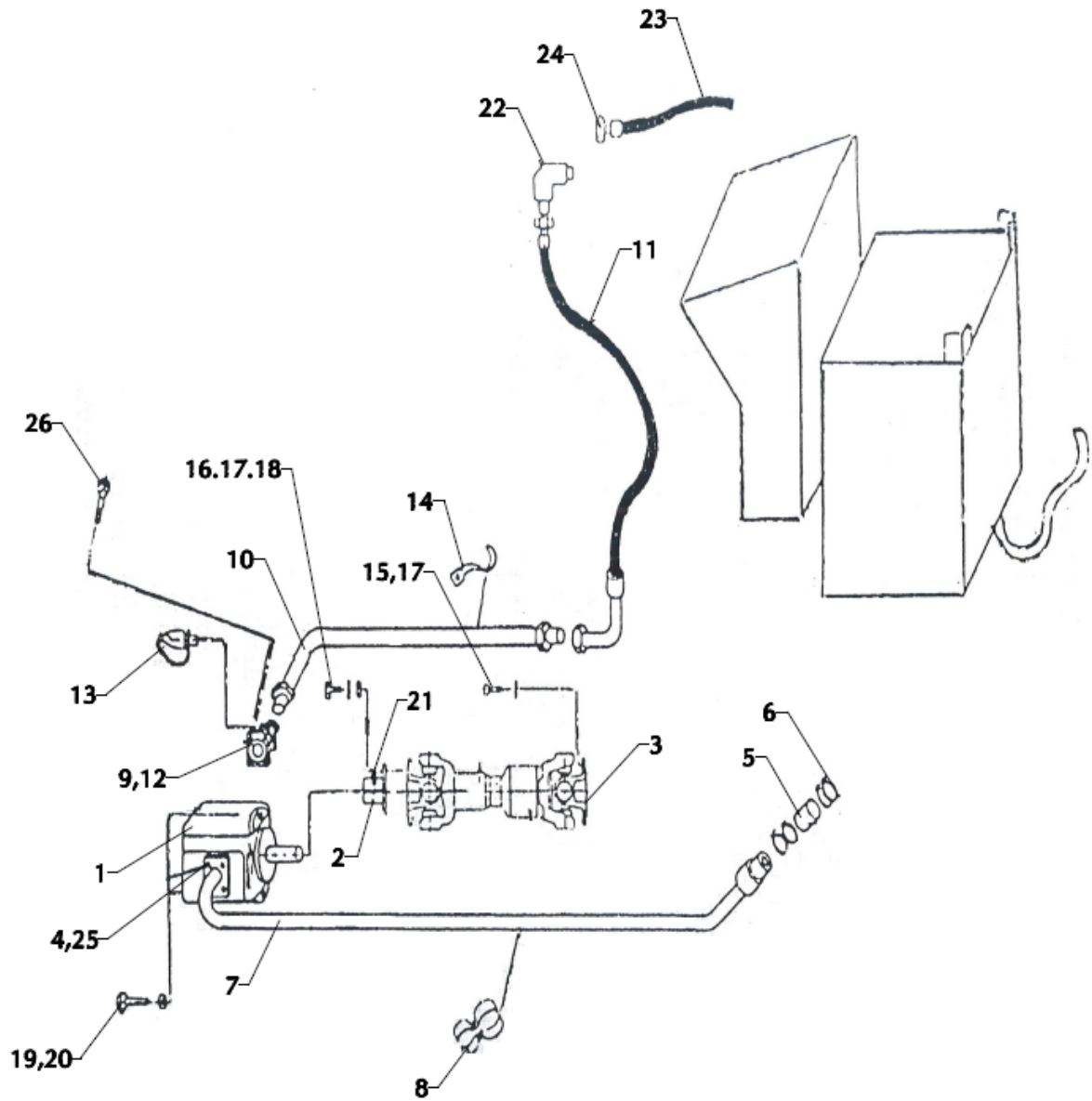


HYDRA-14-4P-2P

		Front Wheel Brake Assy		
S No	Part No	Description	Qty	Remarks
47	B.1.10.14.8G	BOLT	4	
	8V1925801000	BRAKE PLATE ASYY LH	1	
	8V1925802000	BRAKE PLATE ASYY RH	1	
	29966507	WHEEL CYLINDER REPAIR KIT	1	

HYDRAULICS

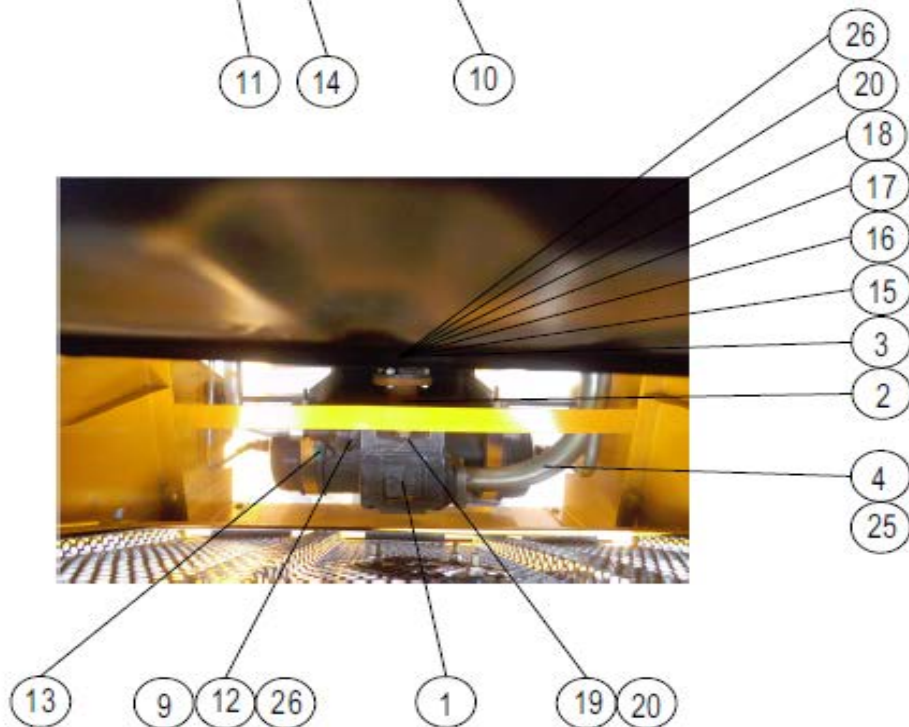
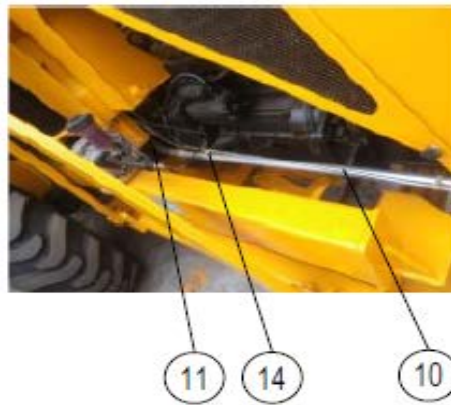
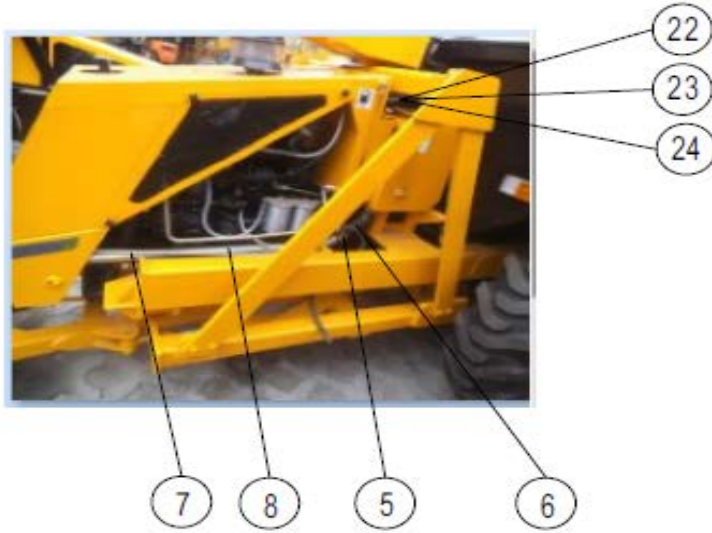
Pumping Assy_7201137 Sheet-1



HYDRA-14-4P-2P

HYDRAULICS		Pumping Assy		
S No	Part No	Description	Qty	Remarks
1	V19328021	HYDRAULIC PUMP	1	
2	V16590010	ADAPTOR PUMP	1	
3	8M8533800A0	PROPELLER SHAFT	1	
4	V18450300	'O' RING	1	
5	8PP1070300	SUCTION HOSE	1	
6	8M004161300	HOSE CLAMP	4	
7	8V19458760	SUCTION PIPE	1	
8	V19451080	CLAMP SUCTION TUBE	1	
9	V19451092	FLANGE	1	
10	V19458352	TUBE ASSY	1	
11	8HA62201200	HOSE	1	
12	V18450060	'O' RING	1	
13	8PP11293000	MEASURING NIPPLE	4	
14	V19451150	CLAMP	1	
15	9100317	HEXAGON SOCKET HEAD CAP SCREW	4	
16	9100171	HEXAGONAL HEAD SCREW	4	
17	9100046	SPRING LOCK WASHER	8	
18	9100068	HEXAGON NUT	4	
19	9100550	HEXAGON SOCKET HEAD CAP SCREW	2	
20	9100352	SPRING LOCK WASHER	2	
21	9100571	HEXAGON SOCKET SET SCREW	1	
22	V19451200	ELBOW	1	
23	V19450950	HOSE	1	
24	8M850946000	LOCK NUT	1	
25	9100226	HEXAGON HEAD BOLT	4	
26	9100190	HEXAGON SOCKET HEAD CAP SCREW	4	

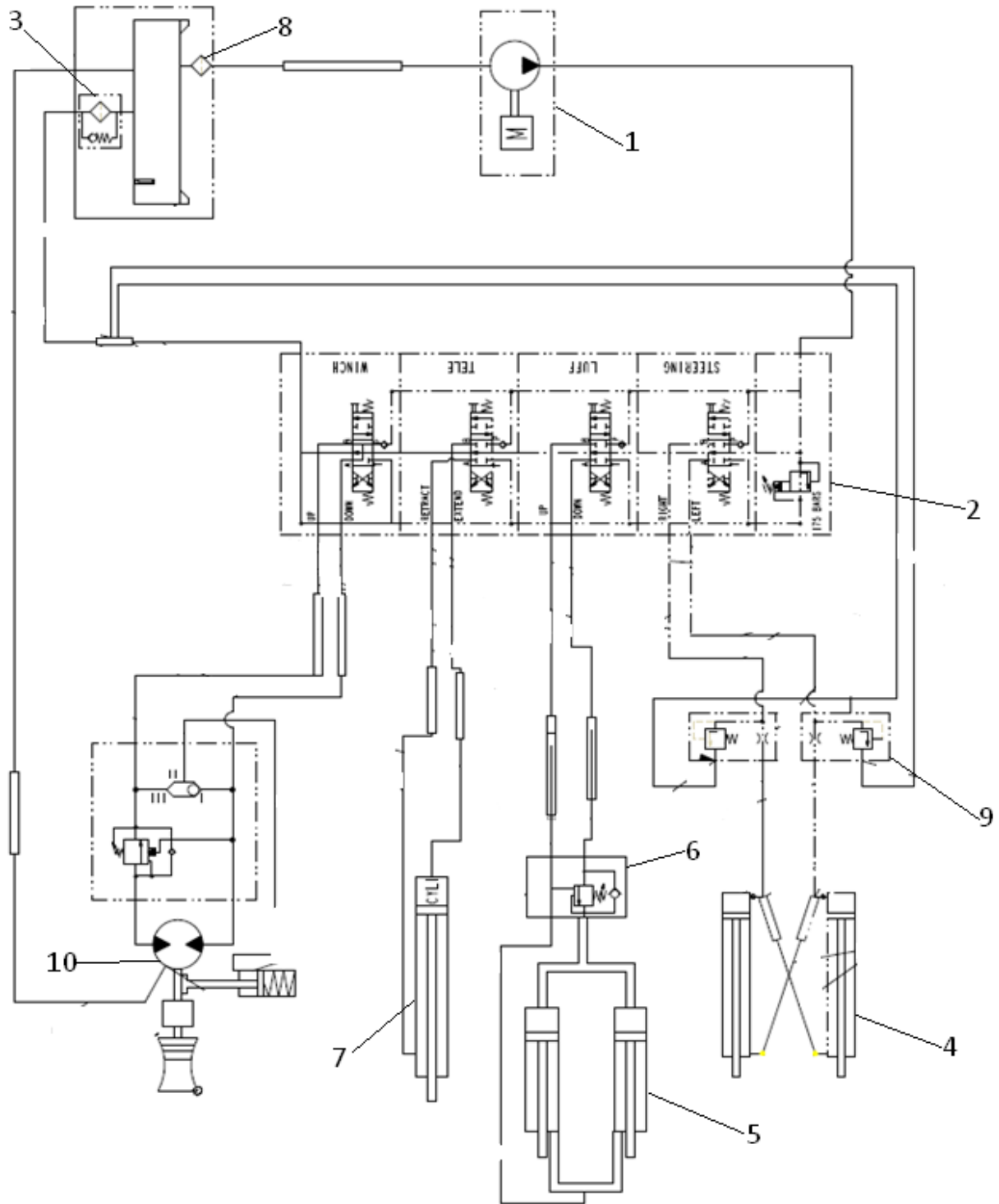
Pumping Assy_7201137 Sheet-2



HYDRA-14-4P-2P

HYDRAULICS		Pumping Assy		
S No	Part No	Description	Qty	Remarks
1	V19328021	HYDRAULIC PUMP	1	
2	V16590010	ADAPTOR PUMP	1	
3	8M8533800A0	PROPELLER SHAFT	1	
4	V18450300	'O' RING	1	
5	8PP1070300	SUCTION HOSE	1	
6	8M004161300	HOSE CLAMP	4	
7	8V19458760	SUCTION PIPE	1	
8	V19451080	CLAMP SUCTION TUBE	1	
9	V19451092	FLANGE	1	
10	V19458352	TUBE ASSY	1	
11	8HA62201200	HOSE	1	
12	V18450060	'O' RING	1	
13	8PP11293000	MEASURING NIPPLE	4	
14	V19451150	CLAMP	1	
15	9100317	HEXAGON SOCKET HEAD CAP SCREW	4	
16	9100171	HEXAGONAL HEAD SCREW	4	
17	9100046	SPRING LOCK WASHER	8	
18	9100068	HEXAGON NUT	4	
19	9100550	HEXAGON SOCKET HEAD CAP SCREW	2	
20	9100352	SPRING LOCK WASHER	2	
21	9100571	HEXAGON SOCKET SET SCREW	1	
22	V19451200	ELBOW	1	
23	V19450950	HOSE	1	
24	8M850946000	LOCK NUT	1	
25	9100226	HEXAGON HEAD BOLT	4	
26	9100190	HEXAGON SOCKET HEAD CAP SCREW	4	

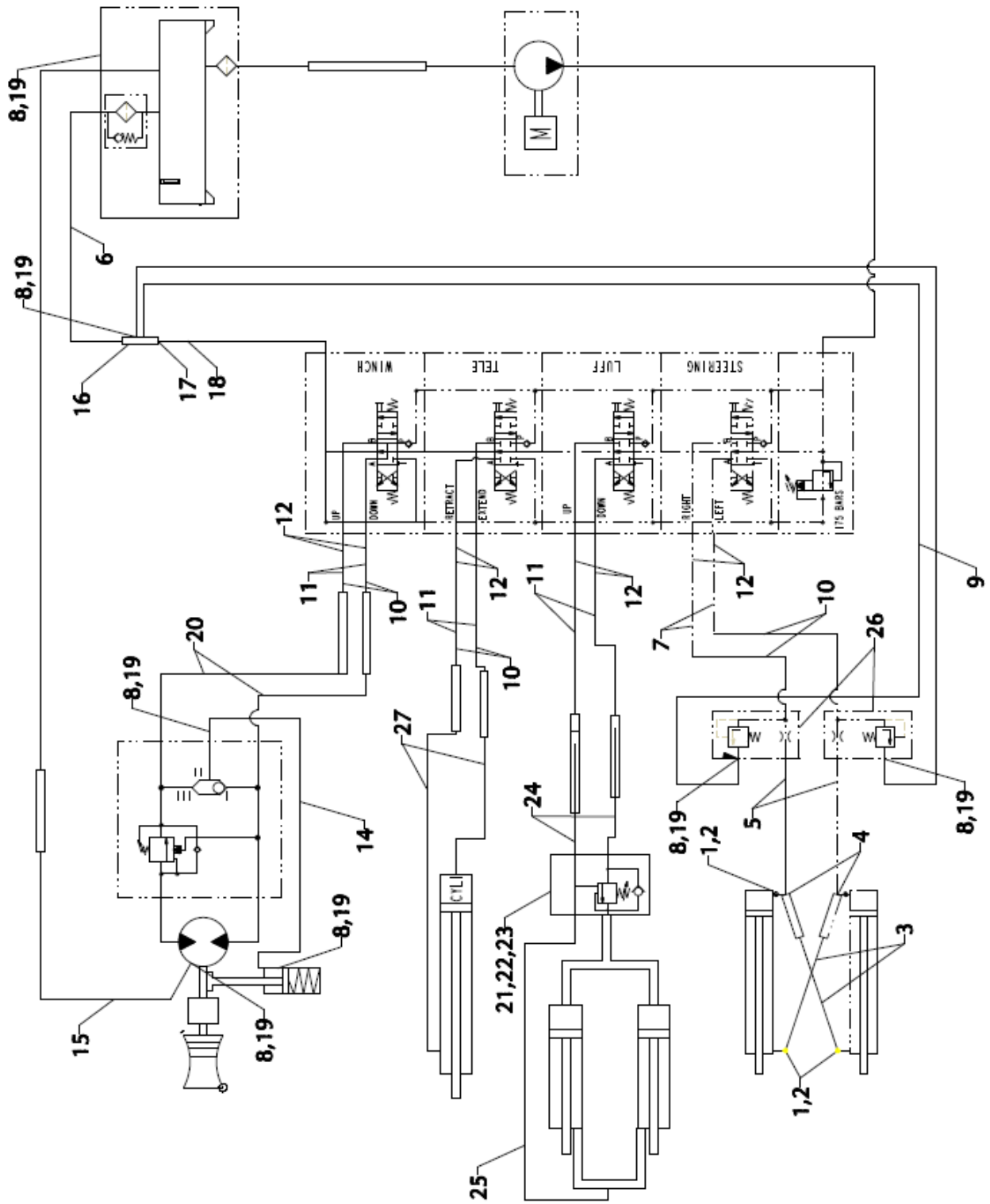
Hydraulic Aggregates



HYDRA-14-4P-2P

HYDRAULICS		Hydraulic Aggregates		
S No	Part No	Description	Qty	Remarks
1	8V193280210	HYDRAULIC PUMP	1	
2	7200063	CONTROL VLAVE	1	
3	8V194588000	RETURN LINE FILTER	1	
4	8V233680100	STEERING CYLINDER	2	
5	8V232747110	LUFF CYLINDER	2	
6	8PP11651000	COUNTER BALANCE VALVE	1	
7	7200483	EXTENSION CYLINDER	1	
8	8V014702100	SUCTION STRAINER 40GPM	1	
9	824B4001000	FM3	2	
10	7202064	WINCH	1	

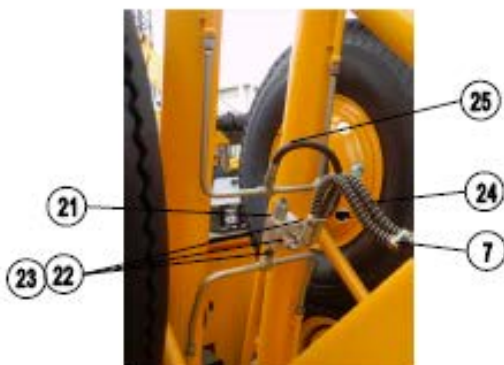
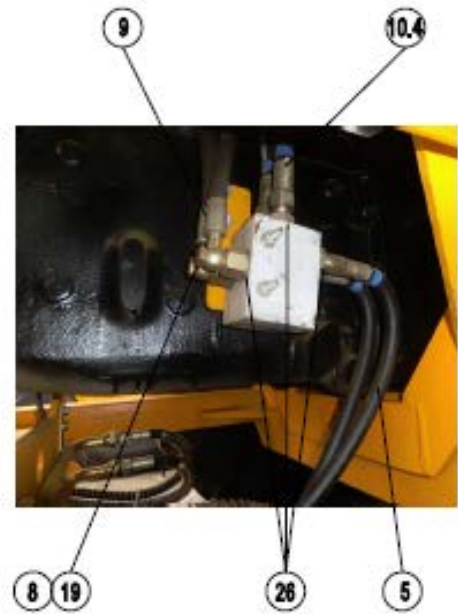
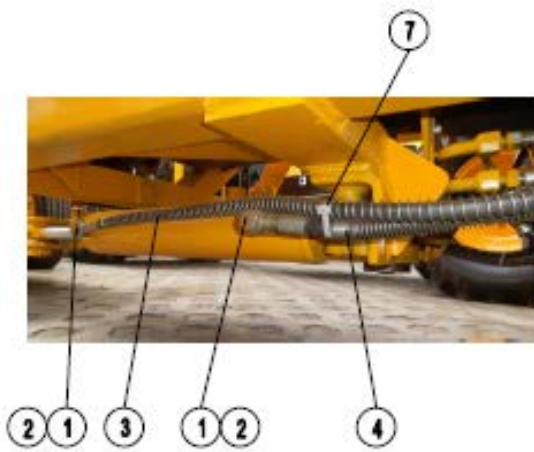
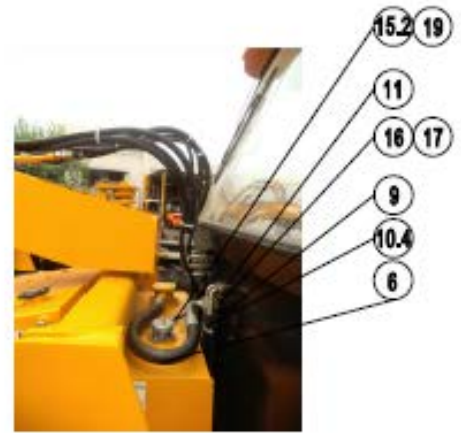
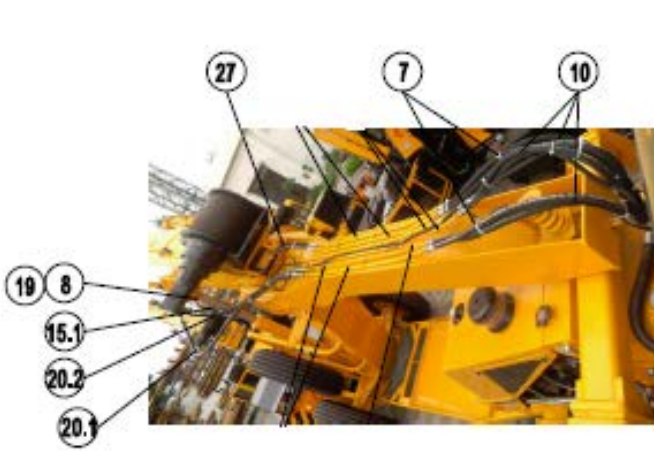
Hydraulic Hoses & Fittings Sheet-1



HYDRA-14-4P-2P

HYDRAULICS		Hydraulic Hoses & Fittings		
S No	Part No	Description	Qty	Remarks
1	8V19451750	BANJO BOLT	4	Steering Cyld ports
2	8G95601007	DOWTY SEAL	8	Steering Cyld ports
3	8HI62101130	HOSE	2	Stg. Pipe to Rod end (Stg. Cyld)
4	8HI62100620	HOSE	2	Stg. Pipe to Cap end (Stg. Cyld)
5	8HC62100620	HOSE	2	F & P Valve to Stg. Pipe
6	8HC62250800	HOSE	1	Return Tee to Return Filter
7	8F004716400	HOSE CLAMP	30	for Hoses tieing
8	8T540000170	BANJO BOLT	8	2 F & P; 3 Winch; 2 Return Tee; 1 Hydraulic Tank
9	8HC62150820	HOSE	2	F & P 'T' port to Return Tee
10	819C2034000	HOSE	6	Cabin to Hyd. Lines 2 each for Luff, Ext. & Winch
10.4	7203513	HOSE	2	Cabin Face to Lines 2 each for Stg.
10.5	8HC62121000	HOSE	2	?
11	8V167009100	CHECK NUT	8	Cabin for Bulk head holding of Luff, Ext, Winch & Stg.
12	8HZ62120980	HOSE	10	B/w C.Valve ports & Cabin for Luff, Ext., Winch & Stg.
13	-	-	-	
14	8V0551130A0	HOSE	1	Winch Brake hose
15.1	8H16412130	L P HOSE	1	Winch drain line
15.2	7204124	L.P HOSE	1	Winch drain line
16	8V19451660B	TEE RETURN	1	Tee Return
17	8M850998000	LOCK NUT	1	for Tee return
18	8HC61250820	HOSE	1	Between C.Valve 'T' port & Return 'Tee' at Cabin
19	9100099	COPPER WASHER	14	2 F & P; 3 Winch; 2 Return Tee; 1 Hydraulic Tank
20.1	7204120	HOSE	1	Between Winch port & its pipe
20.2	7204121	HOSE	1	Between Winch port & its pipe
21	8PP11651000	C B VALVE Tucson	1	C B Valve
22	8V121107800	ADAPTOR	4	at C B Valve
23	8G956010050	DOWTY SEAL	4	at C B Valve
24	7204119	HOSE	2	Between C B Valve & Pipe
25	8HA62120550	HOSE	1	C B Valve to U-Tube Upper
26	823A4009000	FM3 VALVE ASSY	1	Including 2 FM3, Bkt. Adaptors, Seals & H/W
27	8HC62121350	HOSE	2	Between Ext. Cyld. Ports & Pipe

Hydraulic Hoses & Fittings Sheet-2

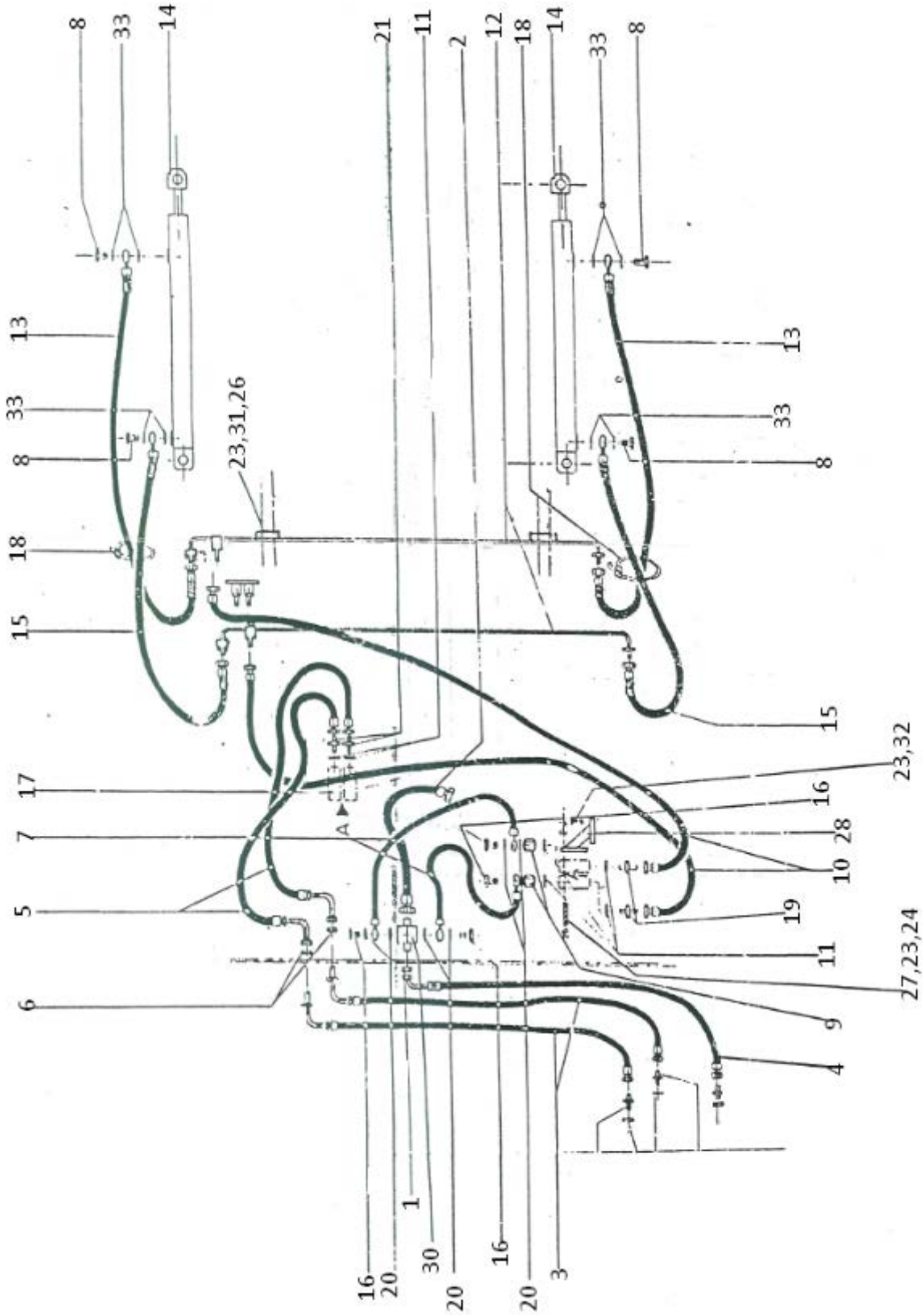


**PIPES & HOSES
ASSY**

HYDRA-14-4P-2P

HYDRAULICS		Hydraulic Hoses & Fittings		
S No	Part No	Description	Qty	Remarks
1	8V19451750	BANJO BOLT	4	Steering Cyld ports
2	8G95601007	DOWTY SEAL	8	Steering Cyld ports
3	8HI62101130	HOSE	2	Stg. Pipe to Rod end (Stg. Cyld)
4	8HI62100620	HOSE	2	Stg. Pipe to Cap end (Stg. Cyld)
5	8HC62100620	HOSE	2	F & P Valve to Stg. Pipe
6	8HC62250800	HOSE	1	Return Tee to Return Filter
7	8F004716400	HOSE CLAMP	30	for Hoses tieing
8	8T540000170	BANJO BOLT	8	2 F & P; 3 Winch; 2 Return Tee; 1 Hydraulic Tank
9	8HC62150820	HOSE	2	F & P 'T' port to Return Tee
10	819C2034000	HOSE	6	Cabin to Hyd. Lines 2 each for Luff, Ext. & Winch
10.4	7203513	HOSE	2	Cabin Face to Lines 2 each for Stg.
10.5	8HC62121000	HOSE	2	?
11	8V167009100	CHECK NUT	8	Cabin for Bulk head holding of Luff, Ext, Winch & Stg.
12	8HZ62120980	HOSE	10	B/w C.Valve ports & Cabin for Luff, Ext., Winch & Stg.
13	-	-	-	
14	8V0551130A0	HOSE	1	Winch Brake hose
15.1	8H16412130	L P HOSE	1	Winch drain line
15.2	7204124	L.P HOSE	1	Winch drain line
16	8V19451660B	TEE RETURN	1	Tee Return
17	8M850998000	LOCK NUT	1	for Tee return
18	8HC61250820	HOSE	1	Between C.Valve 'T' port & Return 'Tee' at Cabin
19	9100099	COPPER WASHER	14	2 F & P; 3 Winch; 2 Return Tee; 1 Hydraulic Tank
20.1	7204120	HOSE	1	Between Winch port & its pipe
20.2	7204121	HOSE	1	Between Winch port & its pipe
21	8PP11651000	C B VALVE Tucson	1	C B Valve
22	8V121107800	ADAPTOR	4	at C B Valve
23	8G956010050	DOWTY SEAL	4	at C B Valve
24	7204119	HOSE	2	Between C B Valve & Pipe
25	8HA62120550	HOSE	1	C B Valve to U-Tube Upper
26	823A4009000	FM3 VALVE ASSY	1	Including 2 FM3, Bkt. Adaptors, Seals & H/W
27	8HC62121350	HOSE	2	Between Ext. Cyld. Ports & Pipe

Steering System_824A4002000 Sheet-1



HYDRA-14-4P-2P

HYDRAULICS		Steering System		
S No	Part No	Description	Qty	Remarks
1	8M850998000	LOCK NUT	1	
2	8HC62250800	HOSE	1	
3	8HZ62120980	HOSE	2	
4	8HC61250820	HOSE	1	
5	7203513	HOSE	2	
6	8V167009100	CHECK NUT	2	
7	8HL03100920	HOSE	2	
8	8V194517500	BANJO BOLT	4	M18 X 1.5
9	8V054540000	ADAPTOR	2	
10	8HC62100620	H.P.HOSE	2	
11	8V164201200	DOWTY SEAL	6	
12	8V19458980B	TUBE ASSY	1	
13	8HI62101130	HOSE	2	
14	8V233680100	STEERING CYLINDER	2	
15	8HI62100620	HOSE	2	
16	8T540000170	BANJO BOLT	4	M14
17	824B4001000	FLOW & PRESSURE RELIEF VALVE	2	
18	8F004716400	TIGHTENING CLAMP	4	300MM
19	8V18450331A	ADAPTOR	2	
20	9100099	COPPER WASHER	8	M14
21	8V19451330A	ADAPTOR	2	
22	-	-	-	-
23	9100046	SPRING WASHER	10	M8
24	9100068	HEX NUT	4	M8
25	-	-	-	-
26	9100166	HEX SCREW	4	M8 X 25
27	8V194903300	STUD	2	
28	8V183600110	BRACKET FM-3	1	
29	-	-	-	-
30	8V19451660B	TEE RETURN	1	
31	9100046	PUNCHED WASHER	4	M8
32	9100167	HEX SCREW	2	M8 X 15
33	8V194517600	DOWTY SEAL	8	M18 X1.5

Steering System_824A4002000 Sheet-2



- 5
- 6
- 30
- 1
- 2



- 31
- 23
- 26
- 12



- 7
- 24
- 27
- 28
- 32
- 21
- 17

- 19



- 18

- 33
- 8
- 14
- 8
- 33

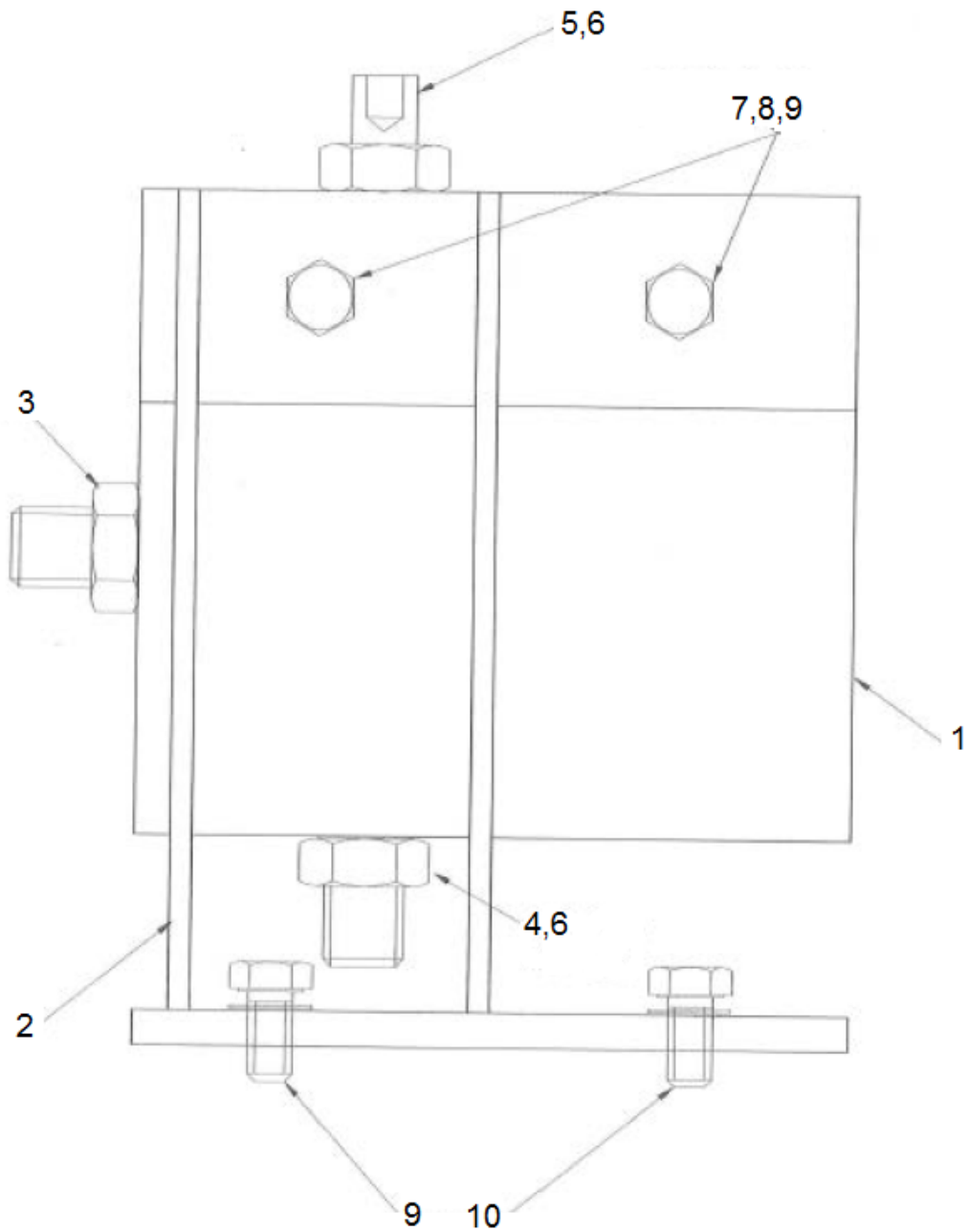
- 15

- 20
- 16
- 9
- 11
- 10

HYDRA-14-4P-2P

HYDRAULICS		Steering System		
S No	Part No	Description	Qty	Remarks
1	8M850998000	LOCK NUT	1	
2	8HC62250800	HOSE	1	
3	8HZ62120980	HOSE	2	
4	8HC61250820	HOSE	1	
5	7203513	HOSE	2	
6	8V167009100	CHECK NUT	2	
7	8HL03100920	HOSE	2	
8	8V194517500	BANJO BOLT	4	M18 X 1.5
9	8V054540000	ADAPTOR	2	
10	8HC62100620	H.P.HOSE	2	
11	8V164201200	DOWTY SEAL	6	
12	8V19458980B	TUBE ASSY	1	
13	8HI62101130	HOSE	2	
14	8V233680100	STEERING CYLINDER	2	
15	8HI62100620	HOSE	2	
16	8T540000170	BANJO BOLT	4	M14
17	824B4001000	FLOW & PRESSURE RELIEF VALVE	2	
18	8F004716400	TIGHTENING CLAMP	4	300MM
19	8V18450331A	ADAPTOR	2	
20	9100099	COPPER WASHER	8	M14
21	8V19451330A	ADAPTOR	2	
22	-	-	-	-
23	9100046	SPRING WASHER	10	M8
24	9100068	HEX NUT	4	M8
25	-	-	-	-
26	9100166	HEX SCREW	4	M8 X 25
27	8V194903300	STUD	2	
28	8V183600110	BRACKET FM-3	1	
29	-	-	-	-
30	8V19451660B	TEE RETURN	1	
31	9100046	PUNCHED WASHER	4	M8
32	9100167	HEX SCREW	2	M8 X 15
33	8V194517600	DOWTY SEAL	8	M18 X1.5

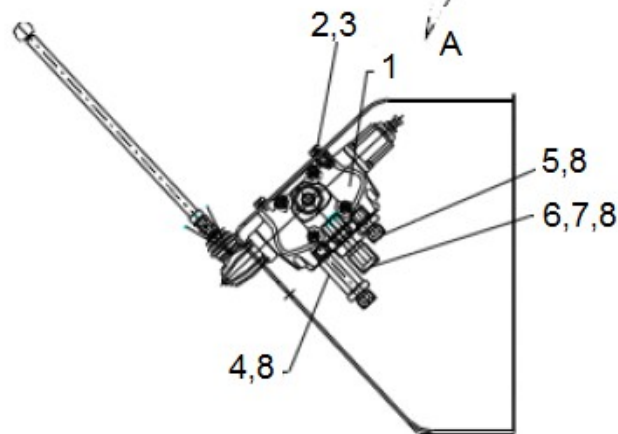
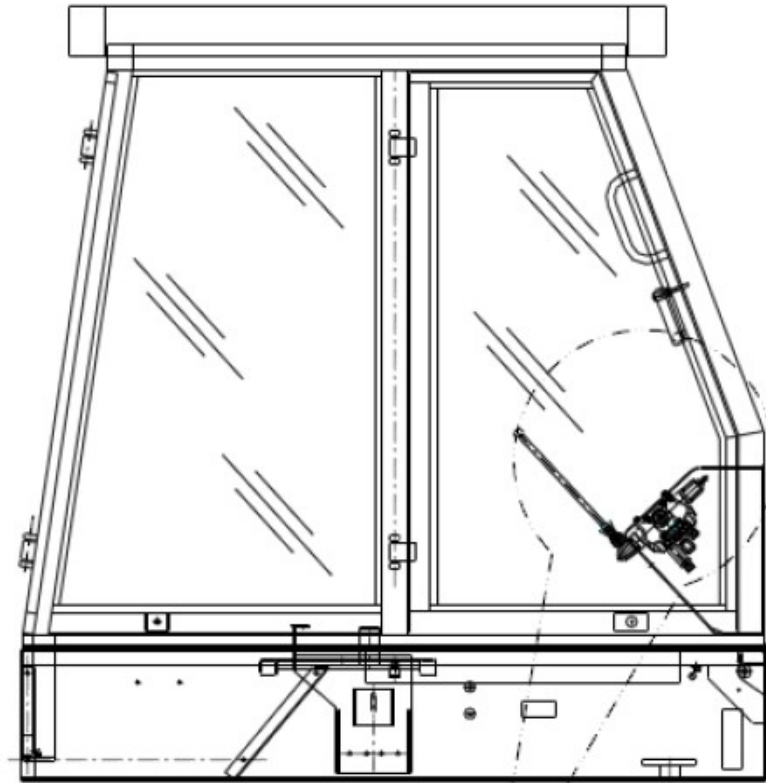
Flow Comp. Valve Assy_823A4009000



HYDRA-14-4P-2P

HYDRAULICS		Flow Comp. Valve Assy		
S No	Part No	Description	Qty	Remarks
1	824B4001000	FLOW COMPENSATING RELIEF VALVE	2	
2	7203161	BRACKET - FM3 MOUNTING	1	
3	V19451330	ADAPTOR	2	
4	V18450331	ADAPTOR	2	
5	8V05454000	ADAPTOR	2	
6	956010070	DOWTY SEAL	6	
7	V19490330	STUD	2	
8	9100068	NUT M8	4	
9	9100046	SPRING WASHER M8	6	
10	9100061	HEX SCREW M8	4	

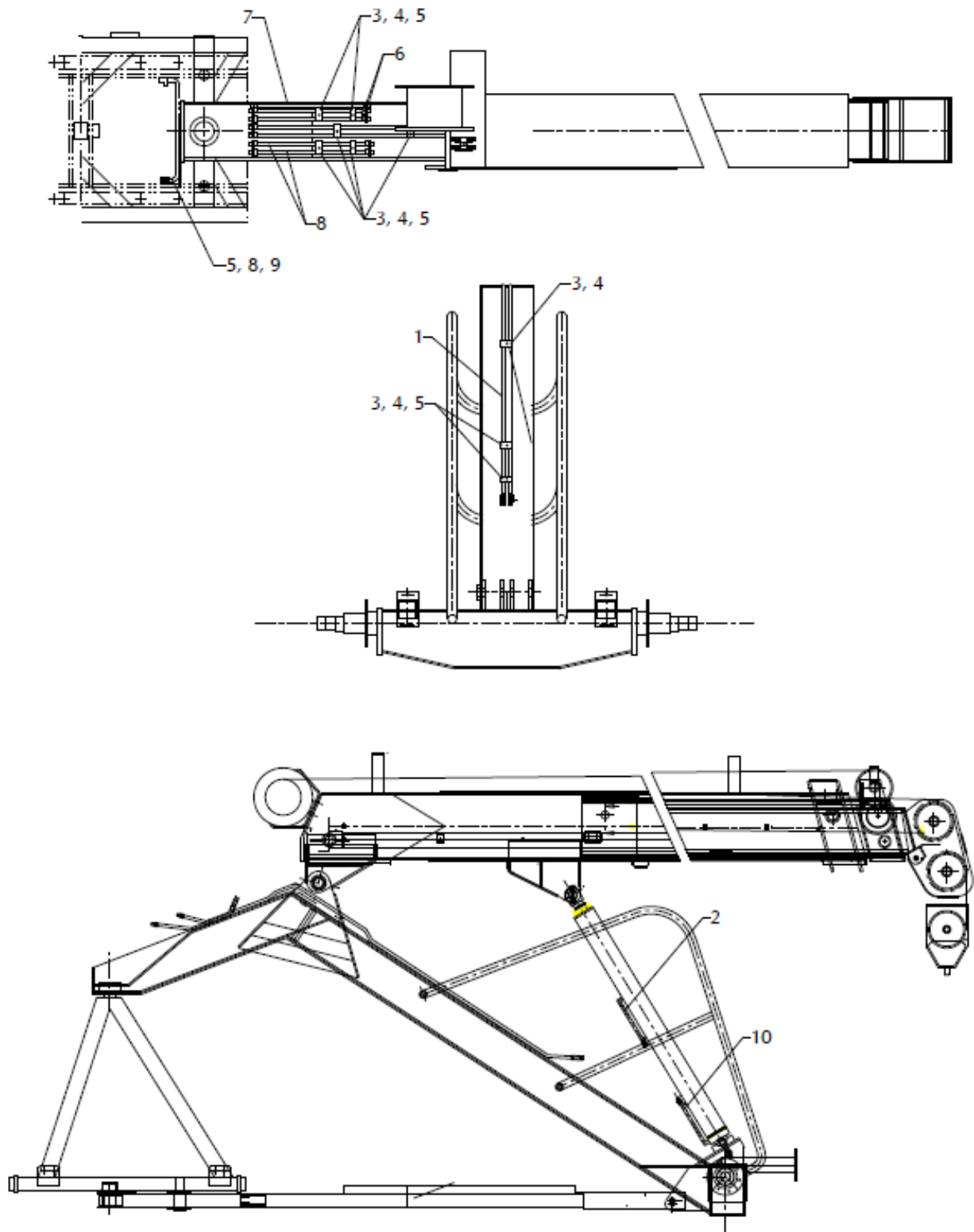
Control Valve System_7200062



HYDRA-14-4P-2P

HYDRAULICS		Control Valve System		
S No	Part No	Description	Qty	Remarks
1	7200063	CONTROL VALVE	1	FOR WALVOIL/HYDROCONTROL
2.A	91000131	HEX SCREW M8X15	4	FOR WALVOIL
2.B	9100208	HEX HEAD BOLT M8X60	4	FOR HYDROCONTROL
2.C	9100068	HEXAGON NUT	4	FOR HYDROCONTROL
3.A	9100046	PUNCHED WASHER A9	4	FOR WALVOIL/HYDROCONTROL
3.B	9100062	SPRING LOCK WASHER A8	4	FOR HYDROCONTROL
4	819B4072000	ADAPTOR	4	LONG
5	819B4073000	ADAPTOR	4	SHORT
6	819B4074000	ADAPTOR	1	P-PORT
7	7203368	ADAPTOR	1	T-PORT
8	8G956010050	DOWTY SEAL	9	P,A & B PORTTS
9	8G956010070	DOWTY SEAL	1	T-PORT

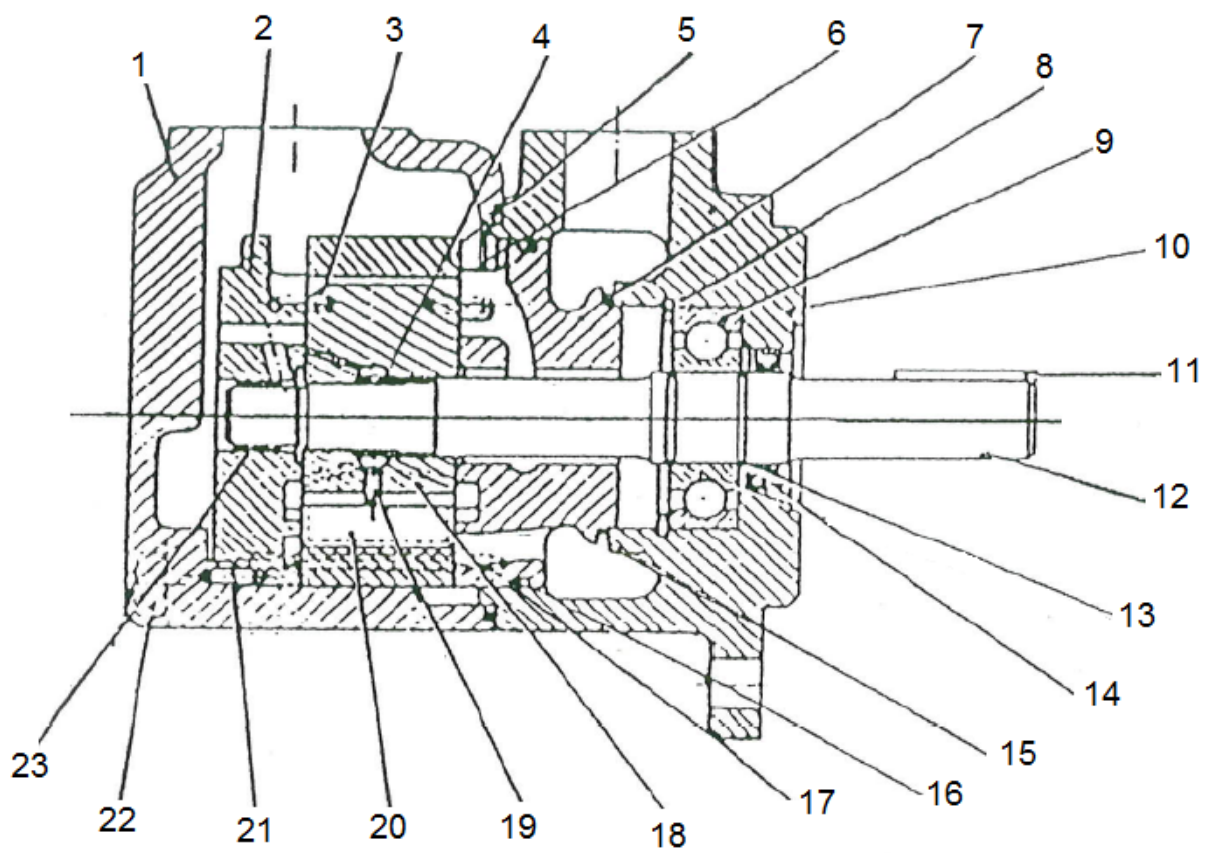
Hydraulic Pipe Assy_7200344 Sheet-1



HYDRA-14-4P-2P

HYDRAULICS		Hydraulic Pipe Assy		
S No	Part No	Description	Qty	Remarks
1	7200316	PIPE ASSY	1	
2	8V194588200	U TUBE ASSY UPPER	1	
3	85.09.69	CLAMP	9	
4	9100167	HEXAGON HEAD SCREW	9	
5	9100046	SPRING LOCK WASHER	17	
6	V23273230	PIPE WINCH	4	
7	V23273240	PIPE WINCH DRAIN	1	
8	V19458980	PIPE EXTENSION	1	
9	9100166	HEXAGON HEAD SCREW	4	
10	819HP007000	U TUBE ASSY LOWER	1	

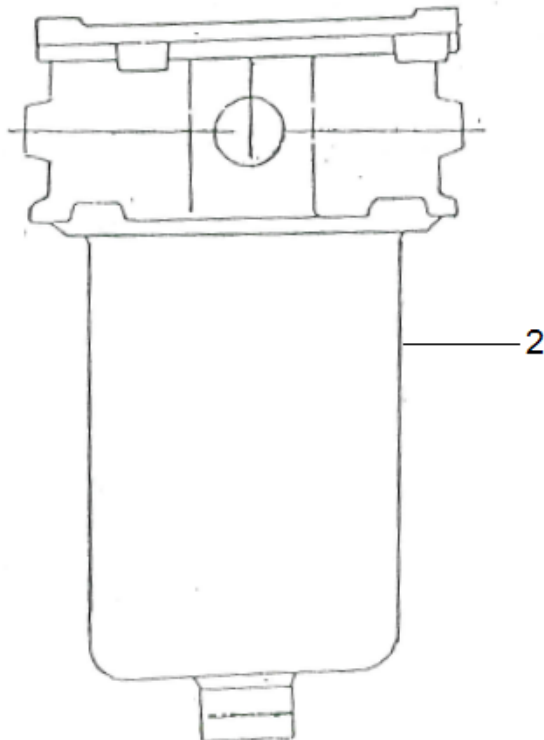
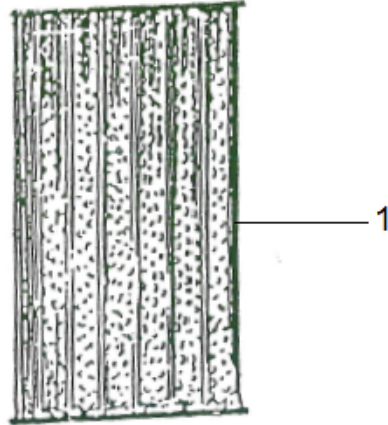
Hydraulic Pump_8V193280210



HYDRA-14-4P-2P

HYDRAULICS		Hydraulic Pump		
S No	Part No	Description	Qty	Remarks
1	034-48564	Housing	1	
2	34.59774	Port Plate Rear	1	
3	324-21208	Dowel Pin	2	
4	034-59054	Cam Ring	1	
5	671-00244	"O" Ring	1	
6	618-15016	Back U Ring	1	
7	034-59772	Port Plate Pressure	1	
8	356-30244	Retaining Ring	1	
9	230-82054	Ball Bearing	1	
10	034-48565	Mounting Cap	1	
11	034-49622	Key	1	
12	034-70880	Shaft	1	
13	034-70777	Round Section Ring	2	
14	620-82012	Shaft Seal	1	
15	691-10229	SQ. Section Ring	1	
16	691-16238	SQ. Section Ring	1	
17	317-06266	Screw	2	
18	S24-10116	Rotor Insert seal	1	
19	034-59098	Pin- Vane Hold out	10	
20	034-59099	Vane	10	
21	323-82010	Dowel Pin	1	
22	306-40038	Screw	4	
23	034-71867	Bush	1	
	8V1932802100	Hydraulic Pump		
X	SHY - 2218.000	Seal kit	1	
	SHY - 2225.000	Cartridge Kit	1	

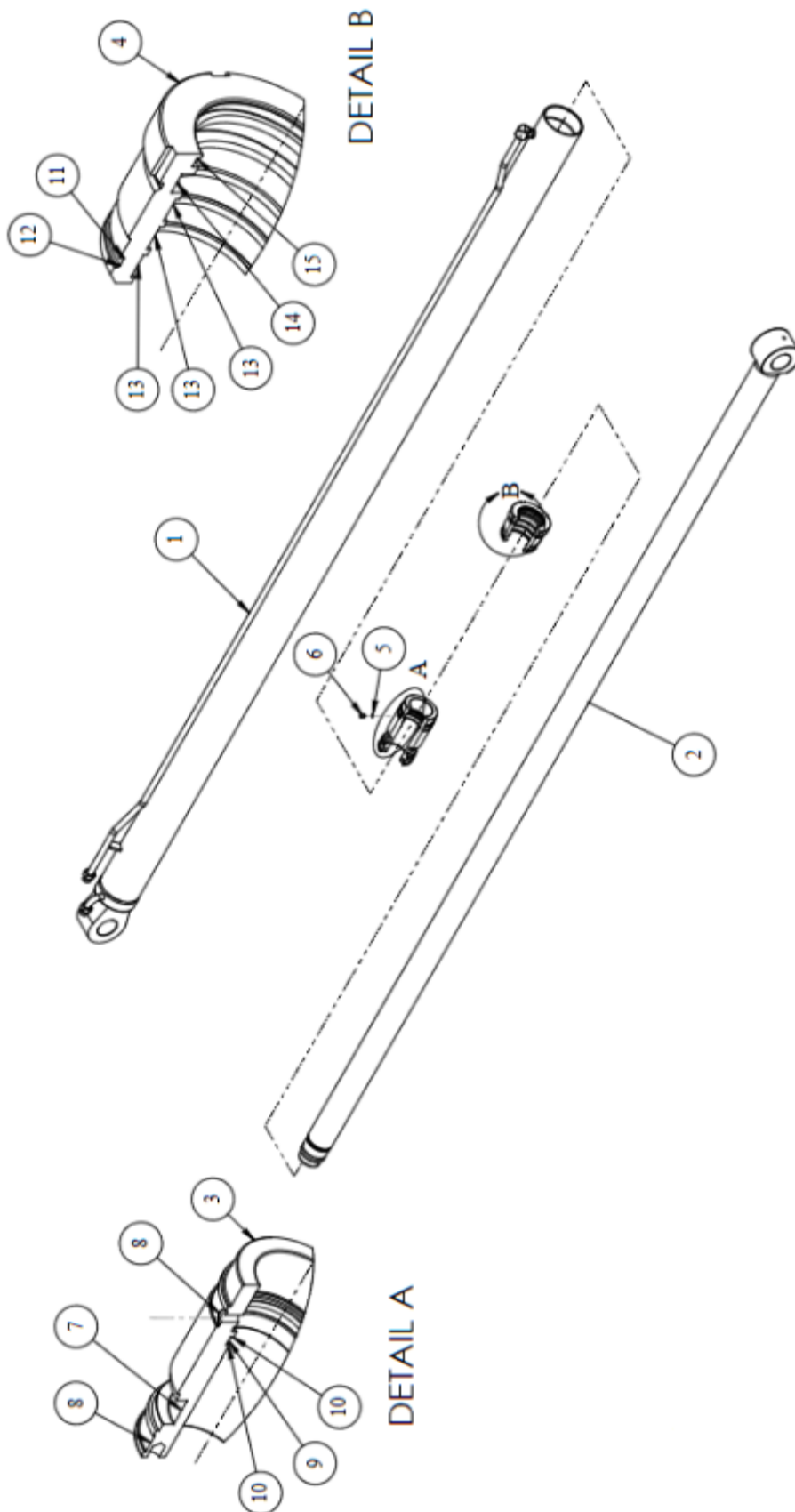
Return line Filter_8V194588000



HYDRA-14-4P-2P

HYDRAULICS		Return Line Filter		
S No	Part No	Description	Qty	Remarks
1	TIF-08-025	ELEMENT	1	
2	8V194588000	FILTER ASSY	1	

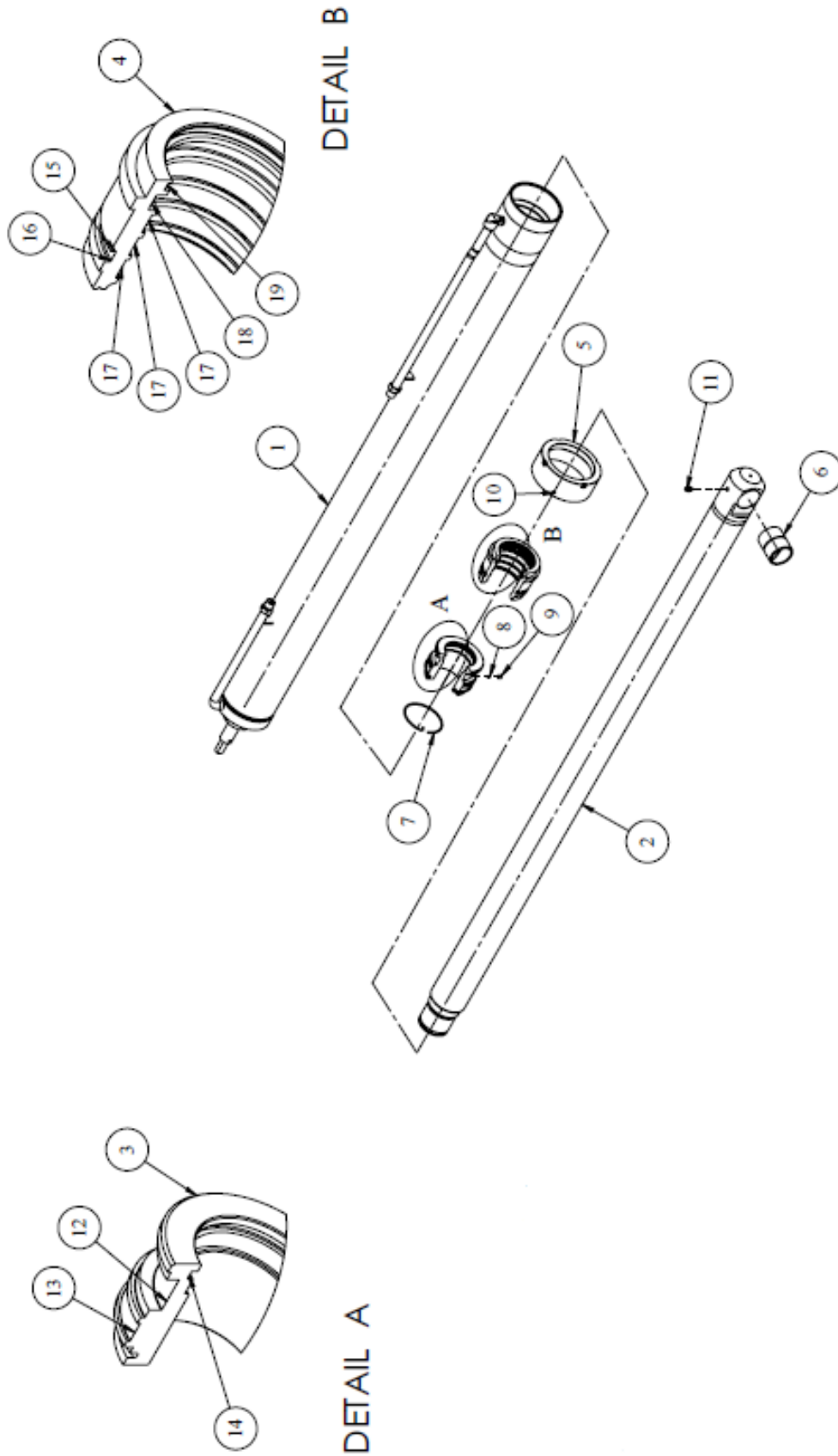
Extension Cylinder-Dantal_7200483



HYDRA-14-4P-2P

HYDRAULICS		Extension cylinder-Dantal		
S No	Part No	Description	Qty	Remarks
1	NS	TUBE FINAL WELDMENT	1	
2	NS	PISTON ROD WELDMENT	1	
3	NS	PISTON	1	
4	NS	GLAND	1	
5	NS	STEEL BALL	1	
6	NS	GRUB SCREW	1	
7	NS	PISTON SEAL	1	
8	NS	SLYD RING	2	
9	NS	O RING	1	
10	NS	BACK UP RING	2	
11	NS	BACK UP RING	1	
12	NS	O RING	1	
13	NS	SLYD RING	3	
14	NS	ROD SEAL	1	
15	NS	WIPER SEAL	1	
16	SDY.2385.000	SEAL KIT OF CPNSIST 7 TO 15	1	

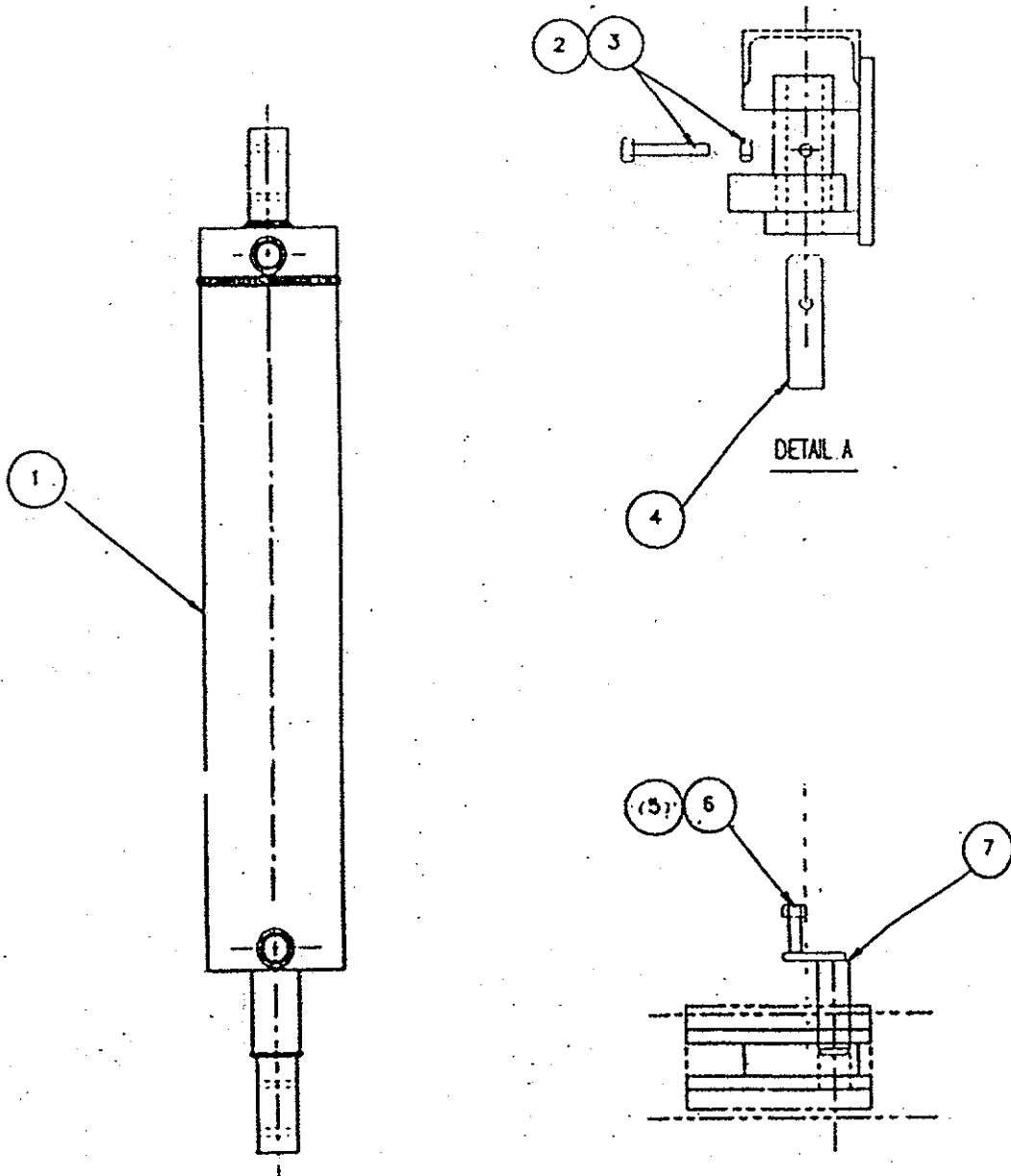
Luff Cylinder-Dantal_8V232747110



HYDRA-14-4P-2P

HYDRAULICS		Luff cylinder-Dantal		
S No	Part No	Description	Qty	Remarks
1	NS	TUBE FINAL WELDMENT	1	
2	NS	ROD WELDMENT	1	
3	NS	PISTON	1	
4	NS	GLAND	1	
5	NS	GLAND CAP	1	
6	V23.27.471.BU	BUSH	1	
7	NS	SNAP RING	1	
8	NS	STEEL BALL DIA 6.3	1	
9	NS	GRUB SCREW	1	
10	NS	GRUB SCREW	1	
11	NS	GREASING NIPPLE	1	
12	NS	PISTON SEAL	1	
13	NS	SLYDRING	1	
14	NS	O RING	1	
15	NS	BACK UP RING	1	
16	NS	O RING	1	
17	NS	SLYD RING	3	
18	NS	ROD SEAL	1	
19	NS	WIPER SEAL	1	
20	SDY.2362.000	SEAL KIT OF CONSIST 12 TO 19	1	

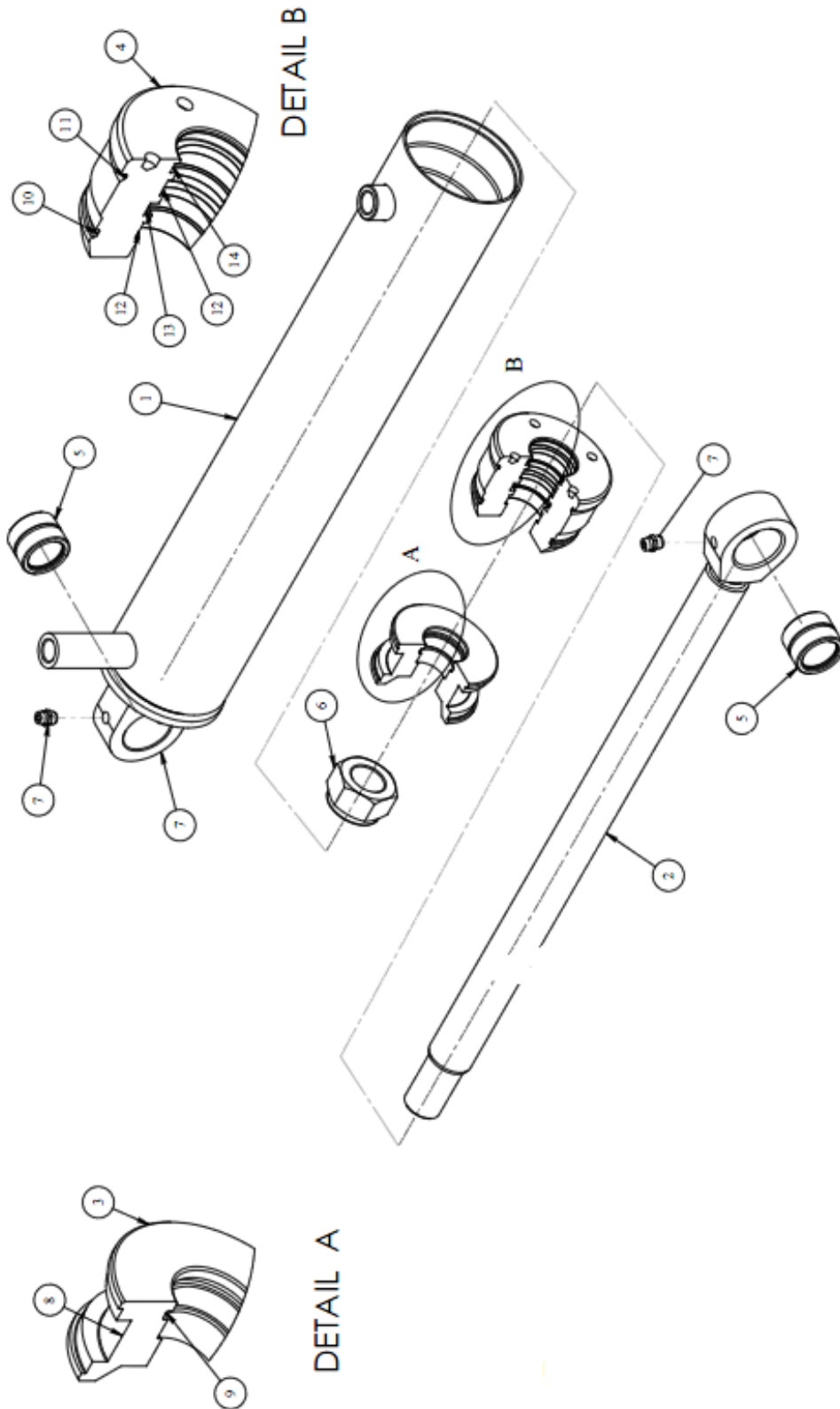
STEERING CYLINDER MOUNTING



HYDRA-14-4P-2P

HYDRAULICS		STEERING CYLINDER MOUNTING		
S No	Part No	Description	Qty	Remarks
1	V23368010	STEERING CYLINDER	2	
2	9100071	HEX BOLT M10X65-8G	2	
3	9100041	NYLOCK NUT M10	2	
4	V19360013	PIN REAR	2	
5	9100267	HEX SCREW M10X25	2	
6	9100044	SPRING WASHER M10	2	
7	7202226	PIN FRONT	2	
	SDY2164000	SEAL KIT STEERING	2	
	SDY2336000	SEAL KIT STEERING	2	

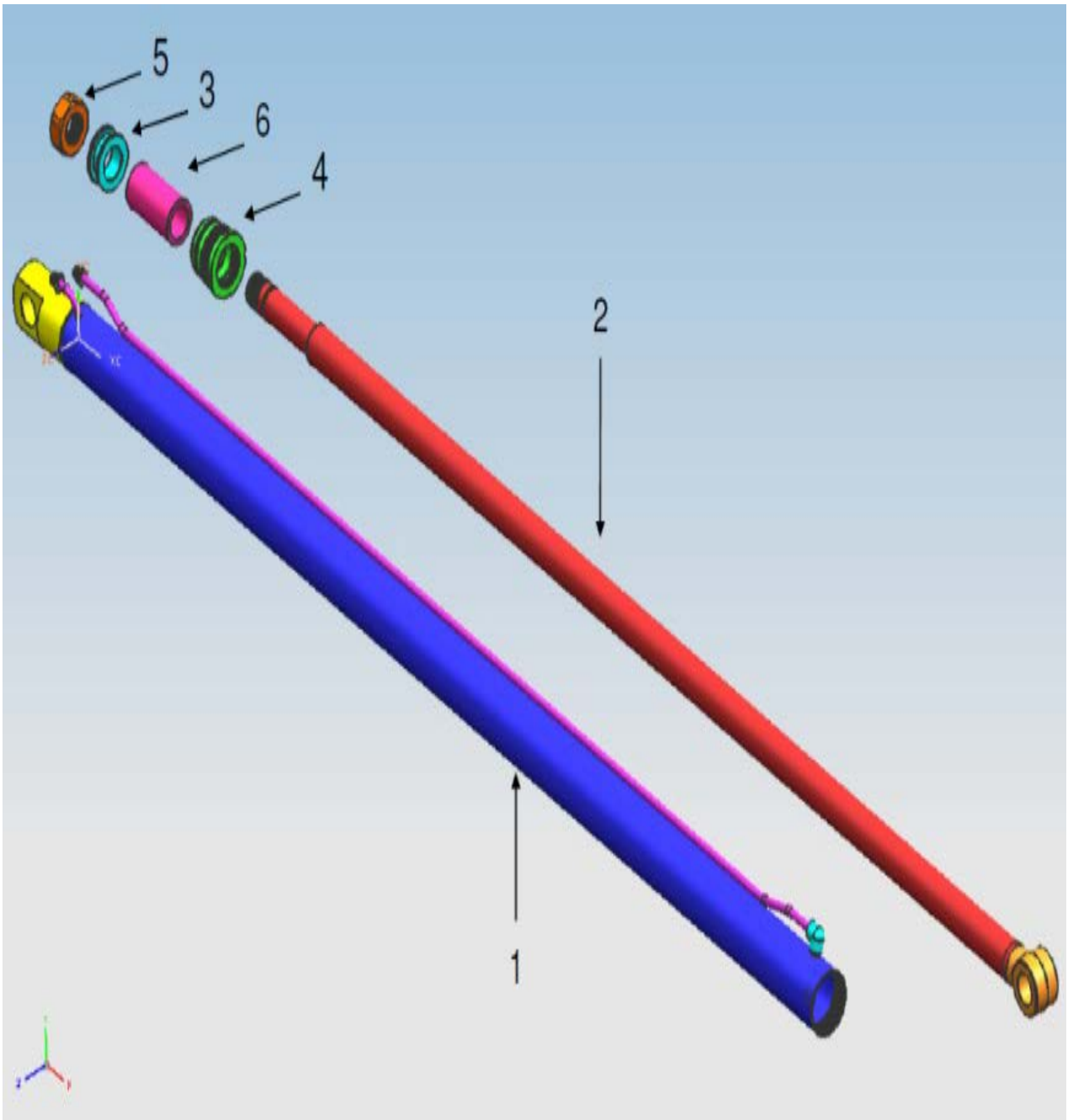
Steering Cylinder-Dantal_8V233680100



HYDRA-14-4P-2P

HYDRAULICS		Steering cylinder-Dantal		
S No	Part No	Description	Qty	Remarks
1	NS	TUBE FINAL WELDMENT	1	
2	NS	PISTON ROD WELDMENT	1	
3	NS	PISTON	1	
4	NS	GLAND	1	
5	V23.36.801/03	BUSH	2	
6	NS	NYLOCK NUT	1	
7	NS	GREASING NIPPLE	1	
8	NS	PISTON SEAL COMPACT	1	
9	NS	O RING	1	
10	NS	O RING	1	
11	NS	O RING	1	
12	NS	SLYD RING ROD	3	
13	NS	ROD SEAL	1	
14	NS	WIPER SEAL	1	
15	SDY.2336.000	SEAL KIT OF CONSIST 12 TO 19	1	

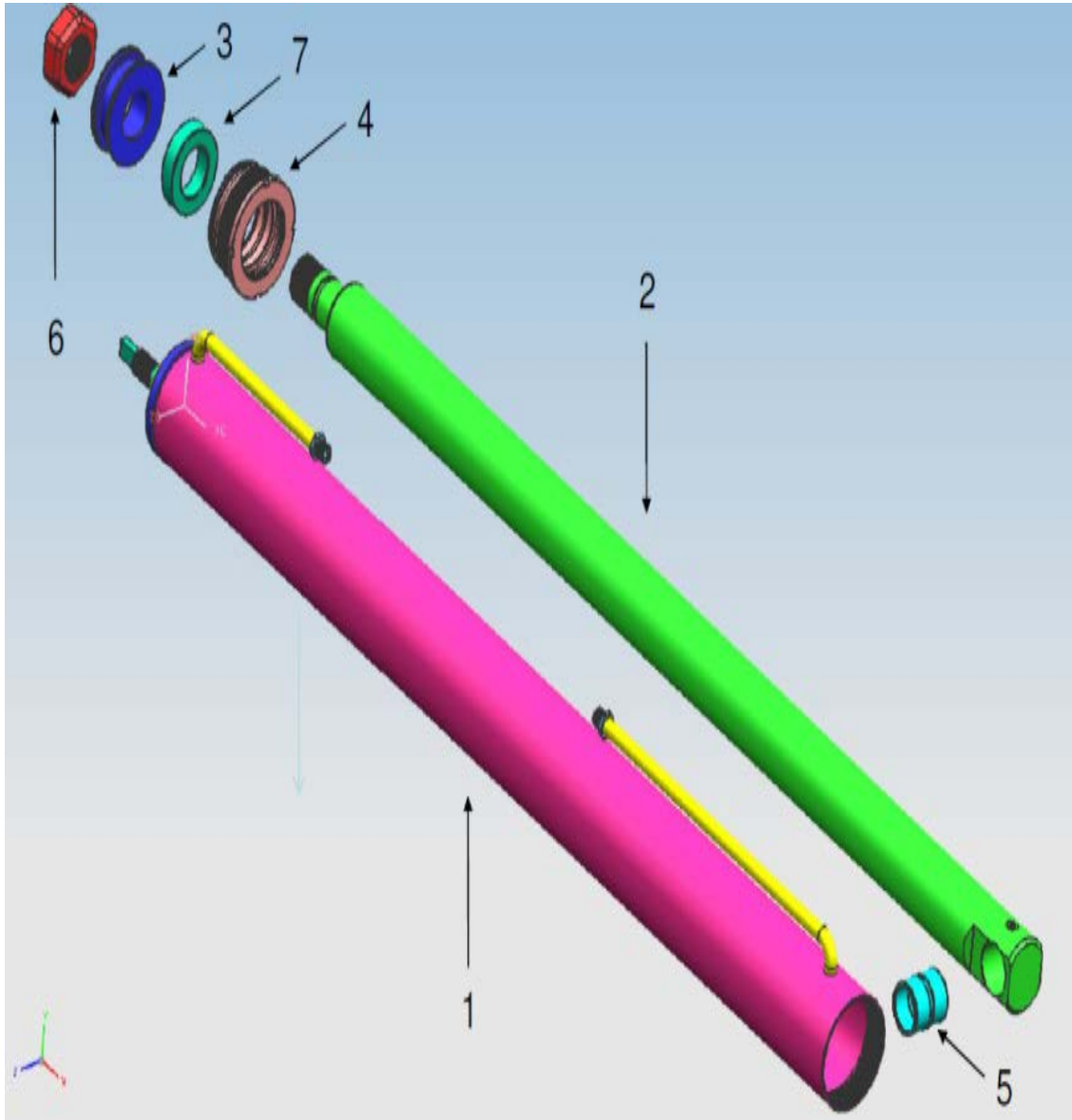
Extension Cylinder-Sundaram_7200483



HYDRA-14-4P-2P

HYDRAULICS		Extension cylinder-Sundaram		
S No	Part No	Description	Qty	Remarks
	NS	Extension Boom Cylinder Assembly	1	
1	NS	Tube Assembly	1	
2	NS	Piston Rod Assembly	1	
3	NS	Piston	1	
4	NS	Gland (H.E Cover)	1	
5	NS	Lock Nut	1	
6	NS	Stop Tube	1	
7	7200483SKS	Spare Seal Kit	1	

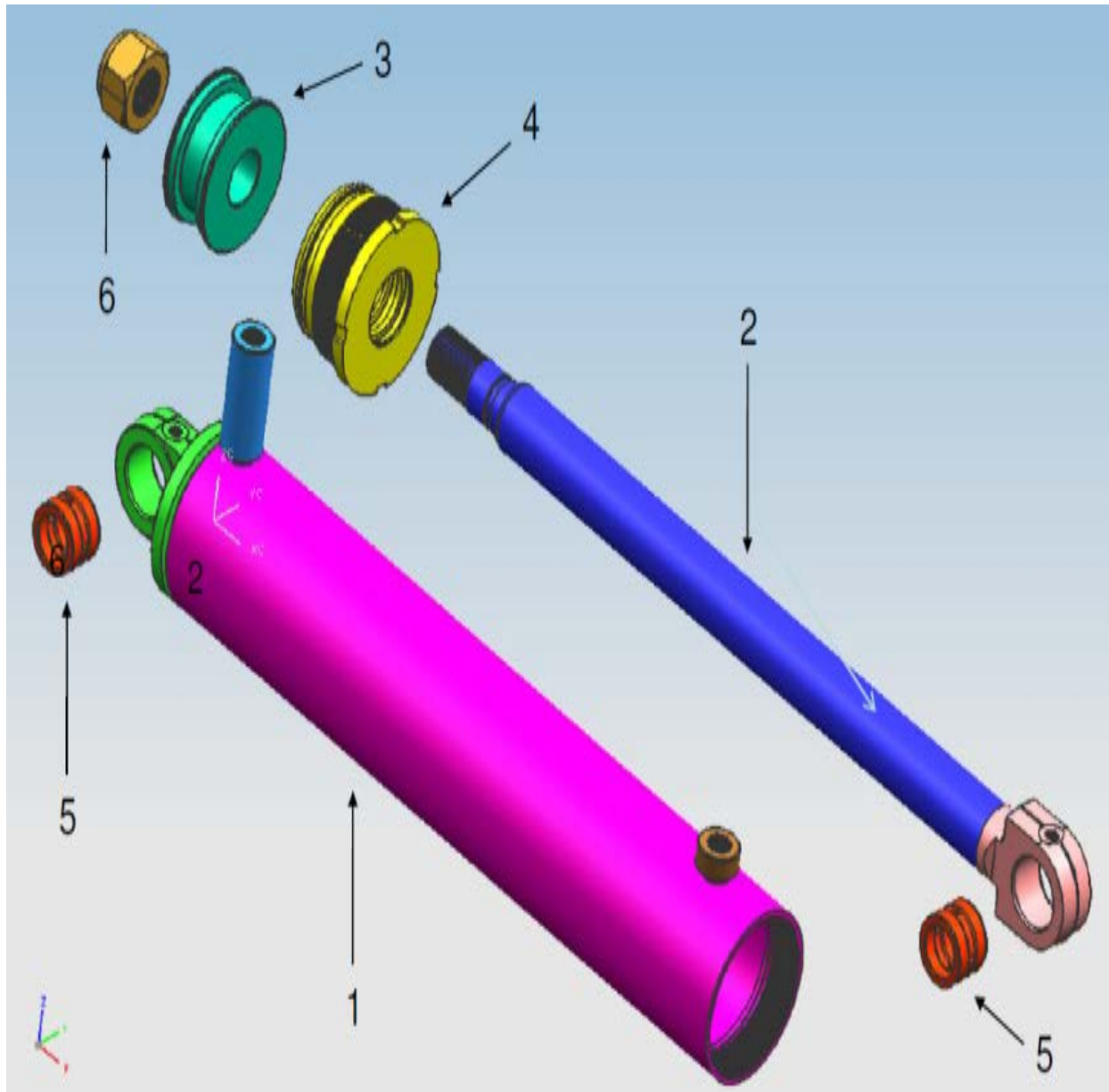
Luff Cylinder-Sundaram_8V232747110



HYDRA-14-4P-2P

HYDRAULICS		Luff cylinder-Sundaram		
S No	Part No	Description	Qty	Remarks
	NS	Luff Cylinder Assembly	1	
1	NS	Tube Assembly	1	
2	NS	Piston Rod Assembly	1	
3	NS	Piston	1	
4	NS	Gland (H.E Cover)	1	
5	V23.27.471.1/02	Bush (Rod Eye)	1	
6	NS	Lock Nut	1	
7	NS	Stop Tube	1	
8	V23.27.471.1SKS	Spare Seal Kit	1	

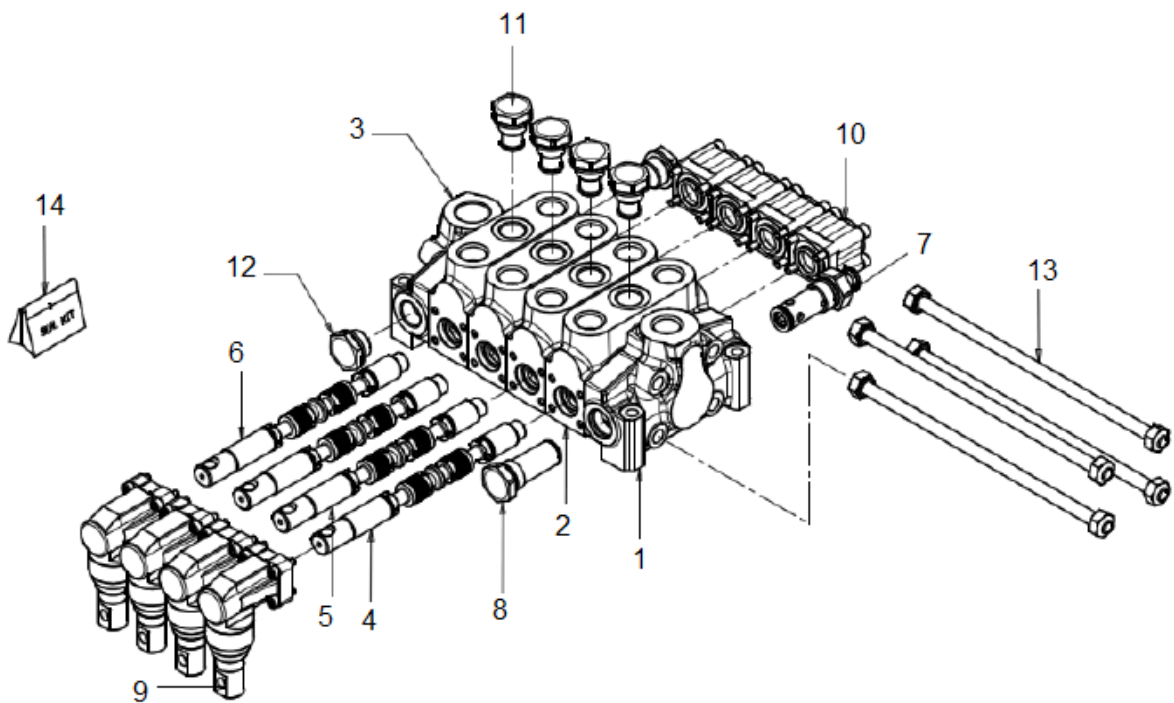
Steering Cylinder- Sundaram_8V233680100



HYDRA-14-4P-2P

HYDRAULICS		Steering cylinder-Sundaram		
S No	Part No	Description	Qty	Remarks
	NS	Steering Cylinder Assembly	1	
1	NS	Tube Assembly	1	
2	NS	Piston Rod Assembly	1	
3	NS	Piston	1	
4	NS	Gland (H.E Cover)	1	
5	V23.36.801.0/05	Bush (Rod Eye & Rear Clevis)	2	
6	NS	6 Lock Nut 1	1	
7	V23.36.801.SKS	Spare Seal Kit	1	

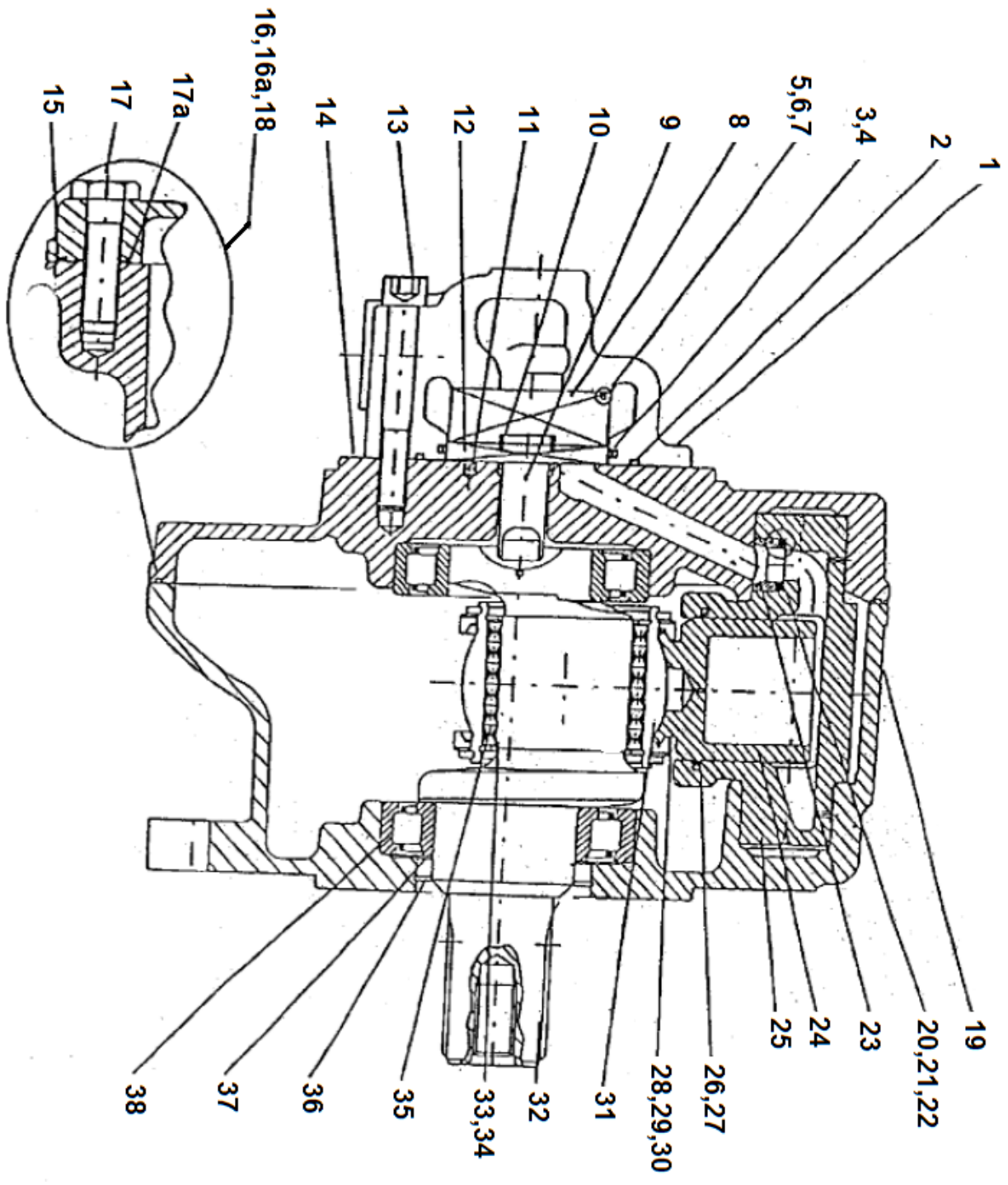
Control Valve-Hydro Control_7200063



HYDRA-14-4P-2P

HYDRAULICS		Control Valve –Hydro Control		
S No	Part No	Description	Qty	Remarks
1	NS	Inlet Body	1	
2	NS	HC-D4 body (parallel no port relief option)	4	
3	NS	Outlet Body	1	
4	NS	Cylinder Spool	2	
5	NS	Spool(A to T)	1	
6	NS	Motor Spool(A & B to T)	1	
7	7200063H-011	Kit MRV	1	
8	7200063H-010	MRV Plugged	1	
9	7200063H-004	Kit Protected Lever	4	
10	NS	Spool Return spring Kit (F001A)	2	
11	7200063H-003	Check valve	4	
12	7200063H-001	Plug Kit	2	
13	7200063H-002	Tie Rod Kit	4	
14	7200063H-SK	Complete Valve Seal Kit D4/04	1	

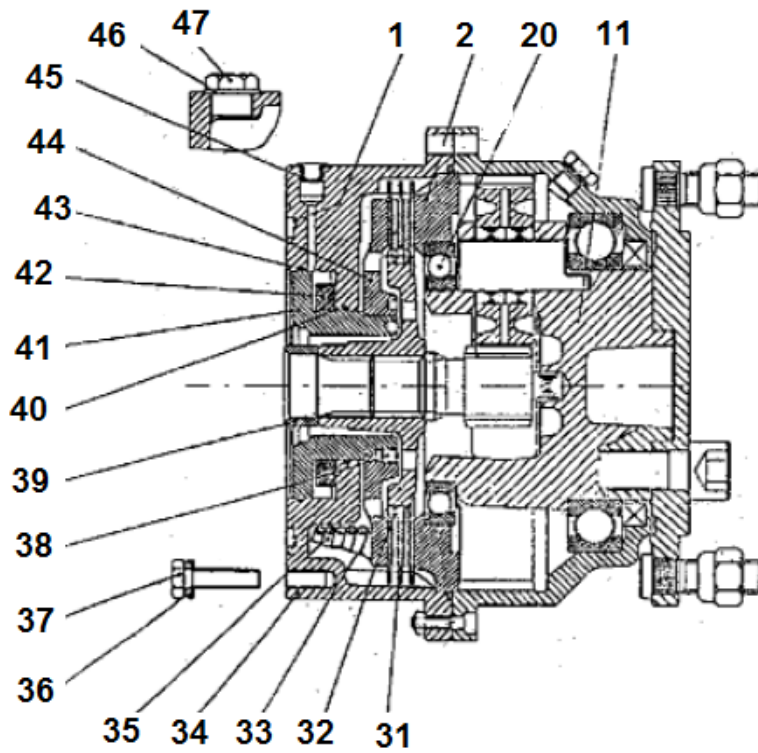
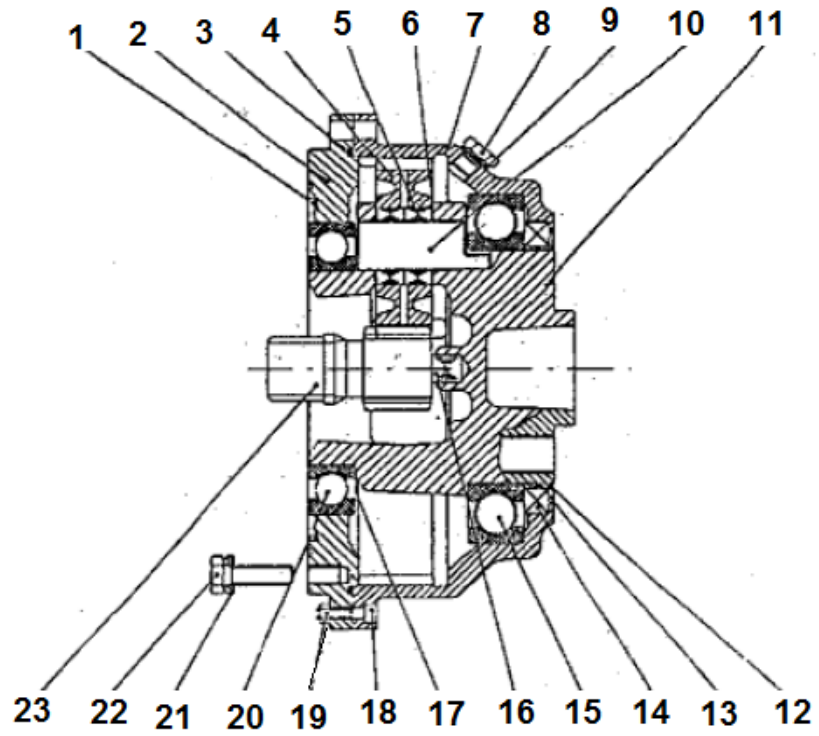
Winch-Hydro Motor_7202064



HYDRA-14-4P-2P

HYDRAULICS		Winch –Hydro Motor		
S No	Part No	Description	Qty	Remarks
19	7202064-043	Motor Body	1	
14	7202064-059	Motor Cover	1	
28 to 35	7202064-035	Crank Shaft Assembly	1	
24 to 27	7202064-042	Cylinder Piston Assembly	5	
38	7202064-011	Ball bearing	2	
37	7202064-009	Shaft seal	1	
36	7202064-008	Shaft seal circlip	1	
15	7202064-019	Body cover o ring	1	
17	7202064-031	Main bolts	5	
17a	7202064-020	Bolt hole o ring	5	
	7202064-058	Trunnion seal		
22		a) Steel ring	5	
21		b) Seal plastic	5	
20		c) O ring for seal	5	
23		d) Steel seal	5	
18	7202064-028	Locating pin	2	
1	7202064-041	Distributor cover D51A	1	
2	7202064-017	Dist face o ring	1	
4	7202064-016	O' ring for I.D	1	
3	7202064-033	Seal plastic	1	
5	7202064-038	Rotary valve AE Ring	1	
6	7202064-034	Rotary valve slipper	1	
7	7202064-021	Rotary valve o ring	1	
8	7202064-040	Rotary valve	1	
9	7202064-036	Drive Pin DP1	1	
10	7202064-037	Locating bush	1	
11	7202064-028	Locating Pin	2	
12	7202064-039	Bronze Disc	1	
	7202064-060	Over Centre Valve 120 LPM	1	

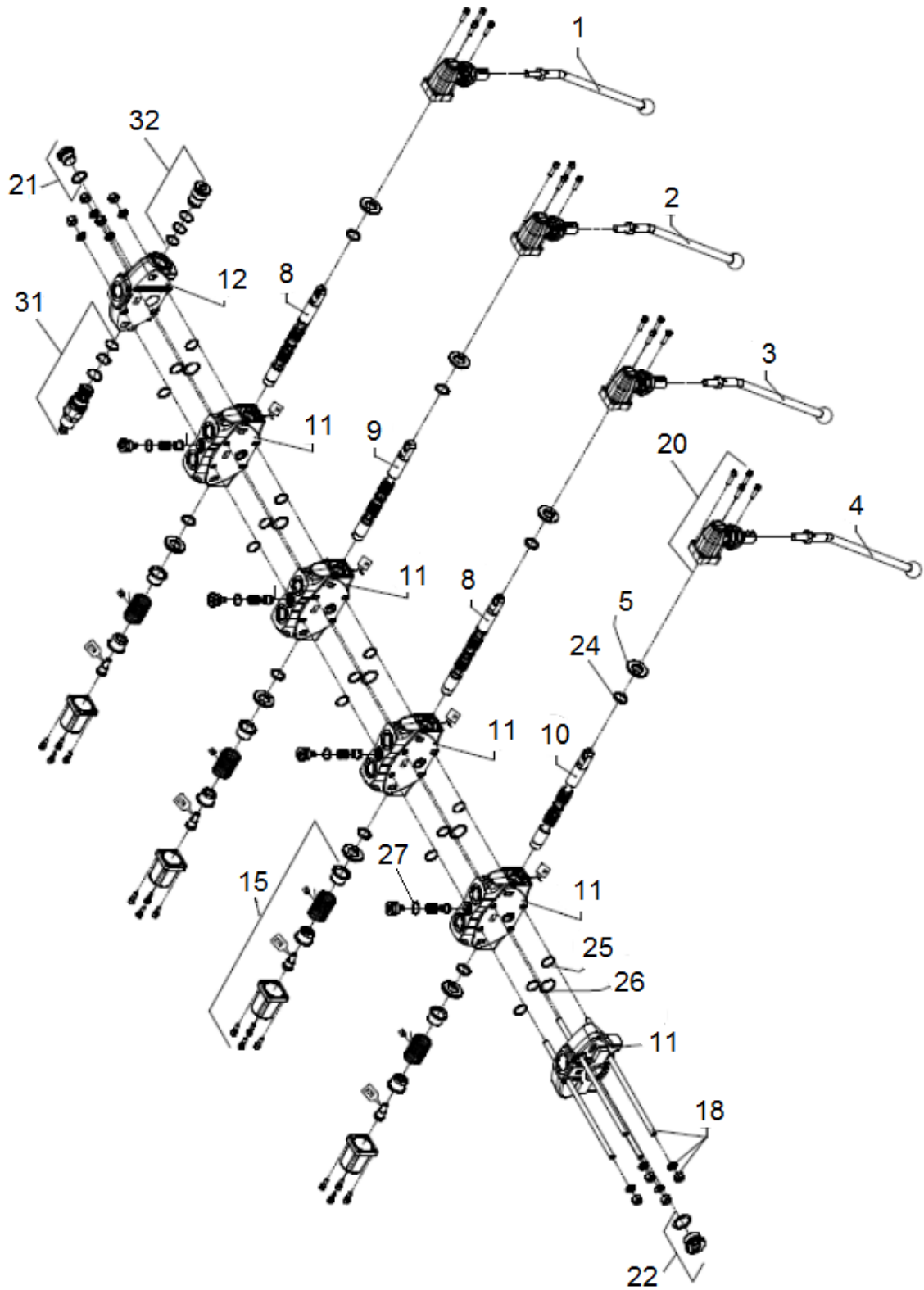
Winch-Gear Box_7202064



HYDRA-14-4P-2P

HYDRAULICS		Winch –Gear Box		
S No	Part No	Description	Qty	Remarks
1	7202064-003	O Ring n2.62 OD, n171.12 ID	1	
2	7202064-056	Disc support flange	1	
3	7202064-018	O Ring n3.53 OD,n221.84 ID	1	
4	7202064-057	Planetary Gear	3	
5	7202064-026	Roller	84	
6	7202064-022	Slip Washer	6	
7	7202064-044	G/B Housing	1	
8	7202064-005	1/4" Oil Plug 4	8	
9	7202064-023	Bonded Sea	4	
10	7202064-045	Gear Pin	3	
11	7202064-047	Output Shaft	1	
12	7202064-046	Slip Ring	1	
13	7202064-015	O ring n1.78 OD,n120.37 ID	1	
14	7202064-010	Shaft Seal n125Xn150x12	1	
15	7202064-013	Ball Bearing	1	
16	7202064-027	Roller	1	
17	7202064-024	Spacer washer	1	
18	7202064-029	Socket Bolt	2	
19	7202064-014	Nut	2	
20	7202064-012	Ball Bearing	1	
23	7202064-006	Sun Gear	1	
31	7202064-050	Counter Disc	3	
32	7202064-049	Friction Disc	2	
33	7202064-007	Disc Support Gear	1	
34	7202064-052	Brake Housing	1	
35	7202064-053	Brake Spring	15	
36	7202064-025	Washer	5	
37	7202064-030	H.H bolt	5	
38	7202064-032	Grub Screw	1	
39	7202064-051	Spacer Bushing	1	
40	7202064-001	O ring n2.62 OD,n82.22 ID	1	
41	7202064-048	Piston	1	
42	7202064-055	Spacer Ring	1	
43	7202064-002	O Ring n2.62 OD,n120.32 ID	1	
44	7202064-054	Spring Disc	1	
45	7202064-004	Plug	1	

Control Valve-Walvoil_7200063

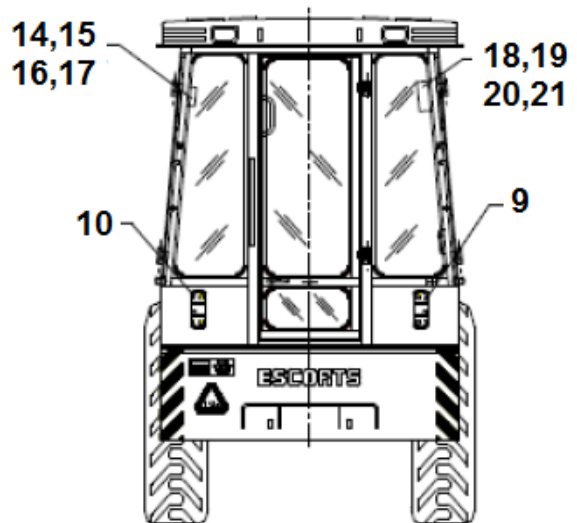
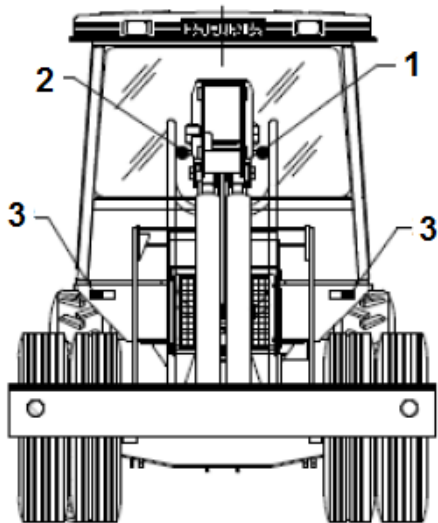
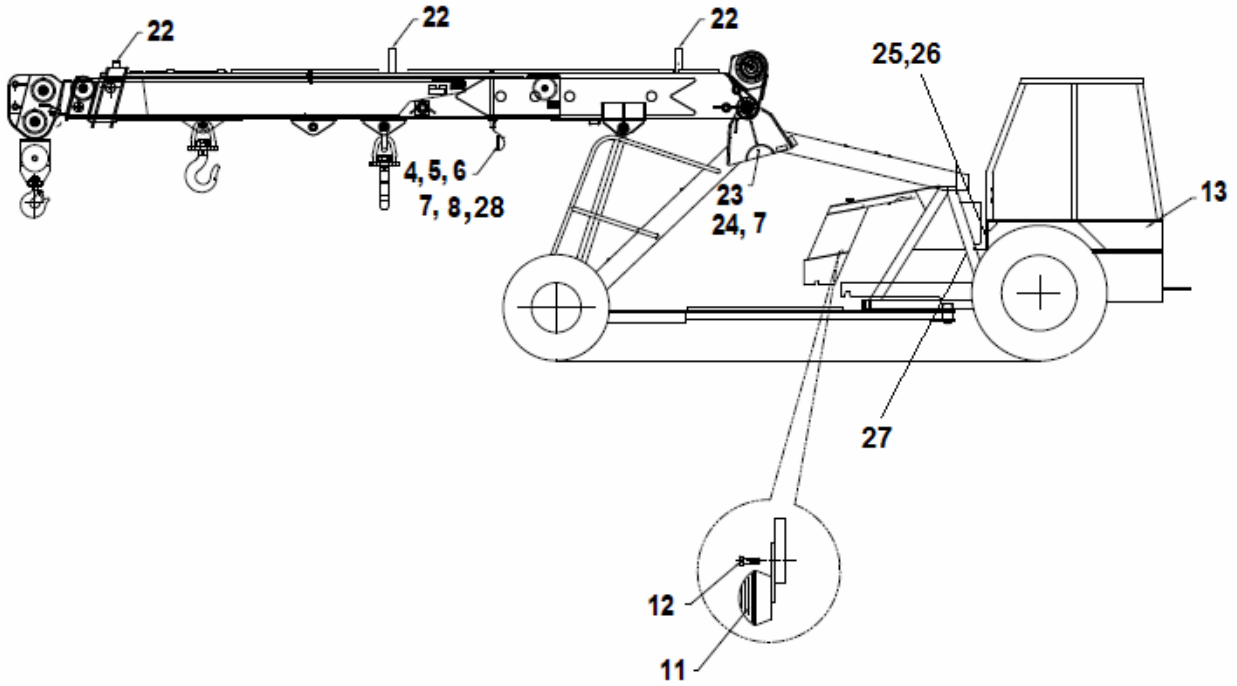


HYDRA-14-4P-2P

HYDRAULICS		Control Valve-Walvoil		
S No	Part No	Description	Qty	Remarks
1	7200063W-001	KIT LEVER 1E ASSY	1	
2	7200063W-002	KIT LEVER 2E ASSY	1	
3	7200063W-003	KIT LEVER 3E ASSY	1	
4	7200063W-004	KIT LEVER 4E ASSY	1	
5	NS	BRASS SPACER	8	
6	NS	CONTROL KIT BUSH	8	
7	NS	CAPPELOT	4	
8	NS	SPOOL	2	
9	NS	SPOOL	1	
10	NS	SPOOL	1	
11	NS	ELEMENT SD8/Q-BSP	4	
12	NS	BSP INLET COVER	1	
13	NS	BSP OUTLET COVER	1	
14	NS	SPRING VR10	4	
15	NS	CONTROL KIT SPRING TYPE "B"	4	
16	NS	POPPET VR-10	4	
17	7200063W-017	PLUG VR-10	4	
18	NS	TIE ROD	4	
19	7200063W-019	SCREW	4	
20	7200063W-020	LEVER KIT	4	
21	7200063W-021	BSP 1/2 PLUG	1	
22	7200063W-022	BSP 3/4 PLUG	1	
23	NS	NUT	8	
24	NS	Parker	8	
25	NS	O-RING	15	
26	NS	O-RING SEAL	5	
27	NS	NBR 90 SH	4	
28	NS	SPRING WASHER	8	
29	NS	SCREW END CAP SIDE	16	
30	NS	LEVER SIDE SCREW	16	
31	7200063W-031	Valve	1	
32	7200063W-032	PLUG	1	
33	19-B-4-064KT	SEAL KIT	1	

ELECTRICAL

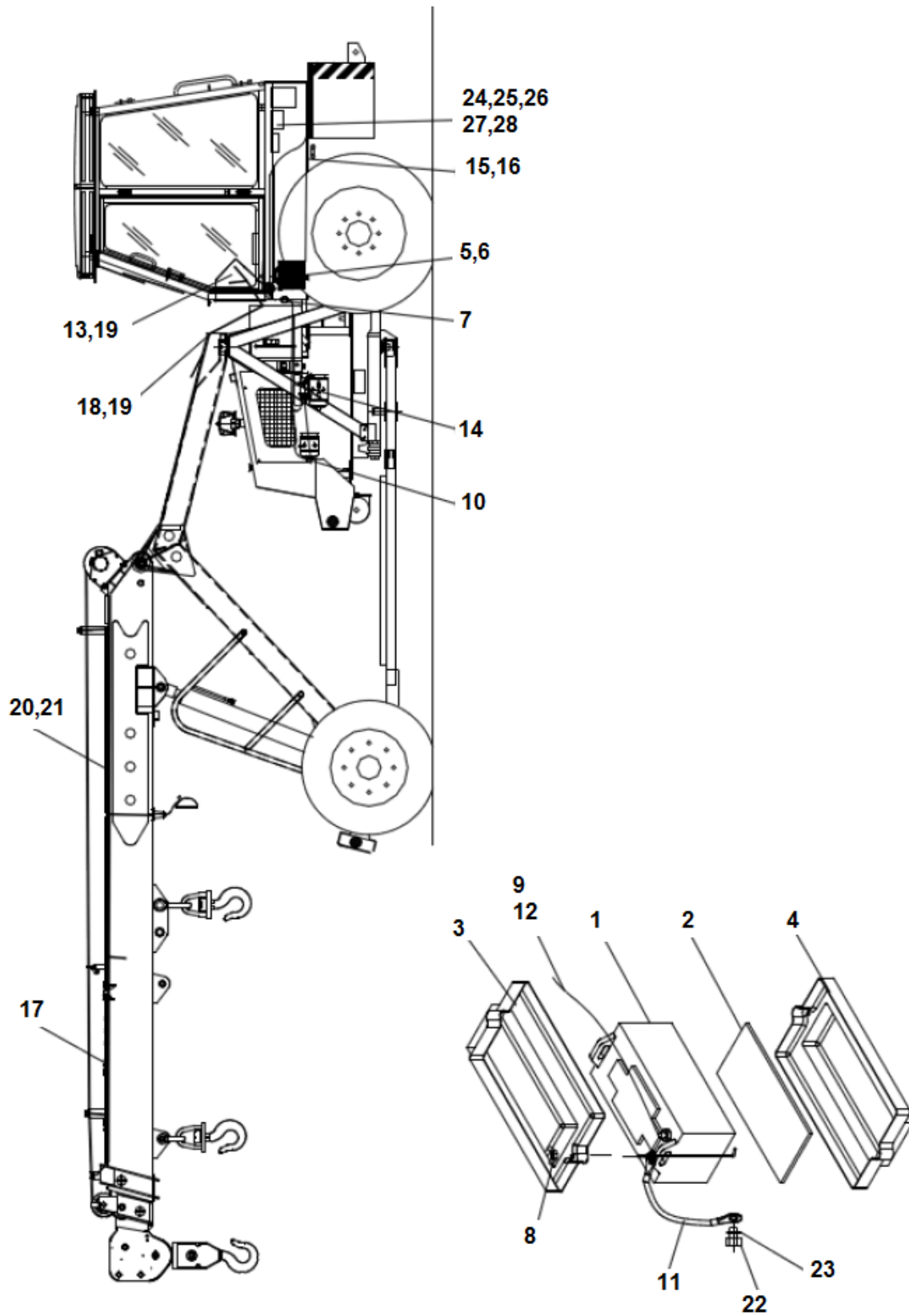
Electrical Assy_7200242



HYDRA-14-4P-2P

ELECTRICAL		Electrical Assy		
S No	Part No	Description	Qty	Remarks
1	9100676	HEAD LAMP ASSY. L.H.	1	
2	9100677	HEAD LAMP ASSY. R.H.	1	
3	8V194306600	SIDE INDICATOR LAMP ASSY.	2	
4	8V051717000	SPOT LIGHT	1	
5	8V0526220B0	SPOT LIGHT BRACKET	1	
6	9100228	HEXAGON HEAD BOLT	1	
7	9100044	SPRING LOCK WASHER	7	
8	9100041	PREVAILING TORQUE TYPE NUT	1	
9	8PP11761000	TAIL LAMP 3 CHAMBER RH	1	
10	8PP11848000	TAIL LAMP 3 CHAMBER LH	1	
11	8V194307500	HORN	1	
12	9100107	HEXAGON HEAD BOLT	1	
13	7202227	REVERSE BUZZER	1	
14	8 V194310300	CABIN LIGHT	1	
15	9100134	HEXAGON HEAD SCREW	2	
16	9100460	SPRING LOCK WASHER	2	
17	9100341	HEXAGON NUT	2	
18	847B1088000	FAN	1	
19	9100486	HEXAGON HEAD SCREW	2	
20	9100150	SPRING LOCK WASHER	2	
21	9100072	HEXAGON NUT	2	
22	8PP11048000	INDICATING LAMP RED	3	
23	7200159	HEAD LAMP ASSEMBLY	1	
24	9100269	HEXAGON HEAD SCREW	4	
25	7203459	REVERSE PIN	1	
26	V181701700	REVERSE SWITCH	1	
27	8V160002000	TEMPERATURE SENSOR	1	
28	8V2164105130	LIGHT MTG BKT	1	

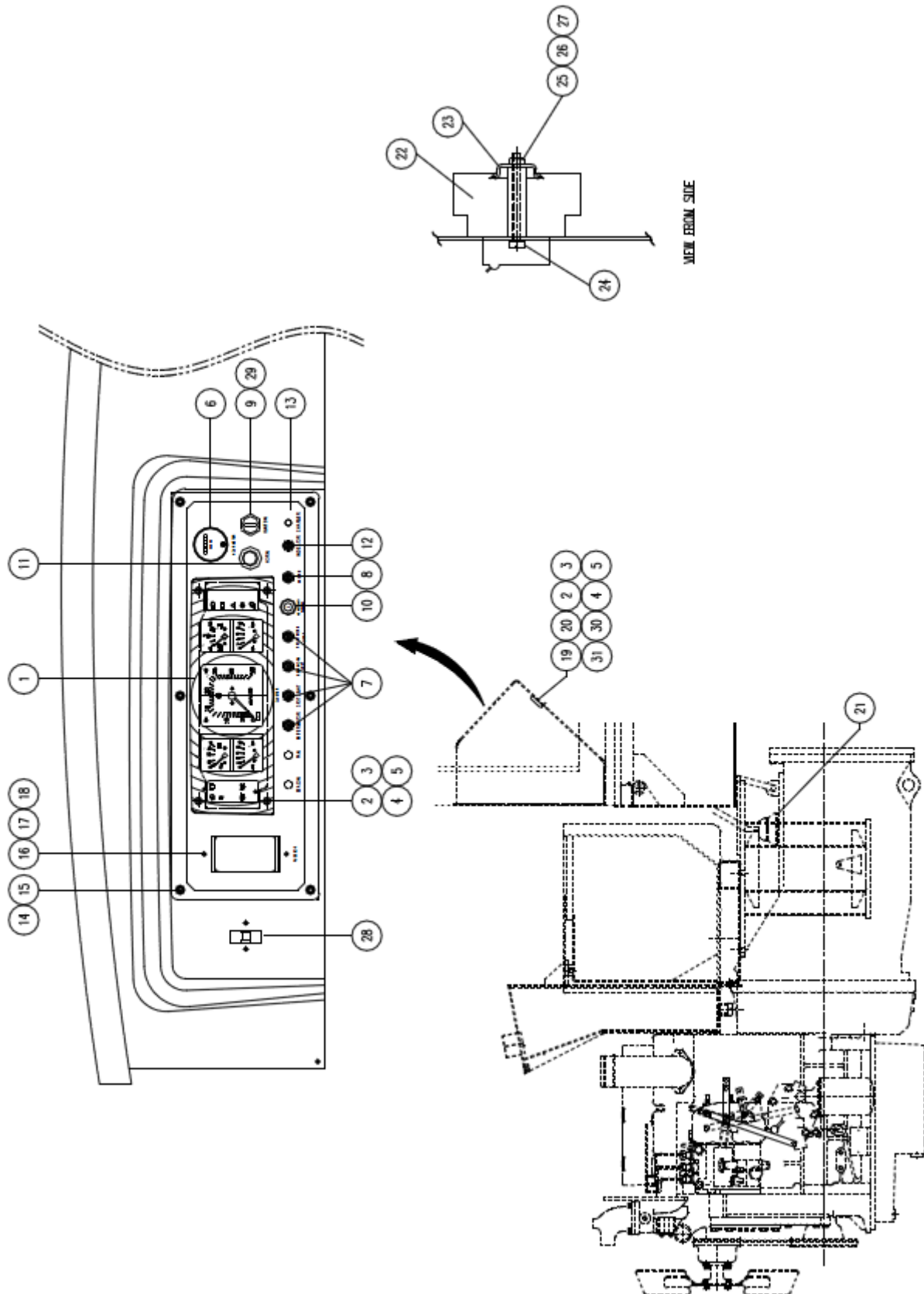
Battery and Wiring Harness__7201975



HYDRA-14-4P-2P

ELECTRICAL		Battery & Wiring Harness		
S No	Part No	Description	Qty	Remarks
1	8V194387500	BATTERY 12V	1	
2	8V194310400	RUBBER PAD	1	
3	8V194308100	BATTERY COVER TOP	1	
4	8V194308000	BATTERY COVER BOTTOM (PART OF BASE FRAME)	1	
5	9100166	HEXAGON HEAD SCREW-IS 1364 - M8X25-8.8	1	
6	9100068	HEXAGON NUT-IS 1364(PART 3)/ISO 4032- M8-8	1	
7	8D813348000	GROMMET (TP 01382)	4	
8	8T104100200	CLAMP WITH NUT	2	
9	8V194395000	CAP SELF STARTER	1	
10	8T011300350	CAP FOR ALTERNATOR	3	
11	V194302900	CABLE -VE TO FRAME	1	
12	8V194302810	BATTERY CABLE	1	
13	7201972	W/H DASHBOARD	1	
14	819C5008B00	W/H ENGINE	1	
15	7202228	W/H CHASSIS LH	1	
16	7203223	W/H CHASSIS RH	1	
17	C7204035	W/H BOOM	1	
18	819C5013A00	W/H OVER LOAD SW	1	
19	8P051151000	PVC TAPE (3/4" [IN ROLL])	1	
20	8F004731100	CABLE BINDING TIE 200 MM	30	
21	8F004716400	CABLE BINDING TIE 300 MM	15	
22	9100052	HEXAGON HEAD SCREW-IS 1364 - M8X20-8.8	1	
23	9100046	SPRING LOCK WASHER A8- IS:3063	1	
24	8D921036000	CLAMP	1	
25	9100486	HEXAGON HEAD SCREW-IS 1364- M6X20	4	
26	9100150	SPRING LOCK WASHER M6	4	
27	9100073	PLAIN WASHER M6	4	
28	9100072	NUT M6	8	

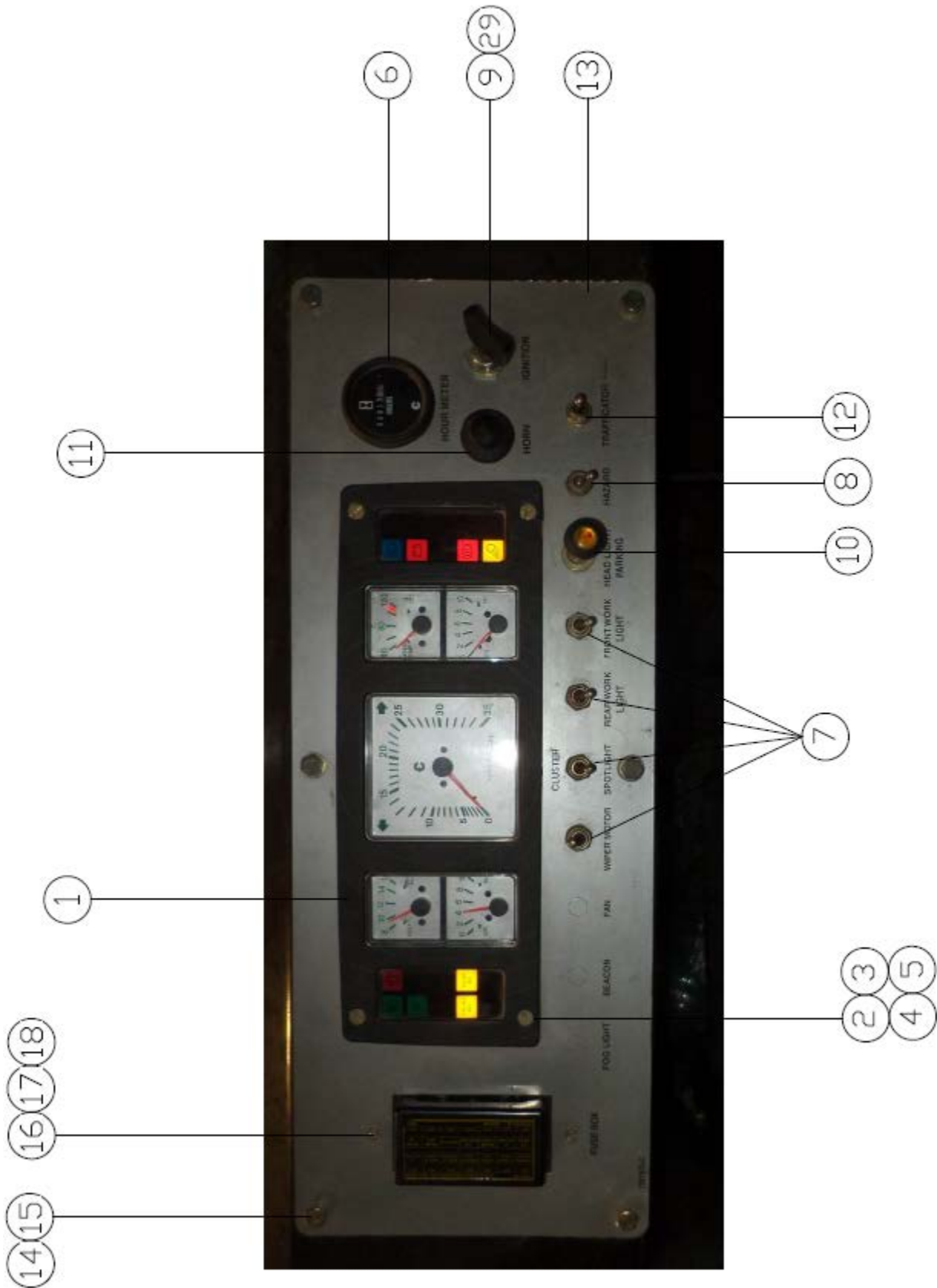
Dashboard Assy_7101971 Sheet-1



HYDRA-14-4P-2P

		Dashboard Assy		
S No	Part No	Description	Qty	Remarks
1	19C5004	CLUSTER	1	
2	9100486	HEXAGON HEAD SCREW-IS 1364 M6X20	10	
3	9100150	SPRING LOCK WASHER M6	10	
4	9100073	PLAIN WASHER M6	10	
5	9100072	NUT M6	10	
6	36B5005	HOUR METER	1	
7	V12430190	TOGGLE SWITCH (SPST) TS1010SPST	4	
8	8PP10284000	HAZARD SWITCH	1	
9	8T111703700	MAIN SWITCH WITH PARKING	1	
10	V19430350	HEAD LIGHT SWITCH	1	
11	8T021300080	SWITCH HORN	1	
12	V12430640	INDICATOR SWITCH (SPDT) TS10123	1	
13	7201970	DASHBOARD PLATE	1	
14	9100167	HEXAGON HEAD SCREW-IS 1364 - M8X16-8.8	6	
15	9100062	PUNCHED WASHER 9 A IS:2016-1967-STEEL M8	6	
16	V19430920	SPACER (F12 ODXF6 IDX35L IS:20621 Fe 410W `B')	2	
17	8N157202110	ROUND HEAD SCREW (M5X30)	2	
18	9100341	HEXAGON NUT-IS 1364(PART 3)/ISO 4032- M5-8	2	
19	V19430820	FLASHER	1	
20	46B5001	5 PIN RELAY	3	
21	19B5021	PARKING BRAKE SWITCH	1	
22	8PP10989000	MCB-25 AMPS	1	
23	7203230	RAIL(MCB MTG.) L=50MM,16 WAY	1	
24	9100455	CHEESE HEAD SCREW ISO 1207 - M5X70-8.8	2	
25	9100341	HEXAGON NUT-IS 1364(PART 3)/ISO 4032- M5-8	2	
26	9100460	SPRING LOCK WASHER A5- IS:3063	2	
27	9100077	PUNCHED WASHER 5.5 A IS:2016-1967-STEEL M5	2	
28	819C5032000	STICKER IGNITION & HEAD LIGHT	1	
29	819B5023000	MAIN SWITCH KEY	1	
30	819B5022000	O/H BUZZER	1	

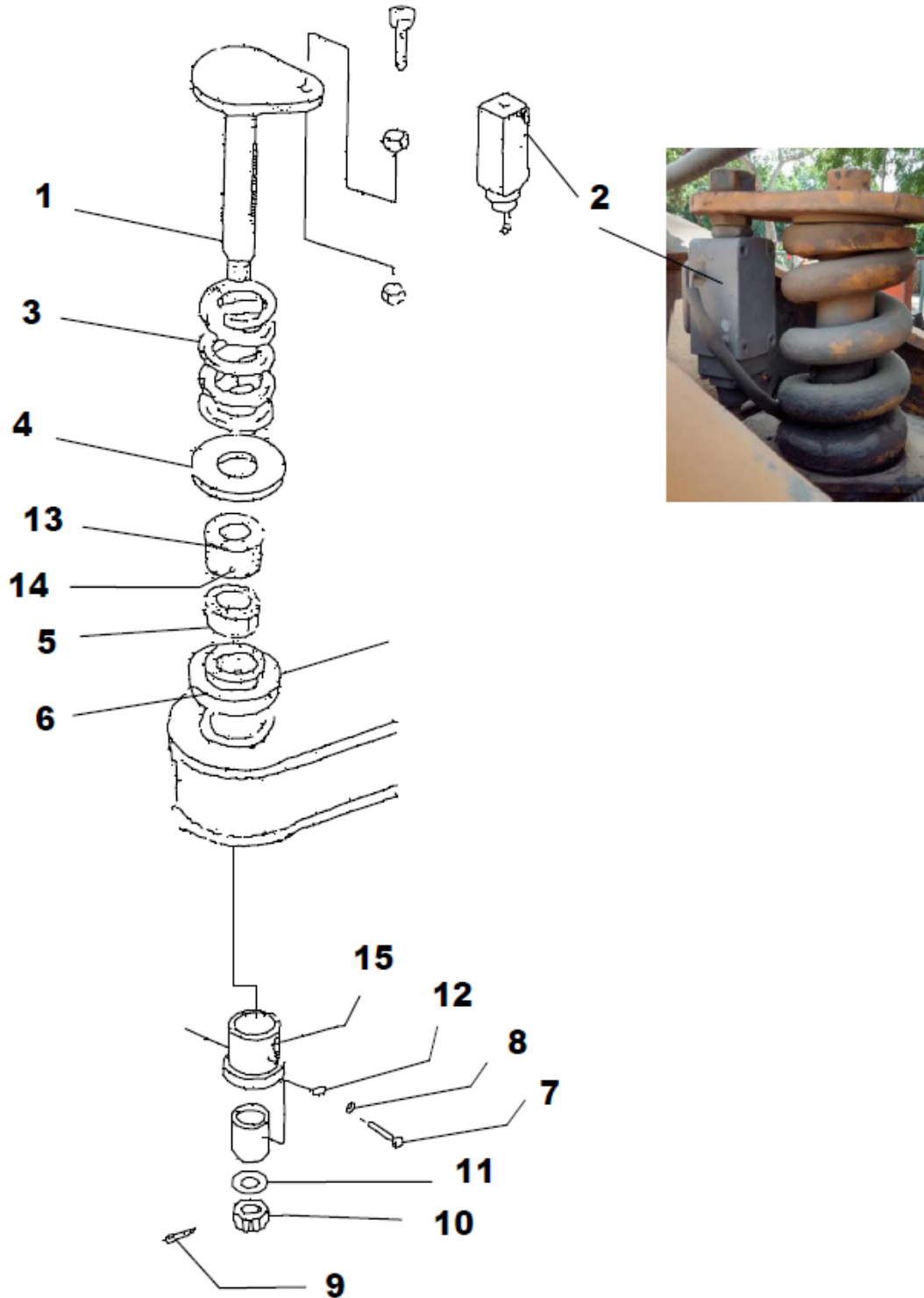
Dashboard Assy_7101971 Sheet-2



HYDRA-14-4P-2P

		Dashboard Assy		
S No	Part No	Description	Qty	Remarks
1	19C5004	CLUSTER	1	
2	9100486	HEXAGON HEAD SCREW-IS 1364 M6X20	10	
3	9100150	SPRING LOCK WASHER M6	10	
4	9100073	PLAIN WASHER M6	10	
5	9100072	NUT M6	10	
6	36B5005	HOUR METER	1	
7	V12430190	TOGGLE SWITCH (SPST) TS1010SPST	4	
8	8PP10284000	HAZARD SWITCH	1	
9	8T111703700	MAIN SWITCH WITH PARKING	1	
10	V19430350	HEAD LIGHT SWITCH	1	
11	8T021300080	SWITCH HORN	1	
12	V12430640	INDICATOR SWITCH (SPDT) TS10123	1	
13	7201970	DASHBOARD PLATE	1	
14	9100167	HEXAGON HEAD SCREW-IS 1364 - M8X16-8.8	6	
15	9100062	PUNCHED WASHER 9 A IS:2016-1967-STEEL M8	6	
16	V19430920	SPACER (F12 ODXF6 IDX35L IS:20621 Fe 410W `B')	2	
17	8N157202110	ROUND HEAD SCREW (M5X30)	2	
18	9100341	HEXAGON NUT-IS 1364(PART 3)/ISO 4032- M5-8	2	
19	V19430820	FLASHER	1	
20	46B5001	5 PIN RELAY	3	
21	19B5021	PARKING BRAKE SWITCH	1	
22	8PP10989000	MCB-25 AMPS	1	
23	7203230	RAIL(MCB MTG.) L=50MM,16 WAY	1	
24	9100455	CHEESE HEAD SCREW ISO 1207 - M5X70-8.8	2	
25	9100341	HEXAGON NUT-IS 1364(PART 3)/ISO 4032- M5-8	2	
26	9100460	SPRING LOCK WASHER A5- IS:3063	2	
27	9100077	PUNCHED WASHER 5.5 A IS:2016-1967-STEEL M5	2	
28	819C5032000	STICKER IGNITION & HEAD LIGHT	1	
29	819B5023000	MAIN SWITCH KEY	1	
30	819B5022000	O/H BUZZER	1	

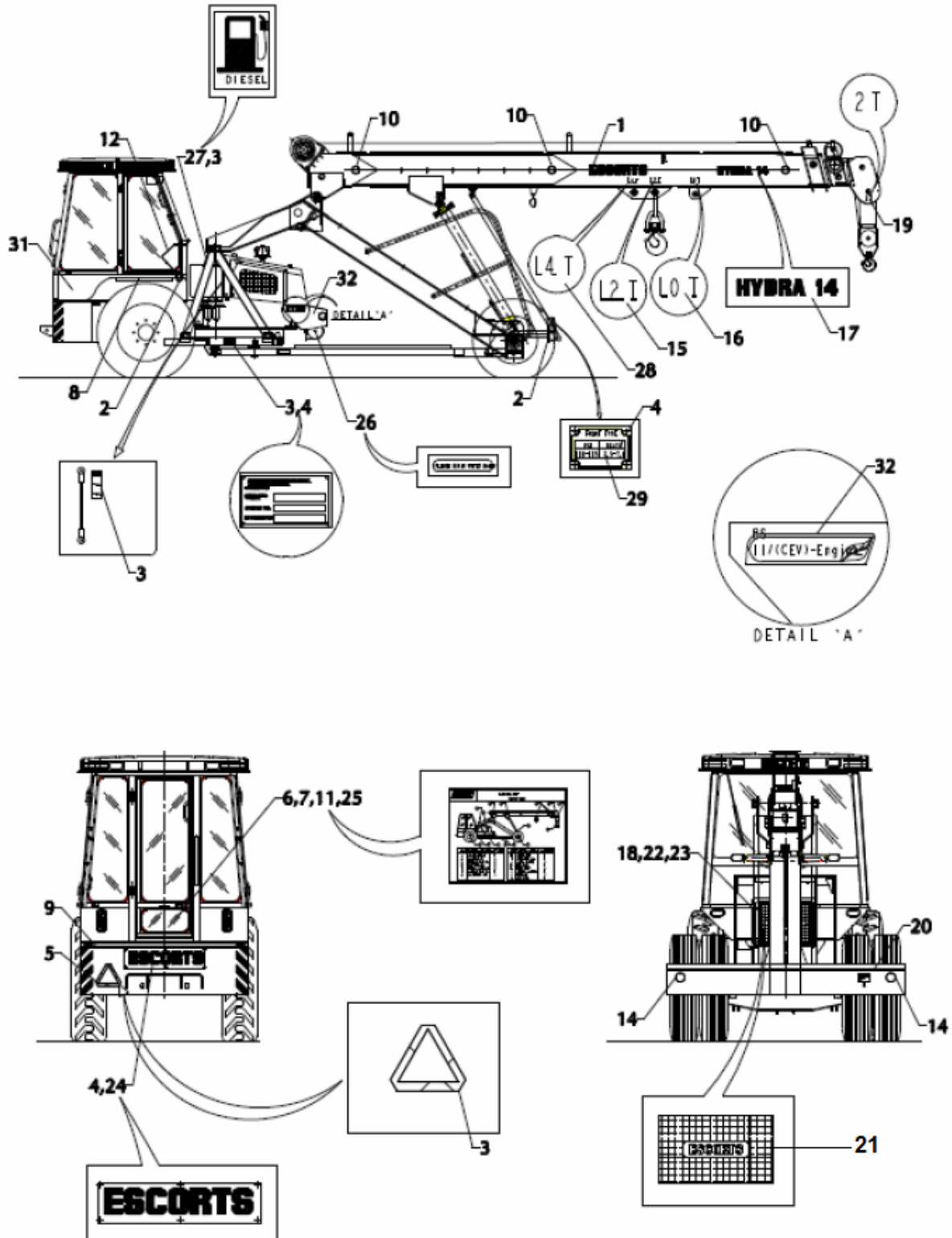
Over Load Warning System-7202087



HYDRA-14-4P-2P

ELECTRICAL		Over Load Warning System		
S No	Part No	Description	Qty	Remarks
1	V19528010	TIE BOLT	1	
2	C7204732	LIMIT SWITCH	1	
3	Y0552150	COMPRESSION SPRING	1	
4	8V232738600	WASHER	1	
5	8604180	BEARING	1	
6	8604060	BEARING WASHER	1	
7	8604080	KEY STUD	1	
8	9100040	PUNCHED WASHER	1	
9	9100174	SPLIT PIN	1	
10	8N154267500	SLOTTED NUT	1	
11	Y0526280	WASHER	1	
12	9100044	SPRING LOCK WASHER	1	
13	V23273850	BEARING CAP	1	
14	9100115	CONICAL HEAD GREASE NIPPLE	1	
15	7202088.A	PIVOT BUSH	1	

Decals & Reflectors

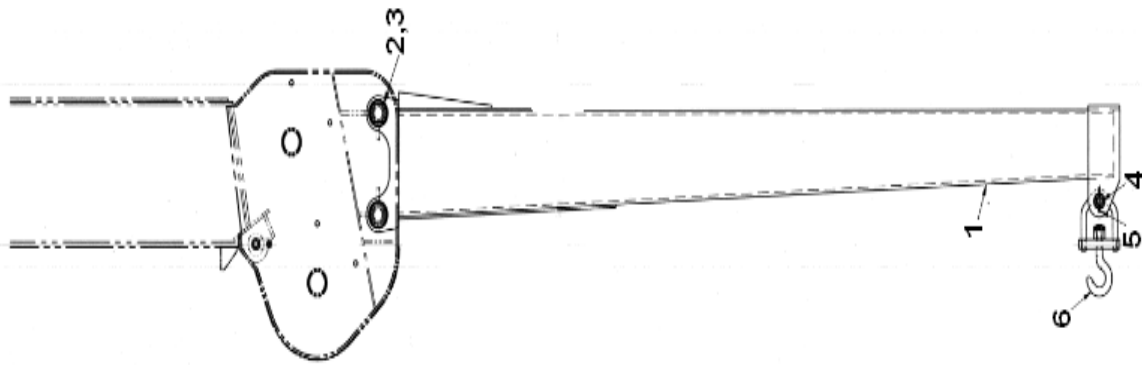


HYDRA-14-4P-2P

		Decals & Reflectors		
S No	Part No	Description	Qty	Remarks
1	7308191	ESCORTS STICKER (BOTH)	2	
2	819B5006000	REFLECTOR AMBER	6	
3	V19440060	STICKER HYD. FLUID	1	
4	8N155406000	SELF TAPPING RIVETS	14	
5	819C8005000	REFLECTOR	1	
6	8M105413000	DAILY STICKER	1	
7	8M105417600	STICKER "WARNING"	1	
8	823C1001000	STICKER "TYRE PRESSURE"	2	
9	8V181701500	REFLECTIVE TAPE RED	1.72M	
10	819B5006000	REFLECTOR AMBER	6	
11	8M105413100	CAUTION	1	
12	8V194602810	INSTRUCTION	1	
13	7400307	DATE PLATE	1	
14	819B5008000	REFLECTOR WHITE	2	
15	V19440440	STICKER 12T	2	
16	V19440430	STICKER 10T	2	
17	7204640	STICKER HYDRA 14	2	
18	8MNH06C2000	NUT HEX	4	
19	7204509	STICKER 1.2T (FOR HYDRA 14 4P)	2	
19	8V194403700	STICKER 3T (HYDRA-14-2P)	1	
20	822C3091	STICKER WARNING 'DO NOT STAND UNDER LOAD'	1	
21	819C113900	E-LOGO	1	
22	8MSH06C2040	HEX SCREW	4	
23	8MWP060000	PLAIN WASHER	4	
24	7603055	ESCORT STICKER	1	
25	824C6003000	STICKER "LUB CHART"	1	
26	824C6002000	STICKER "DRAIN WATER"	1	
27	V19440260	STICKER "DIESEL"	1	
28	824C6004000	STICKER 14T	2	
31	7201881	LOAD CHART PLATE(HYDRA-14-4P)	1	
31	7204125	LOAD CHART PLATE(HYDRA-14-2P)	1	
32	7203363	BHARAT-III STICKER	2	

OPTIONAL

Fly Jib Kit_7204421_Optional



HYDRA-14-4P-2P

OPTIONAL		FLY JIB KIT		
S No	Part No	Description	Qty	Remarks
1	26-F-3-015	FLY JIB FABRICATION	1	
2	26-M-3-042	PIN	2	
3	9100186	PREVAILING TORQUE TYPE NUT M30-IS7002-8-P	2	
4	V19-53-020-0	PIN	1	
5	9100303	SPLIT PIN 4X45 -1S:549	1	
6	7302894	HOOK ASSY-1T	1	

Sli Kit All Hook_7204360

HYDRA-14-4P-2P

OPTIONAL		SLI KIT ALL HOOK-4P		
S No	Part No	Description	Qty	Remarks
1	141-009-04	CABLE DRUM ASSY	1	
2	141-008-00	DISPLAY CUM CPU UNIT ASSY	1	
3	141-004-00	CABLE GUIDE ASSEMBLY	1 SET	
4	141-010-00	POWER SUPPLY/ TERMINATION UNIT	1	
5	533-402-00	ROUND CABLE SHIELDED 4 CORE	5 MTR	
6	533-402-00	ROUND CABLE SHIELDED 4 CORE	10+10 MTR	
7	533-403-00	ROUND CABLE SHIELDED 6 CORE	2.5 MTR	
8	533-410-00	ROUND CABLE SHIELDED 12 CORE	2.5 MTR	
9	141-006-00	PRESSURE TRANSDUCER	2 NOS	
10	235-001-00	ADOPTER FOR PRESSURE TRANSDUCER	2 NOS	
11	539-025-00	BANDED SEAL (DOWTY SEAL)	2 NOS	
12	502-204-00	TOGGLE SWITCH WITH 2 CORE WIRE SPST	1 NO	

Sli Kit Single Hook_7204361

HYDRA-14-4P-2P

OPTIONAL		SLI KIT SINGLE HOOK-4P		
S No	Part No	Description	Qty	Remarks
1	141-009-04	CABLE DRUM ASSY	1	
2	141-008-00	DISPLAY CUM CPU UNIT ASSY	1	
3	141-004-00	CABLE GUIDE ASSEMBLY	1 SET	
4	141-010-00	POWER SUPPLY/ TERMINATION UNIT	1	
5	533-402-00	ROUND CABLE SHIELDED 4 CORE	5 MTR	
6	533-402-00	ROUND CABLE SHIELDED 4 CORE	10+10 MTR	
7	533-403-00	ROUND CABLE SHIELDED 6 CORE	2.5 MTR	
8	533-410-00	ROUND CABLE SHIELDED 12 CORE	2.5 MTR	
9	502-204-00	TOGGLE SWITCH WITH 2 CORE WIRE SPST	1 NO	
10	161-011-04	LOAD DIRECTION AMLIFIER PCB ASSY	1 NO	
11	161-070-01	DYNMOMETER ASSY	1 NO	