



ESCORTS

ESCORTS CONSTRUCTION EQUIPMENT

F-15

PARTS CATALOGUE



Document No. : 73001

Issue No. : 03

Issued on : MAR'2019

IMPORTANT

Information Contained in this parts catalogue was correct upto the time of printing (Issue date of parts catalogue). Any changes after this date will only be included in the next upto date of parts catalogue.

Illustrations in this parts catalogue are pictorial representation of the component and are not drawn to scale.

USER'S COMMENT FORM

Should You, as user of this parts catalogue, have any suggestion for improving the parts catalogue, or you find any errors or omissions, then would like to know.

Please complete a facsimile of this form and hand it in to your nearest ESCORTS CONSTRUCTION EQUIPMENT Product Support Representative or post it directly to your nearest CONSTRUCTION EQUIPMENT branch.

YOUR COMMENTS, SUGGESTIONS OR QUERIES:

MACHINE MODEL:
DOCUMENT SERIAL NUMBER:
ISSUE NUMBER:
PAGE NUMBER:

NAME:
COMPANY:
TITLE:
ADDRESS:
CONTACT NUMBER:

Thank you for your cooperation.

Products Offered By Escorts Limited – Construction Equipment.











INDEX

<u>DESCRIPTION</u>	<u>PAGE NO.</u>
ENGINE	2-74
TRANSMISSION	76-150
STRUCTURE	152-238
BRAKES	240-256
HYDRAULICS	258-314
ELECTRICALS.....	316-404
DECALS	406-408
OPTIONAL.....	410-442
PARTS INDEX	443-468

TABLE OF CONTENTS

S NO.	DESCRIPTION	PAGE NO.
	ENGINE	
1	ENGINE & TRANSMISSION ASSY.	3-4
2	ENGINE ASSY.	5-6
3	ENGINE GEARBOX INSTT.	7-10
4	ROCKER COVER & BREATHER	11-12
5	CYLINDER HEAD	13-14
6	CYLINDER BLOCK	15-16
7	SERVICE CYLINDER BLOCK KIT	17-18
8	OIL PAN & FILLER GAUGE	19-20
9	PISTON CONNECTING ROD & CRANKSHAFT	21-22
10	CAMSHFT & VALVE	23-24
11	TIMING GEAR	25-26
12	FLYWHEEL & HOUSING	27-28
13	ATTACHING PART-ENGINE LIFTING	29-30
14	AIR COMPRESSOR MTG. & ATTACHING PART	31-34
15	ALTERNATOR MOUNTING & ATTACHING PARTS	35-36
16	ALTERNATOR VACUUM PUMP - ATTACHING PARTS	37-38
17	PERIPHERAL ATTACHING PARTS	39-40
18	SINGLE CYLINDER COMPRESSOR (NLC)	41-44
19	OIL PUMP & STRAINER	45-46
20	OIL FILTER	47-48
21	OIL COOLER	49-50
22	FUEL INJECTION PUMP	51-52
23	NOZZLE & HP PIPES	53-54
24	PLUMBING FUEL	55-56
25	FUEL FILTER	57-58
26	WATER SEPARATOR	59-60
27	WATER PUMP & COOLING FAN	61-62
28	THERMOSTAT	63-64
29	INLET MANIFOLD	65-66
30	EXHAUST MANIFOLD	67-68
31	TURBOCHARGER	69-70
32	EGR SYSTEM	71-72
33	ELECTRICAL	73-74
	TRANSMISSION	
34	CLUTCH (VE)	77-78
35	CLUTCH CHILD PARTS	79-80

TABLE OF CONTENTS

S NO.	DESCRIPTION	PAGE NO.
36	CLUTCH HOUSING	81-82
37	TRANSMISSION ASSEMBLY (VE)	83-84
38	TRANSMISSION CASE	85-86
39	TRANSMISSION GEAR	87-90
40	TRANSMISSION GEAR SHAFT CONTROL LOWER	91-92
41	TRANSMISSION GEAR INSTALL UPPER	93-94
42	AGB INSTALLATION	95-96
43	AUX GEAR BOX ASSY-2WD	97-100
44	AUX GEAR BOX ASSY-4WD	101-104
45	AGB-TGT	105-108
46	FRONT DRIVELINE INSTALLATION	109-110
47	REAR DRIVELINE INSTALLATION	111-112
48	FRONT AXLE HUB-2WD	113-114
49	FRONT AXLE INSTALLATION - 2WD	115-116
50	FRONT AXLE INSTALLATION - 4WD	117-118
51	REAR AXLE INSTALLATION	119-120
52	REAR AXLE HOUSING - VE	121-122
53	REAR AXLE DIFFERENTIAL	123-126
54	REAR AXLE HUB & DRUM	127-128
55	REAR AXLE	129-130
56	FRONT AXLE	131-132
57	CARRIER DIFFERENTIAL ASSY	133-136
59	BRAKE ASSEMBLY	137-138
60	AUTO SLACK ADJUSTER	139-140
61	BRAKE ASSY RR LH	141-142
62	BRAKE ASSY RR RH	143-144
63	SPRING BRAKE ACTUATOR	145-146
64	REAR WHEEL END	147-150
	STRUCTURE	
65	CHESSIS ASSY	153-154
66	COUNTER WEIGHT ASSY-2WD-4WD	155-160
67	BONNET INSTALATION	161-162
68	R.F & BONNET ASSY	163-164
69	BOOM ASSY COMPLETE-3P	165-168
70	BOOM ASSY COMPLETE-4P	169-172
71	MAIN BOOM ASYY	173-174
72	FIRST BOOM ASSY	175-176
73	SECOND BOOM ASSY – 3P	177-178
74	SECOND BOOM ASSY – 4P	179-180

TABLE OF CONTENTS

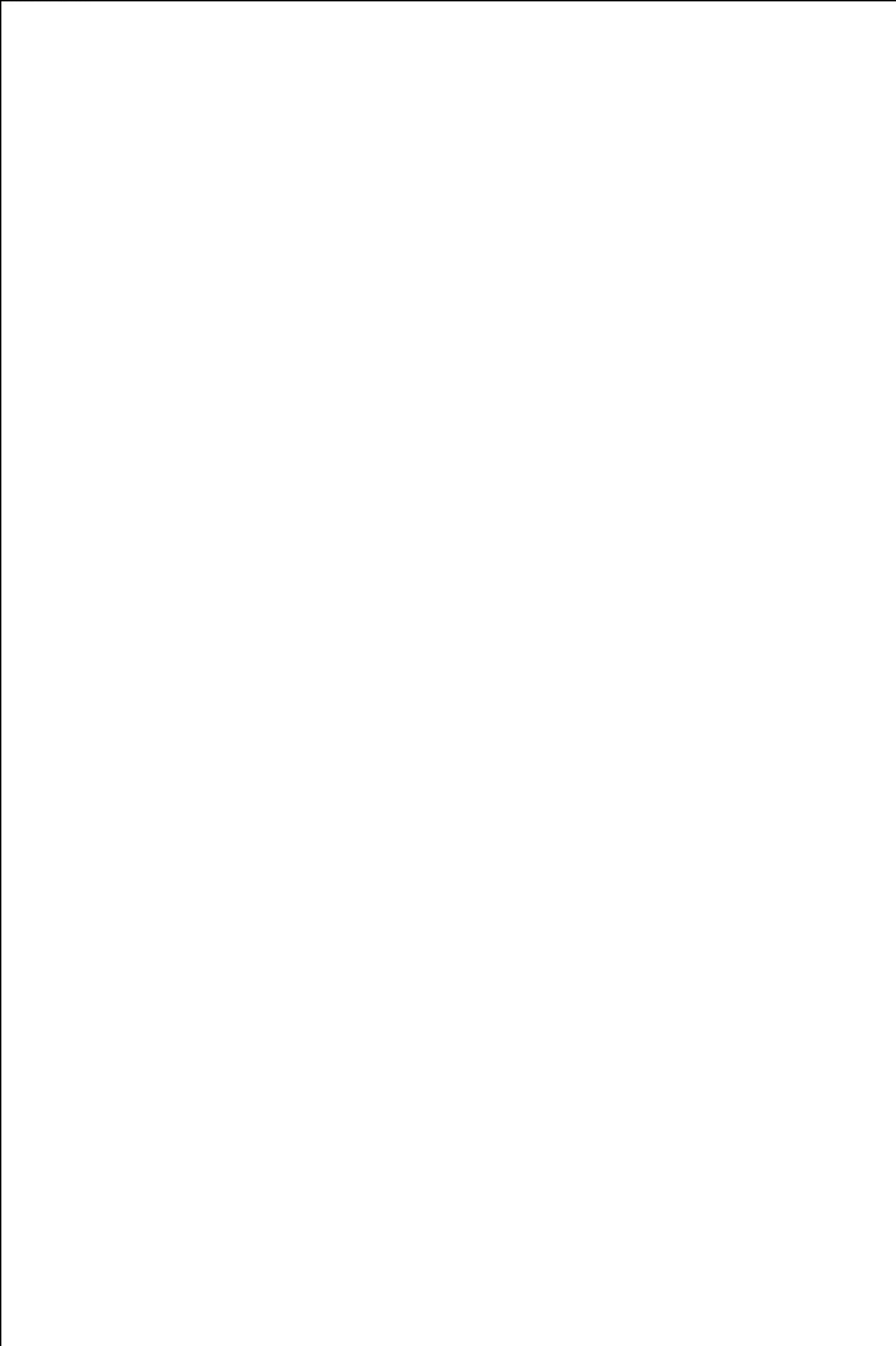
S NO.	DESCRIPTION	PAGE NO.
75	MANUAL BOOM ASSY	181-182
76	BODY JOINING ASSY	183-184
77	FLY JIB INSTALLATION	185-186
78	FUEL TANK ASSY	187-188
79	HYDRAULIC TANK ASSY	189-192
80	AIR INTAKE SYSTEM	193-194
81	AIR CLEANER	195-196
82	SNATCH BLOCK ASSY – 4FALLS	197-198
83	SNATCH BLOCK ASSY– 6FALLS	199-200
84	FRONT COVERS ASSY	201-202
85	COVER ASSY REAR BODY	203-204
86	OUTRIGGER MTG ARGMT	205-206
87	OUTRIGGER INSTALLATION	207-208
88	TYRE ASSY	209-210
89	EXHAUST SYSTEM	211-214
90	COOLING SYSTEM	215-222
91	CLUTCH ARGMT	223-224
92	CABIN FITTING KIT	225-226
93	GEAR SHIFTING ARRANGEMENT (VECV)	227-228
94	CABIN INSTALLATION ASSY	229-230
95	CABIN ASSY	231-234
96	FRONT PUMP INST.	235-236
97	ORBITROL ASSY	237-238
	BRAKES	
98	REAR WHEEL - "S" CAM BRAKE	241-244
99	BRAKE ACTUATOR AND BRAKE SLACK ADJUSTER	245-246
100	FRONT WHEEL BRAKE ASSY – 2WD	247-250
101	PNEUMATIC CIRCUIT – 4WD	251-252
102	PNEUMATIC CIRCUIT – 2WD	253-256
	HYDRAULICS	
103	LIFT CYLINDER INSTALLATION	259-260
104	LUFF CYLINDER	261-262
105	EXTENSION CYLINDER INSTALLATION ASSY	263-264
106	EXTENSION CYLINDER	265-266
107	STEERING CYLINDER INSTALLATION	267-268
108	STEERING CYLINDER	269-270
109	OUTRIGGER CYLINDER	271-274
110	HYD. HOSE KIT ASSY	275-282
111	WINCH- HYDRO MOTOR	283-284
112	WINCH-GEAR BOX	285-286

TABLE OF CONTENTS

S NO.	DESCRIPTION	PAGE NO.
113	GEARBOX (PART LIST)	287-288
114	BRAKE (PART LIST)	289-290
115	WINCH DISTRIBUTOR ASSY	291-292
116	HYDRAULIC MOTOR	293-294
117	WINCH ASSY DRAGGING (SAI WINCH)	295-296
118	WINCH DRAGGING ASSY (DINAMIC WINCH)	297-298
119	VALVE BANK ASSY	299-300
120	CONTROL VALVE-3 SPOOL	301-302
121	CONTROL VALVE-6 SPOOL	303-304
122	ORBITROL ASSY	305-306
123	STEERING UNIT	307-310
124	HYDRAULIC PUMP	311-312
125	PRIORITY VAVE ASSY	313-314
	ELECTRICAL	
126	BATTERY & WIRING HARNESS ASSY (4WD)	317-318
127	ELECTRICAL ASSY	319-320
129	DASHBOARD ASSY (2WD)	321-322
130	BATTERY & WIRING HARNESS ASSY(2WD)	323-326
131	BATTERY & WIRING HARNESS ASSY(4WD)	327-328
132	BATTERY & WIRING HARNESS ASSY(2WD)	329-332
133	ELECTRICAL ASSY (4WD/2WD)	333-334
134	ELECTRICAL ASSY (4WD/2WD)	335-336
135	BATTERY & WIRING HARNESS ASSY(4WD)	337-340
136	BATTERY & WIRING HARNESS ASSY(2WD)	341-344
137	BATTERY & WIRING HARNESS ASSY(4WD)	345-348
138	BATTERY & WIRING HARNESS ASSY(2WD)	349-352
139	DASHBOARD ASSY (4WD)	353-354
140	BATTERY & WIRING HARNESS ASSY(4WD)	355-358
141	BATTERY & WIRING HARNESS ASSY(2WD)	359-362
142	DASHBOARD ASSY (2WD)	363-364
143	DASHBOARD ASSY (4WD)	365-366
144	BATTERY & WIRING HARNESS ASSY(4WD)	367-368
145	DASHBOARD ASSY (4WD)	369-370
146	BATTERY & WIRING HARNESS ASSY(4WD)	371-372
147	ELECTRICAL ASSY (4WD/2WD)	373-376
148	DASHBOARD ASSY (2WD)	377-378
149	BATTERY & WIRING HARNESS ASSY(2WD)	379-382
150	DASHBOARD ASSY (2WD)	383-384
151	BATTERY & WIRING HARNESS ASSY(2WD)	385-388
152	BATTERY & WIRING HARNESS ASSY(4WD)	389-390

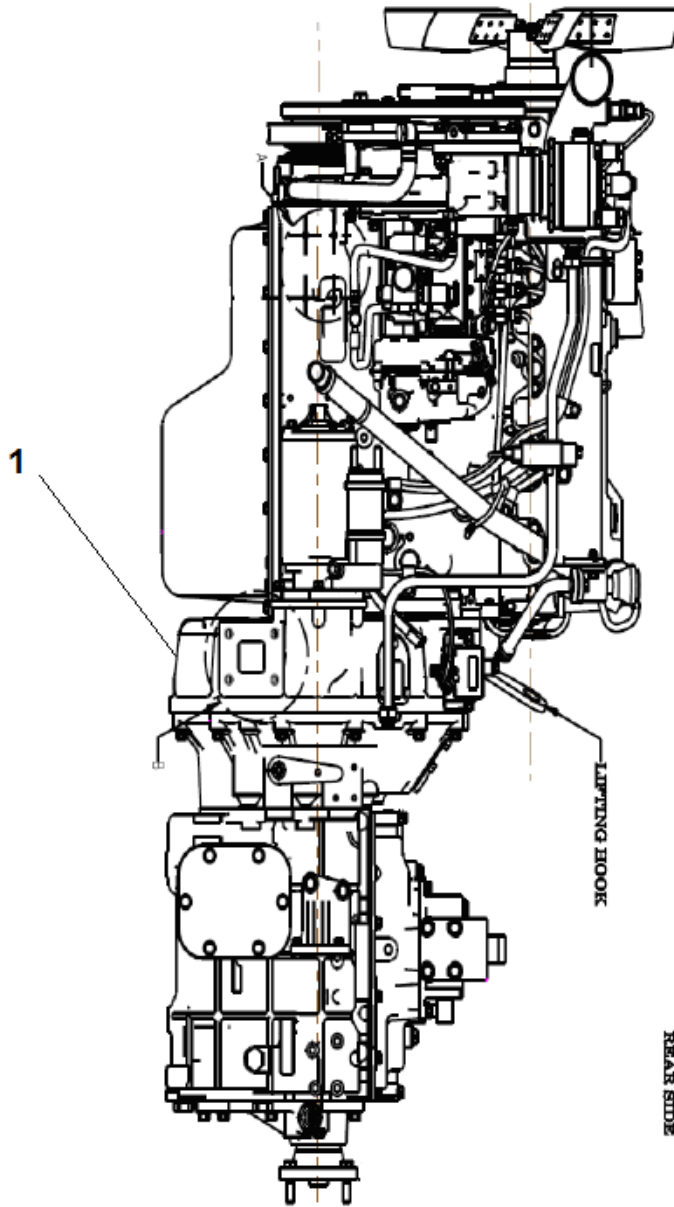
TABLE OF CONTENTS

153	DASHBOARD ASSY (4WD)	391-392
154	ELECTRICAL ASSY (4WD/2WD)	393-396
155	DASHBOARD ASSY (2WD)	397-398
156	FUEL CIRCUIT	399-400
157	ELECTRICAL CIRCUIT	401-402
158	TOOL KIT	403-404
	DECALS	
159	STICKERS	407-408
	OPTIONAL	
160	HELPER SEAT INSTALLATION	411-412
161	TYRE GUARD INSTALLATION - STD.	413-414
162	TYRE GUARD INST. OUTRIGGER	415-416
163	CAMERA & LCD ASSY INST.	417-422
164	BEACON LIGHT INSTALLATION	423-424
165	FIRE EXTINGUISHER ASSY	425-426
166	REAR VIEW MIRROR INSTALLATION	427-428
167	SLI - AVALON + WYLIN	429-436
168	TELEMATIC KIT	437-442
	PARTS INDEX	443-468



ENGINE

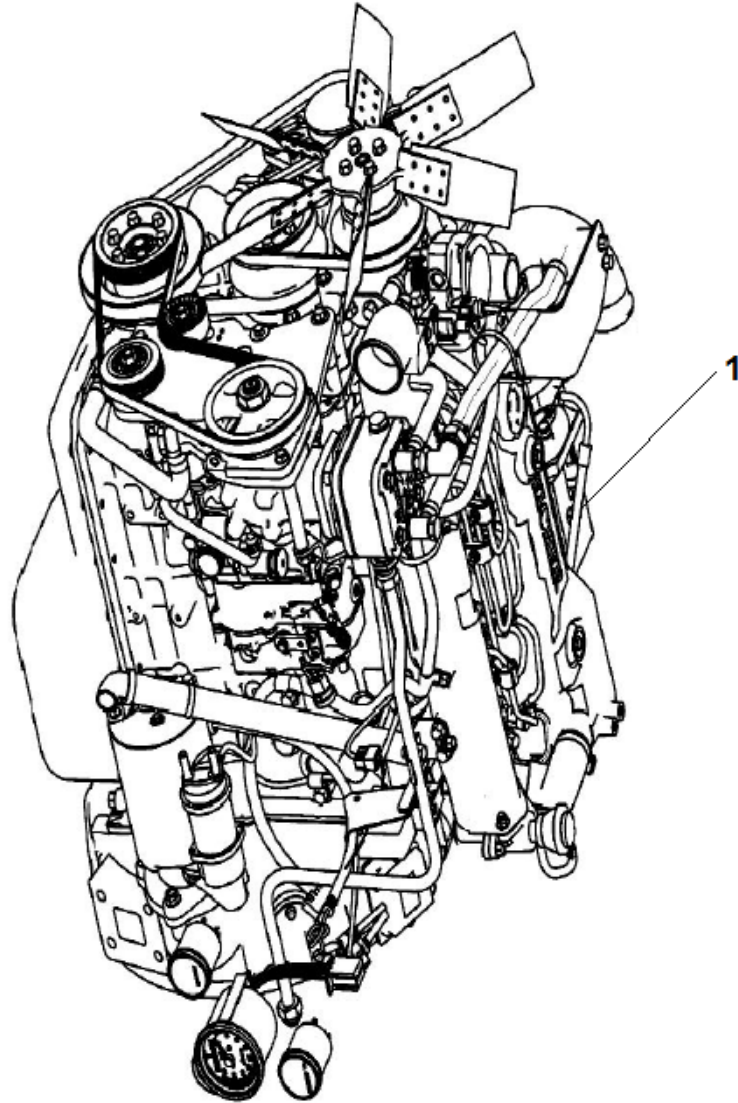
ENGINE & TRANSMISSION ASSY.



F-15

ENGINE		ENGINE & TRANSMISSION ASSY.		
S NO	PART NO	DESCRIPTION	QTY	REMARKS
1	C7303819	ENGINE & TRANSMISSION ASSY.	1	

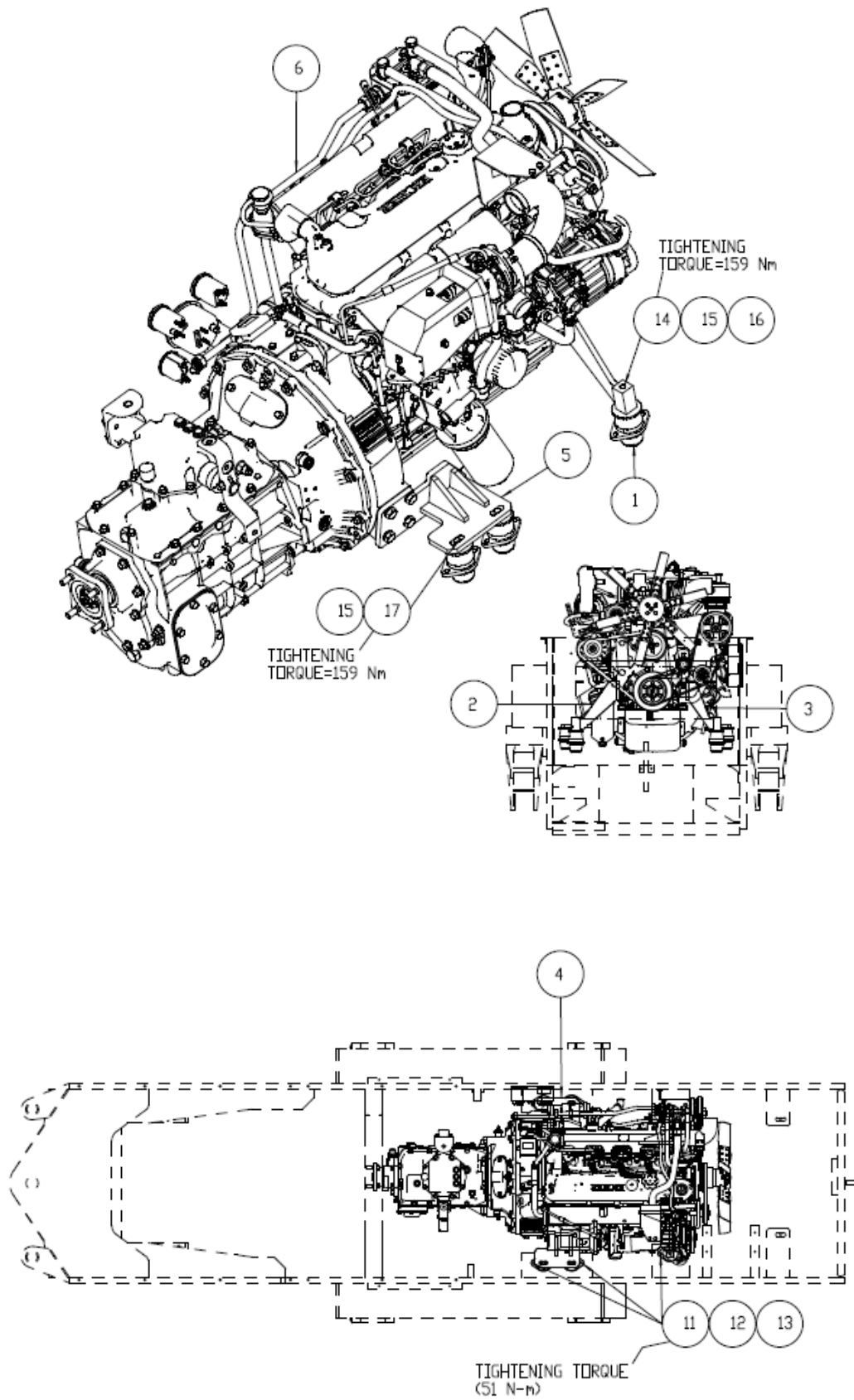
ENGINE ASSY.



F-15

ENGINE		ENGINE ASSY.		
S NO	PART NO	DESCRIPTION	QTY	REMARKS
1	C7303819E	EE483TCI CEV3 ENGINE	1	

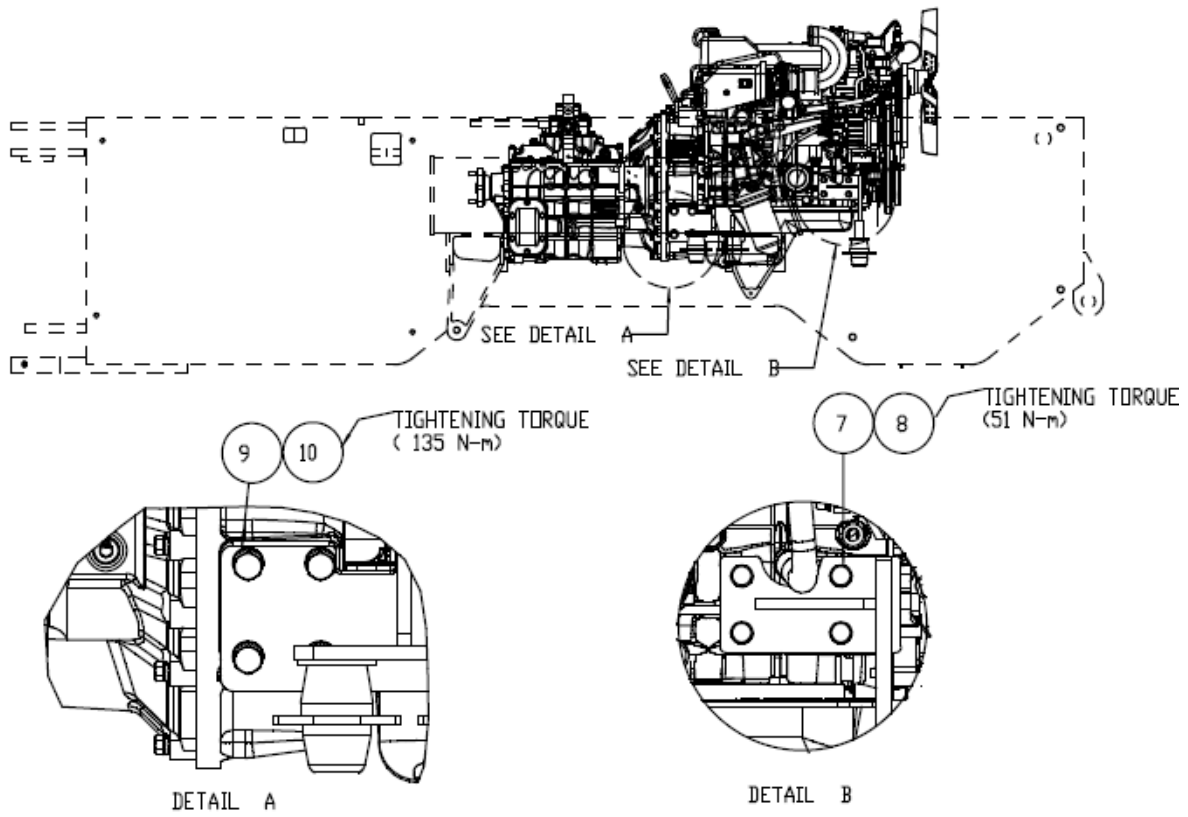
ENGINE GEARBOX INSTT.



F-15

ENGINE		ENGINE GEARBOX INSTT.		
S No	Part No	Description	Qty	Remarks
1	8V121100810	ENGINE PAD	6	
2	7302163	FRONT MTG. BKT. LH	1	
3	7302164	FRONT MTG. BKT. RH	1	
4	7302170	REAR MTG. BKT. RH	1	
5	7302171	REAR MTG. BKT. LH	1	
6	C7310923	ENGINE WITH GEAR BOX	1	
7	9100044	SPRING LOCK WASHER A10	20	
8	9100621	HEXAGON HEAD SCREW - M10X35-10.9	8	
9	9100352	SPRING LOCK WASHER A14	8	
10	9100157	HEX HEAD SCREW M14X35_8.8	8	
11	9100224	HEXAGON HEAD BOLT-M10X40-10.9	12	
12	9101214	HEXAGON NUT- M10-10	12	
13	9100059	PUNCHED WASHER 14 A	20	
14	9100237	HEXAGON HEAD BOLT-M12X180-10.9	2	
15	9101215	HEXAGON NUT- M12-10	6	
16	8G335212380	WASHER(33521A238)	6	
17	9100569	HEXAGON HEAD BOLT-M12X130-10.9	4	

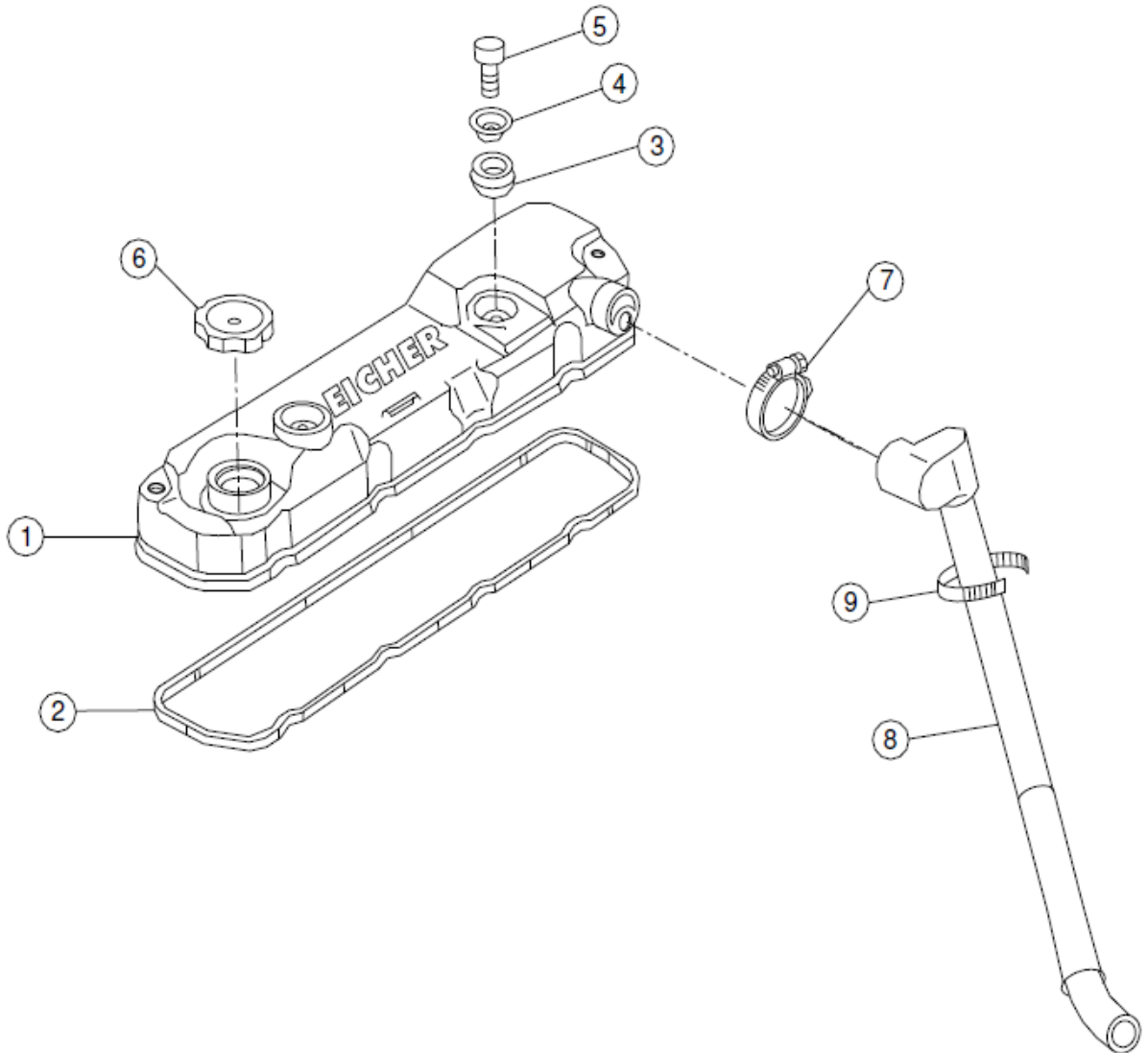
ENGINE GEARBOX INSTT.



F-15

ENGINE		ENGINE GEARBOX INSTT.		
S No	Part No	Description	Qty	Remarks
1	8V121100810	ENGINE PAD	6	
2	7302163	FRONT MTG. BKT. LH	1	
3	7302164	FRONT MTG. BKT. RH	1	
4	7302170	REAR MTG. BKT. RH	1	
5	7302171	REAR MTG. BKT. LH	1	
6	C7310923	ENGINE WITH GEAR BOX	1	
7	9100044	SPRING LOCK WASHER A10	20	
8	9100621	HEXAGON HEAD SCREW - M10X35-10.9	8	
9	9100352	SPRING LOCK WASHER A14	8	
10	9100157	HEX HEAD SCREW M14X35_8.8	8	
11	9100224	HEXAGON HEAD BOLT-M10X40-10.9	12	
12	9101214	HEXAGON NUT- M10-10	12	
13	9100059	PUNCHED WASHER 14 A	20	
14	9100237	HEXAGON HEAD BOLT-M12X180-10.9	2	
15	9101215	HEXAGON NUT- M12-10	6	
16	8G335212380	WASHER(33521A238)	6	
17	9100569	HEXAGON HEAD BOLT-M12X130-10.9	4	

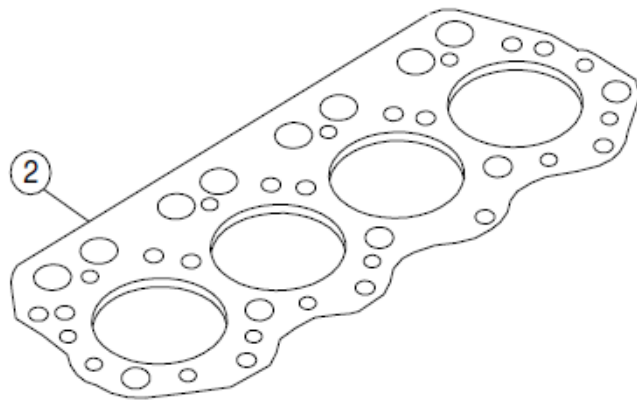
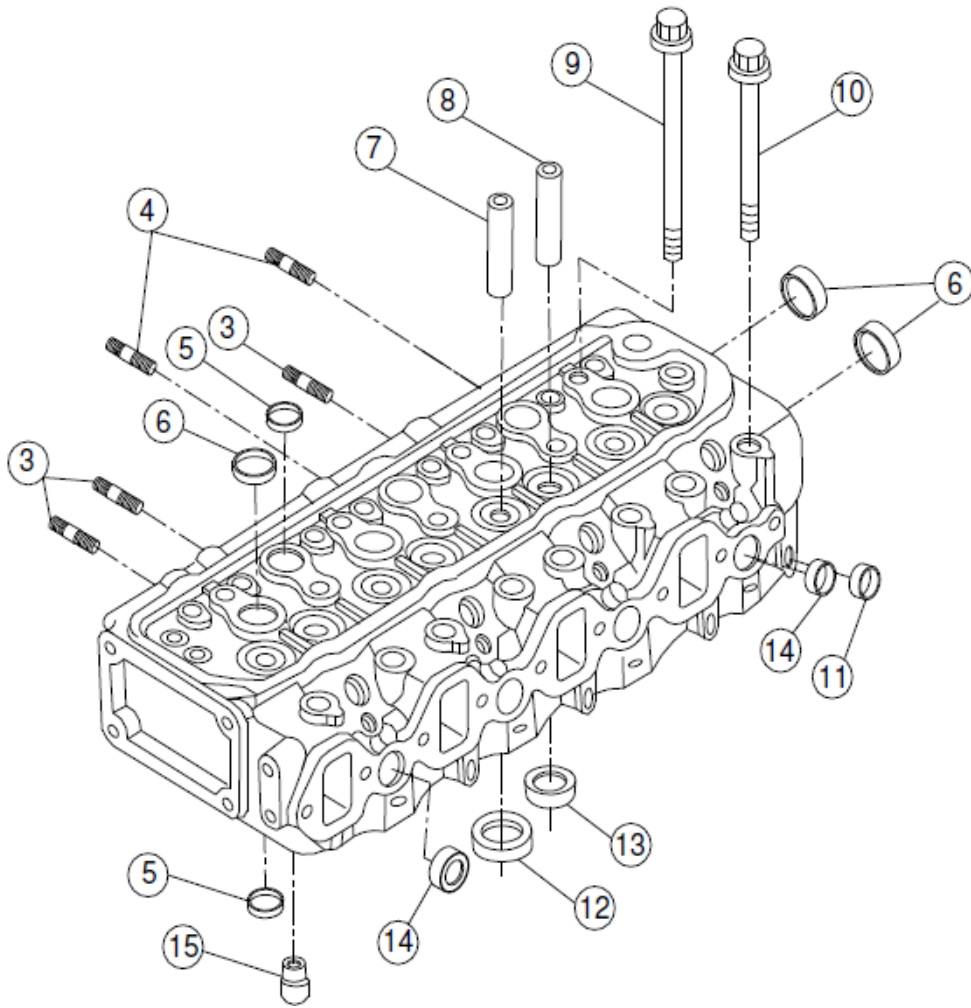
ROCKER COVER & BREATHER



F-15

ENGINE		ROCKER COVER & BREATHER		
S NO	PART NO	DESCRIPTION	QTY	REMARKS
1	C7303819E.122	ROCKER COVER ASSY	1	
2	C7303819E.258	GASKET ROCKER COVER	1	
3	C7303819E.260	RUBBER SEAL, ROCKER COVER BOLT	2	
4	C7303819E.259	WASHER ROCKER COVER BOLT	2	
5	C7303819E.315	HEX BOLT 8 X 1.25 X 45 (7T)	2	
6	C7303819E.249	CAP, OIL FILLER	1	
7	C7303819E.401	CLIP ENGINE BREATHER (D=49)	1	
8	C7303819E.272	HOSE ENGINE BREATHER (L=604)	1	
9	C7303819E.014	CABLE BAND (150MM)	1	

CYLINDER HEAD

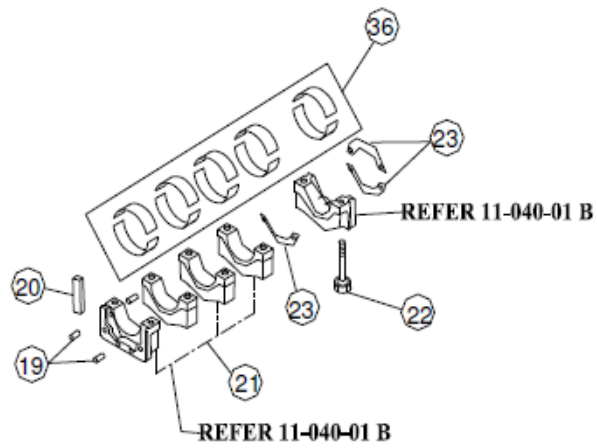
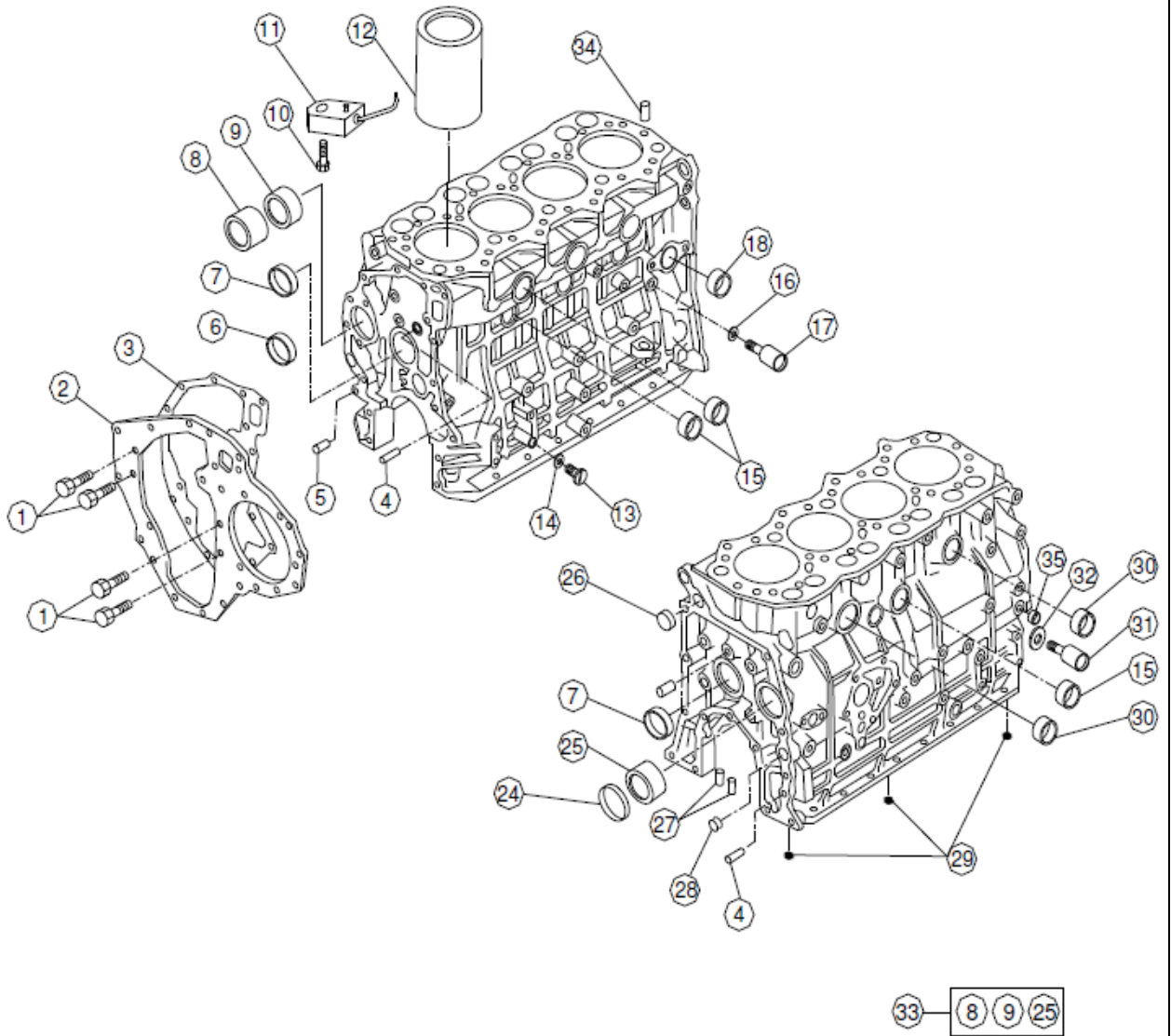


- | | | | | | | | | | | | |
|----|----|----|---|---|---|---|----|----|----|----|----|
| 16 | 7 | 8 | | | | | | | | | |
| 17 | 12 | 13 | | | | | | | | | |
| 1 | 3 | 4 | 5 | 6 | 7 | 8 | 11 | 12 | 13 | 14 | 15 |

F-15

ENGINE		CYLINDER HEAD		
S NO	PART NO	DESCRIPTION	QTY	REMARKS
1	C7303819E.066	HEAD ASSY.CYLINDER	1	
2	C7303819E.081	GASKET CYLINDER HEAD	1	
3	C7303819E.119	STUD	6	
4	C7303819E.124	STUD	2	
5	C7303819E.421	CAP, SEALING(DIA 22)	7	
6	C7303819E.423	CAP, SEALING(DIA 28)	6	
7	C7303819E.305	GUIDE, INLET VALVE	4	
8	C7303819E.306	GUIDE, EXHAUST VALVE	4	
9	C7303819E.091	BOLT CYLINDER HEAD	5	
10	C7303819E.089	BOLT CYLINDER HEAD	12	
11	C7303819E.420	CAP, SEALING(DIA 14)	4	
12	C7303819E.112	SEAT, INLET VALVE	4	
13	C7303819E.113	SEAT, EXHAUST VALVE	4	
14	C7303819E.422	CAP, SEALING(DIA 25)	4	
15	C7303819E.252	DIRECTOR	1	
16	C7303819E.063	VALVE GUIDE SET	1	
17		VALVE SEAT SET 483	1	

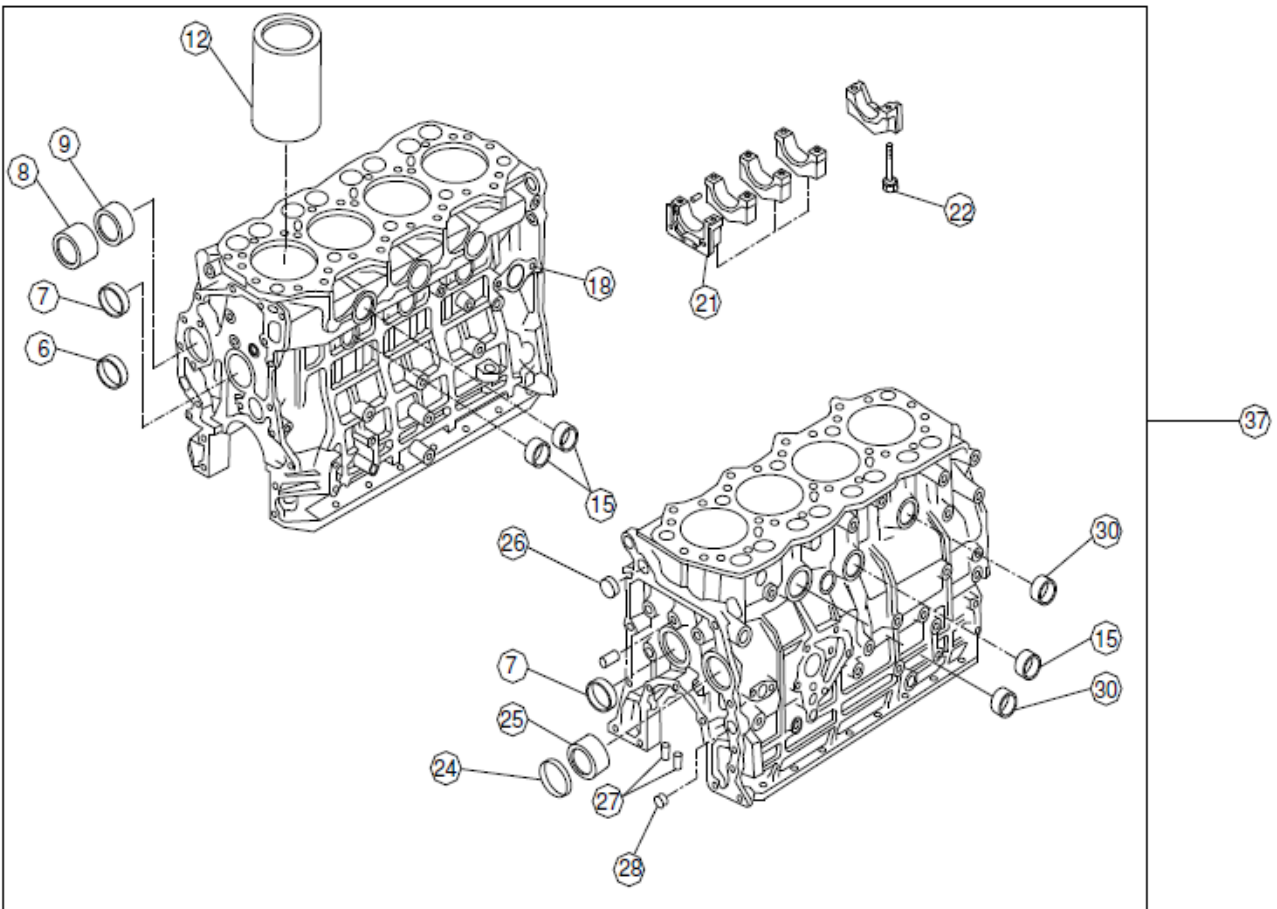
CYLINDER BLOCK



F-15

ENGINE		CYLINDER BLOCK		
S NO	PART NO	DESCRIPTION	QTY	REMARKS
1	C7303819E.322	BOLT M8X1.25X16	4	
2	C7303819E.018	PLATE, FRONT	1	
3	C7303819E.265	GASKET,FRONT PLATE	1	
4	C7303819E.398	PIN, DOWEL	2	
5	C7303819E.354	STUD M12X1.25X24	1	
6	C7303819E.420	CAP, SEALING(DIA 14)	2	
7	C7303819E.425	CAP, SEALING(DIA 50)	2	
8	C7303819E.303	BUSHING CAM SHAFT NO 1	1	
9	C7303819E.263	BUSHING CAM SHAFT NO 2	1	
10	C7303819E.324	BOLT M8X1.25X25	4	
11	C7303819E.071	ASSY PISTON COOLING JET	4	
12	C7303819E.267	SLEEVE CYLINDER STD	4	
13	C7303819E.304	SCREW,SET CYLINDER BLOCK	1	
14	C7303819E.368	GASKET DIA.10	1	
15	C7303819E.424	CAP, SEALING(DIA 35)	7	
16	C7303819E.372	GASKET DIA.20	1	
17	C7303819E.411	PLUG, DRAIN	1	
18	C7303819E.375	CAP SEALING (30)	1	
19	C7303819E.400	PIN, SPRING	6	
20	C7303819E.268	SEAL, SIDE	4	
21	C7303819E.281	CAP,BEARING,R	1	
22	C7303819E.035	BOLT, MAIN CAP	10	
23	C7303819E.031	PLATE, THRUST	3	
	C7303819E.032	THRUST PLATE, CRANKSHAFT	3	
	C7303819E.033	THRUST PLATE, CRANKSHAFT	3	
	C7303819E.034	THRUST PLATE, CRANKSHAFT	3	
24	C7303819E.412	CAP, SEALING	1	
25	C7303819E.264	BUSHING CAM SHAFT NO 4	1	
26	C7303819E.423	CAP, SEALING(DIA 28)	1	
27	C7303819E.266	PIN, DOWEL	4	
28	C7303819E.421	CAP, SEALING(DIA 22)	2	
29	C7303819E.364	BALL, STEEL (11/32)	4	
30	C7303819E.248	CAP,SEALING	2	
31	C7303819E.072	ASSY,OIL JET CHECK VALVE	1	
32	C7303819E.371	GASKET DIA.18	1	
33	C7303819E.062	CAM SHAFT BUSH KIT	1	
34	C7303819E.088	HOLLOW DOWEL	1	
35	C7303819E.409	PLUG TAPER	1	
36	C7303819E.020	BEARING SET, CRANKSHAFT STD	1	
	C7303819E.021	BEARING SET, CRANKSHAFT).25 U/S	1	
	C7303819E.022	BEARING SET, CRANKSHAFT 0.5 U/S	1	
	C7303819E.023	BEARING SET, CRANKSHAFT 0.75 U/S	1	
	C7303819E.024	BEARING SET, CRANKSHAFT 1.0 U/S	1	

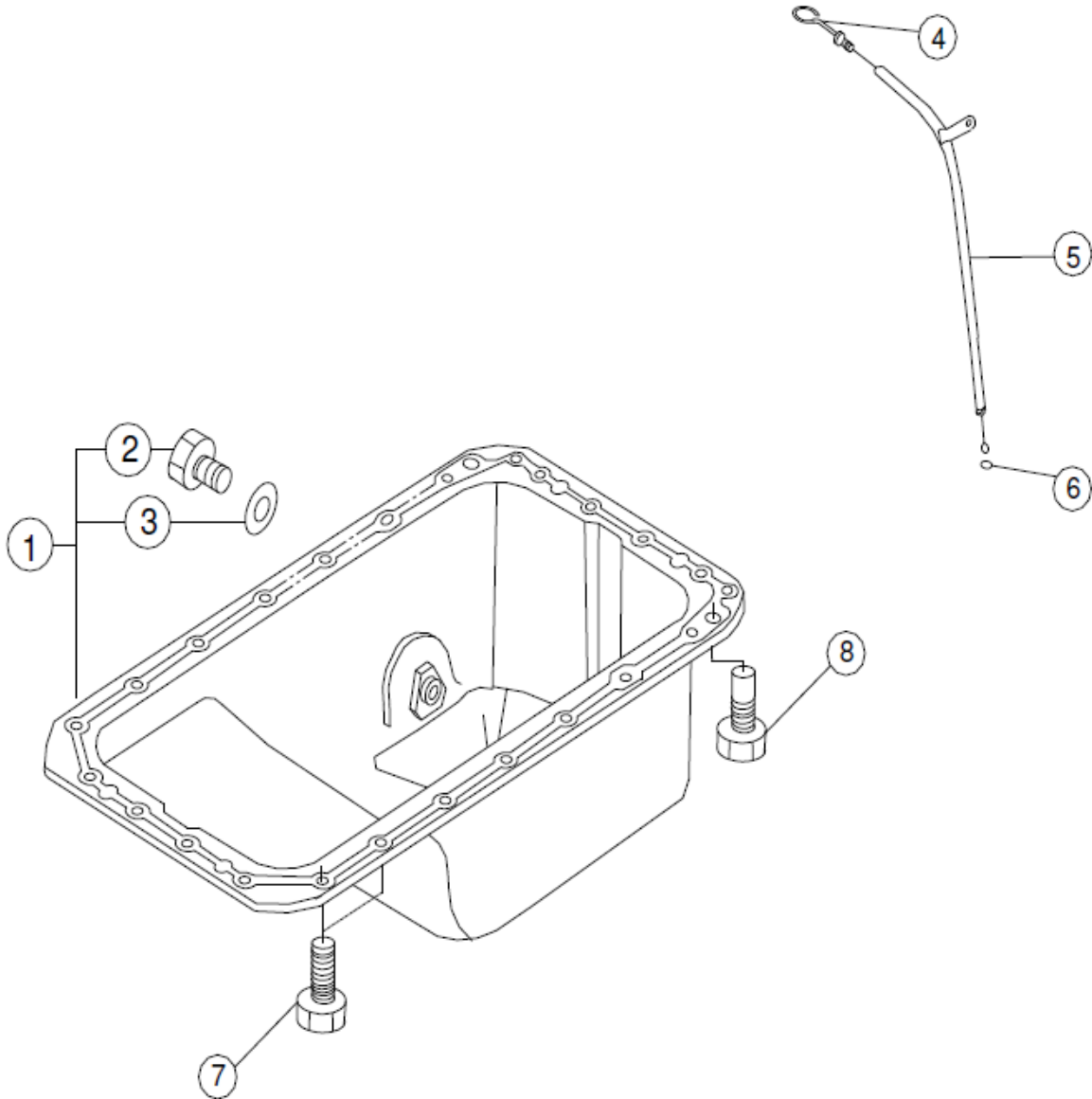
SERVICE CYLINDER BLOCK KIT



F-15

ENGINE		SERVICE CYLINDER BLOCK KIT		
S NO	PART NO	DESCRIPTION	QTY	REMARKS
6	C7303819E.420	CAP, SEALING(DIA 14)	2	
7	C7303819E.425	CAP, SEALING(DIA 50)	2	
8	C7303819E.303	BUSHING CAM SHAFT NO 1	1	
9	C7303819E.263	BUSHING CAM SHAFT NO 2	1	
12	C7303819E.267	SLEEVE CYLINDER STD	4	
15	C7303819E.424	CAP, SEALING(DIA 35)	7	
18	C7303819E.375	CAP SEALING (30)	1	
21	C7303819E.281	CAP,BEARING,R	1	
22	C7303819E.035	BOLT, MAIN CAP	10	
24	C7303819E.412	CAP, SEALING	1	
25	C7303819E.264	BUSHING CAM SHAFT NO 4	1	
26	C7303819E.423	CAP, SEALING(DIA 28)	1	
27	C7303819E.266	PIN, DOWEL	4	
28	C7303819E.421	CAP, SEALING(DIA 22)	2	
30	C7303819E.248	CAP,SEALING	2	
33	C7303819E.062	CAM SHAFT BUSH KIT	1	
37	C7303819E.067	CRANKECASE ASSY	1	

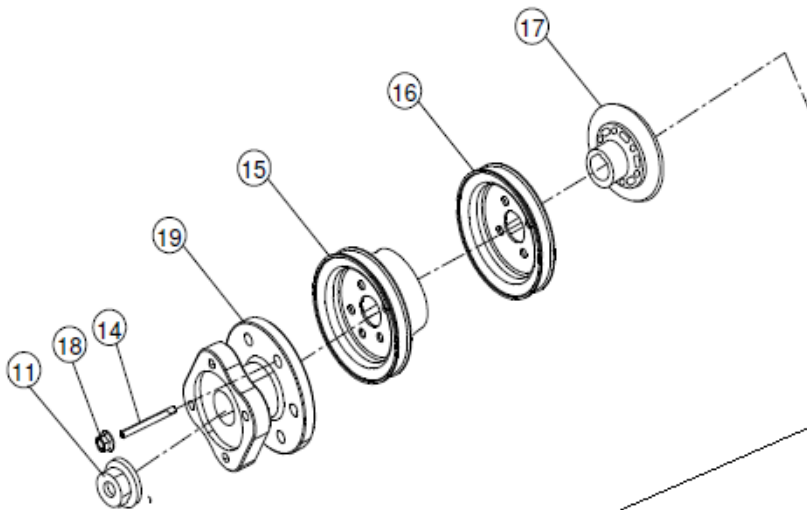
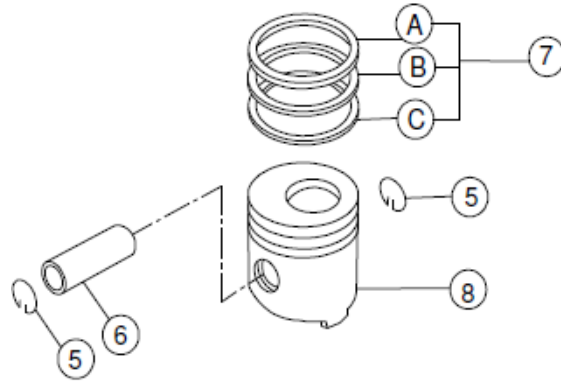
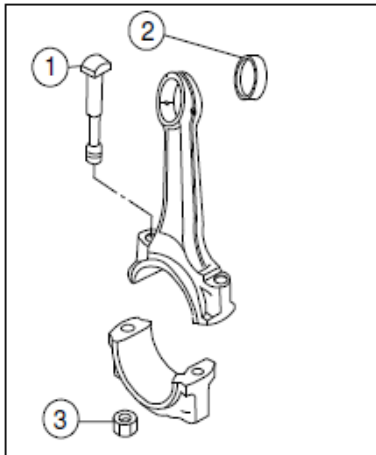
OIL PAN & FILLER GAUGE



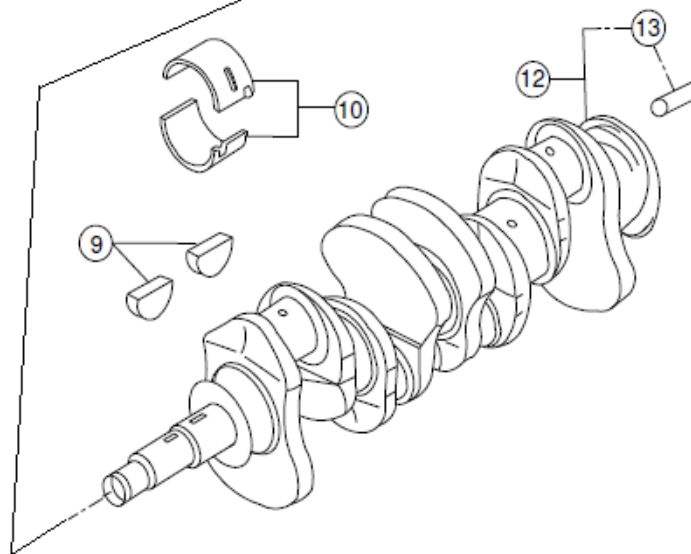
F-15

ENGINE		OIL PAN & FILLER GAUGE		
S NO	PART NO	DESCRIPTION	QTY	REMARKS
1	C7303819E.059	OIL PAN ASSY.	1	
2	C7303819E.413	PLUG, ENGINE OIL PAN(14)	1	
3	C7303819E.250	GASKET OIL DRAIN PLUG	1	
4	C7303819E.291	GAUGE OIL LEVEL	1	
5	C7303819E.292	GUIDE OIL LEVEL GAUGE	1	
6	C7303819E.358	O-RING (11) DIP STICK GUIDE	1	
7		BOLT FLANGE (M8 X 1.25 X16)7T	24	
8		BOLT FLANGE (10X1.5X30)	2	

PISTON CONNECTING ROD & CRANKSHAFT



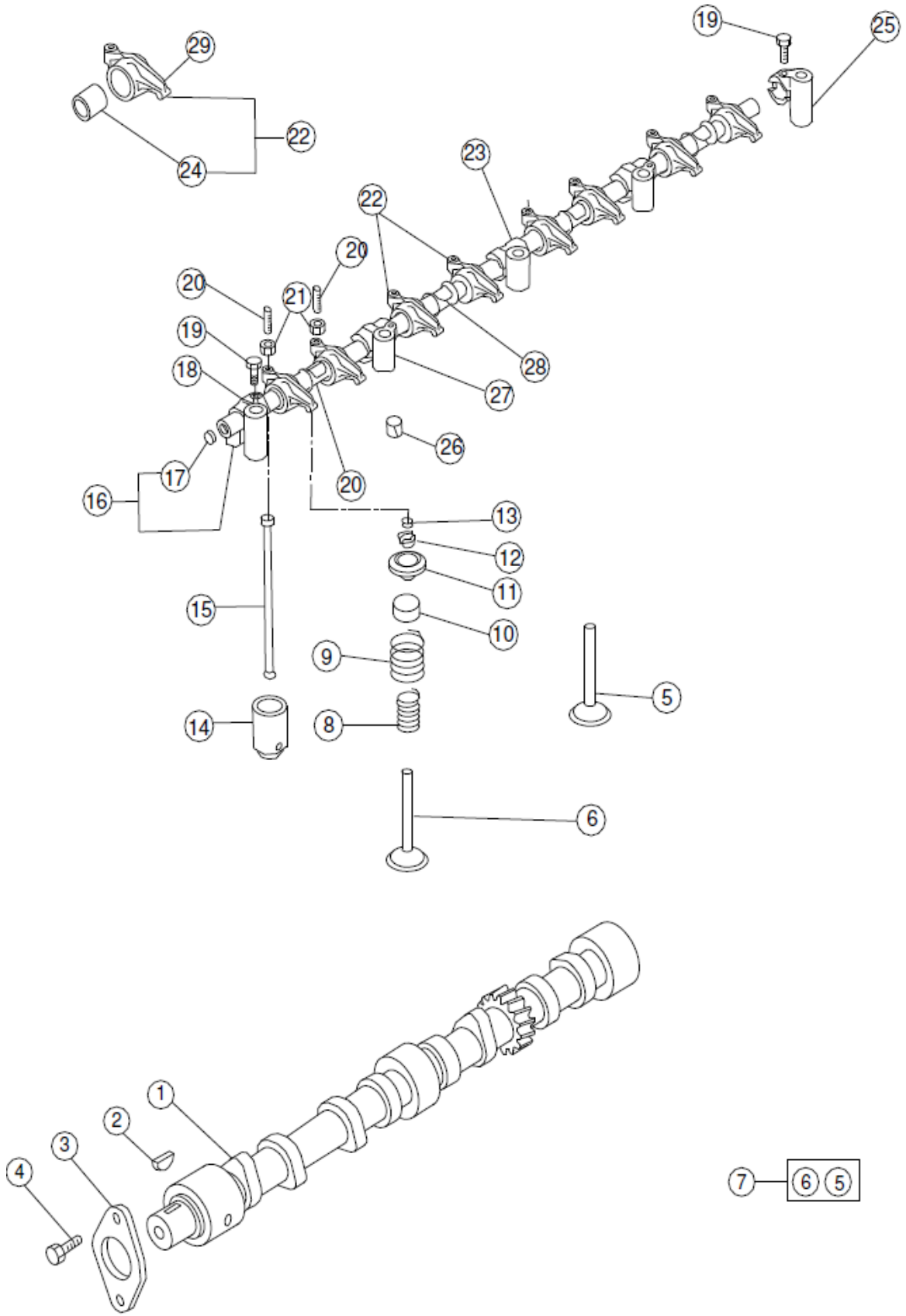
- | | |
|---|----------|
| Ⓐ | - 4 NOs. |
| Ⓑ | - 4 NOs. |
| Ⓒ | - 4 NOs. |



F-15

ENGINE		PISTON CONNECTING ROD & CRANKSHAFT		
S NO	PART NO	DESCRIPTION	QTY	REMARKS
1	C7303819E.273	BOLT,CONNECTING ROD	8	
2	C7303819E.123	BUSHING, CON ROD SMALL END	4	
3	C7303819E.300	NUT	8	
4	C7303819E.073	ROD ASSEMBLY,CONNECTING	4	
5	C7303819E.030	RING,SNAP	8	
6	C7303819E.118	PIN, PISTON	4	
7	C7303819E.115	RING SET, PISTON	4	
8	C7303819E.143	PISTON E683 EURO III L GRADE	4	
9	C7303819E.415	KEY,WOODRUFF(7X22)	2	
10	C7303819E.025	CON ROD BEARING SET STD	1	
	C7303819E.026	BEARING SET, CONNECTING ROD	1	
	C7303819E.027	BEARING SET, CONNECTING ROD	1	
	C7303819E.028	BEARING SET, CONNECTING ROD	1	
	C7303819E.029	BEARING SET, CONNECTING ROD	1	
11	C7303819E.392	NUT	1	
12	C7303819E.163	CRANK SHAFT	1	
13	C7303819E.195	STEP PIN, DOWEL	1	
14		STUD	6	
15	C7303819E.140	CRANK PULLEY	1	
16	C7303819E.275	PULLY CRANK SHAFT	1	
17	C7303819E.274	FLANGE, CRANK PULLEY	1	
18		NUT FLANGE (M8 X1.25	6	
19		ADAPTOR CRANK PULLEY	1	

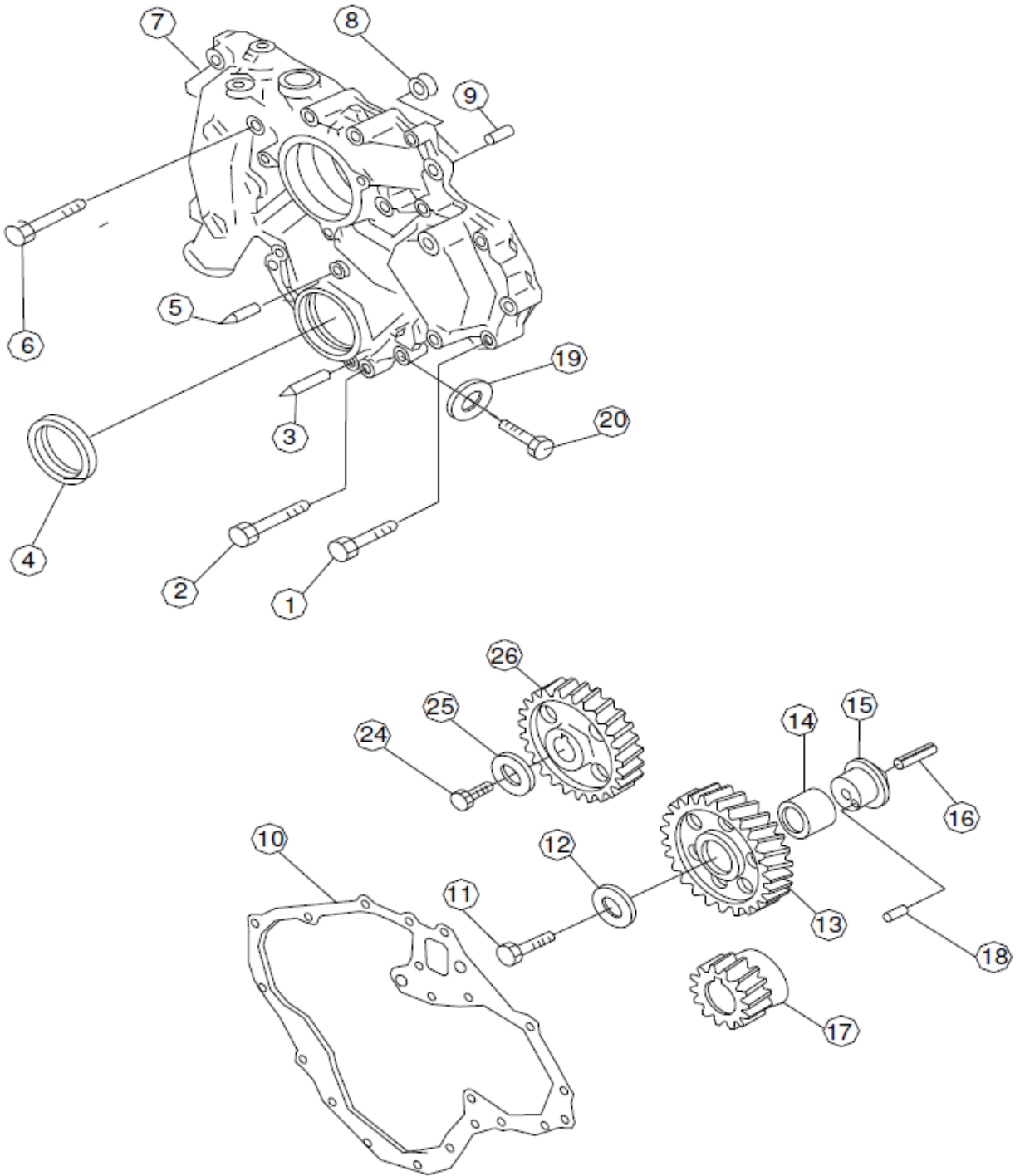
CAMSHFT & VALVE



F-15

ENGINE		CAMSHFT & VALVE		
S NO	PART NO	DESCRIPTION	QTY	REMARKS
1	C7303819E.092	CAMSHAFT MACHINING	1	
2	C7303819E.415	KEY,WOODRUFF(7X22)	1	
3	C7303819E.278	PLATE, THRUST	1	
4	C7303819E.322	BOLT M8X1.25X16	2	
5	C7303819E.083	VALVE-EXHAUST	4	
6	C7303819E.082	VALVE INLET	4	
7	C7303819E.064	ENGINE VALVE SET	1	
8	C7303819E.302	SPRING VALVE INNER	8	
9	C7303819E.301	SPRING VALVE OUTER	8	
10	C7303819E.312	SEAL, VALVE STEM	8	
11	C7303819E.257	RETAINER,UPPER	8	
12	C7303819E.253	COTTER, VALVE	16	
13	C7303819E.299	CAP, VALVE	8	
14	C7303819E.282	TAPPET	8	
15	C7303819E.256	PUSH ROD	8	
16	C7303819E.068	SHAFT ASSY, ROCKER	2	
17	C7303819E.374	PLUG EXPANSION DIA.12	2	
18	C7303819E.084	BRACKET ROCKER SHAFT, FRONT	5	
19	C7303819E.321	BOLT M6X1.0X12	5	
20	C7303819E.388	SCREW,ADJUSTING (8X32)	5	
21	C7303819E.342	NUT M8X1.25 (3)	5	
22	C7303819E.261	ROCKER ASSY	5	
23	C7303819E.086	BRACKET ROCKERSHAFT, CENTRE	5	
24	C7303819E.254	BUSHING, ROCKER	6	
25	C7303819E.085	BRACKET ROCKERSHAFT, REAR	5	
26	C7303819E.399	PIN, SPRING	5	
27	C7303819E.087	BRACKET,ROCKER SHAFT 2,4	5	
28	C7303819E.255	SRPING,ROCKER SHAFT	5	
29		ROCKER	1	NS

TIMING GEAR



21 — 15 16 18

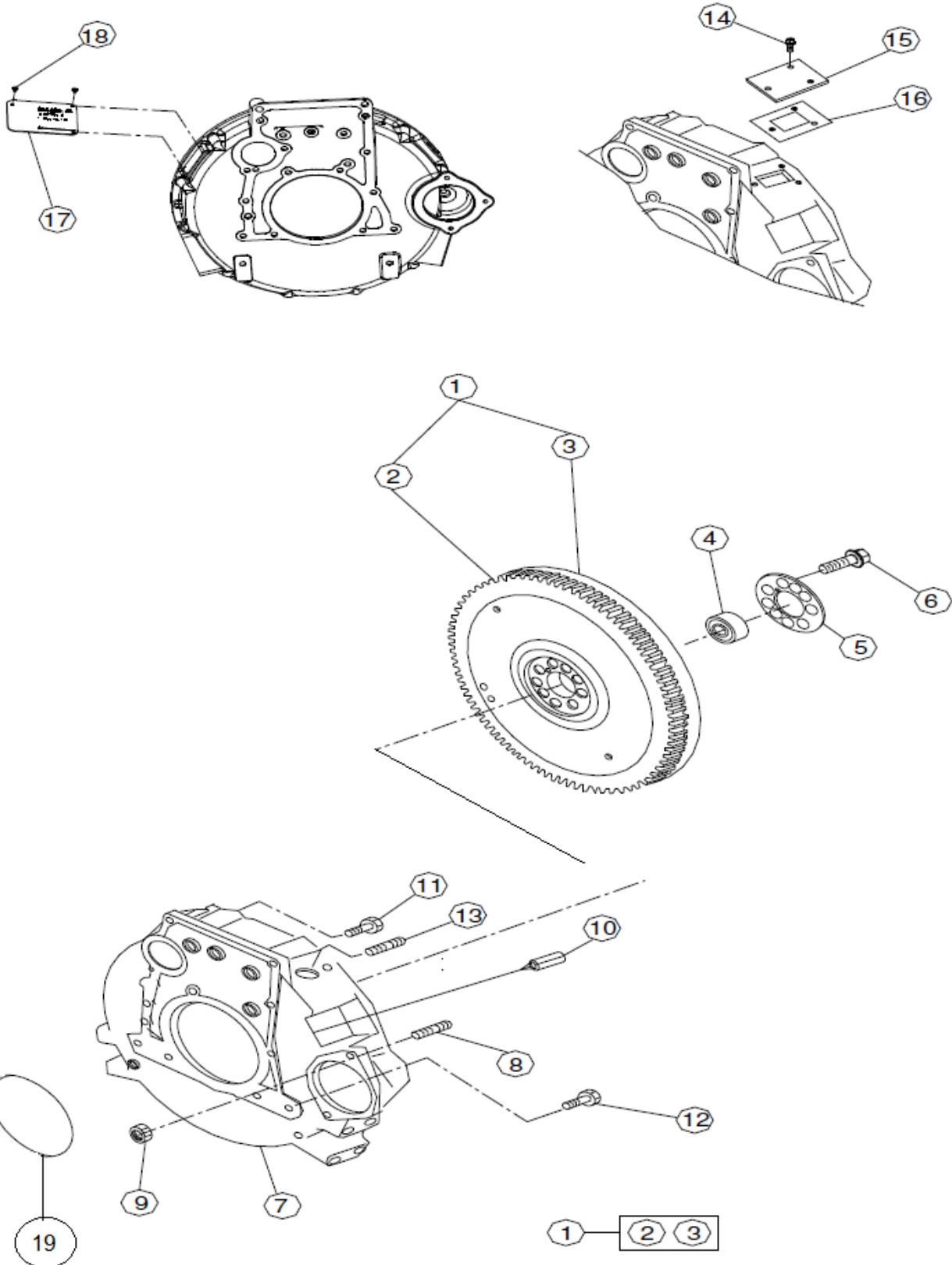
22 — 13 14

23 — 3 5 7 8 9

F-15

ENGINE		TIMING GEAR		
S NO	PART NO	DESCRIPTION	QTY	REMARKS
1	C7303819E.328	BOLT M8X1.25X55	1	
2	C7303819E.330	BOLT M8X1.25X70	2	
3	C7303819E.269	POINTER	1	
4	C7303819E.279	OIL SEAL, FRONT	1	
5	C7303819E.270	POINTER	1	
6	C7303819E.326	BOLT M8X1.25X40	8	
7	C7303819E.177	CASE ASSY, TIMING GEAR	1	
8	C7303819E.421	CAP, SEALING(DIA 22)	1	
9	C7303819E.354	STUD M12X1.25X24	1	
10	C7303819E.271	GASKET, TIMING GEAR CASE	1	
11	C7303819E.390	BOLT, FLANGE	1	
12	C7303819E.100	WASHER	1	
13	C7303819E.167	GEAR, IDLER	1	
14	C7303819E.276	BUSHING, IDLERGEAR	1	
15	C7303819E.096	SHAFT, IDLER	1	
16	C7303819E.356	PIN SPRINGDIA.5X20	1	
17	C7303819E.094	GEAR, CRANKSHAFT	1	
18	C7303819E.353	PIN, DOWEL	1	
19	C7303819E.407	GASKETM16	1	
20	C7303819E.106	ADAPTOR OIL OUTLET COMPRESSOR, MCV	1	
21	C7303819E.069	SHAFT ASSY, IDLER	1	
22	C7303819E.168	GEAR ASSY, IDLER	1	
23	C7303819E.177	CASE ASSY TIMING GEAR	1	
24	C7303819E.390	BOLT FLANGE(10X1.25X20)	1	
25	C7303819E.100	WASHER TIMING GEAR TRAIN	1	
26	C7303819E.167	GEAR CAMSHAFT - HCV	1	

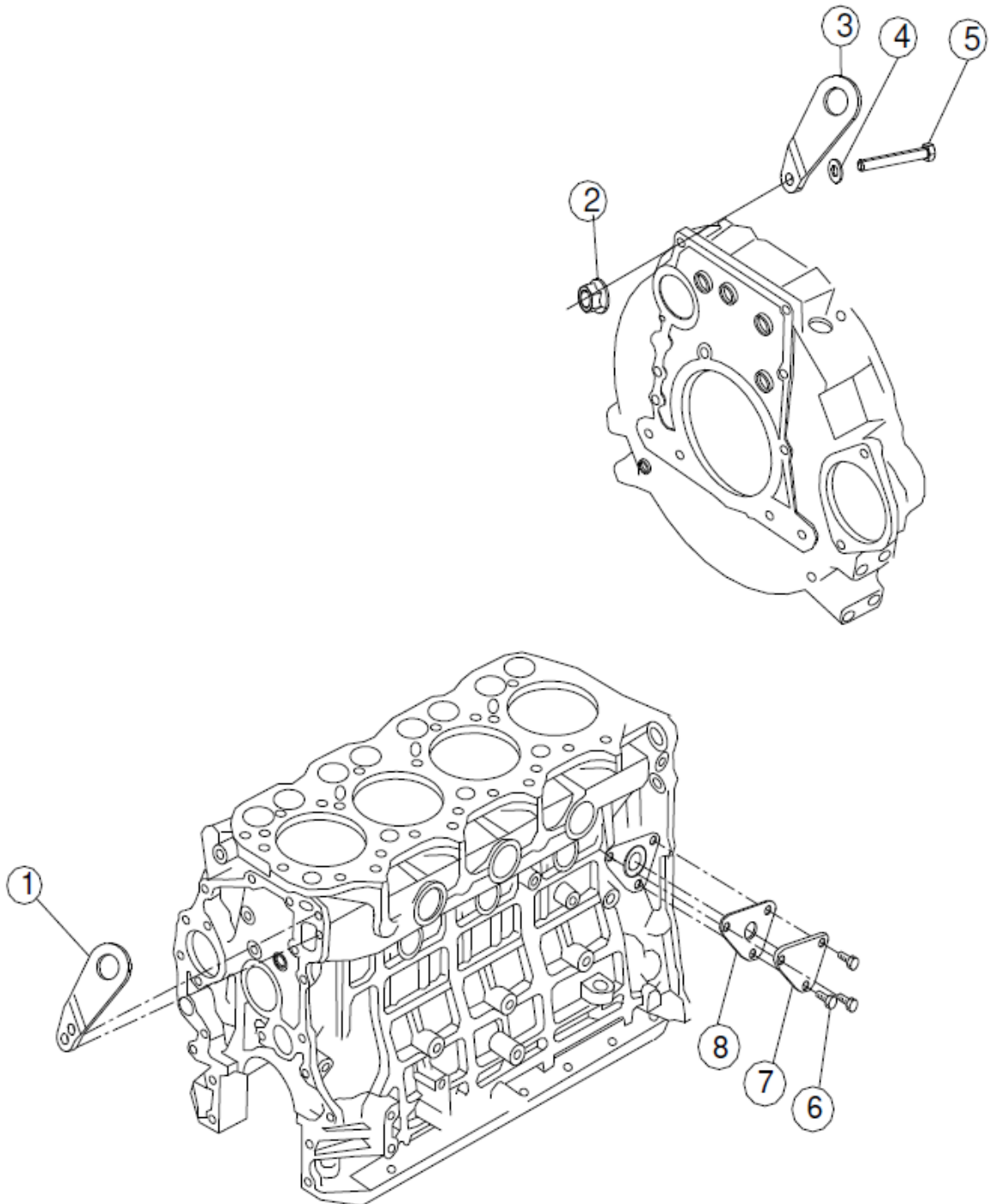
FLYWHEEL & HOUSING



F-15

ENGINE		FLYWHEEL & HOUSING		
S NO	PART NO	DESCRIPTION	QTY	REMARKS
1	C7303819E.214	FLYWHEEL ASSY.	1	
2	C7303819E.093	GEAR, RING	1	
3	C7303819E.213	FLYWHEEL(FOR DIA. 310 CLUTCH)	1	NS
4	C7303819E.013	BEARING BALL	1	
5	C7303819E.099	WASHER, PLATE	1	
6	C7303819E.376	BOLT M12X1.25X34	9	
7	C7303819E.200	FLYWHEEL HOUSING	1	
8	C7303819E.391	STUD M10	3	
9	C7303819E.005	FLANGE NUT 10TM10X1.25	3	
10	C7303819E.269	POINTER	1	
11	C7303819E.006	BOLT FLANGE M12X1.25X30	1	
12	C7303819E.380	BOLT M10X30	12	
13	C7303819E.354	STUD M12X1.25X24	1	
14	C7303819E.320	BOLT M6X1.0X8	3	
15	C7303819E.131	DUST COVER	1	
16	C7303819E.132	GASKET, DUST COVER	1	
17	C7303819E.212	ENGINE IDENTIFICATION PLATE – CEV. III	1	
18	C7303819E.012	POP RIVET 1/3" SNAP HEAD	4	
19	C7303819E.464	REAR OIL SEAL	1	

ATTACHING PART-ENGINE LIFTING



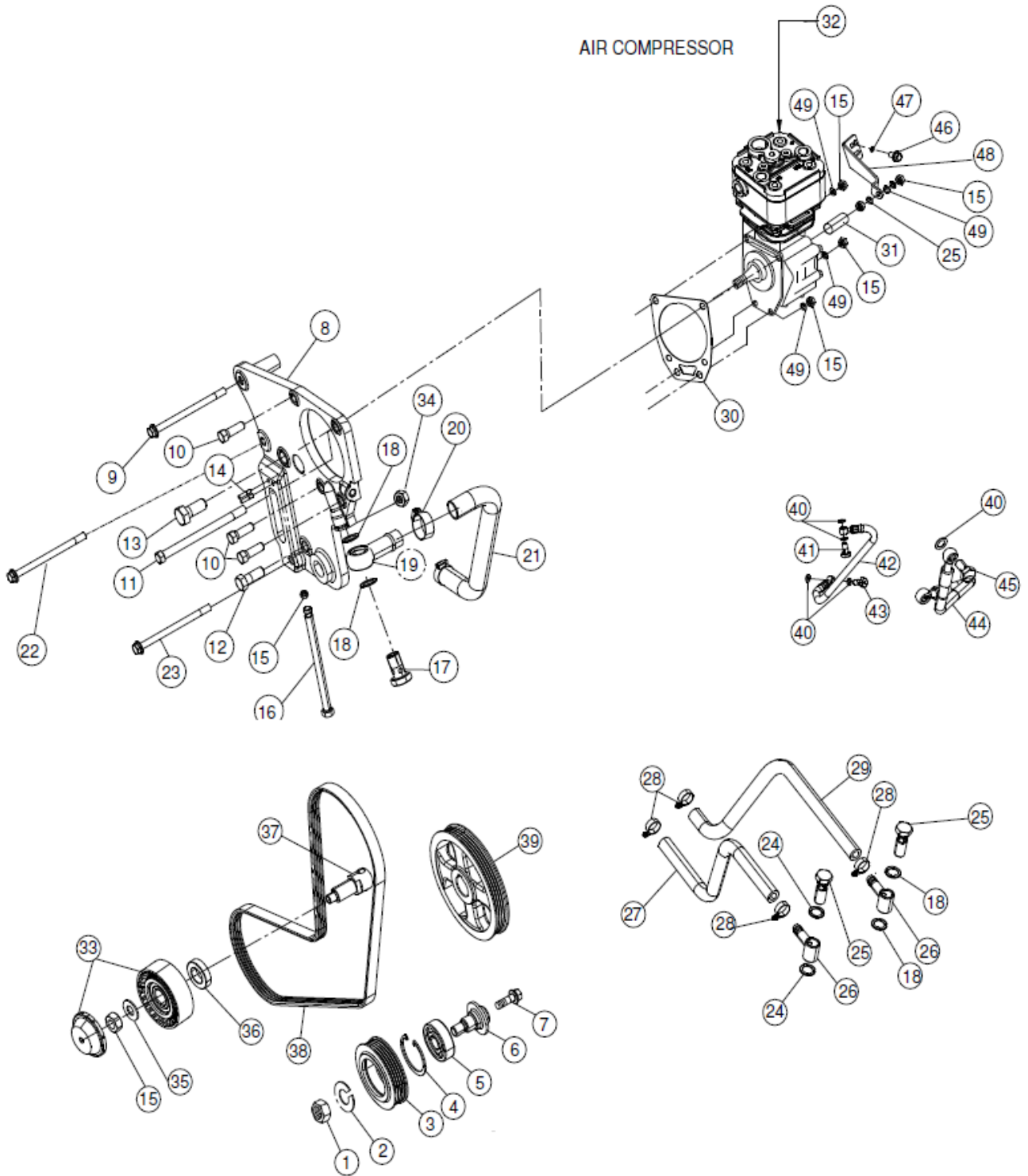
F-15

ENGINE		ATTACHING PART-ENGINE LIFTING		
S NO	PART NO	DESCRIPTION	QTY	REMARKS
1	C7303819E.090	PLATE, HANGER	1	
2	C7303819E.346	NUT FL. M12X1.25	1	
3	C7303819E.229	PLATE HANGER	1	
4	C7303819E.349	PLAIN WASHER M12	1	
5	C7303819E.243	BOLT G/S BOARD	1	
6		BOLT FLANGE (6X1X12) 7T	3	
7		GASKET, FEED PUMP MOUNTING	1	
8		PLATE DUMMY FEED PUMP (HCV)	1	

F-15

ENGINE		AIR COMPRESSOR MTG. & ATTACHING PART		
S NO	PART NO	DESCRIPTION	QTY	REMARKS
1	C7303819E.011	NUT HEX M12	1	
2	C7303819E.009	WASHER SPRING	1	
3	C7303819E.141	IDLER PULLEYCOMPRESSOR	1	
4	C7303819E.362	RING SNAP	1	
5	C7303819E.144	BEARING,BALL	1	
6	C7303819E.182	SHAFT IDLER PULLEY	1	
7	C7303819E.325	BOLT M8x1.25x30	1	
8	C7303819E.180	COMPRESSOR MOUNTING BRACKET	1	
9	C7303819E.387	BOLT FLANGE	1	
10	C7303819E.317	BOLT M10x1.5x50	3	
11	C7303819E.241	BOLT M10x1.5x135	1	
12	C7303819E.003	BOLT	1	
13	C7303819E.316	BOLT M14x1.5x45	1	
14	C7303819E.188	DOWEL PIN	2	
15	C7303819E.010	NUT HEX M10	6	
16	C7303819E.184	BOLT (M10x1.5x150)	1	
17	C7303819E.366	BOLT EYE JOINT M16x1.5x29	1	
18	C7303819E.407	GASKETM16	4	
19	C7303819E.058	JOINT EYE (ID=16)	1	
20	C7303819E.419	HOSE, CLIP	2	
21	C7303819E.155	HOSE,OIL OUTLET	1	
22	C7303819E.240	BOLT M8x1.25x135	1	
23	C7303819E.386	BOLT FLANGE	1	
24	C7303819E.407	GASKETM16	2	
25	C7303819E.078	BANJO BOLT, WATERINLET/OUTLET	2	
26	C7303819E.079	BANJO WATER I/O (MCV)	2	
27	C7303819E.171	HOSE WATER IN	1	
28	C7303819E.002	CLIP HOSE (DIA 21)	4	
29	C7303819E.172	HOSE WATER OUT	1	
30	C7303819E.076	GASKET COMPRESSORMCV	1	
31	C7303819E.173	SPACER COMPRESOR	1	
32	C7303819E.164	COMPRESSOR ASSY (UNLOADER VALVE)	1	
33	C7303819E.187	IDLER ASSEMBLY	1	
34	C7303819E.342	NUT M8x1.25 (3)	1	
35	C7303819E.348	PLAIN WASHER M10	2	
36	C7303819E.183	SHAFT SPACER	1	
37	C7303819E.181	SHAFT TENSIONER	1	
38	C7303819E.186	POLY V BELT	1	
39	C7303819E.139	COMPRESSOR PULLEYPOLY V	1	
40	C7303819E.368	GASKET DIA.10	4	
41	C7303819E.410	BOLT,EYE	1	
42	C7303819E.174	BANJO PIPE,OIL INLET MCV	1	
43	C7303819E.129	BOLT, EYE(SUPPLY PIPE E683-TC)	1	
44	C7303819E.175	HOSE FIP LUBRICATION	1	
45	C7303819E.016	BOLT, EYEFOR FLIP LUBRICATION OIL PORT	1	

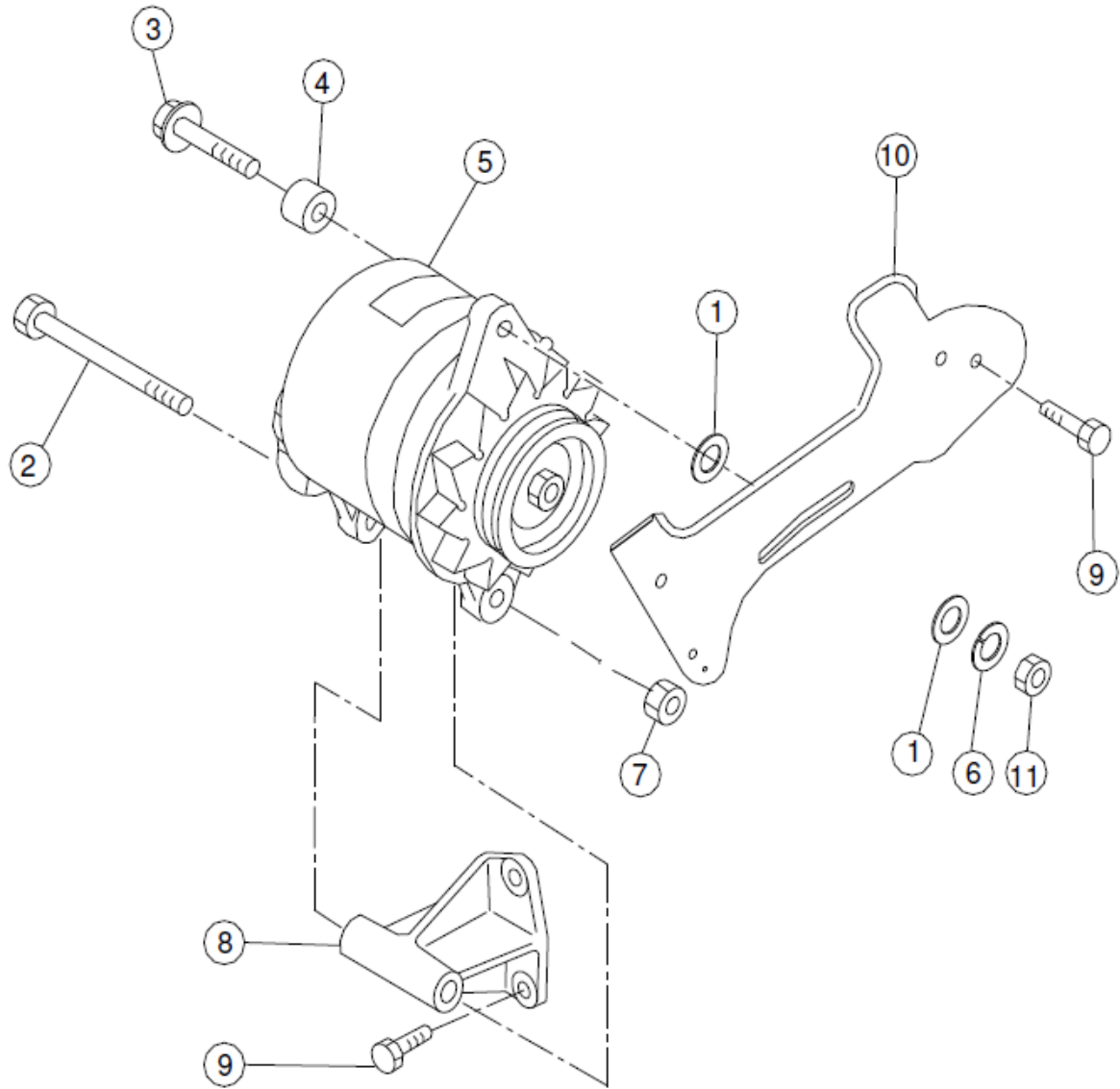
AIR COMPRESSOR MTG. & ATTACHING PART



F-15

ENGINE		AIR COMPRESSOR MTG. & ATTACHING PART		
S NO	PART NO	DESCRIPTION	QTY	REMARKS
46	7303819E.323	BOLT M8x1.25x20	2	
47	7303819E.351	SPRING WASHER M8	1	
48	7303819E.165	COMPRESSOR MOUNTING BRACKET A	1	
49	7303819E.008	WASHER SPRING M10	4	

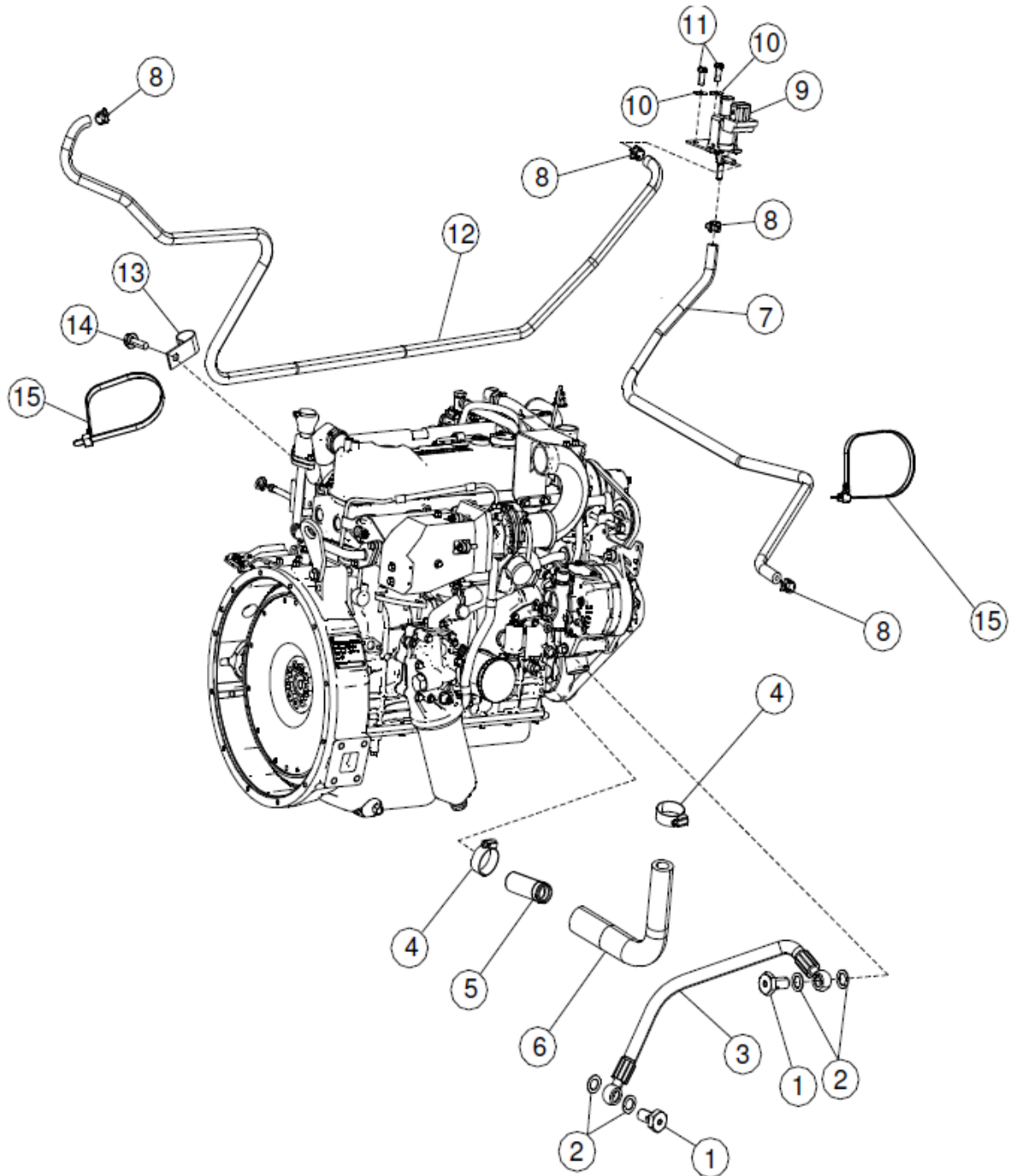
ALTERNATOR MOUNTING & ATTACHING PARTS



F-15

ENGINE		ALTERNATOR MOUNTING & ATTACHING PARTS		
S NO	PART NO	DESCRIPTION	QTY	REMARKS
1	C7303819E.350	PLAIN WASHER	2	
2	C7303819E.383	BOLT FLANGE M12x1.25x125	1	
3	C7303819E.333	BOLT M10x1.25x50	1	
4	C7303819E.125	SPACER (SHORT), EXHAUST MANIFOLD	1	
5	C7303819E.238	ALTERNATOR-24 V,75 AWITH VACUUM PUMP	1	
6	C7303819E.008	WASHER SPRING M10	1	
7	C7303819E.346	NUT FL. M12x1.25	1	
8	C7303819E.057	BRACKET, ALTERNATOR	1	
9	C7303819E.389	BOLT, FLANGE(10x22)	4	
10	C7303819E.199	BKT ALTERNATORADJUSTING	1	
11	C7303819E.345	NUT FL. M10x1.25	1	

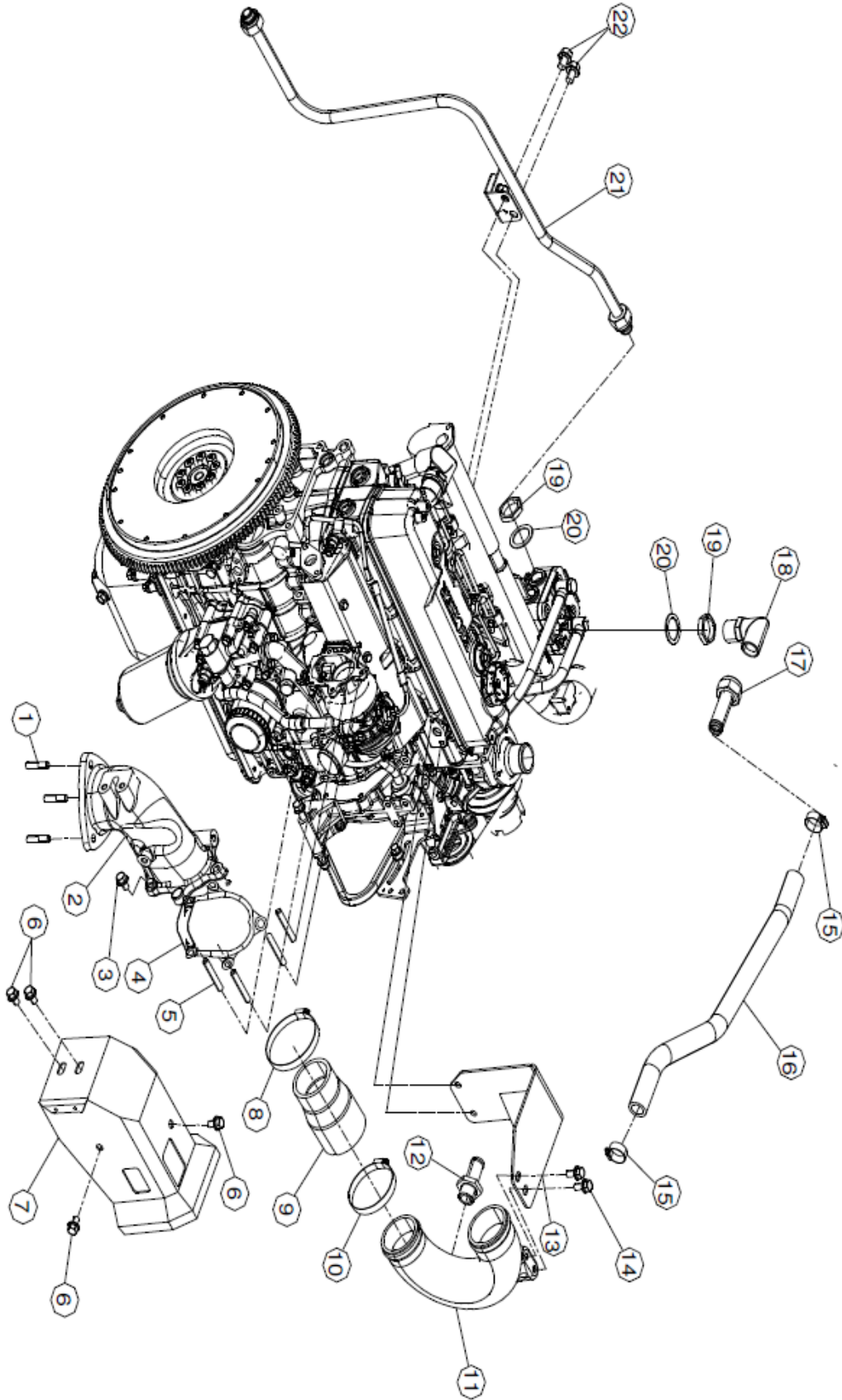
ALTERNATOR VACUUM PUMP - ATTACHING PARTS



F-15

ENGINE		ALTERNATOR VACUUM PUMP - ATTACHING PARTS		
S NO	PART NO	DESCRIPTION	QTY	REMARKS
1	C7303819E.410	BOLT,EYE	2	
2	C7303819E.368	GASKET DIA.10	4	
3	C7303819E.114	HOSE FLEXIBLE	1	
4	C7303819E.419	HOSE, CLIP	2	
5	C7303819E.295	PIPEHEATER	1	
6	C7303819E.157	HOSE,OIL DRAIN(VACUUM PUMP)	1	
7	C7303819E.230	HOSE VSV	1	
8	C7303819E.417	CLIP, HOSE	2	
9	C7303819E.196	VACUUM SOLENOID VALVE12V	1	
10	C7303819E.339	WASHER PLAINM5	2	
11	C7303819E.338	SCREW, MACHINE M5x0.8x12	2	
12	C7303819E.166	HOSE (ALTERNATOR TO VACUUM CHAMBER)	1	
13	C7303819E.357	CLIP	1	
14	C7303819E.318	BOLT M6x1x20	1	
15	C7303819E.015	BAND	2	

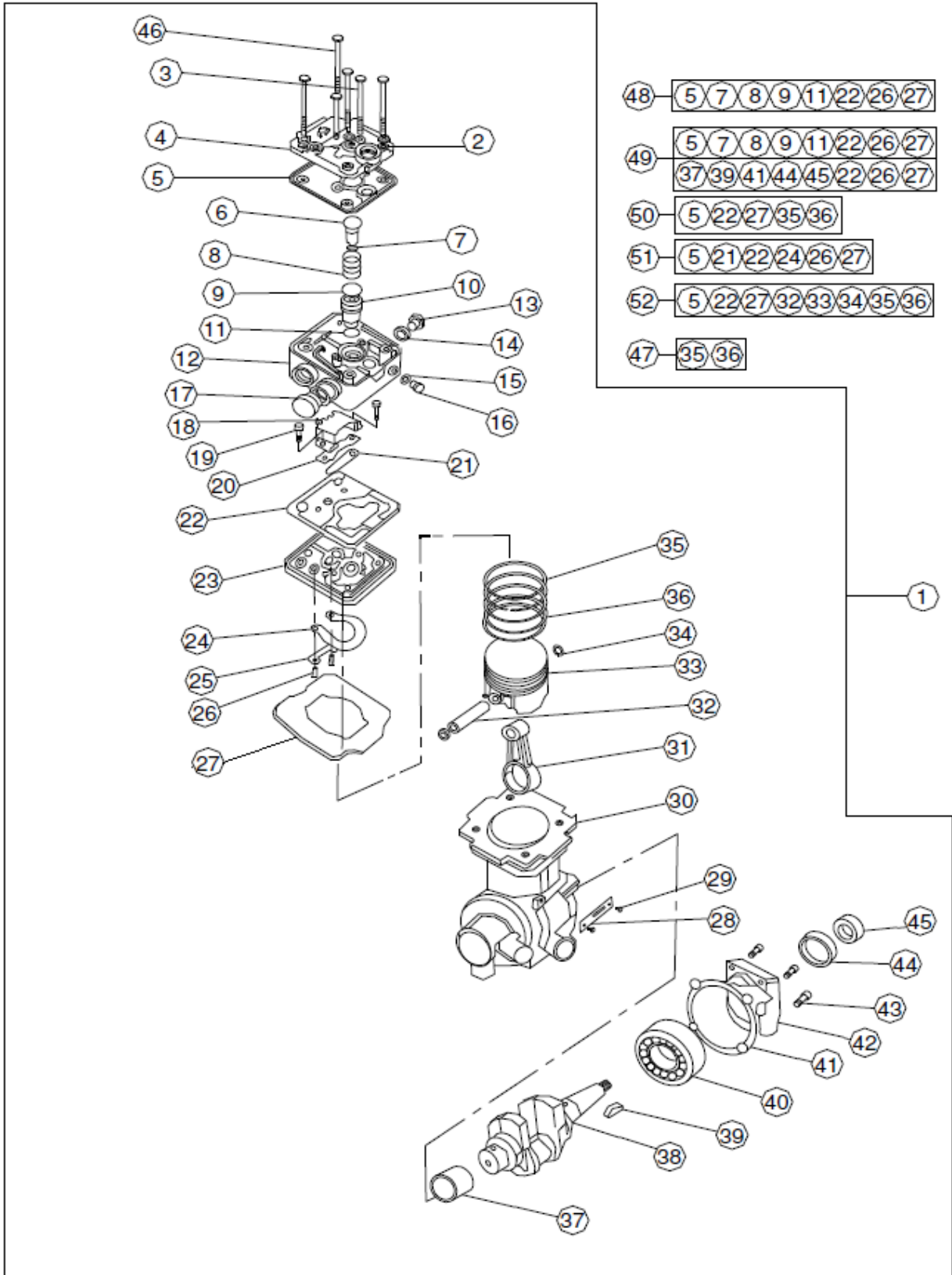
PERIPHERAL ATTACHING PARTS



F-15

ENGINE		PERIPHERAL ATTACHING PARTS		
S NO	PART NO	DESCRIPTION	QTY	REMARKS
1	C7303819E.124	STUD	3	
2	C7303819E.434	EXHAUST BEND MACHINED (TC)	1	
3	C7303819E.120	NUT FLANGE SELF LOCKING (M8X1.25)	5	
4	C7303819E.433	GASKET EXH BEND (EURO 2)	1	
5	C7303819E.463	STUD M8X40	5	
6	C7303819T.131	BOLT FLANGE (8X1.25X12) 7T	4	
7	C7303819E.426	HEAT INSULATOR EXH. BEND	1	
8	C7303819E.431	HOSE CLAMP, RADIATOR (60) 1	1	
9	C7303819E.455	HOSE TC OUT	1	
10	C7303819E.435	HOSE CLAMP	1	
11	C7303819E.440	PIPE TC IN A (15.16)	1	
12	C7303819E.436	ADAPTOR AIR HOSE(18) HCV TC	1	
13	C7303819E.441	BKT PIPE TC INLET A MTG	1	
14	C7303819E.322	BOLT FLANGE (M8X1.25X16) 7T	2	
15	C7303819E.419	CLIP HOSE (23)	2	
16	C7303819E.457	HOSE COMP AIR INLET	1	
17	C7303819E.452	ADAPTER AIR COMPRESSOR INLET	1	
18	C7303819E.453	ADAPTER M26 X 1.5	1	
19	C7303819E.458	LOCK NUT (M26)	2	
20	C7303819E.437	GASKET, EYE BOLT (DIA 26) - HCV	2	
21	C7303819E.428	COMPRESSOR OUTLET PIPE ASSY	1	
22	C7303819E.242	BOLT M10X14	2	

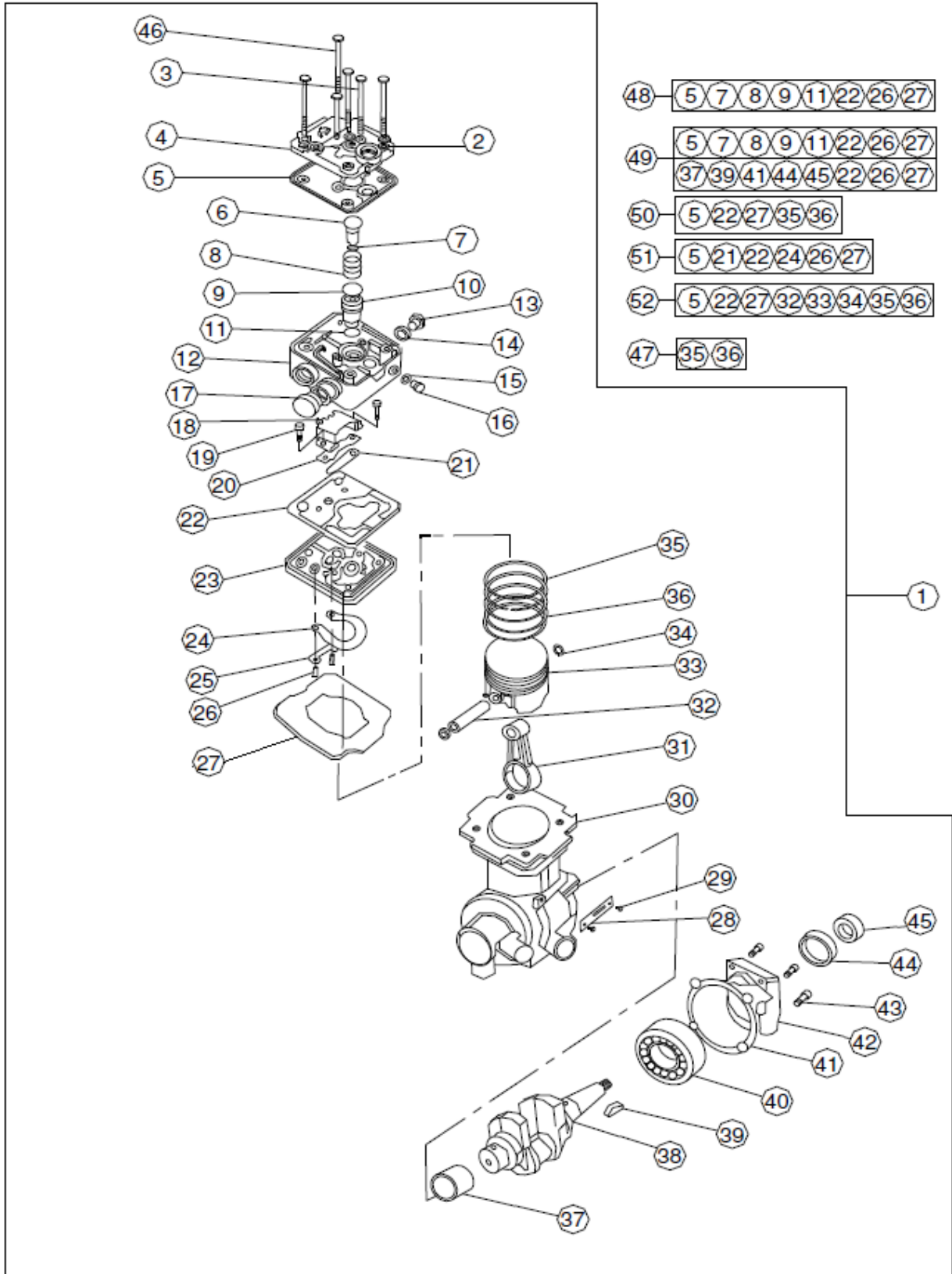
SINGLE CYLINDER COMPRESSOR (NLC)



F-15

ENGINE		SINGLE CYLINDER COMPRESSOR (NLC)		
S NO	PART NO	DESCRIPTION	QTY	REMARKS
1	C7303819E.164	COMPRESSOR ASSY.	1	
2	-	STEEL WASHER M8 NS		NS
3	-	VALVE PLATE CLAMPING BOLTM6X1X70		NS
4	-	CYLINDER HEAD COVER NS		NS
5	-	GASKET NS		NS
6	C7303819E.442	UNLOADED PLUNGER	1	
7	-	O-RING NS		NS
8	-	SPRING NS		NS
9	-	O-RING NS		NS
10	-	PLUNGER STOPPER NS		NS
11	-	O-RING NS		NS
12	C7303819E.443	CYLINDER HEAD	1	
13	-	PLUG M16 NS		NS
14	-	WASHER NS		NS
15	-	WASHER NS		NS
16	-	PLUG M12 NS		NS
17	-	PLUG M26 NS		NS
18	-	BAFFLE NS		NS
19	-	DELIVERY REED CLAMPING SCREW		NS
20	-	GOVERNER PLATE NS		NS
21	-	DELIVERY REED NS		NS
22	-	INLET GASKET NS		NS
23	-	VALVE PLATE NS		NS
24	-	INLET REED NS		NS
25	-	INLET REED CLAMP NS		NS
26	-	RIVET NS		NS
27	-	VALVE PLATE COVER NS		NS
28	-	NAME PLATE NS		NS
29	-	RIVETS FOR NAME PLATE NS		NS
30	C7303819E.444	CYLINDER BLOCK	1	
31	C7303819E.445	CONNECTING ROD	1	
32	-	GUDGEON PIN NS		NS
33	-	PISTON NS		NS
34	-	CIRCLIP NS		NS
35	-	COMPRESSION RING NS		NS
36	-	OIL CONTROL RING NS		NS
37	-	BUSH NS		NS
38	C7303819E.451	CRANK SHAFT	1	
39	-	KEY NS		NS
40	-	BALL BEARING NS		NS
41	-	END COVER GASKET NS		NS
42	-	END COVER NS		NS
43	-	HEX. HEAD SCREW-END COVER NS		NS
44	-	OIL SEAL NS		NS

SINGLE CYLINDER COMPRESSOR (NLC)

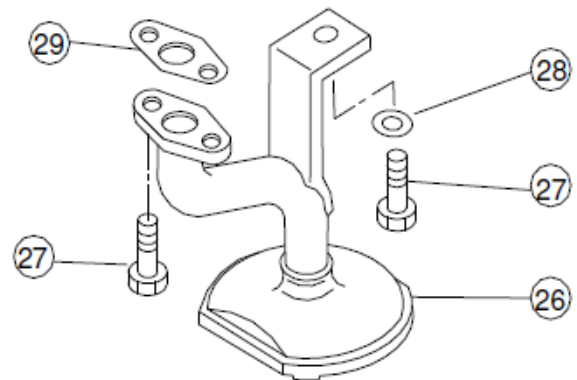
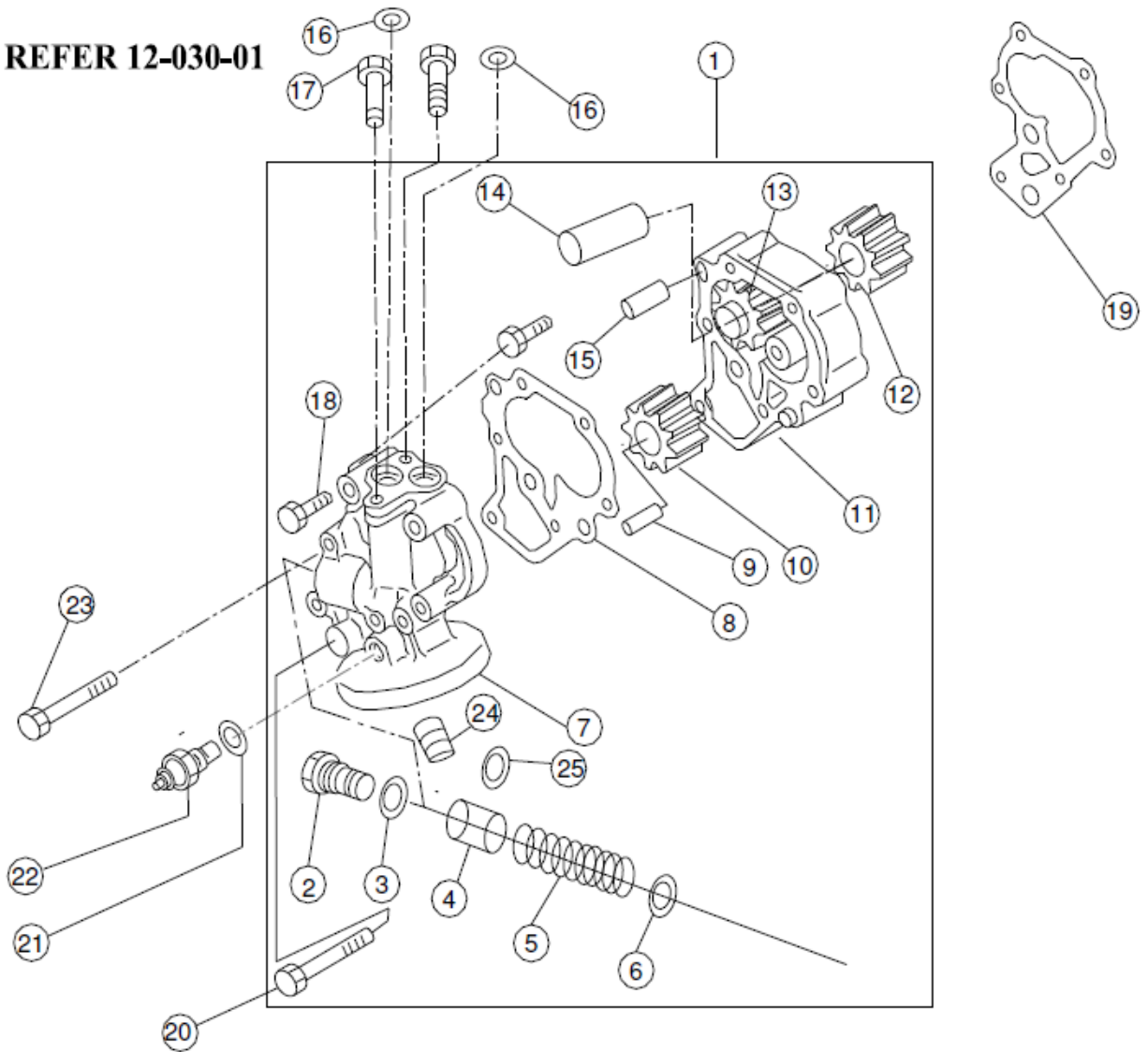


F-15

ENGINE		SINGLE CYLINDER COMPRESSOR (NLC)		
S NO	PART NO	DESCRIPTION	QTY	REMARKS
45	-	CRANK SHAFT NUT NS		NS
48	C7303819E.446	MINOR REPAIR KIT	1	
49	C7303819E.447	MAJOR REPAIR KIT	1	
50	C7303819E.450	RING SET	1	
51	C7303819E.449	READ VALVE REPAIR KIT	1	
52	C7303819E.448	PISTON REPAIR KIT	1	
53	-	BOLT NS		NS

OIL PUMP & STRAINER

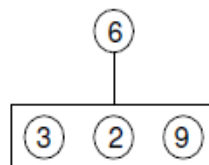
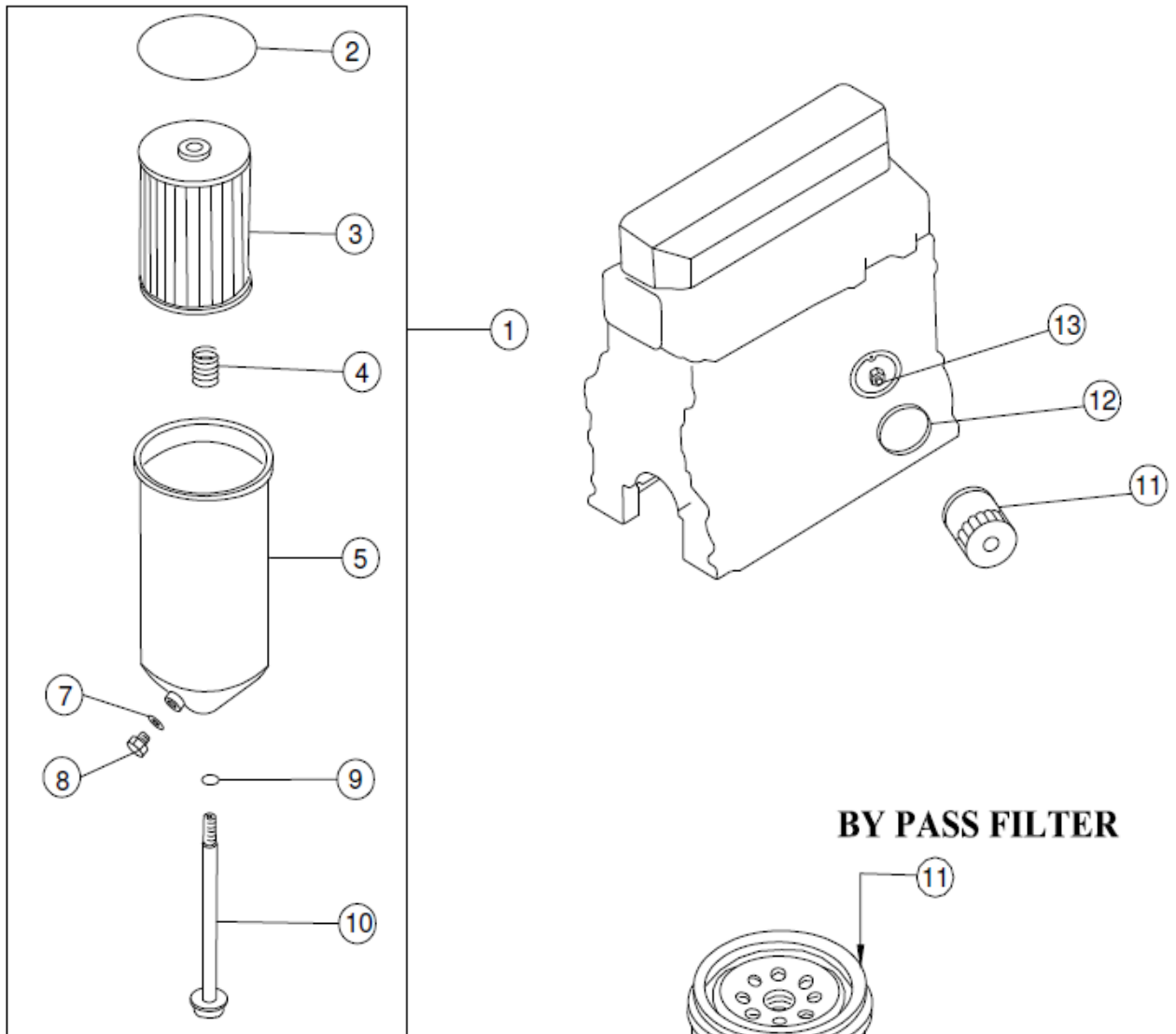
REFER 12-030-01



F-15

ENGINE		OIL PUMP & STRAINER		
S NO	PART NO	DESCRIPTION	QTY	REMARKS
1	C7303819E.070	OIL PUMP ASSY.	1	
2	C7303819E.054	VALVE HOUSING	1	NS
3	C7303819E.373	GASKET DIA.27	1	
4	C7303819E.052	VALVE,OIL PUMP RELIEF	1	NS
5	C7303819E.053	SPRINGOIL PUMP RELIEF	1	NS
6	C7303819E.055	CIRCLIP	1	NS
7	C7303819E.098	COVER, OIL PUMP	1	NS
8	C7303819E.103	GASKET OIL PUMP COVER	1	
9	C7303819E.048	SHAFT,DRIVEN GEAR	1	NS
10	C7303819E.051	GEAR, DRIVEN	1	NS
11	C7303819E.097	BODY, OIL PUMP	1	NS
12	C7303819E.050	GEAR-HEAD,OIL PUMP	1	NS
13	C7303819E.047	GEAR, DRIVE	2	NS
14	C7303819E.049	SHAFT, DRIVE	2	NS
15	C7303819E.046	PIN (DOWEL)	1	NS
16	C7303819E.402	O-RING	1	NS
17	C7303819E.323	BOLT M8x1.25x20	1	NS
18	C7303819E.056	COLLAR HEX BOLT	2	
19	C7303819E.101	GASKET, OIL PUMP	1	
20	C7303819E.057	COLLAR HEX BOLT	1	
21	C7303819E.370	GASKET DIA.16	1	
22	C7303819E.001	ALARM,OIL BY-PASS	1	
23	C7303819E.332	BOLT M8x1.25x90	6	
24	C7303819E.170	INSERT	1	NS
25	C7303819E.367	GASKET DIA.8	2	
26	C7303819E.060	STRAINER, OIL	1	
27	C7303819E.322	BOLT M8x1.25x16	27	
28	C7303819E.394	WASHER	1	
29	C7303819E.104	GASKET, OIL STRAINER	1	

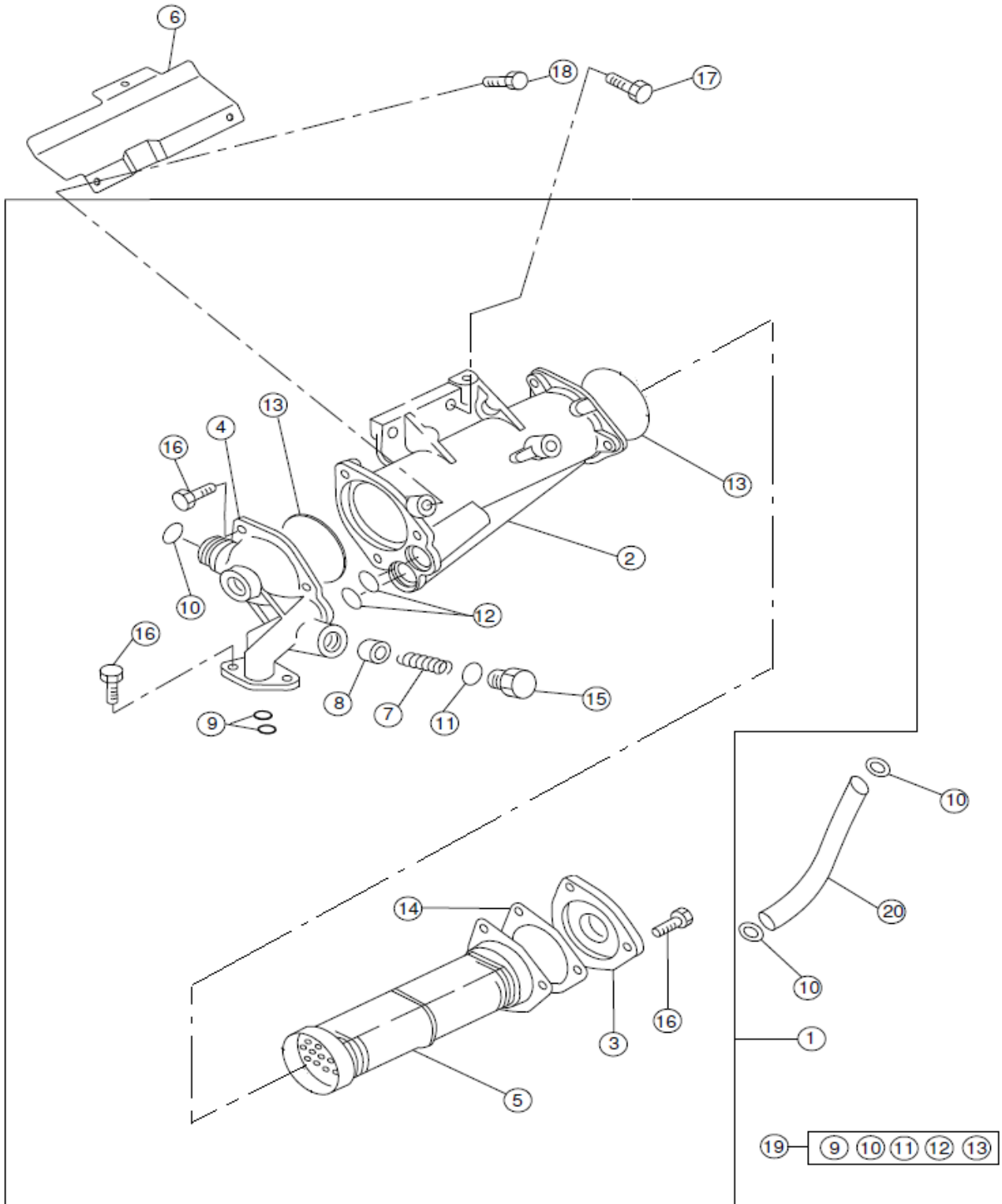
OIL FILTER



F-15

ENGINE		OIL FILTER		
S NO	PART NO	DESCRIPTION	QTY	REMARKS
1	C7303819E.036	OIL FILTER ASSY	1	
2	C7303819E.039	O-RING, OIL FILTER CASE	1	
3	-	ELEMENT, OIL FILTER	1	NS
4	C7303819E.043	SPRING, OIL FILTER ELEMENT SUPPORT	1	
5	C7303819E.037	CASE, OIL FILTER	1	
6	C7303819E.042	ELEMENT KIT, OIL FILTER	1	
7	C7303819E.044	GASKET, OIL FILTER	1	
8	C7303819E.038	PLUG DRAIN, OIL FILTER	1	
9	C7303819E.041	O- RING, OIL FILTER	1	
10	C7303819E.040	CENTER BOLT, OIL FILTER	1	
11	C7303819E.102	ASSY.BY-PASS FILTER	1	
12	C7303819E.117	O-RING, BYPASS FILTER	1	
13	C7303819E.105	UNION BY-PASS FILTER	1	

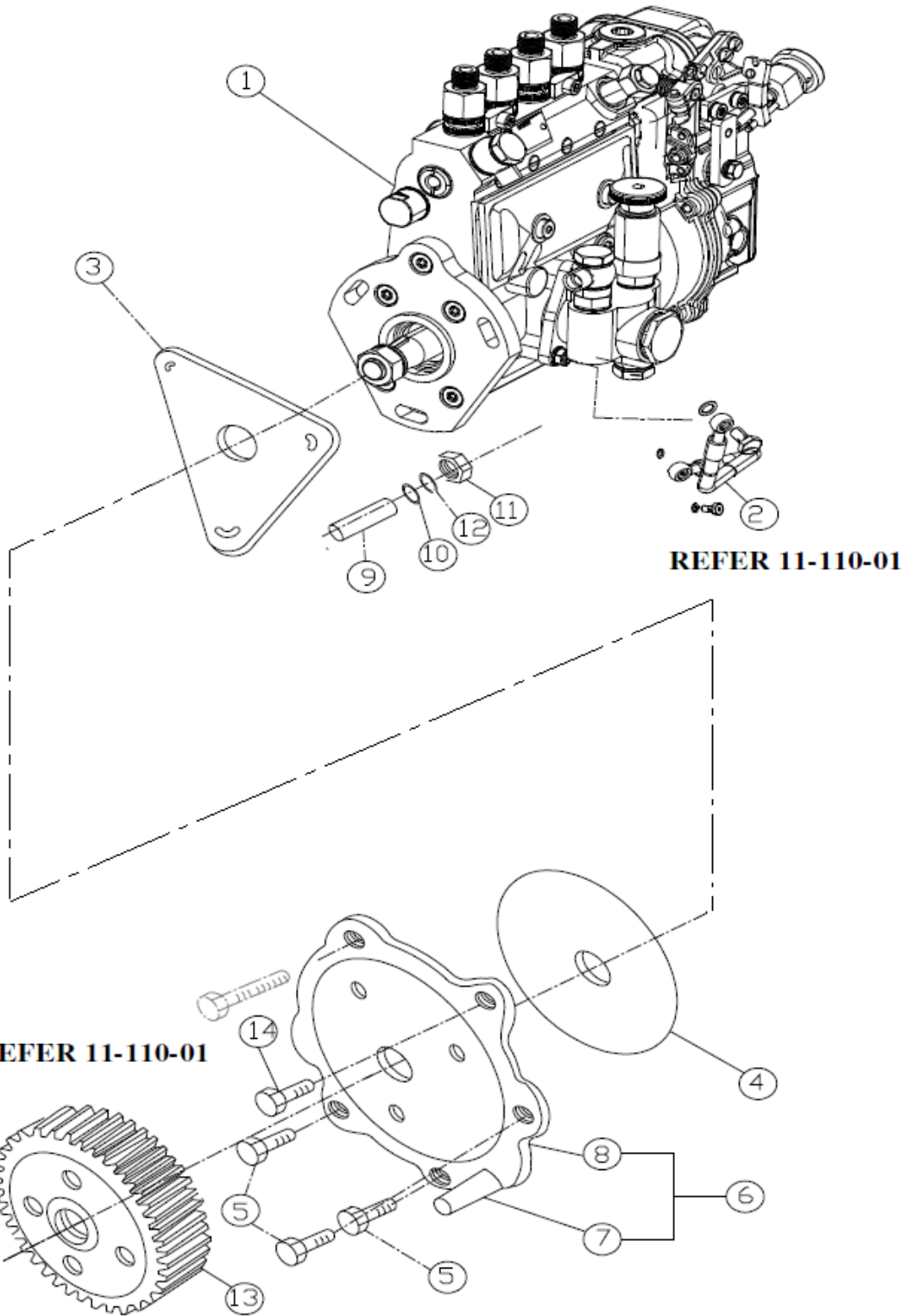
OIL COOLER



F-15

ENGINE		OIL COOLER		
S NO	PART NO	DESCRIPTION	QTY	REMARKS
1	C7303819E.289	COOLER ASSY, OIL	1	
2	C7303819E.288	BODY, ENGINE OIL COOLER	1	
3	C7303819E.286	COVER, ENGINE OIL COOLER FRONT	1	
4	C7303819E.290	COVER, ENGINE OIL COOLER REAR	1	NS
5	-	ELEMENT, ENGINE OIL COOLER	1	
6	C7303819E.277	INSULATOR, HEAT OIL COOLER	1	
7	C7303819E.313	SPRING, OIL COOLER BY- PASS VALVE	1	
8	-	VALVE, OIL COOLER BY-PASS	1	NS
9	C7303819E.402	O-RING (7499)	2	
10	C7303819E.360	O-RING (22.1) (7495)	3	
11	C7303819E.403	O-RING, ENGINE OIL COOLER	1	
12	C7303819E.404	O-RING, ENGINE OIL COOLER	2	
13	C7303819E.287	O- RING, ENGINE OIL COOLER	2	
14	C7303819E.284	GASKET, ENGINE OIL COOLER	1	
15	C7303819E.285	PLUG, ENGINE OIL COOLER	1	
16	C7303819E.323	BOLT FLANGE (M8X1.25X20)	8	
17	C7303819E.382	BOLT M10x25	2	
18	C7303819E.131	BOLT FLANGE (8X1.25X12) 7T	3	
19	C7303819E.432	OIL COOLER 'O' RING KIT	1	
20	C7303819E.459	PIPE WATER	1	

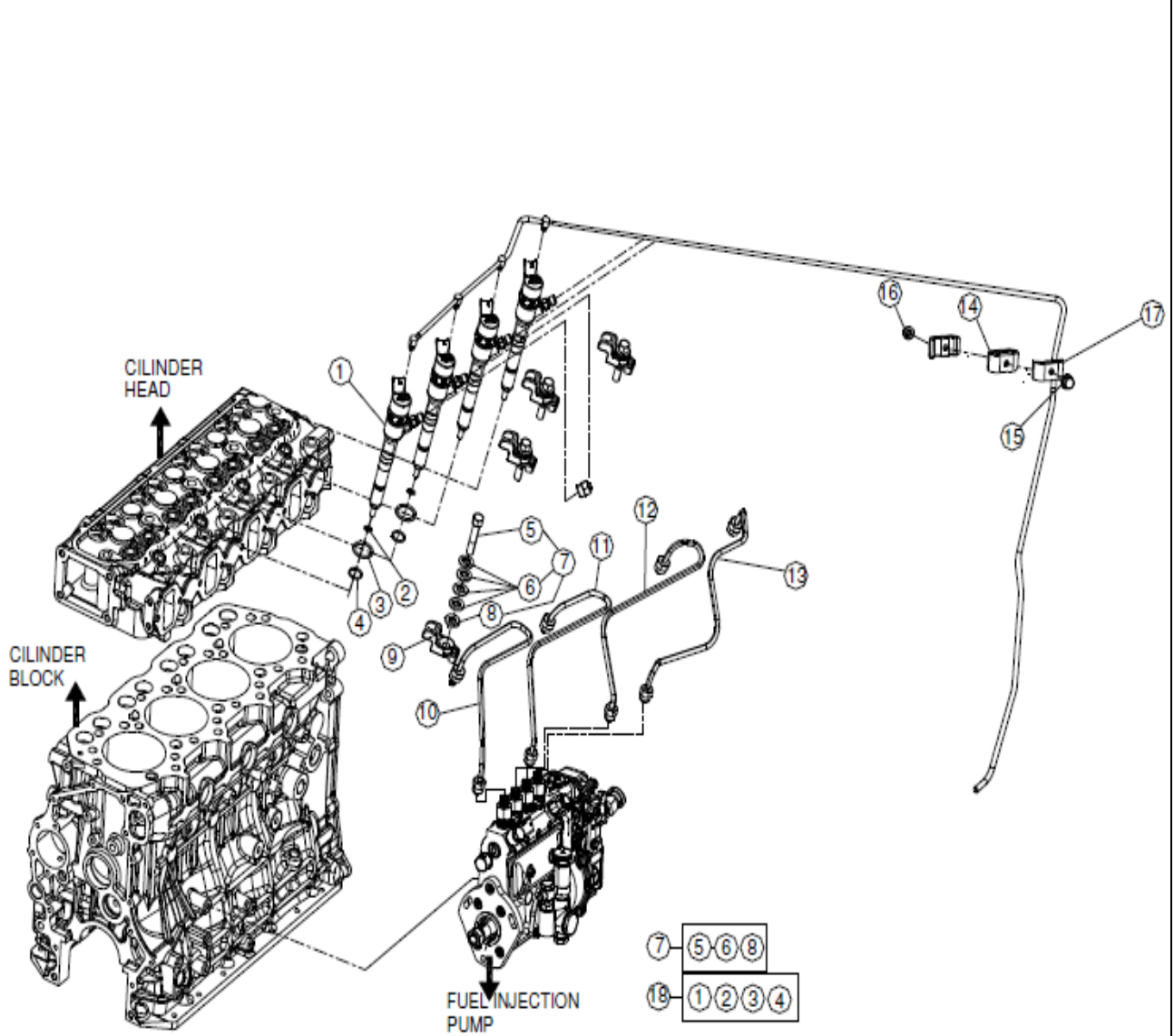
FUEL INJECTION PUMP



F-15

ENGINE		FUEL INJECTION PUMP		
S NO	PART NO	DESCRIPTION	QTY	REMARKS
1	C7303819E.209	FUEL INJECTION INLINE PUMP	1	
2	C7303819E.175	HOSE FIP LUBRICATION	1	REFER 11-110-01
3	C7303819E.107	GASKET, FLANGE PLATE	1	
4	C7303819E.361	O-RINGID=135	1	
5	C7303819E.328	BOLT M8x1.25x55	3	
6	C7303819E.202	FLANGE PLATE ASSEMBLY	1	
7	C7303819E.251	BAR, GUIDE	1	NS
8	C7303819E.201	FLANGE PLATE- FIP	1	NS
9	C7303819E.341	STUD M8x25	3	
10	C7303819E.347	PLAIN WASHER M8	3	
11	C7303819E.342	NUT M8x1.25 (3)	3	
12	C7303819E.007	WASHER SPRING M8	3	
13	C7303819E.208	FIP GEAR	1	
14	C7303819E.327	BOLT M8x1.25x50	1	

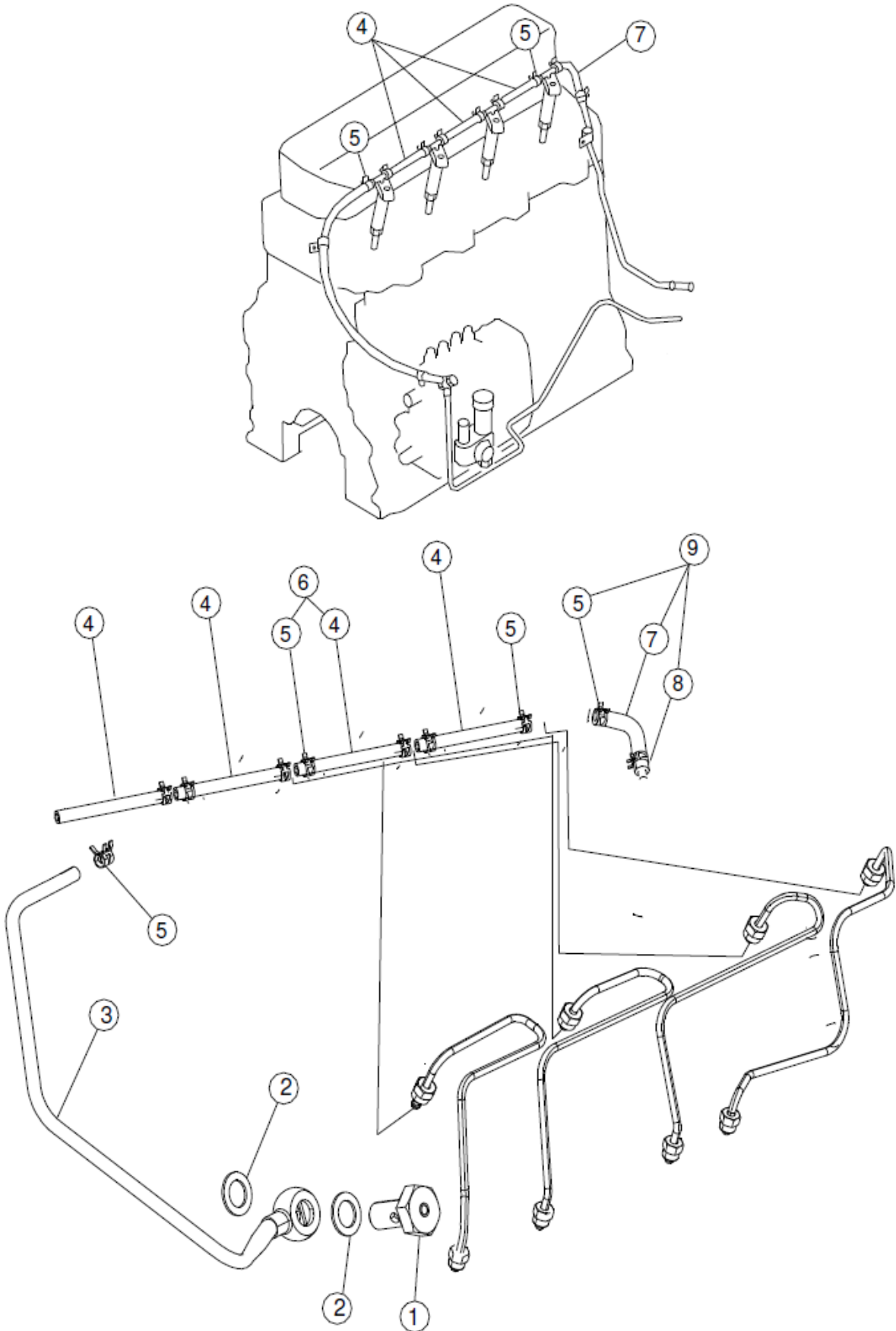
NOZZLE & HP PIPES



F-15

ENGINE		NOZZLE & HP PIPES		
S NO	PART NO	DESCRIPTION	QTY	REMARKS
1	C7303819E.210	NOZZLE & HOLDER ASSY.	4	NS
2	C7303819E.126	SHIM, NOZZLE	4	
	-	SHIM	A/R	
	-	SHIM	A/R	
	-	SHIM	A/R	NS
3	C7303819E.359	O-RING ID=15	4	
4	C7303819E.296	GASKET NOZZEL		
5	C7303819E.378	BOLT M10x50	1	NS
6	C7303819E.396	WASHER, CONED DISC	4	NS
7	C7303819E.385	BOLT,NOZZLE BRIDGE	4	
8	C7303819E.397	WASHER	2	NS
9	C7303819E.128	BRIDGE,NOZZLE	4	
10	C7303819E.204	HIGH PRESSURE PIPE ASSY	1	
11	C7303819E.205	HIGH PRESSURE PIPE ASSY	1	
12	C7303819E.206	HIGH PRSUR PIPE ASSY	1	
13	C7303819E.207	HIGH PRESSURE PIPE ASSY	1	
14	C7303819E.158	RUBBER	6	
15	C7303819E.319	BOLT M6x1x35	3	
16	C7303819E.343	NUT FL. M6X10	3	
17	C7303819E.162	PLATE	6	
18	C7303819E.210	NOZZLE & HOLDER ASSY.	1	

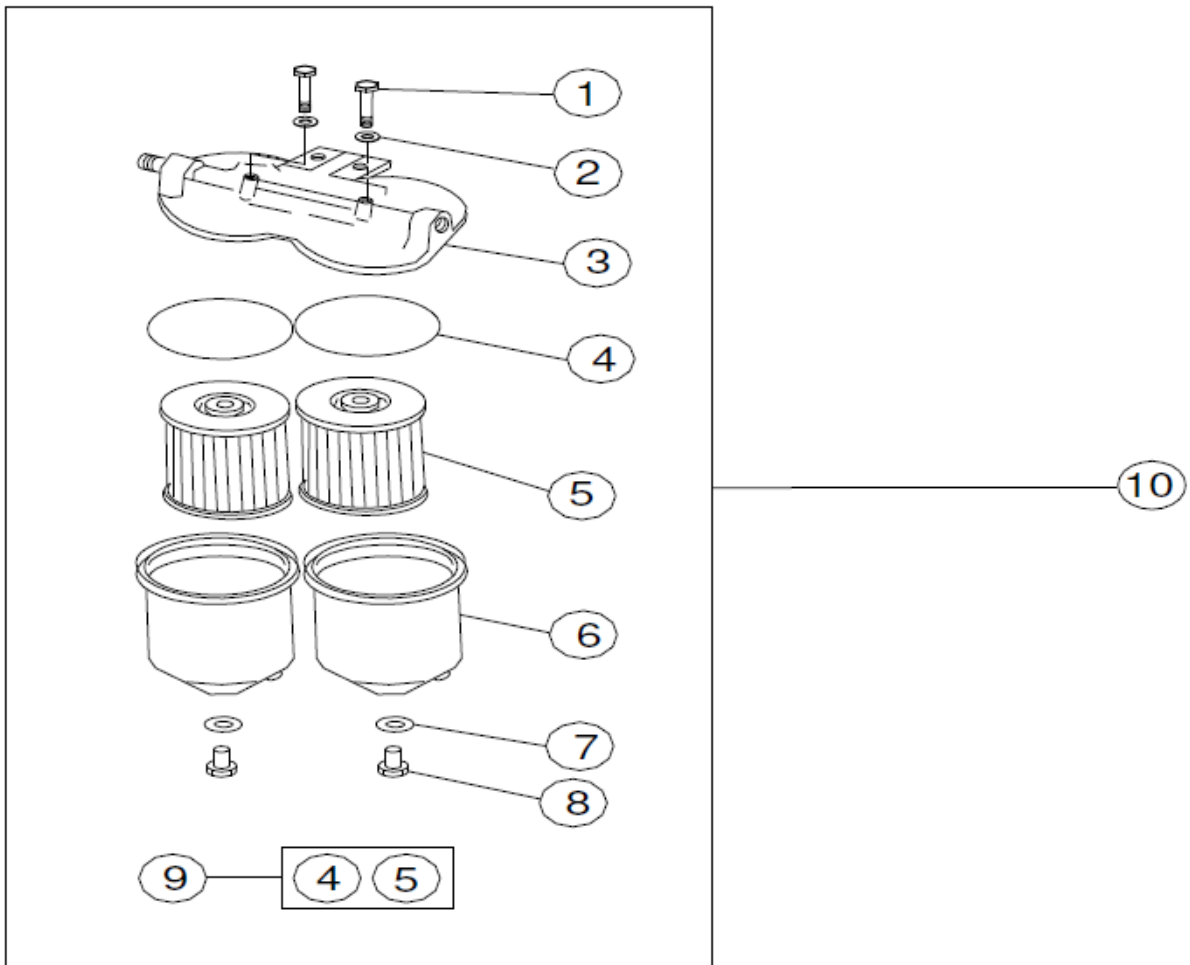
PLUMBING FUEL



F-15

ENGINE		PLUMBING FUEL		
S NO	PART NO	DESCRIPTION	QTY	REMARKS
1	C7303819E.408	BOLT EYE	1	
2	C7303819E.406	GASKETM14	2	
3	C7303819E.456	ASSY PIPE OVERFLOW	1	
4	C7303819E.134	HOSE	4	
5	C7303819E.416	CLIP	9	
6	C7303819E.075	HOSE, RETURN FUELASSY.	4	
7	C7303819E.136	HOSE, OVERFLOW	1	NS
8	C7303819E.418	CLIP HOSE	1	
9	C7303819E.142	HOSE, OVERFLOW	1	

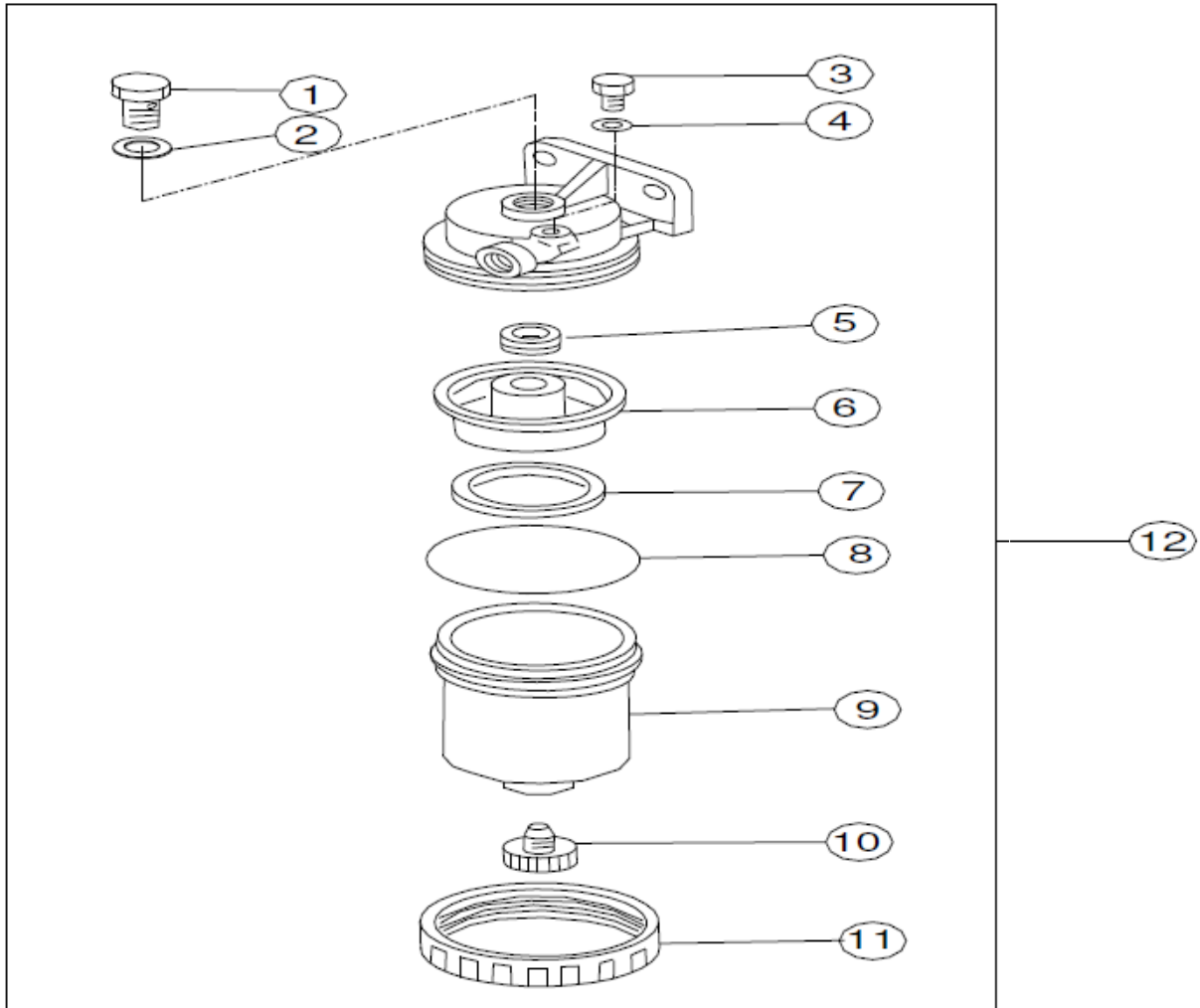
FUEL FILTER



F-15

ENGINE		FUEL FILTER		
S NO	PART NO	DESCRIPTION	QTY	REMARKS
1	C7303819E.150	HEX SCREW	2	
2	C7303819E.151	FLAT SEAL RING	2	
3	C7303819E.148	FILTER COVER	1	
4	C7303819E.149	SEALING RING	2	
5		ELEMENT FUEL FILTER	2	NS
6	C7303819E.147	FILTER HOUSING	2	
7	C7303819E.153	FLAT SEAL RING	2	
8	C7303819E.152	AIR VENT SCREW	2	
9	C7303819E.154	KIT, FUEL FILTER ELEMENT	2	
10	C7303819E.137	FILTER,FUEL	1	

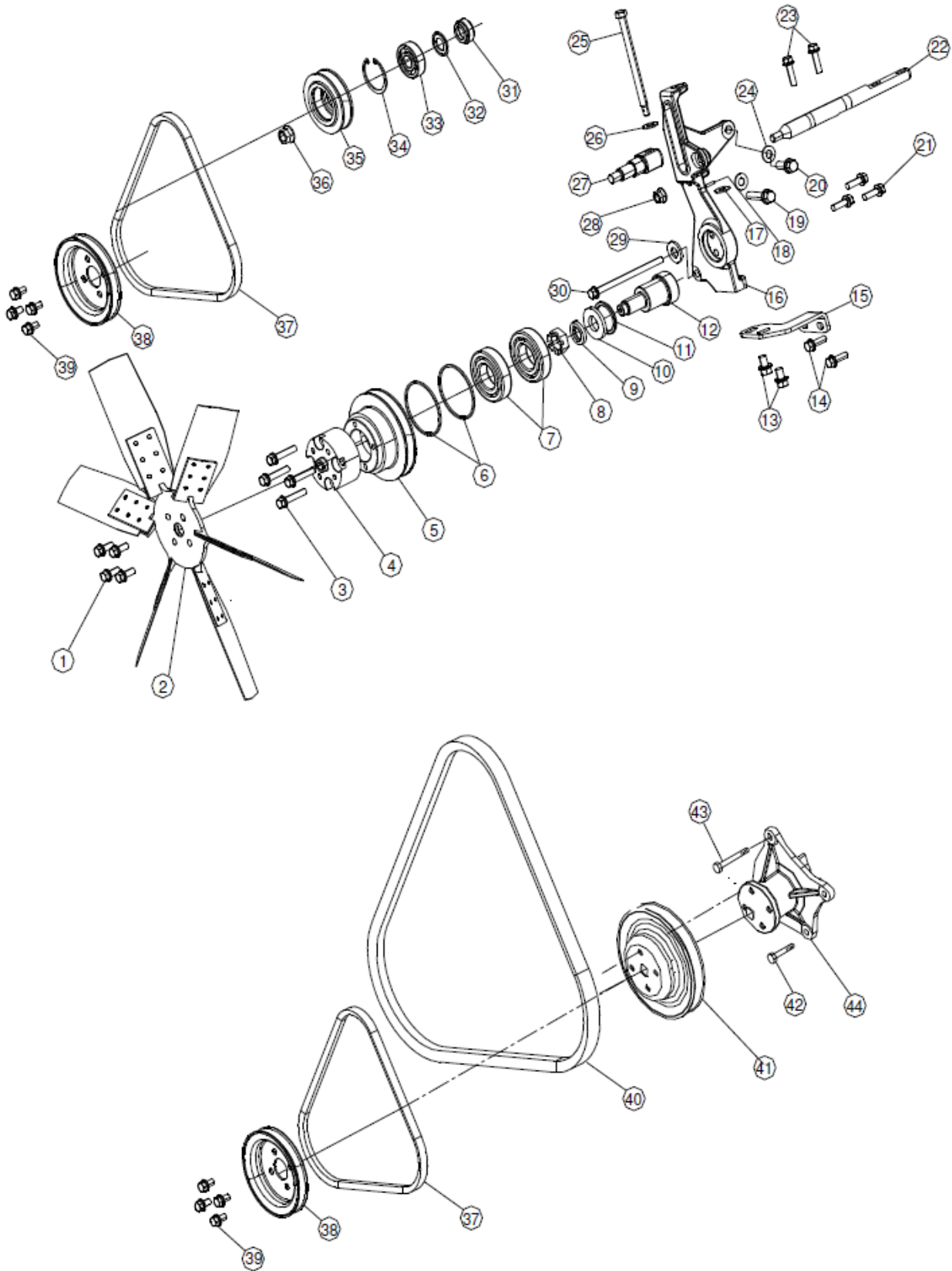
WATER SEPARATOR



F-15

ENGINE		WATER SEPARATOR		
S NO	PART NO	DESCRIPTION	QTY	REMARKS
1	C7303819E.408	BOLT EYE	2	
2	C7303819E.406	GASKETM14	4	
3	C7303819E.298	PLUG, WATERSEPARATOR INNER	1	
4	C7303819E.405	GASKETM8	1	
5	C7303819E.311	GASKET, WATER SEPERATOR INNER	1	
6	C7303819E.307	PLATE WATER SEPARATOR BAFFLE	1	
7	C7303819E.309	FLOAT, WATER SEPERATORLEVEL	1	
8	C7303819E.310	O RING WATER SEPERATOR	1	
9	C7303819E.314	CASE WATER SEPERATOR	1	
10	C7303819E.297	DRAIN PLUG	1	
11	C7303819E.308	NUT, WATER SEPERATOR	1	
12	C7303819E.298	WATER SEPARATOR ASSY	1	

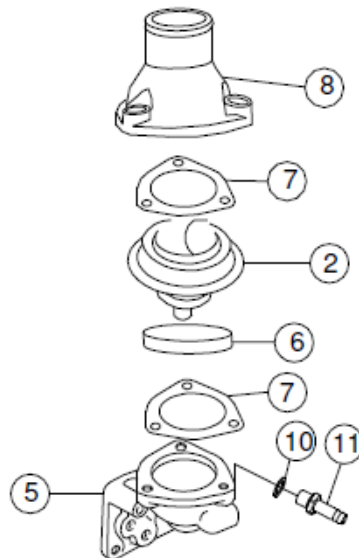
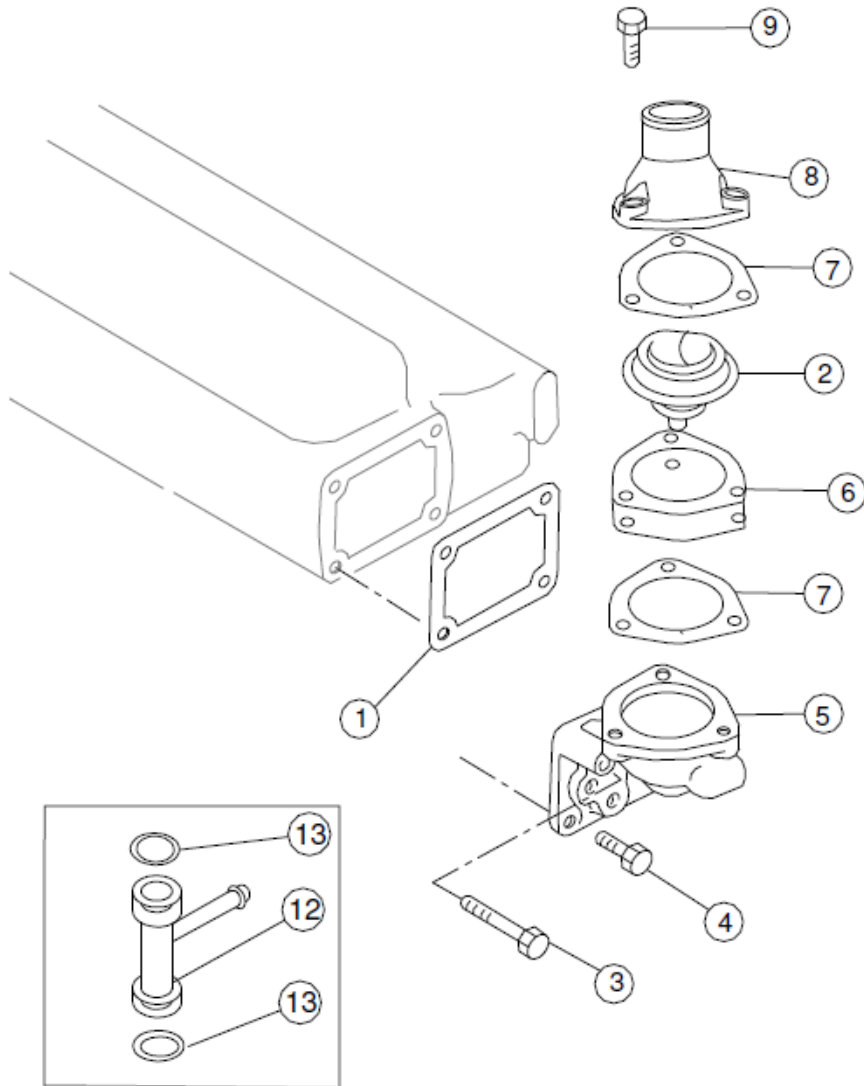
WATER PUMP & COOLING FAN



F-15

ENGINE		WATER PUMP & COOLING FAN		
S NO	PART NO	DESCRIPTION	QTY	REMARKS
1	C7303819E.334	BOLT M8x1.25x20	4	
2	C7303819E.203	RADIATOR FAN	1	
3	C7303819E.336	BOLT M8x1.25x40	4	
4	C7303819E.222	SPACER, FAN	1	
5	C7303819E.220	FAN PULLEY	1	
6	C7303819E.363	RING SNAP	2	
7	C7303819E.191	FAG BEARING	2	
8	C7303819E.004	NUT,SLOTTED-M20x1.5	1	
9	C7303819E.352	WASHER SPRING 6.1x5.1	1	
10	C7303819E.223	WASHER, FAN DRIVE FRONT	1	
11	C7303819E.197	SPACER	1	
12	C7303819E.224	SHAFT FAN DRIVE	1	
13	C7303819E.242	BOLT FLANGE M10x1.25x14	2	
14	C7303819E.335	BOLT M8X1.25 X25	5	
15	C7303819E.226	SUPPORT BKT	1	
16	C7303819E.227	MOUNTING BRACKET FAN ASSEMBLY	1	
17	C7303819E.340	WASHER PLANM10	2	
18	C7303819E.355	PIN SPRINGDIA.3x16	1	
19	C7303819E.384	BOLT M10x42	1	
20	C7303819E.382	BOLT M10x25	1	
21	C7303819E.335	BOLT M8x1.25x25	5	
22	C7303819E.225	MOUNTING ROD	1	
23	C7303819E.325	BOLT M8x1.25x30	2	
24	C7303819E.348	PLAIN WASHER M10	2	
25	C7303819E.219	BOLT (M10x1.5x140)	1	
26	C7303819E.340	WASHER PLAINM10	2	
27	C7303819E.217	SHAFT TENSIONER PULLEY	1	
28	C7303819E.345	NUT FL. M10x1.25	1	
29	C7303819E.247	WASHER STEERING COLUMN	1	
30	C7303819E.193	BOLT FLANGE(M8x1.25x125x7T)	1	
31	C7303819E.176	SPACER FAN DRIVE	1	
32	C7303819E.185	PLAIN WASHER	1	
33	C7303819E.144	BEARING,BALL	1	
34	C7303819E.362	RING SNAP	1	
35	C7303819E.216	IDLER PULLEY	1	
36	C7303819E.346	NUT FL. M12x1.25	1	
37	C7303819E.221	BELT, V	1	
38	C7303819E.218	PULLEY WATER PUMP	1	
39	C7303819E.244	BOLT FLANGE	4	
40	C7303819E.192	MAIN ENGINE BELT(Limo)	1	
41	C7303819E.189	PULLEY, WATER PUMP	1	
42	C7303819E.323	BOLT M8x1.25x20	2	
43	C7303819E.331	BOLT M8x1.25x80	2	
44	C7303819E.194	WATER PUMP ASSY	1	

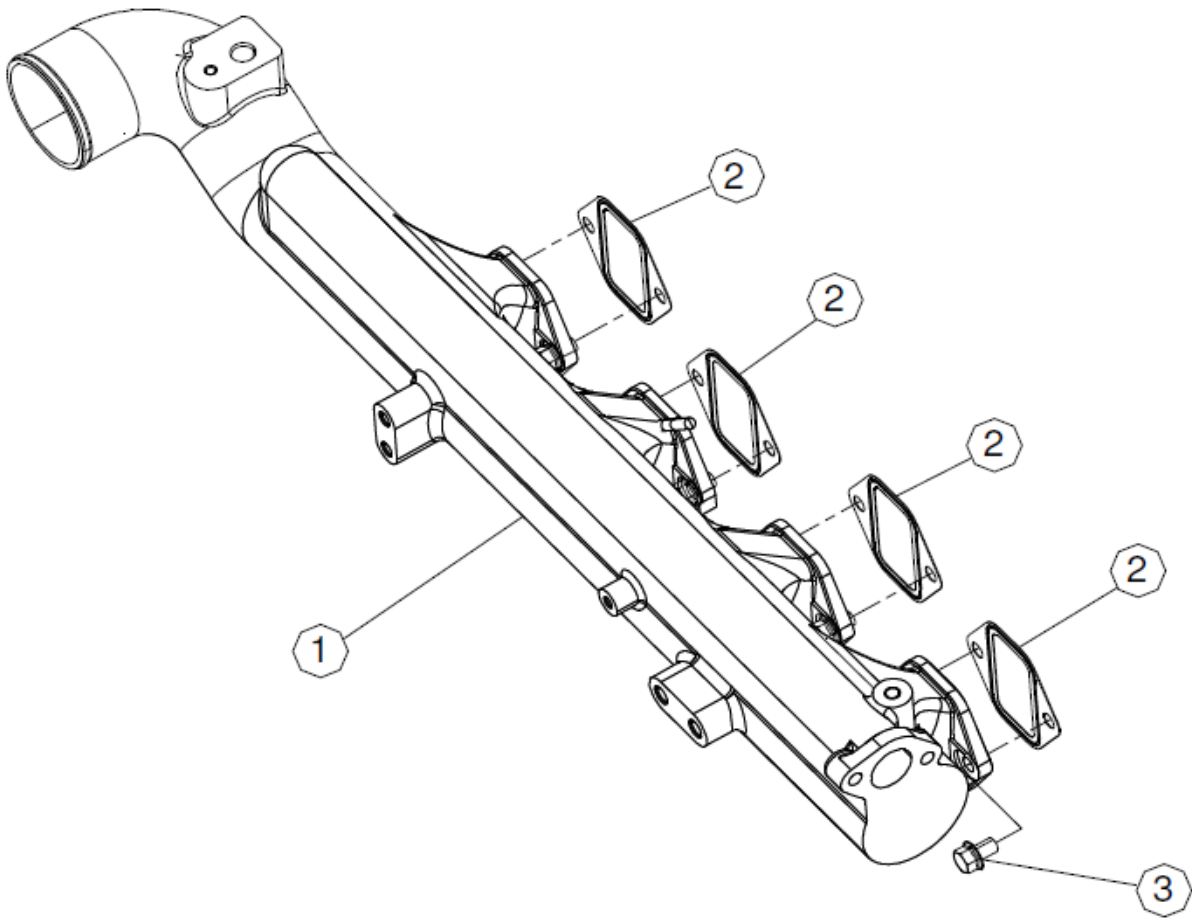
THERMOSTAT



F-15

ENGINE		THERMOSTAT		
S NO	PART NO	DESCRIPTION	QTY	REMARKS
1	C7303819E.293	GASKET, THERMOSTAT CASE	1	
2	C7303819E.045	THERMOSTATE	1	
3	C7303819E.381	BOLT , FLANGEM10x1.5x65	2	
4	C7303819E.382	BOLT M10x25	1	
5	C7303819E.080	MODIFIED CASE THERMOSTAT	1	
6	C7303819E.138	SPACER THERMOSTAT	1	
7	C7303819E.294	GASKET	2	
8	C7303819E.211	COVER, THERMOSTAT	1	
9	C7303819E.328	BOLT M8x1.25x55	3	
10	C7303819E.407	GASKETM16	1	
11	C7303819E.077	ADAPTOR WATER I/O - MCV/A BRAKE/TC/HCV	1	
12	C7303819E.111	PIPE- BYPASSMODIFIED, MCV	1	
13	C7303819E.179	O-RING	2	

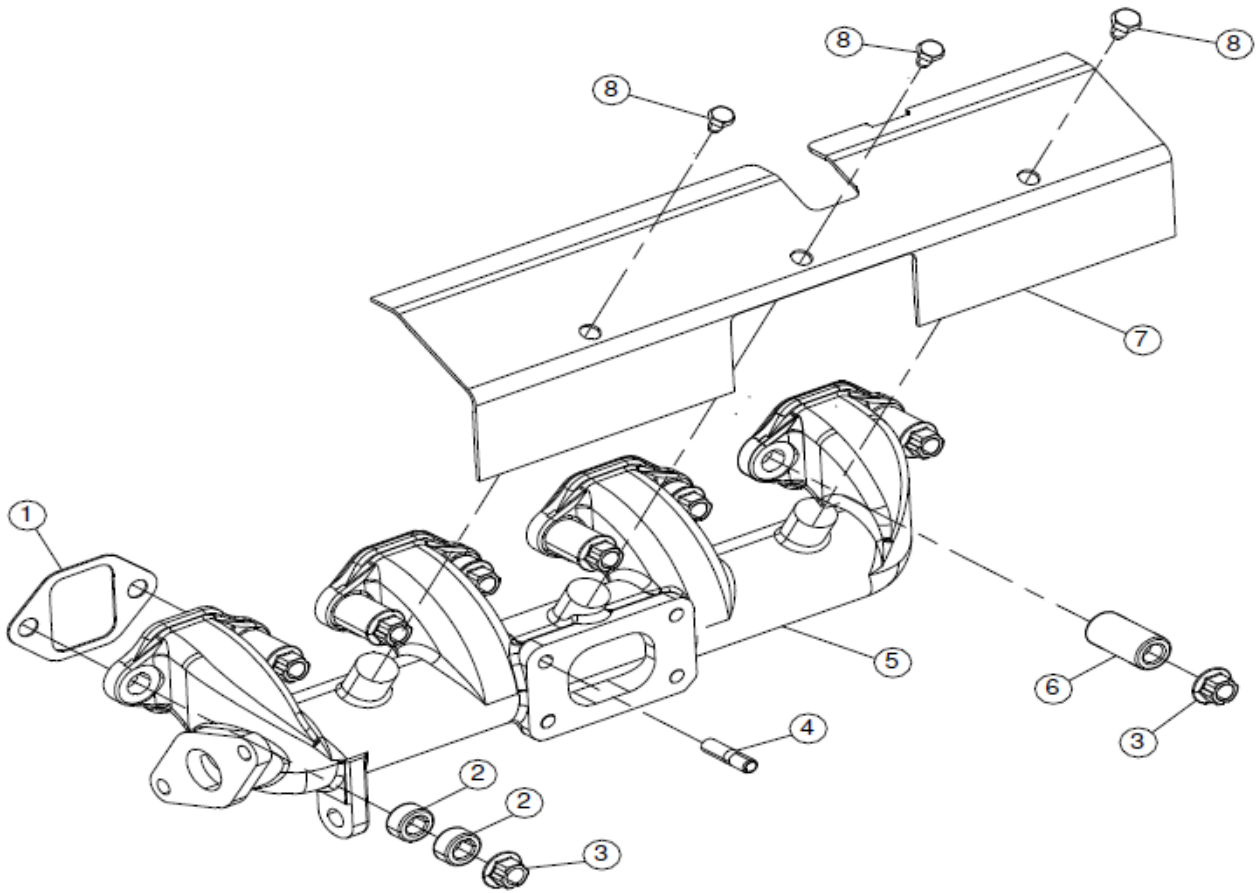
INLET MANIFOLD



F-15

ENGINE		INLET MANIFOLD		
S NO	PART NO	DESCRIPTION	QTY	REMARKS
1	C7303819E.228	MANIFOLD,INLET	1	
2	C7303819E.277	GASKET,INLET MANIFOLD	4	
3	C7303819E.323	BOLT M8x1.25x20	8	

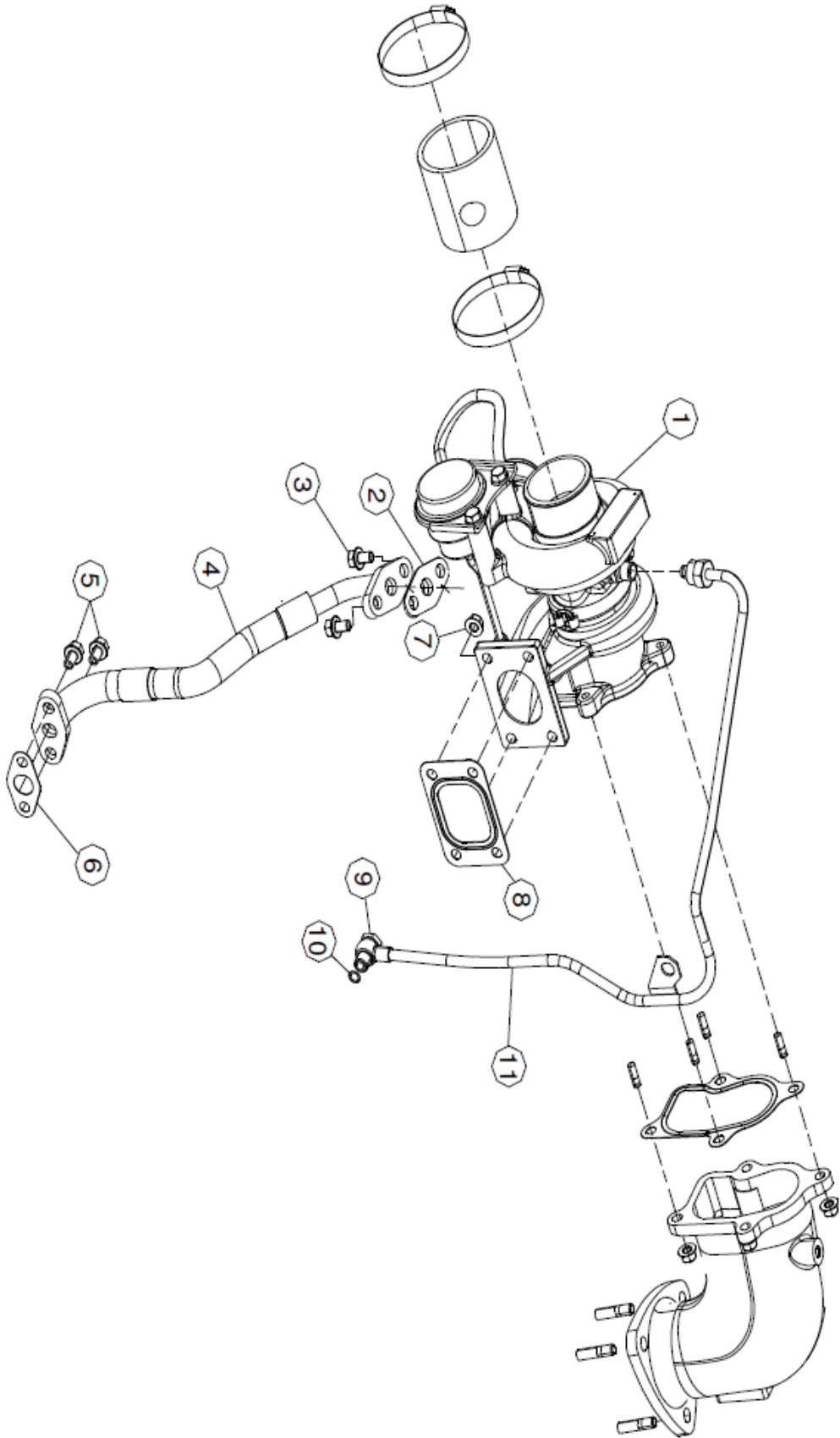
EXHAUST MANIFOLD



F-15

ENGINE		EXHAUST MANIFOLD		
S NO	PART NO	DESCRIPTION	QTY	REMARKS
1	C7303819E.280	GASKET, EXHAUST MANIFOLD	4	
2	C7303819E.393	NUT SELF LOCK FLANGE M10x1.5	8	
3	C7303819E.125	SPACER (SHORT), EXHAUST MANIFOLD	4	
4	C7303819E.133	STUD	4	
5	C7303819E.156	EXHAUST MANIFOLD	1	
6	C7303819E.108	SPACER, EXHAUST MANIFOLD	5	
7	C7303819E.121	HEAT INSULATOR,EXH. MANIFOLD TC	1	
8	C7303819E.377	BOLT	3	

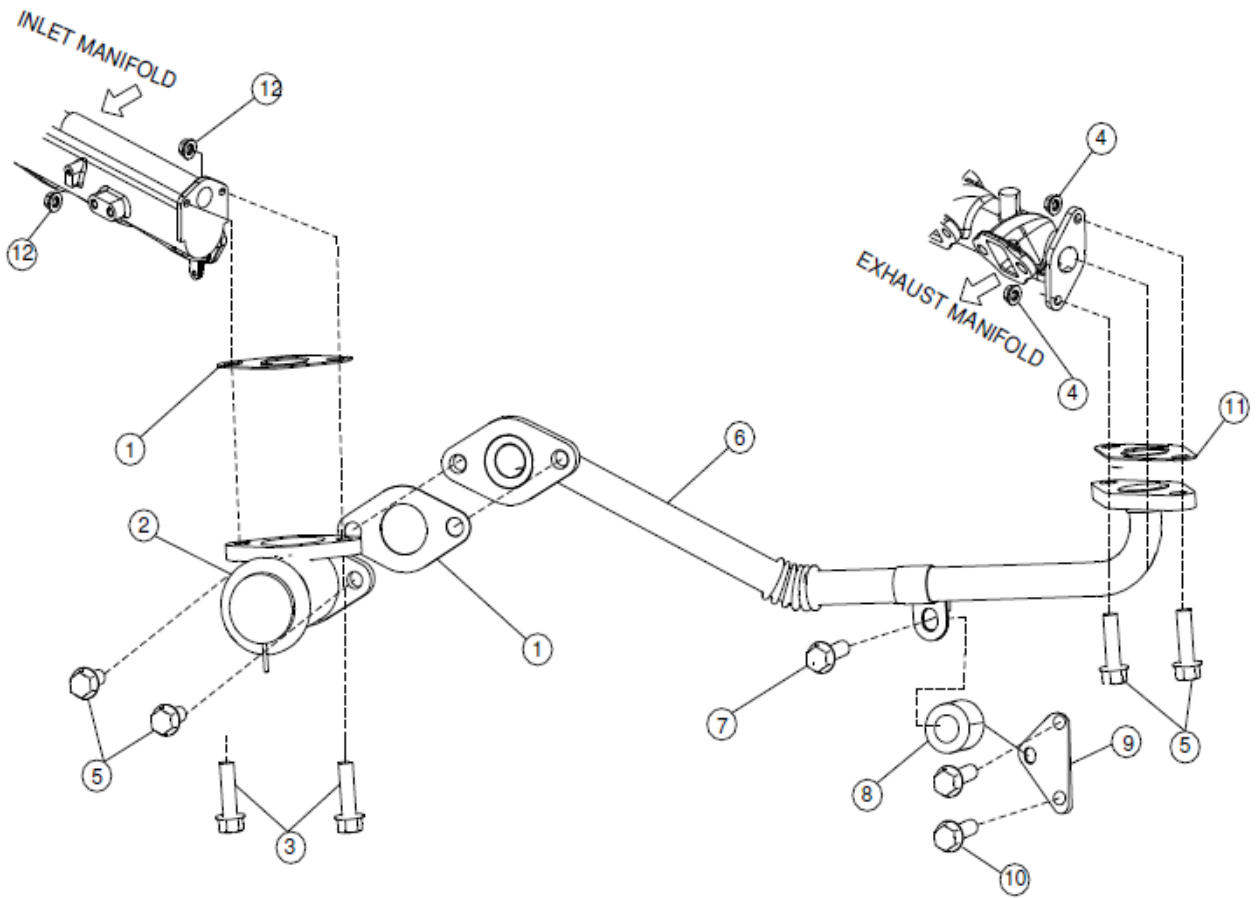
TURBOCHARGER



F-15

ENGINE		TURBOCHARGER		
S NO	PART NO	DESCRIPTION	QTY	REMARKS
1	C7303819E.215	TURBOCHARGERCEVIII	1	
2	C7303819E.198	GASKET,TC OIL DRAIN	1	
3	C7303819E.061	BOLT M6x1x16	2	
4	C7303819E.231	ASSY PIPE OIL DRAIN TURBOCHARGER	1	
5	C7303819E.323	BOLT M8x1.25x20	2	
6	C7303819E.283	GASKET,OIL STRAINER	1	
7	C7303819E.120	NUT SELF LOCK(M8x1.25)	4	
8	C7303819E.178	GASKET EXHAUST MANIFOLD	1	
9	C7303819E.116	BOLT, EYE	1	
10	C7303819E.369	GASKET DIA.12	2	
11	C7303819E.190	PIPE OIL SUPPLY, TC	1	

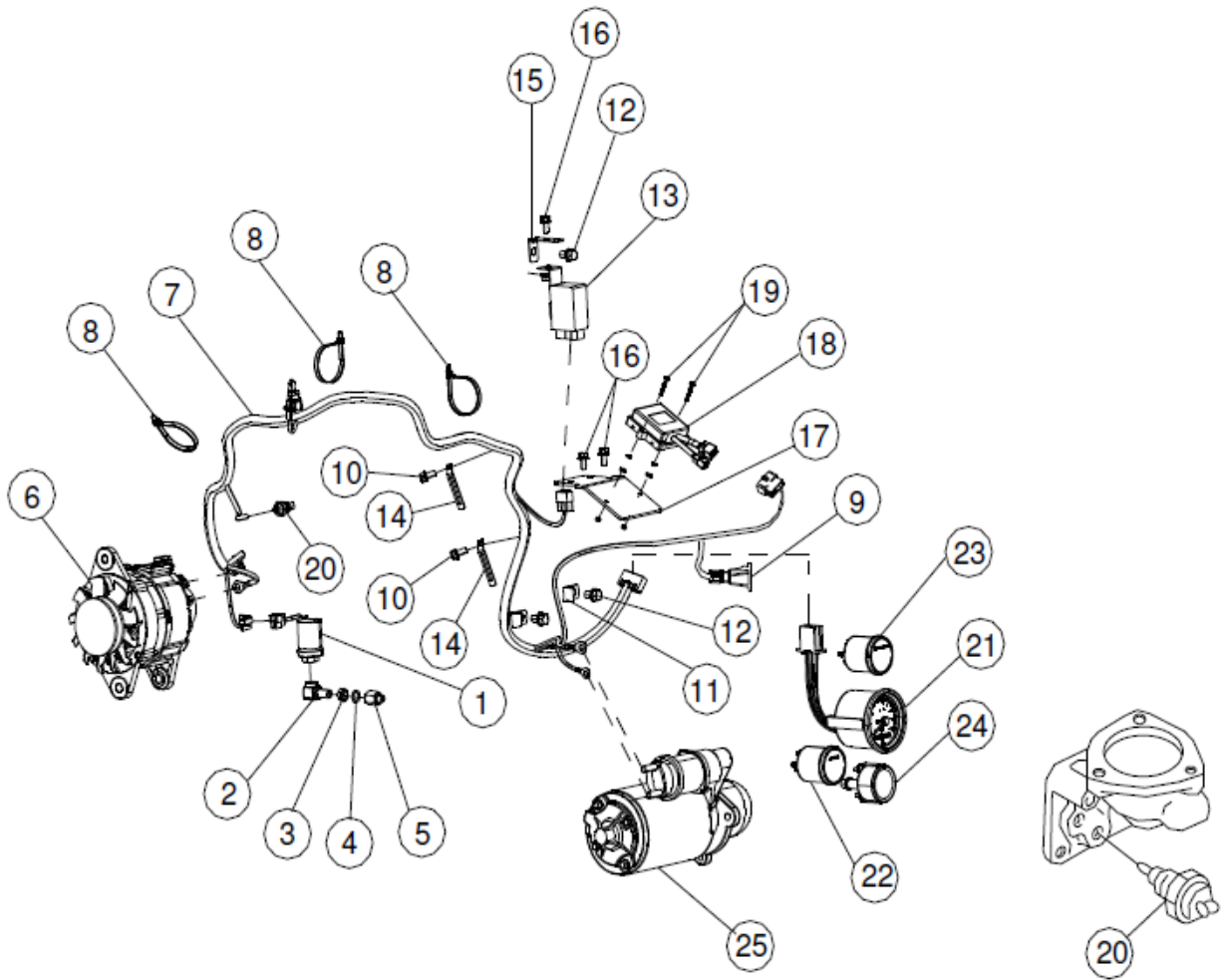
EGR SYSTEM



F-15

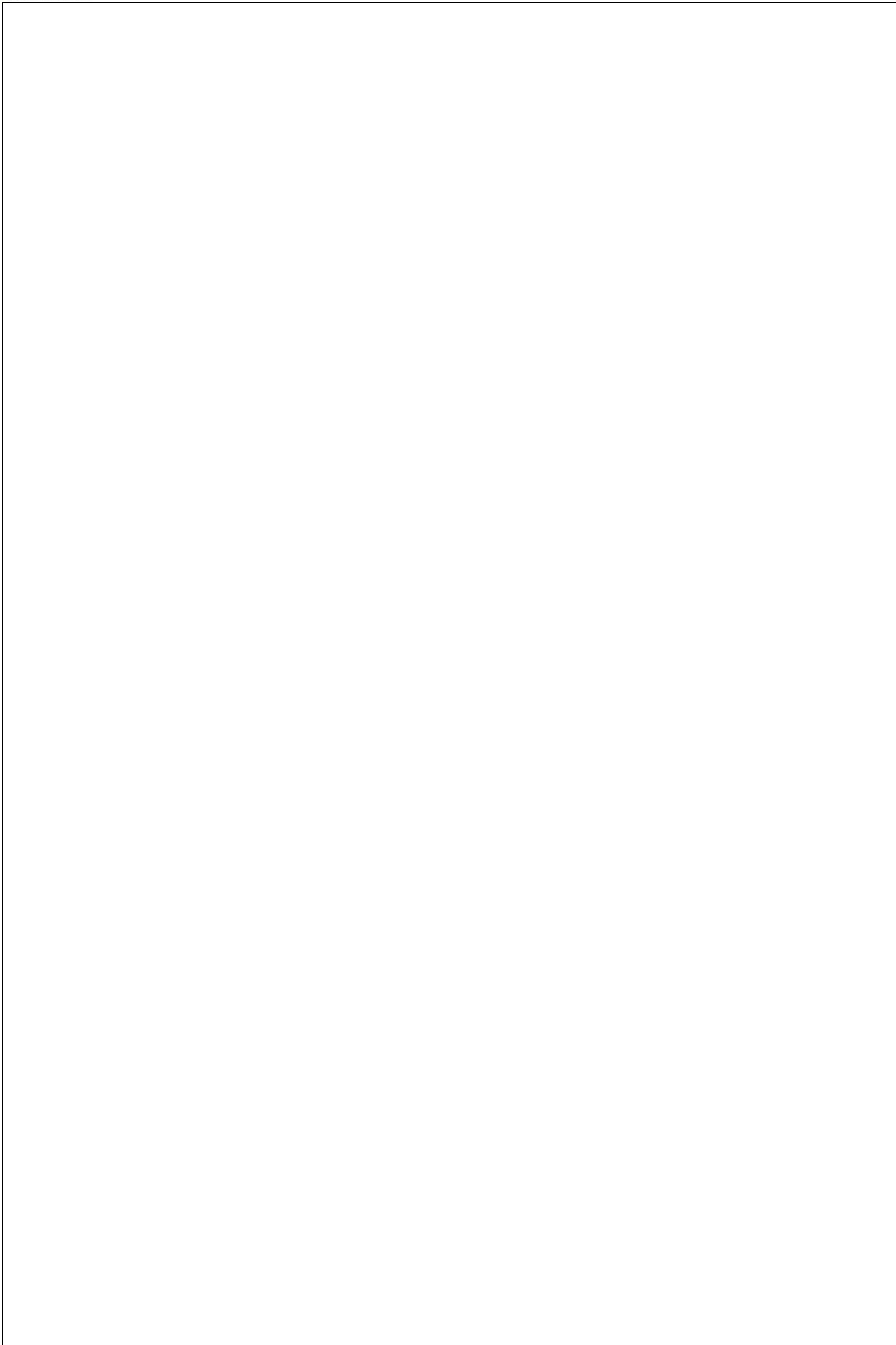
ENGINE		EGR SYSTEM		
S NO	PART NO	DESCRIPTION	QTY	REMARKS
1	C7303819E.438	GASKET, EGR PIPE	2	
2	C7303819E.427	EGR VALVE	1	
3	C7303819E.323	BOLT M8x1.25x20	2	
4	C7303819E.344	NUT FL. M8X1.25	4	
5	C7303819E.461	BOLT M8x1.25x28	4	
6	C7303819E.430	EGR PIPE OD 18 MM	1	
7	C7303819E.462	BOLT M8x1.25x35	1	
8	C7303819E.108	SPACER, EXHAUST MANIFOLD	1	
9	C7303819E.454	SUPPORT BRACKETEGRPIPE	1	
10	C7303819E.460	BOLT M8x1.25x22	2	
11	C7303819E.439	GASKET, EGR PIPE	1	
12	C7303819E.120	NUT SELF LOCK (M8X1.25)	2	

ELECTRICAL



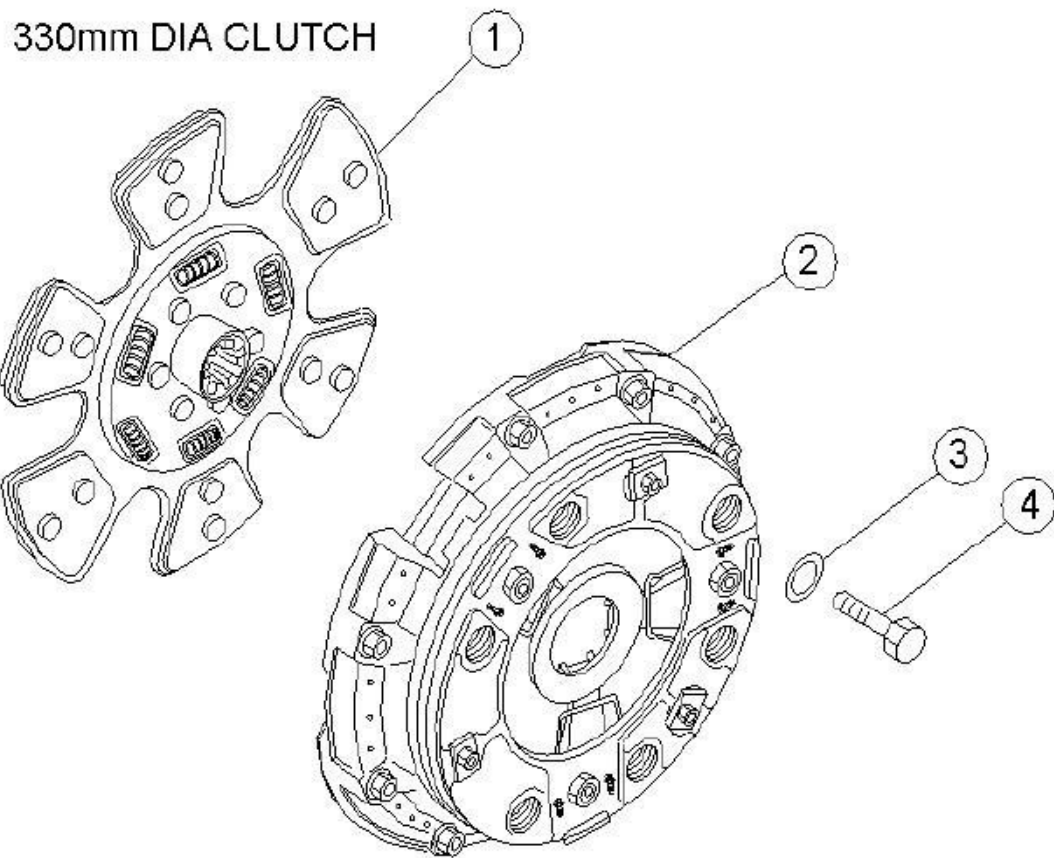
F-15

ENGINE		ELECTRICAL		
S NO	PART NO	DESCRIPTION	QTY	REMARKS
1	C7303819E.146	PRESSURE TRANSDUCERBIPOLAR 12V/24V	1	
2	C7303819E.235	ADAPTOR, OIL PRESSURE SENSOR	1	
3	C7303819E.065	NUT JAM M12x1.25	1	
4	C7303819E.369	GASKET DIA.12	1	
5	C7303819E.169	TAPER PLUG	1	
6	C7303819E.238	ALTERNATOR-24 V,75 AWITH VACUUM PUMP	1	
7	C7303819E.239	HARNESS,CEV III (24 V)-4 CYL. CRANE	1	
8	C7303819E.246	BANDCLIP	3	
9	C7303819E.357	CLIP	1	
10	C7303819E.320	BOLT M6x1.0x8	1	
11	C7303819E.245	CLIP	2	
12	C7303819E.379	BOLT M10x16	3	
13	C7303819E.145	DC-DC CONVERTER	1	
14	C7303819E.344	NUT FL. M8X1.25	1	
15	C7303819E.232	BRACKET_HARNESS_CLAMP_4	1	
16	C7303819E.322	BOLT M8x1.25x16	3	
17	C7303819E.234	ASSY., BKT.- EGR-ECU MTG	1	
18	C7303819E.233	ECU,EGR (12 V) -CEV III ENGINE	1	
19	C7303819E.414	SCREW WASHER ASSY.	2	
20	C7303819E.019	TEMP. SENSOR UNIT	1	
21	C7303819E.236	RPM CUM HOUR METER- 24 V	1	
22	C7303819E.161	AMMETER - 24 V	1	
23	C7303819E.160	GAUGE,OIL PRESSURE-24 V	1	
24	C7303819E.237	GAUGE,TEMPERATURE-24 V	1	
25	C7303819E.130	STARTER, ASSY	1	



TRANSMISSION

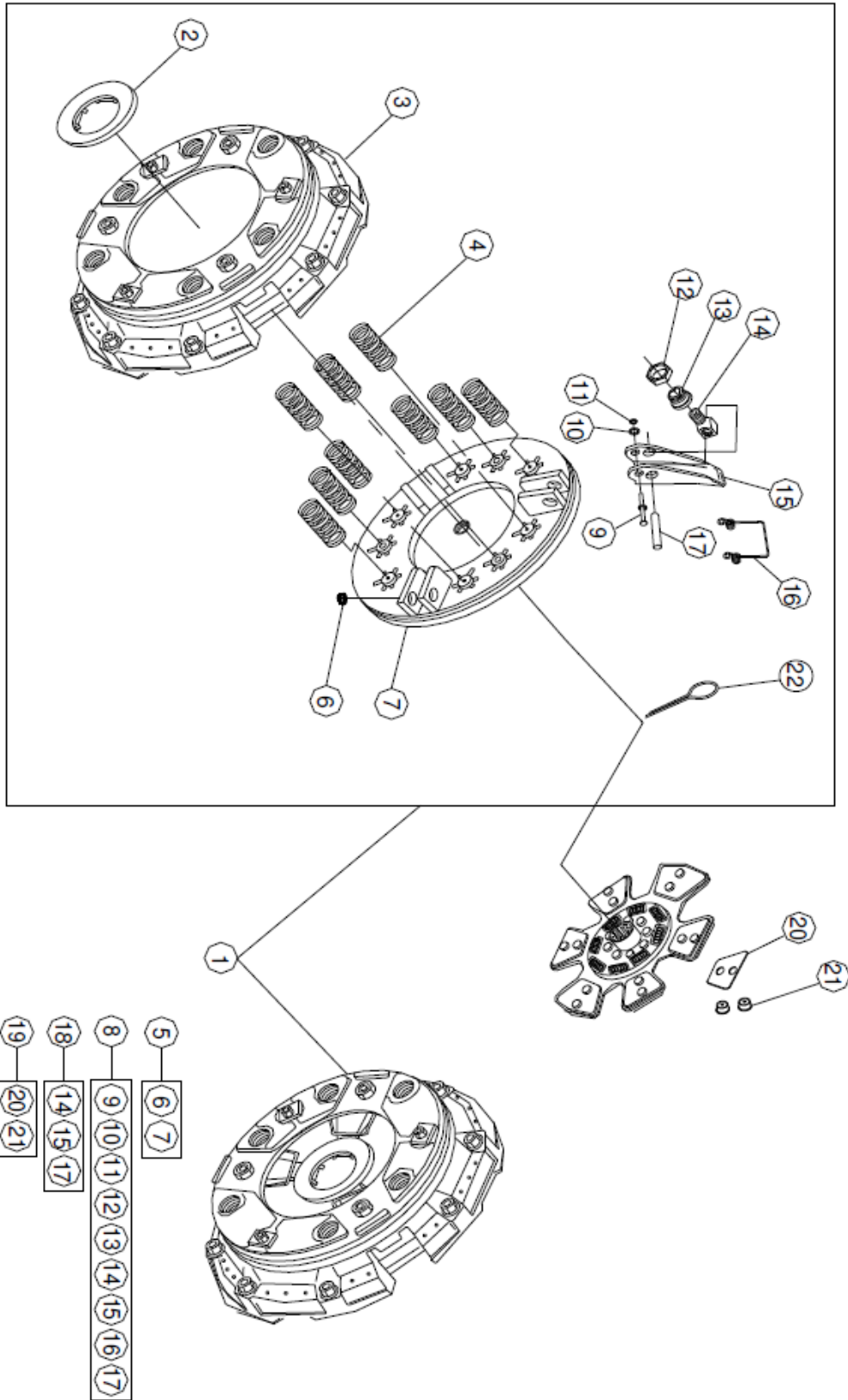
CLUTCH (VE)



F-15

TRANSMISSION		CLUTCH (VE)		
S NO	PART NO	DESCRIPTION	QTY	REMARKS
1	C7303819T.084	DISC ASSY CLUTCH (GUJARAT SETCO)	1	
2	C7303819T.085	COVER ASSY. CLUTCH (330MM DIA)	1	
3	C7303819E.007	WASHER SPRING M8	9	
4	C7303819E.328	BOLT M8X1.25X55	9	

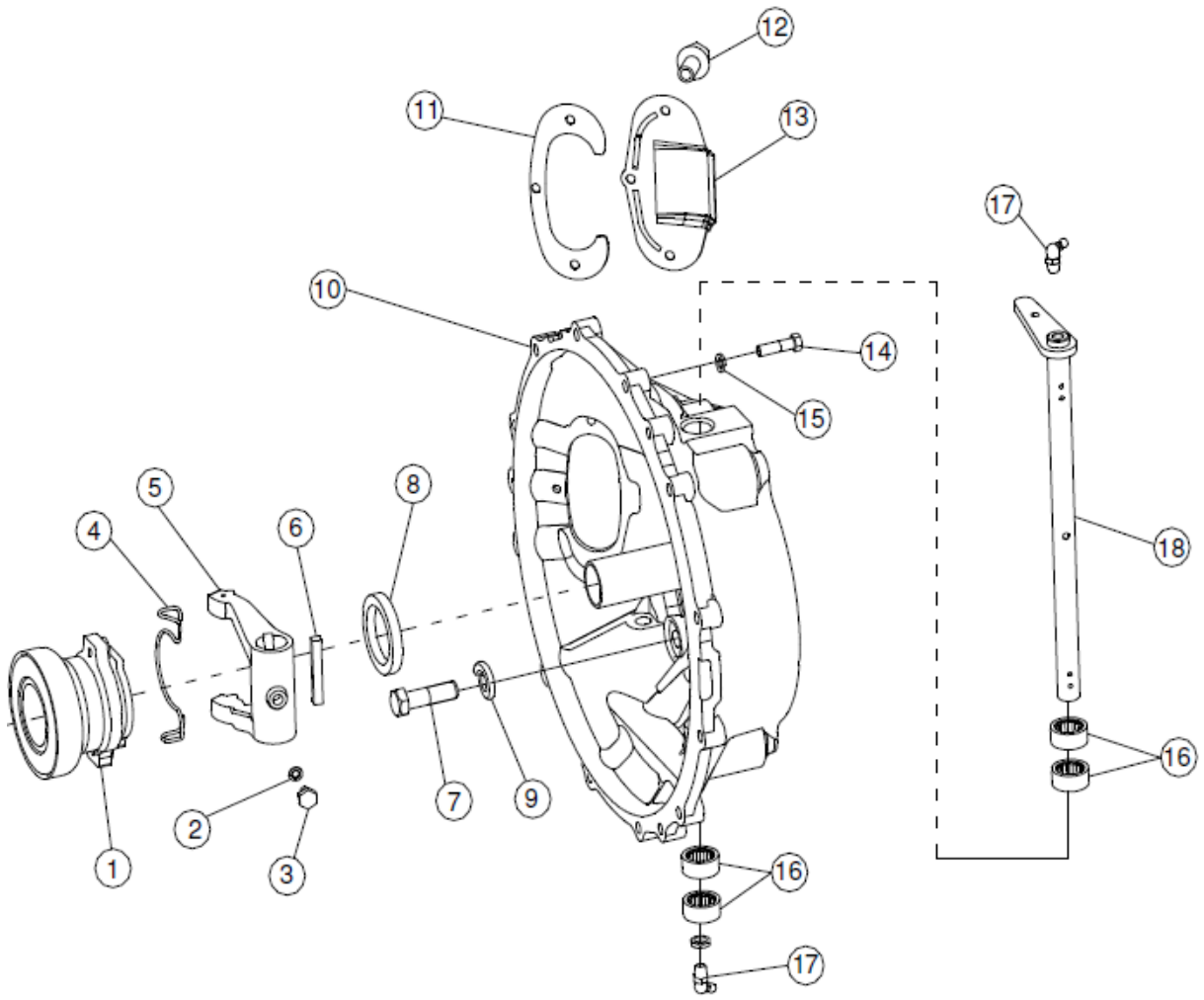
CLUTCH CHILD PARTS



F-15

TRANSMISSION		CLUTCH CHILD PARTS		
S NO	PART NO	DESCRIPTION	QTY	REMARKS
1	C7303819T.085	COVER ASSY. CLUTCH (330MM DIA)	1	
2	C7303819T.055	COLLECTOR RING	1	
3	C7303819T.057	COVER	1	
4	C7303819T.058	PRESSURE SPRING	9	
5	C7303819T.061	PRESSURE PLATE & NEEDLE SERVICE KIT	1	
6		NEEDLE BEARING	6	NS
7		PRESSURE PLATE	1	NS
8	C7303819T.062	RELEASE LEVER KIT	1	
9		PRESSURE PLATE PIN	3	NS
10		WASHER	6	NS
11		RETAINING RING	3	NS
12		LOCK NUT	3	NS
13		ADJUSTING NUT	3	NS
14		EYE BOLT WITH NEEDLE BRG.	3	NS
15		RELEASE LEVER	3	NS
16		RETRACTOR SPRING	3	NS
17		EYE BOLT PIN	3	NS
18	C7303819T.056	RELEASE LEVER WITH EYE BOLT	1	
19	C7303819T.060	DISC FACING SERVICE KIT	1	
20		FACING CERAMIC	12	NS
21		FACING RIVET	12	NS
22	C7303819T.059	COTTOR PIN	3	

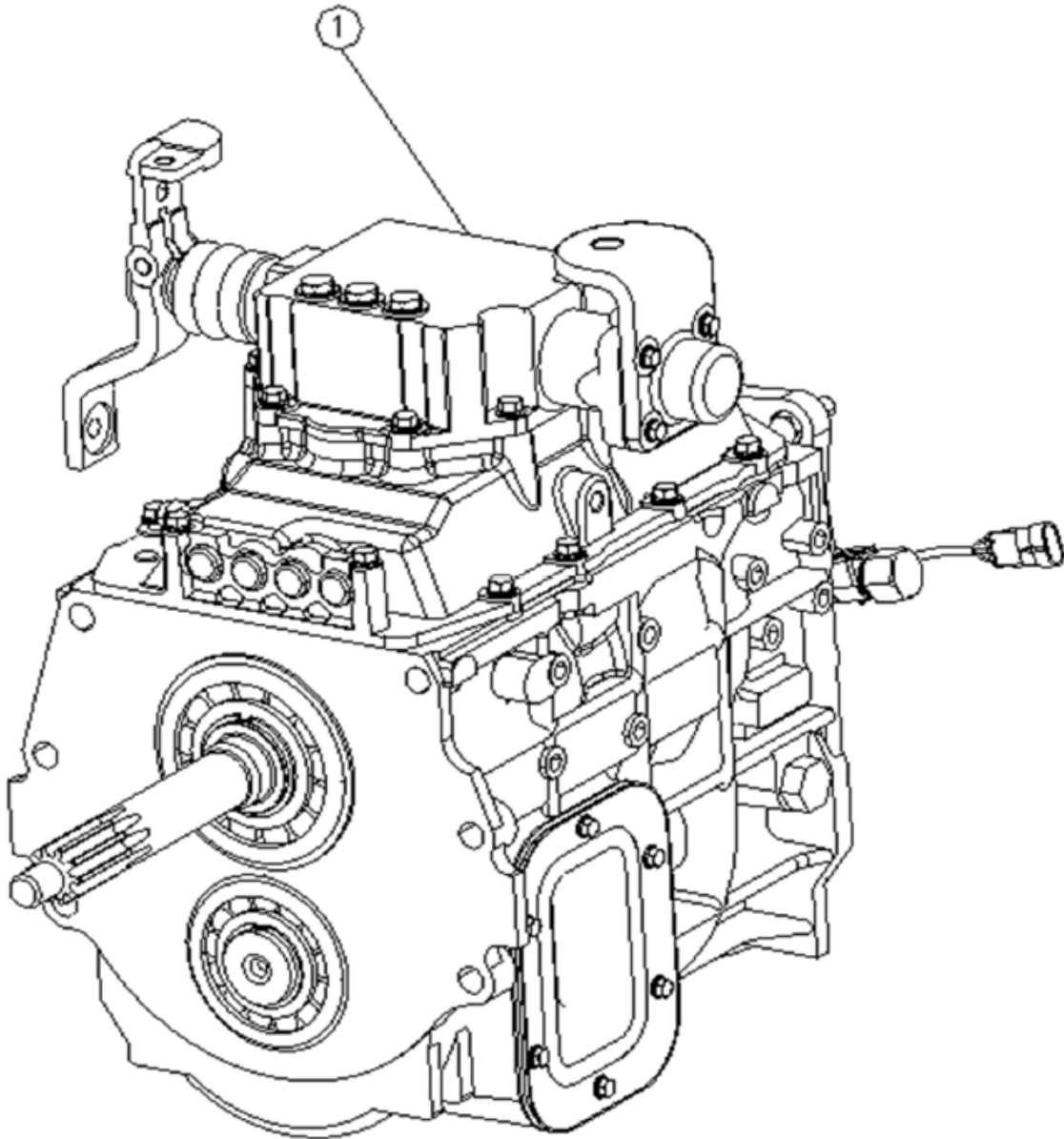
CLUTCH HOUSING



F-15

TRANSMISSION		CLUTCH HOUSING		
S NO	PART NO	DESCRIPTION	QTY	REMARKS
1	C7303819T.092	ASSY CLUTCH RELEASE BRG HCV	1	
2	C7303819E.351	SPRING WASHER M8	1	
3	C7303819T.029	SET SCREW	1	
4	C7303819T.019	SPRING CLUTCH RELEASE	1	
5	C7303819T.028	FORK	1	
6	C7303819T.030	KEY	1	
7	C7303700.063	BOLT FLANGE M16X2X55	6	
8	C7303819T.117	OIL SEAL-HCV	1	
9	C7303700.107	WASHER(16)	6	
10	C7303819T.105	CLUTCH HOUSING	1	
11	C7303819T.033	GASKET INS. COVER	1	
12	C7303819T.131	BOLT M8X1.25X12	3	
13	C7303819T.006	COVER T/M HSG. INSP.	1	
14	C7303819T.139	BOLT M10X1.5X37	12	
15	C7303819E.008	WASHER SPRING M10	12	
16	C7303819T.118	BRG. CLUTCH RELEASE FORK SHAFT	4	
17	C7303819T.120	NIPPLE GREASE (HCV)	2	
18	C7303819T.018	SHAFT	1	
19	C7303819E.382	BOLT M10X25	4	
20	C7303819T.036	BKT.	1	

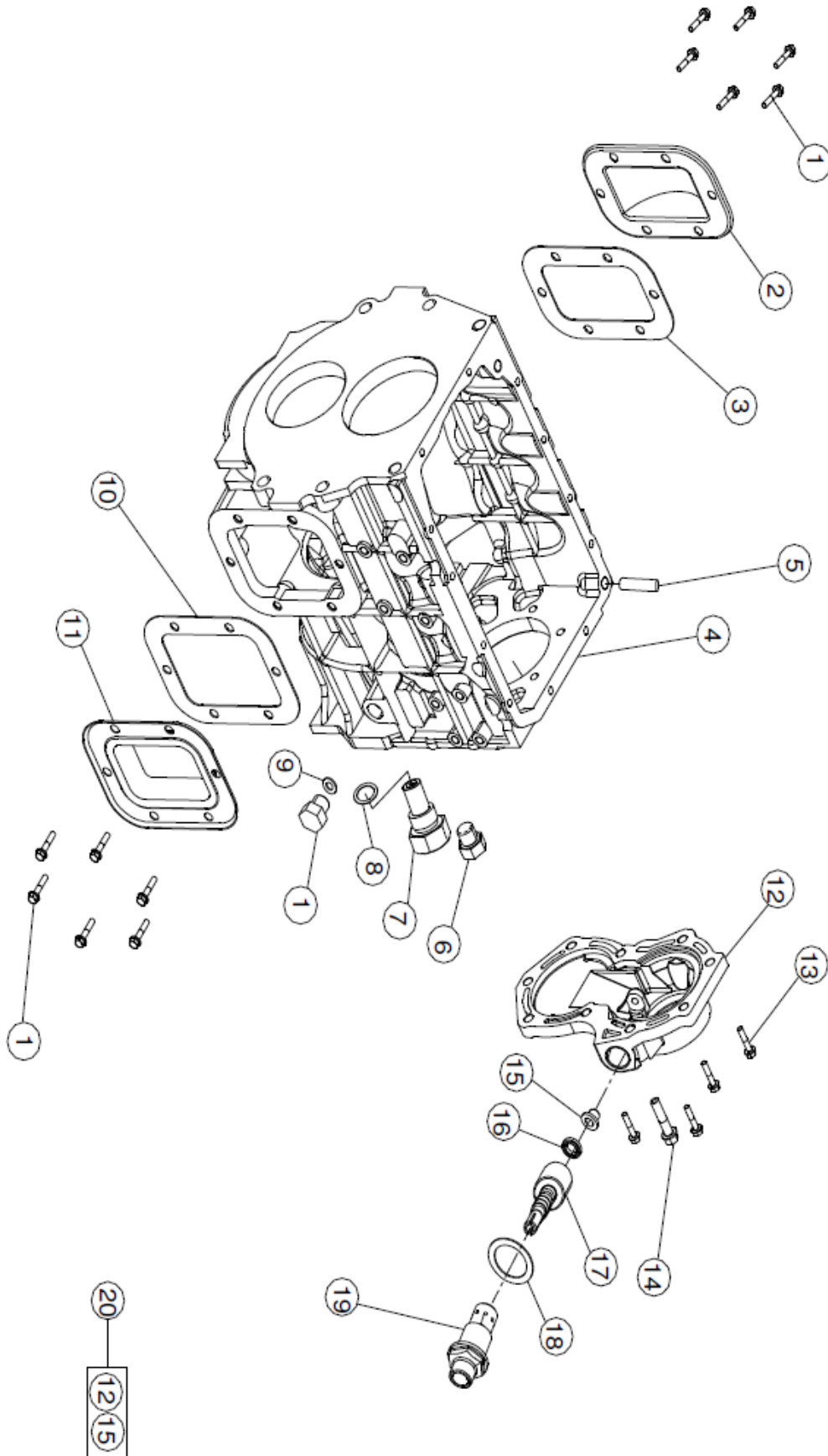
TRANSMISSION ASSEMBLY (VE)



F-15

TRANSMISSION		TRANSMISSION ASSEMBLY (VE)		
S NO	PART NO	DESCRIPTION	QTY	REMARKS
1	C7303819T	TRANSMISSION ASSEMBLY	1	

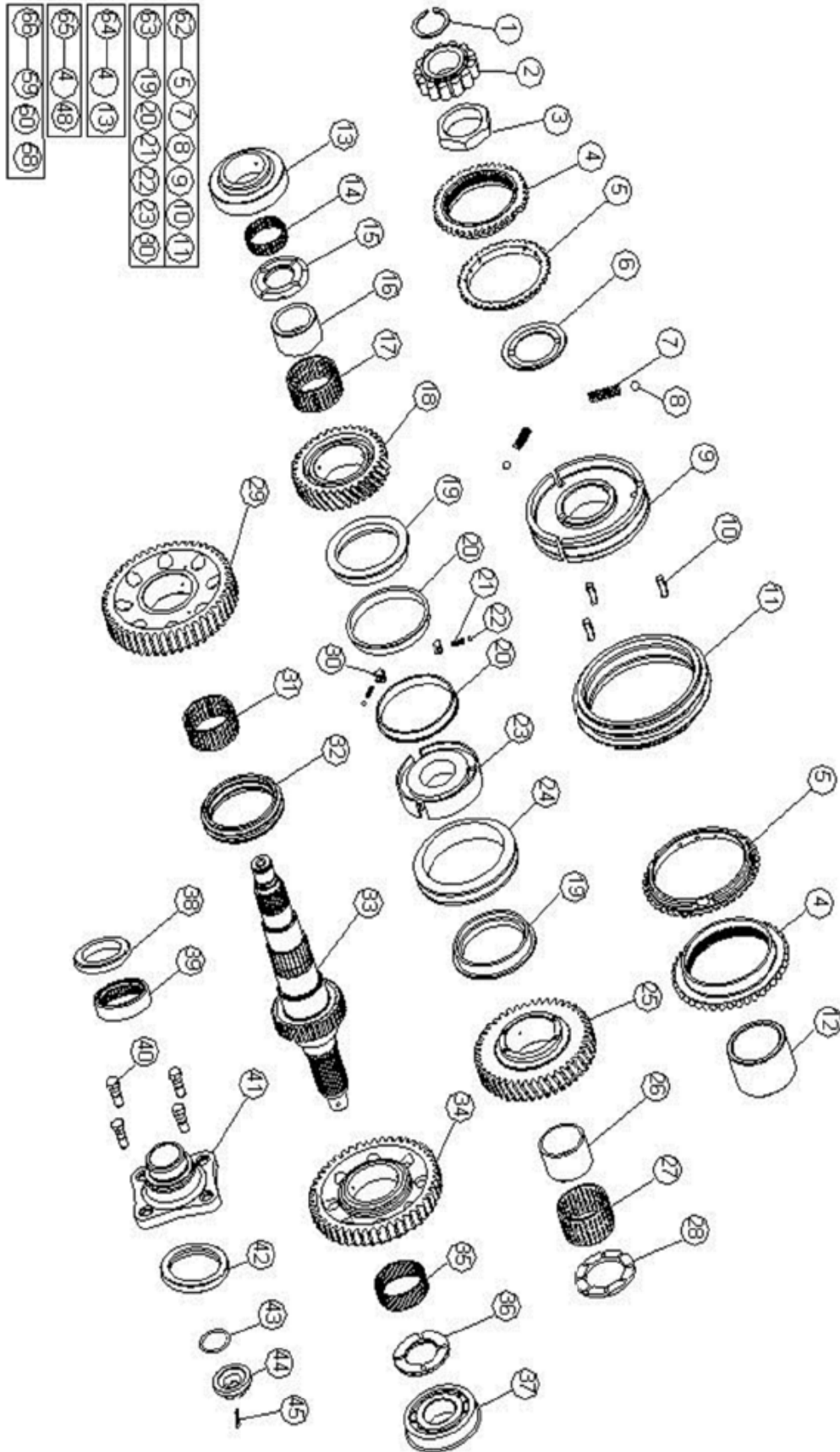
TRANSMISSION CASE



F-15

TRANSMISSION		TRANSMISSION CASE		
S NO	PART NO	DESCRIPTION	QTY	REMARKS
1	C7303819E.379	BOLT M10X16	6	
2	C7303819T.054	REVERSE GEAR COVER	1	
3	C7303819T.005	GASKET,REV.GEAR COVER	1	
4	C7303819T.115	CASE TRANSMISSION	1	
5	C7303819T.034	PIN, DOWEL(13X25)	2	
6	C7303819T.137	PLUG LEVEL	2	
7	C7303819T.130	PLUG MAGNET	1	
8	C7303819T.136	GASKETDIA.20	3	
9	C7303819T.133	PLAIN WASHER M5	1	
10	C7303819T.027	GASKET,PTO COVER	1	
11	C7303819T.037	PTO COVER-HCV	1	
12	C7303819T.004	COVER M/TCASE RR	1	
13	C7303819E.380	BOLT M10X30	8	
14	C7303819T.138	BOLT FLANGEM10X1.5X50	1	
15	C7303819T.125	BUSHING, SPEEDO GEAR	1	
16	C7303819T.140	OILSEAL SPEEDO	1	
17	C7303819T.071	GEAR SPEEDOMETER	1	

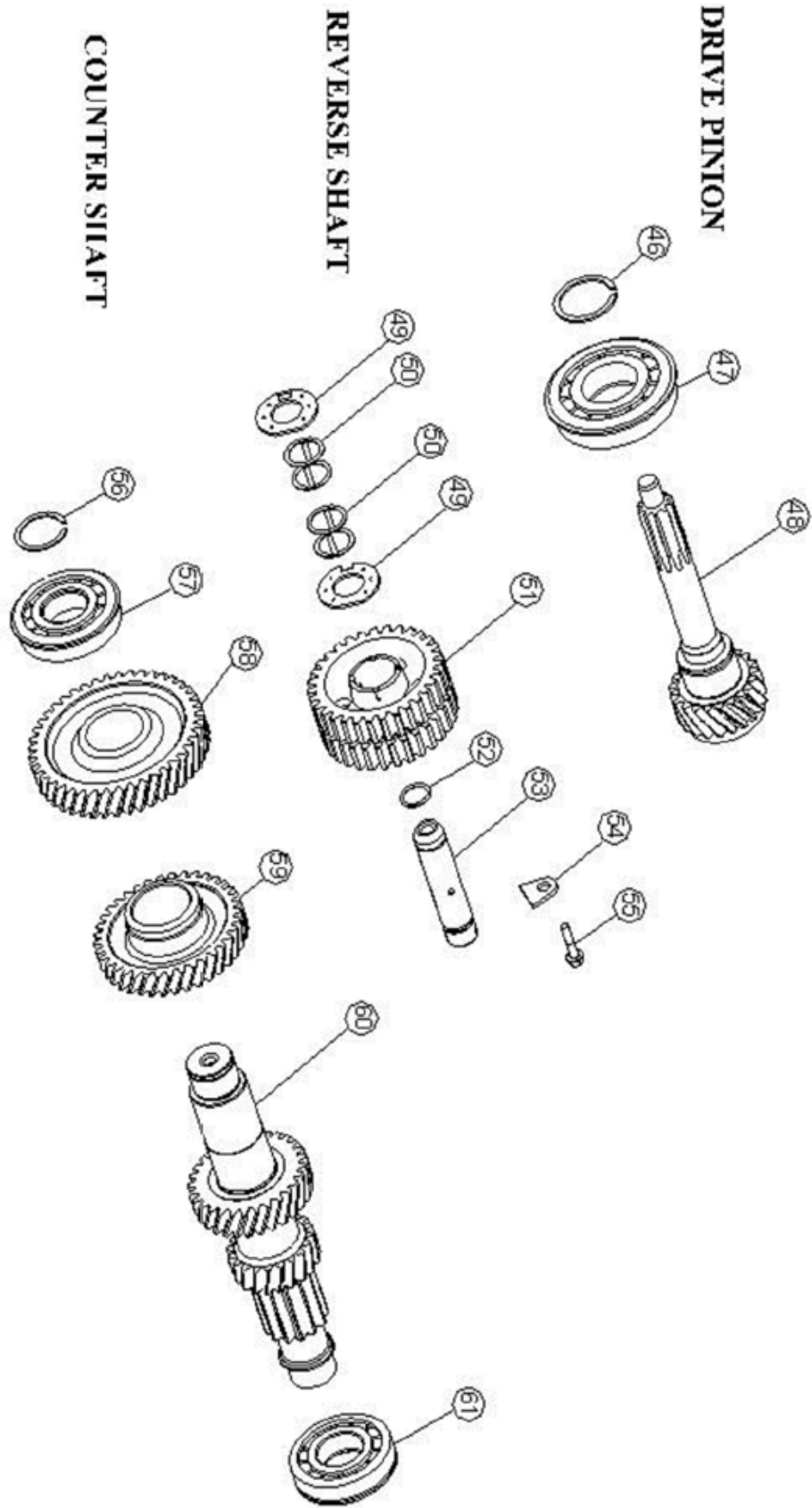
TRANSMISSION GEAR



F-15

TRANSMISSION		TRANSMISSION GEAR		
S NO	PART NO	DESCRIPTION	QTY	REMARKS
1	C7303819T.014	SNAP RING MAIN SHAFT	1	
2	C7303819T.009	PILOT BEARING	1	
3	C7303819T.017	NUT M'SHAFT M36 X 1.5NUT	1	
4	C7303819T.046	CONE SYNCHRONIZER	1	
5	C7303819T.050	SYNCHRO RING	2	
6	C7303819T.012	WASHER 4TH/5TH HUB LOCK	1	
7	C7303819T.041	SPRING 2ND-3RD SYNCRONIZER	3	
8	C7303819T.040	BALL SYNCRONIZER	3	
9	C7303819T.048	SYNCHRO HUB	1	
10	C7303819T.047	PAPPET	3	
11	C7303819T.049	SLEEVE 5TH-6TH SYN.	1	
12	C7303819T.070	SLEEVE BRG 4TH GEAR	1	
13	C7303819T.051	GEAR	1	
14	C7303819T.024	BEARING,NEEDLE 4TH GEAR	1	
15	C7303819T.110	THRUST WASHER 3RD GEAR	1	
16	C7303819T.109	SLEEVE 3RD GEAR HCV	1	
17	C7303819T.023	BEARING NEEDLE 3ND GEAR	1	
18	C7303819T.068	3RD GEAR MAIN SHAFT	1	
19	C7303819T.039	CLUTCH BODY RING	2	
20	C7303819T.094	SYNCHRO RING	2	
21	C7303819T.041	SPRING 2ND-3RD SYNCRONIZER	3	
22	C7303819T.040	BALL SYNCRONIZER	3	
23	C7303819T.044	SYNCHRO HUB	1	
24	C7303819T.043	SLEEVE 2ND 3RD SYNCRONIZER	1	
25	C7303819T.067	MAIN SHAFT GEAR 2ND	1	
26	C7303819T.022	BEARING,ROLLER 2ND GEAR	1	
27	C7303819T.010	WASHER 1ST GEAR, THRUST	1	
28	C7303819T.066	GEAR, MAIN SHAFT 1ST	1	
29	C7303819T.042	PAPPET	3	
30	C7303819T.026	BEARING, NIDDLE 1ST	1	
31	C7303819T.002	SLEEVE SYNCHRONISER	1	
32	C7303819T.107	MAIN SHAFT HCV	1	
33	C7303819T.065	REV GEAR MAIN SHAFT	1	
34	C7303819T.008	BEARING,NEEDLE REV GEAR	1	
35	C7303819T.011	THRUST WASHERHCV REVERSE GEAR	1	
36	C7303819T.021	BEARING MAINSHAFT	1	
37	C7303819T.031	SPEEDO GEARSPACER (HCV)	1	
38	C7303819T.072	WORM,SPEEDOMETER	1	
39	C7303819T.001	BOLT COMPANION FLANGE-HCV	1	
40	C7303819T.069	SLEEVE BEARING 2ND GEAR	1	
41	C7303819T.090	FLANGE COMPANION	1	
42	C7303819T.007	OIL SEAL M/T CASEEXTENSION HSG REAR	1	
43	C7303819T.032	O,RING COMPANION FLANGE	1	
44	C7303819T.114	NUT M'SHAFT M30X 1.5	1	
45	C7303819T.134	PIN SPLIT 5.0X45.0	1	

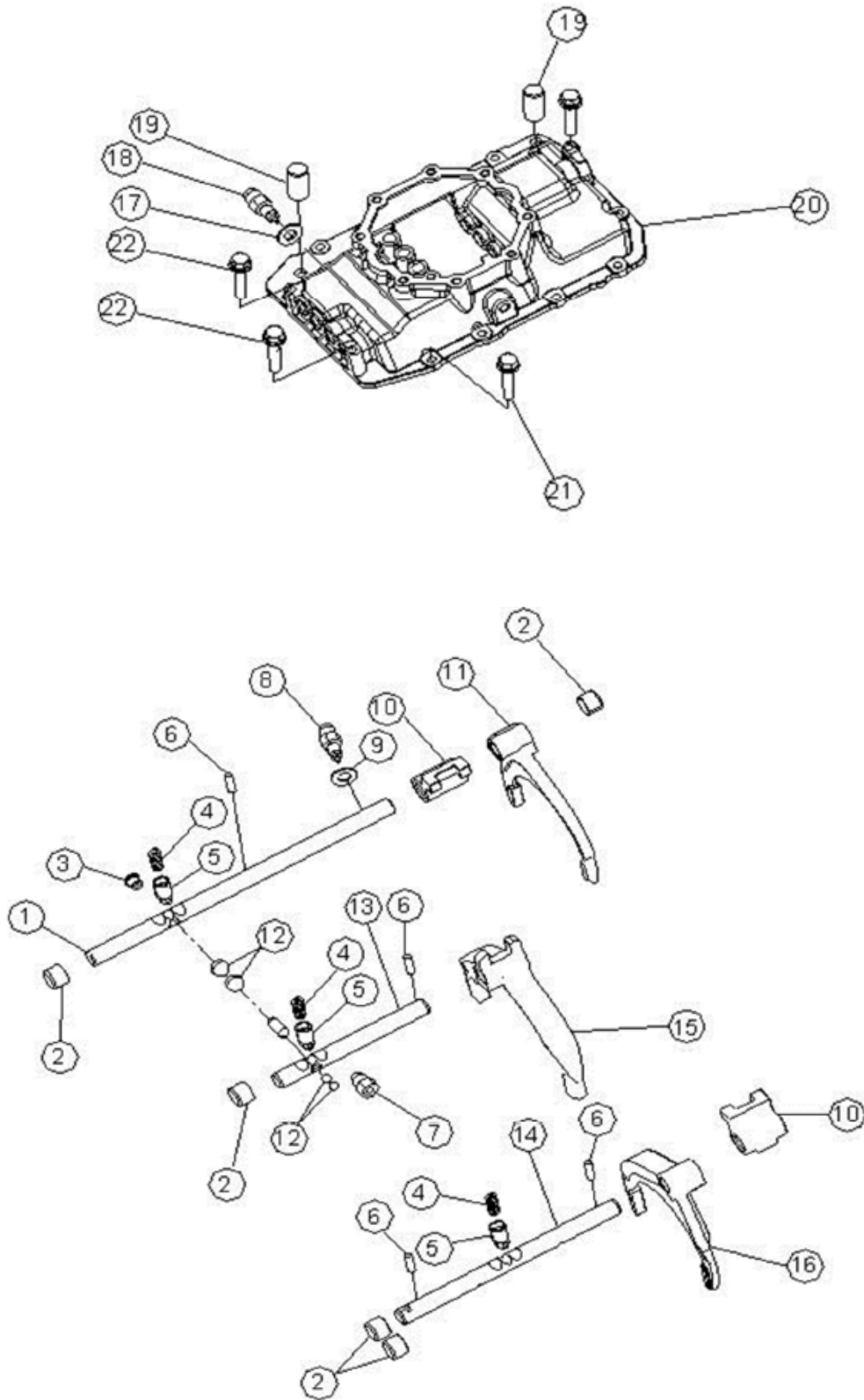
TRANSMISSION GEAR



F-15

TRANSMISSION		TRANSMISSION GEAR		
S NO	PART NO	DESCRIPTION	QTY	REMARKS
46	C7303819T.013	RING, SNAPDRIVE PINION HCV	1	
47	C7303819T.020	BEARING ROLLER	1	
48	C7303819T.064	PINION, DRIVE	1	
49	C7303819T.088	WASHER,REV.IDLER GEAR	1	
50	C7303819T.087	NEEDLE ROLLER BRG.	1	
51	C7303819T.086	REVERSE IDLER GEAR	1	
52	C7303819T.016	O,RING REV IDLER SHAFT	1	
53	C7303819T.116	REVERSE IDLER SHAFT	1	
54	C7303819T.128	REVERSE SHAFT LOCK PIECE	1	
55	C7303819E.379	BOLT M10X16	1	
56	C7303819T.015	RING SNAP C'SHAFT	1	
57	C7303819T.025	BRG;ROLLER(W/CIRCLIP)	1	
58	C7303819T.063	CONSTANT MESH GEARC/SHAFT(HCV)	1	
59	C7303819T.052	GEAR COUNTER SHAFT 4TH SPEED (30.25)	1	
60	C7303819T.108	COUETR SHAFT CLUSTER	1	
61	C7303819T.038	BRG.COUNTERSHAFTHCV(W/O CIRCLIP)	1	
62	C7303819T.045	SYNCRONISER ASSY 4TH/5TH (HCV)	1	
63	C7303819T.095	SYNCRON ASSY.2ND/3RD	1	
64	C7303819T.053	4TH GEAR MAIN SHAFT ASSY (30.25)	1	
65	C7303819T.111	ASSY DRIVE PINION HCV	1	
66	C7303819T.112	ASSY COUNTER SHAFT	1	

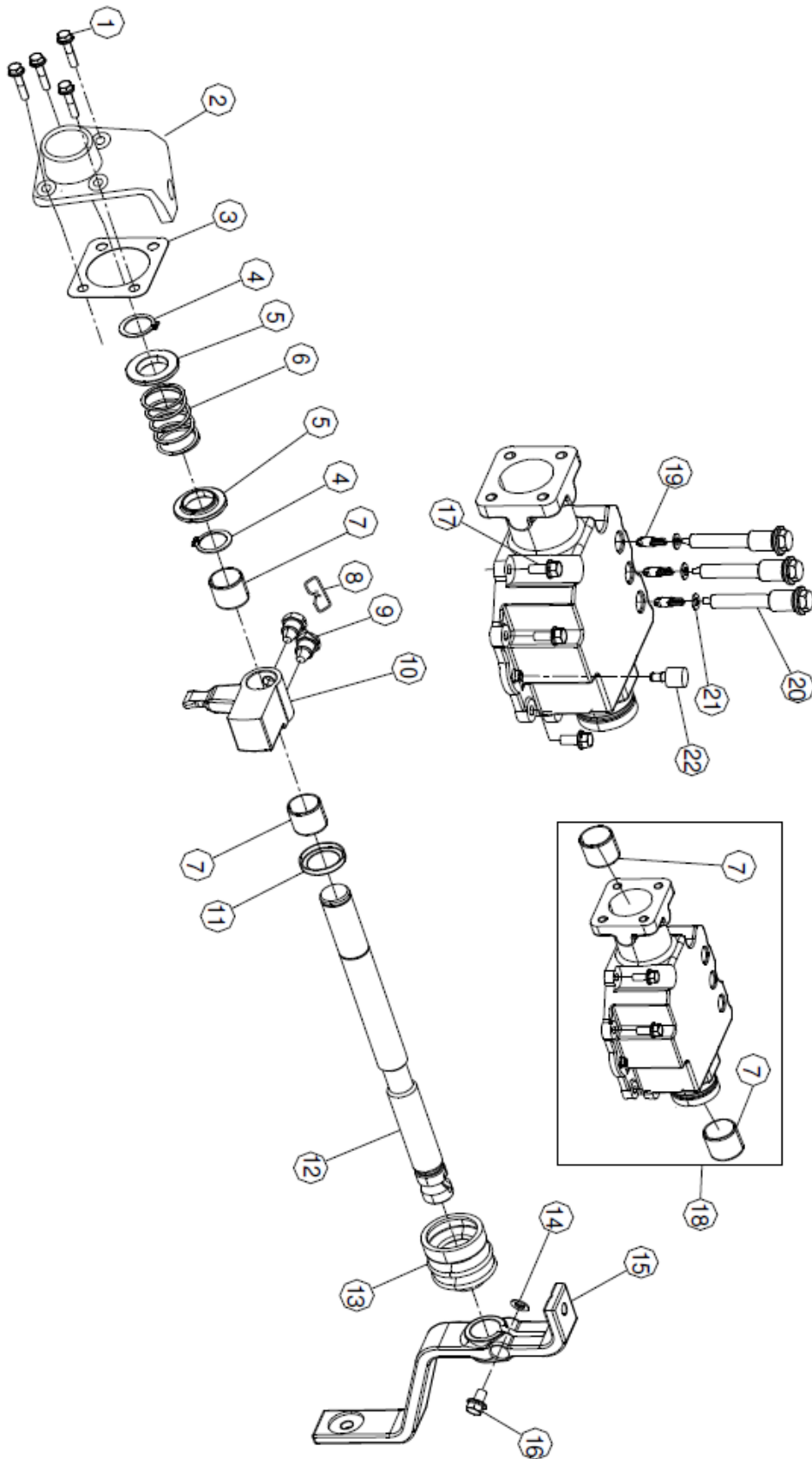
TRANSMISSION GEAR SHAFT CONTROL LOWER



F-15

TRANSMISSION		TRANSMISSION GEAR SHAFT CONTROL LOWER		
S NO	PART NO	DESCRIPTION	QTY	REMARKS
1	C7303819T.102	RAIL 1/REV-HCV	1	
2	C7303819T.127	PLUG,DUST	5	
3	C7303819T.035	PLUG,CASE LOWER	1	
4	C7303819T.124	PUPPET SPRING	3	
5	C7303819T.082	DETENT ASSY	3	
6	C7303819T.091	ASSY PIN SPRINGDIA 6	5	
7	C7303819T.129	PIN INTERLOCK, B	1	
8	C7303819T.122	BOLT,PLUG CASE LOWER	2	
9	C7303819E.407	GASKETM16	2	
10	C7303819T.100	JAW G/S	2	
11	C7303819T.099	FORK G/S	1	
12	C7303819T.126	BALL,STEEL	4	
13	C7303819T.101	2ND/3RD RAIL ASSY.HCV	1	
14	C7303819T.113	RAIL 4TH-5TH HCV	1	
15	C7303819T.103	FORK 2ND 3RD GEAR SHIFT-HCV	1	
16	C7303819T.106	FORK 4/5-GRAZIANO SYNCRO DIA 90	1	
17	C7303819T.003	GASKET M14	1	
18	C7303819T.119	SWITCH ASSY.BACKUP LAMP	1	
19	C7303819T.034	PIN, DOWEL(13X25)	2	
20	C7303819T.104	CASE G/S LOWERHCV-HYBRID GSL	1	
21	C7303819E.323	BOLT M8X1.25X20	9	
22	C7303819E.329	BOLT M8X1.25X60	3	

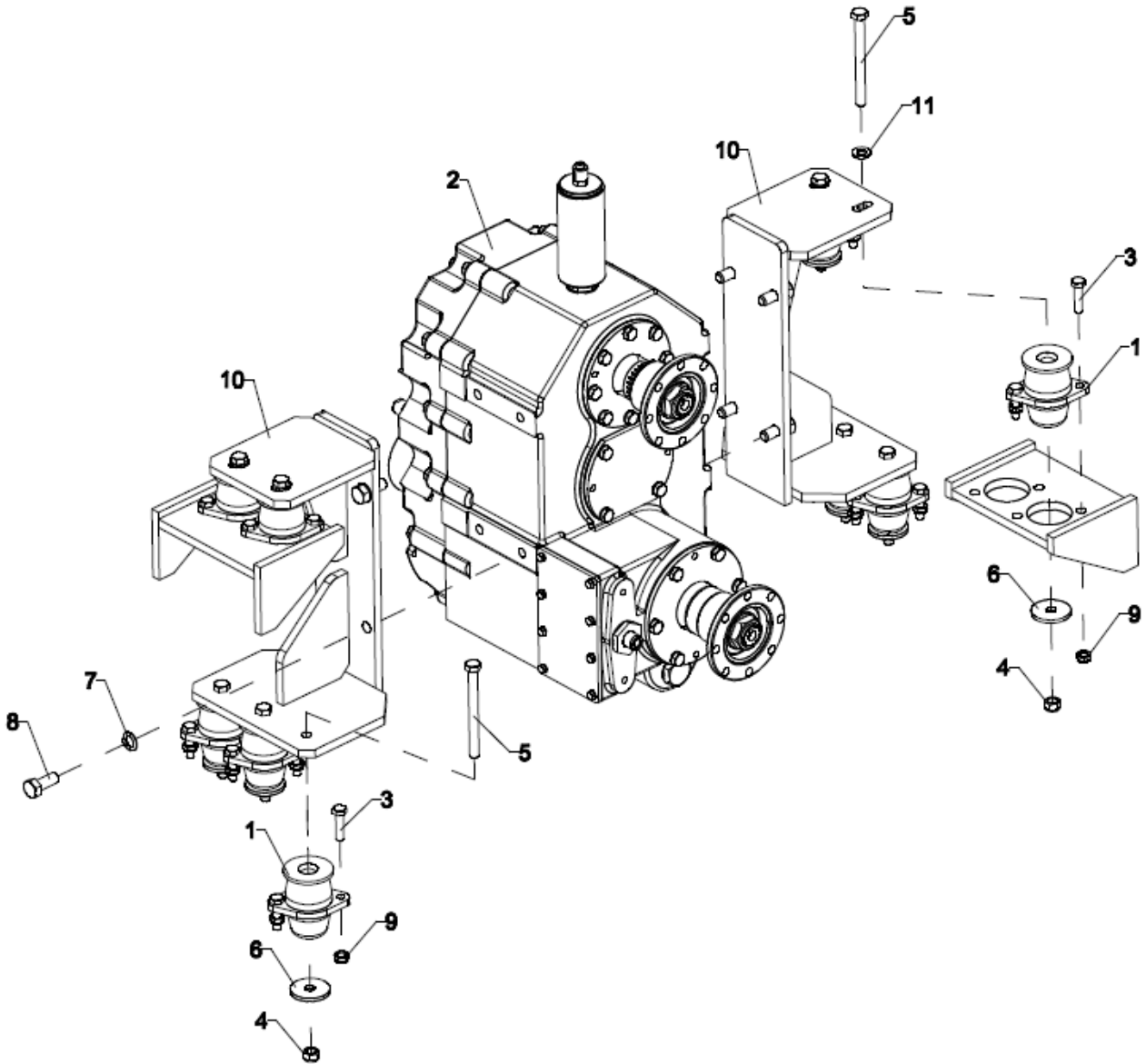
TRANSMISSION GEAR INSTALL UPPER



F-15

TRANSMISSION		TRANSMISSION GEAR INSTALL UPPER		
S NO	PART NO	DESCRIPTION	QTY	REMARKS
1	C7303819E.382	BOLT M10X25	4	
2	C7303819T.097	COVER CASE UPPER	1	
3	C7303819T.079	GASKET	1	
4	C7303819T.073	SNAP RING	2	
5	C7303819T.074	SPRING RETAINER	2	
6	C7303819T.075	SPRING SELECTCASE UPPER	1	
7	C7303819T.078	BUSH, CROSS SHAFT	2	
8	C7303819T.081	WIRE	1	
9	C7303819T.080	HEX SCREW M8X16	2	
10	C7303819T.083	LEVER G/S SLIDINGASSY	1	
11	C7303819T.076	OIL SEAL	1	
12	C7303819T.096	CROSS SHAFT	1	
13	C7303819T.077	BOOT, CROSS SHAFT	1	
14	C7303819T.093	SPACER - C/S SHAFT	1	
15	C7303819T.098	LEVER CROSS SHAFT	1	
16	C7303819T.132	BOLT M10X1.25X35	1	
17	C7303819E.323	BOLT M8X1.25X20	8	
18	C7303819T.089	ASSY CASE UPPER	1	
19	C7303819T.082	DETENT ASSY	3	
20	C7303819T.121	BOLT,CASE UPPER	3	
21	C7303819T.135	GASKETDIA.18	3	
22	C7303819T.123	BREATHER,AIR	1	
23	C7303819T.089	ASSY CASE UPPER	1	

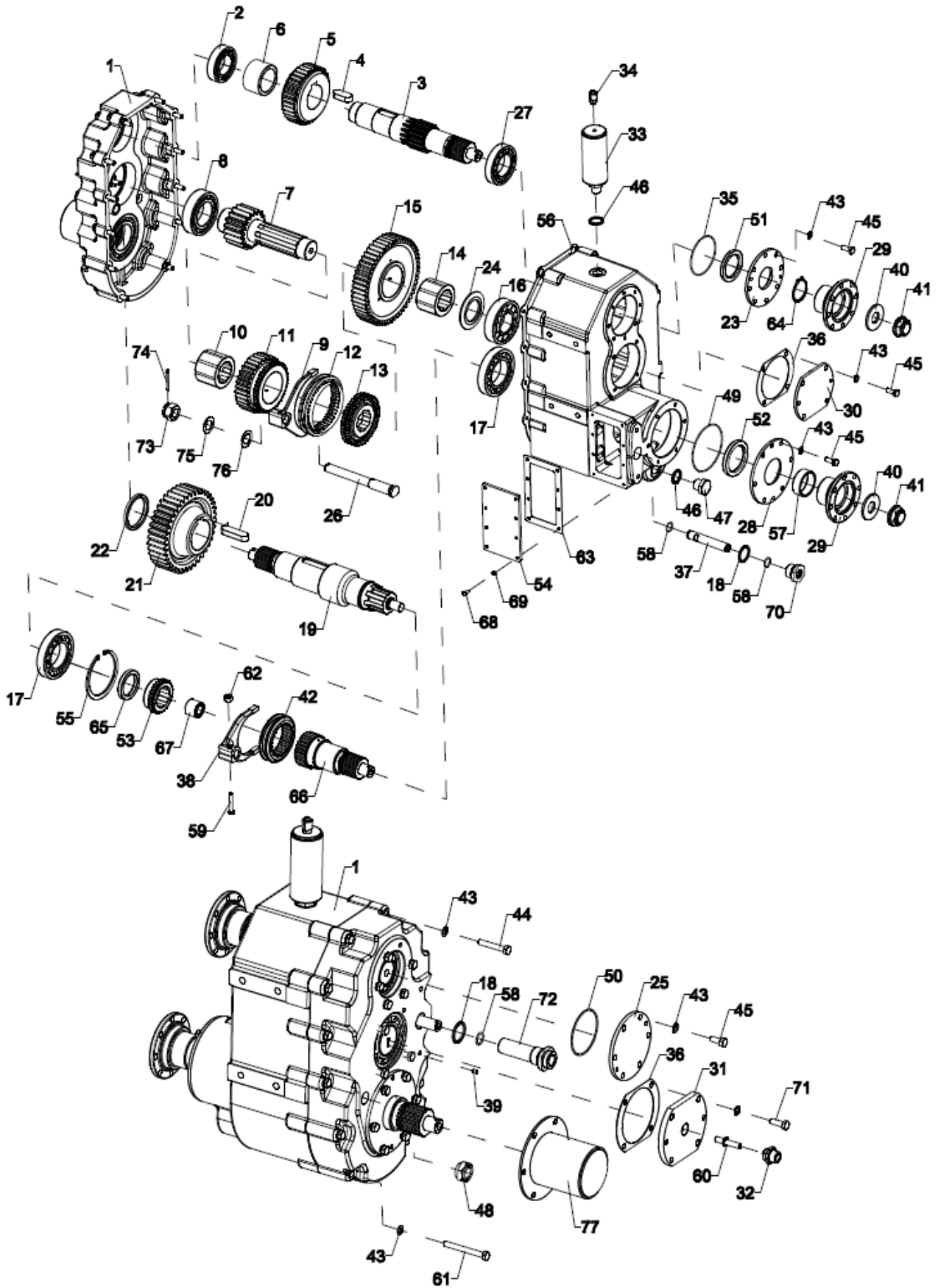
ESCORTS AGB INSTALLATION



F-15

TRANSMISSION		AGB INSTALLATION		
S No	Part No	Description	Qty	Remarks
1	C8V121100810	ENGINE PAD	10	
2	C7307074	AUX. GEAR BOX ASSY (2 WD)	1	
2	C7305762	AUX. GEAR BOX ASSY (4 WD)	1	
3	C9100107	HEXAGON HEAD BOLT	20	
4	C9100568	PREVAILING TORQUE TYPE NUT	10	
5	C9100569	HEXAGON HEAD BOLT	10	
6	C8G335212380	WASHER	10	
7	C9100352	SPRING LOCK WASHER	8	
8	C9100974	HEXAGON HEAD SCREW	8	
9	C9100041	NYLOCK NUT	20	
10	C7305704	AGB MTG. BRACKET	2	
11	C9100059	PUNCHED WASHER	4	

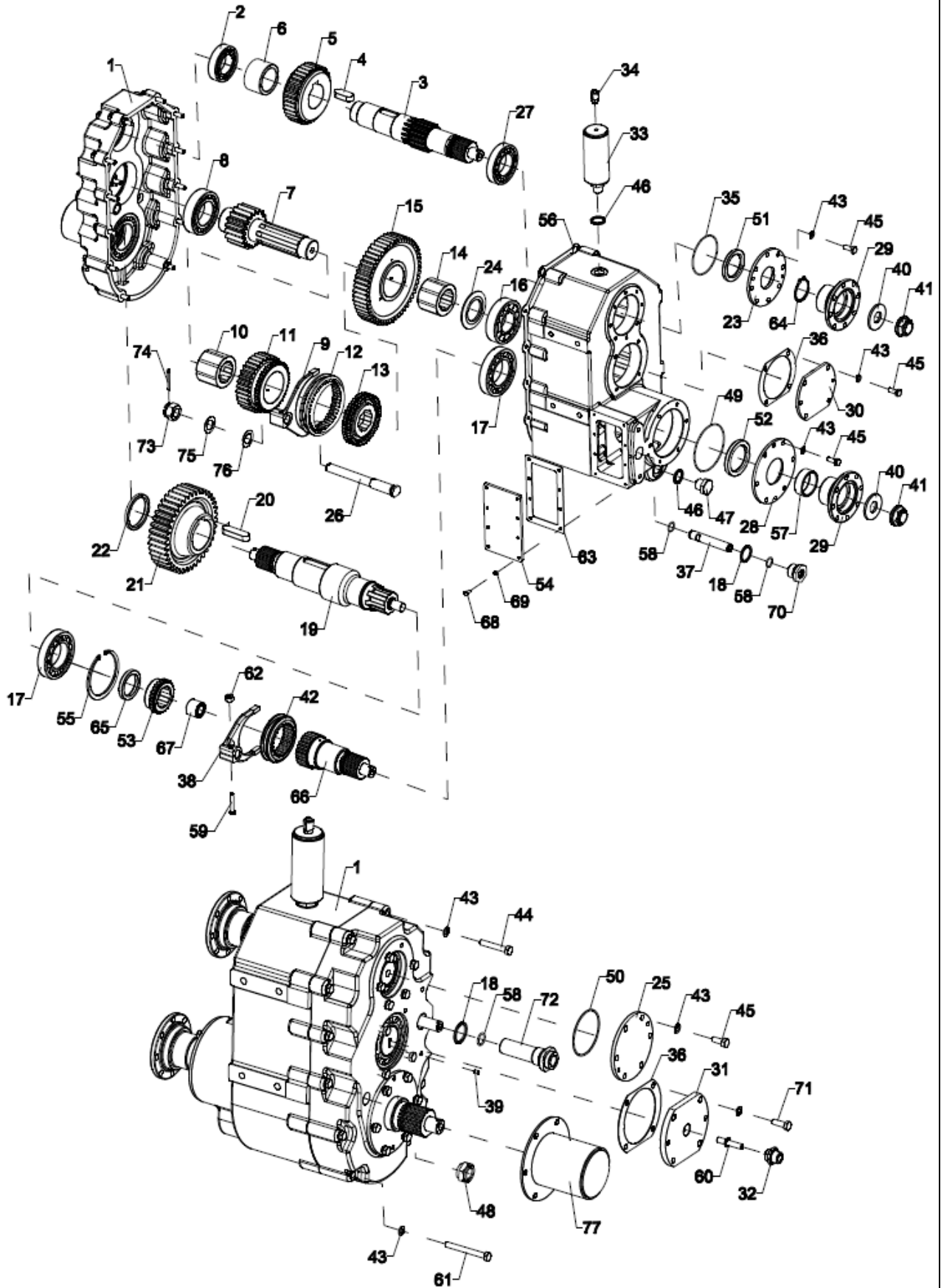
AUX GEAR BOX ASSY- 2WD - C7307074



F-15

TRANSMISSION		AUX GEAR BOX ASSY- 2WD		
S No	Part No	Description	Qty	Remarks
1	C7305646	AGB HOUSING	1	
2	C7305792	CYL ROLLER BEARING	1	
3	C7300746	INPUT SHAFT	1	
4	C7301139	KEY INPUT SHAFT	1	
5	C7301140	GEAR (NO. OF TEETH - 35)	1	
6	21-M-7-050	SPACER	1	
7	C7301659	INTERMEDIATE SHAFT	1	
8	C7305791	BEARING	1	
9	C7305759	MACHINED FORK-HI/LOW	1	
10	C7301143	SPECIAL BUSH	1	
11	C7301144	DOG GEAR	1	
12	C7301146	SLEEVE	1	
13	C7301145	FIXED DOG	1	
14	C7301147	BUSH	1	
15	C7301148	DOG GEAR	1	
16	C7305793	BEARING	1	
17	C7305794	CYL ROLLER BEARING	3	
18	C8G956010020	DOWTY SEAL	2	
19	C7301677	OUTPUT SHAFT	1	
20	C7301155	KEY OUPUT SHAFT	1	
21	C7301833	GEAR	1	
22	21-M-7-077	SPACER	1	
23	C7300750	BEARING COVER	1	
24	C7305758	SPACER	1	
25	21-M-7-051	BEARING COVER	1	
26	C7305760	SHIFTER ROD	1	
27	C7305795	CYL ROLLER BEARING	1	
28	21-M-7-056	BEARING COVER	2	
29	47-M-2-024	OUPUT FLANGE	2	
30	C7305757	BEARING COVER	1	
31	C7301658	BEARING COVER	1	
32	C7301161	THREADED BUSH	1	
33	C7305652	BREATHER PIPE FAB	1	
34	00200433	VENT CAP	1	
35	C7305804	O RING INPUT	1	
36	C7301158	GASKET (I THK.)	2	
37	C7301680	SHIFTER ROD	1	
38	C7305842	FORK 2WD/4WD	1	
39	C9100281	HEXAGON SOCKET SET SCREW	1	
40	47-M-2-009	WASHER	2	
41	C8PP11691000	LOCK NUT	2	
42	C7301816	SLIDING SLEEVE	1	
43	C9100044	SPRING LOCK WASHER	43	
44	C9100561	HEXAGON HEAD SCREW	8	
45	C9100267	HEXAGON HEAD SCREW	30	

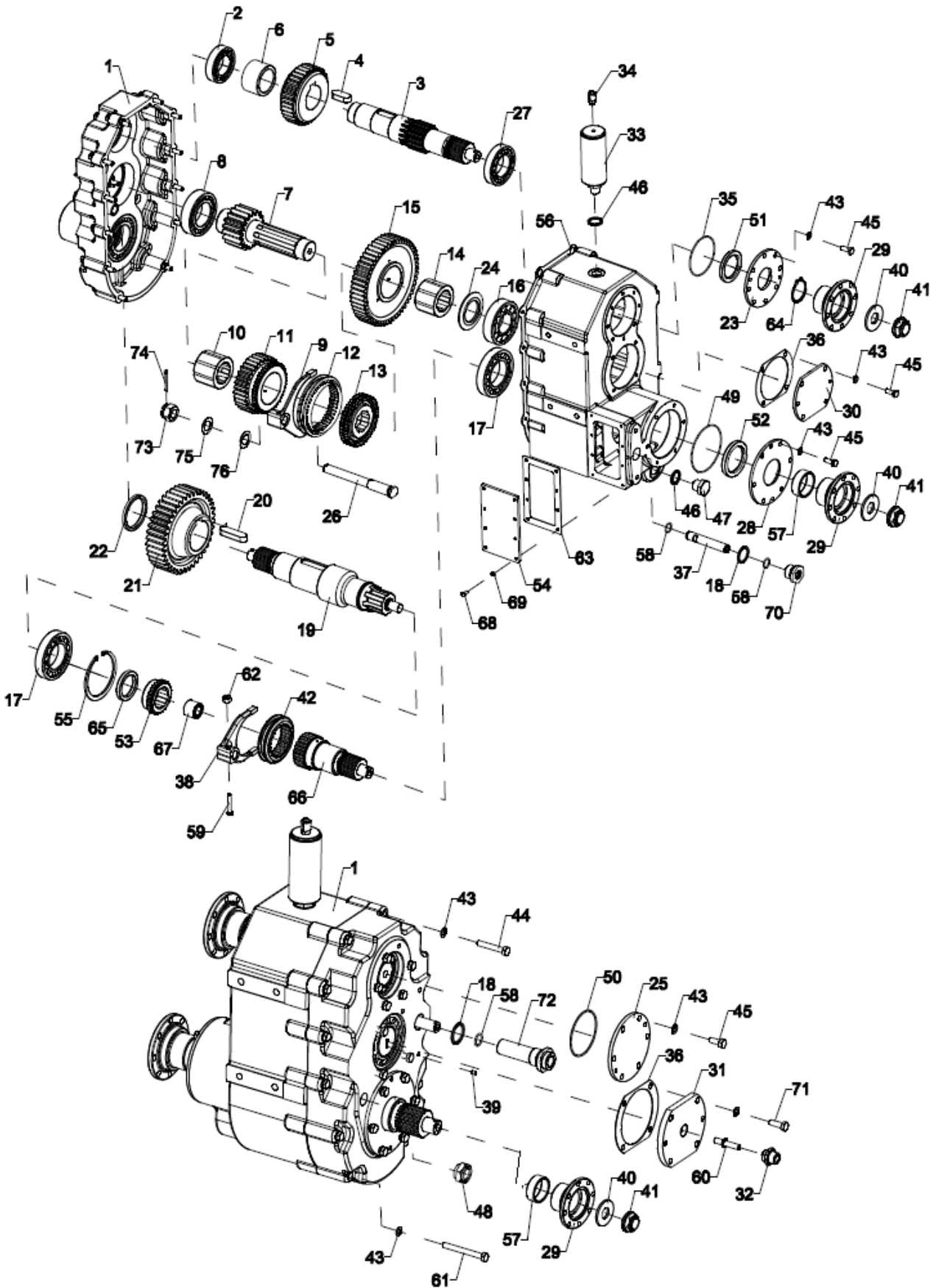
AUX GEAR BOX ASSY- 2WD - C7307074



F-15

TRANSMISSION		AUX GEAR BOX ASSY- 2WD		
S No	Part No	Description	Qty	Remarks
46	C8G956010070	DOWTY SEAL	2	
47	21-M-7-069	MAGNETIC PLUG	1	
48	C84223725600	OIL LEVEL PLUG	1	
49	C7305800	'O' RING	2	
50	C7305801	'O' RING	1	
51	C7305803	OILSEAL INPUT SHAFT	1	
52	C7301163	OIL SEAL OUTPUT	2	
53	C7301660	DOG GEAR	1	
54	C7301671	COVER PLATE	1	
55	C9100734	CIRCLIP	1	
56	C7301164	GASKET	1	
57	C7301165	SPACER	1	
58	C7305802	O-RING	4	
59	C9100265	HEXAGON HEAD SCREW	1	
60	C7301154	SPEEDOMETER PIN	1	
61	C9101357	HEXAGON HEAD SCREW	4	
62	C9100307	PREVAILING TORQUE TYPE NUT	1	
63	C7301673	GASKET	1	
64	C9100278	CIRCLIP	1	
65	C7301661	SPACER	1	
66	C7301678	OUTPUT SHAFT REAR	1	
67	C7301824	NEEDLE ROLLER BEARING	1	
68	C9100445	HEXAGON HEAD SCREW	8	
69	C9100150	SPRING LOCK WASHER	8	
70	C7301681	GLAND	1	
71	C9100269	HEXAGON HEAD SCREW	4	
72	C7305761	GLAND	1	
73	C9101344	CASTLE NUT	1	
74	C9101345	SPLIT PIN	1	
75	C7305969	SHIM	1	
76	C7305970	SHIM	1	
77	C7307019	COVER FAB	1	

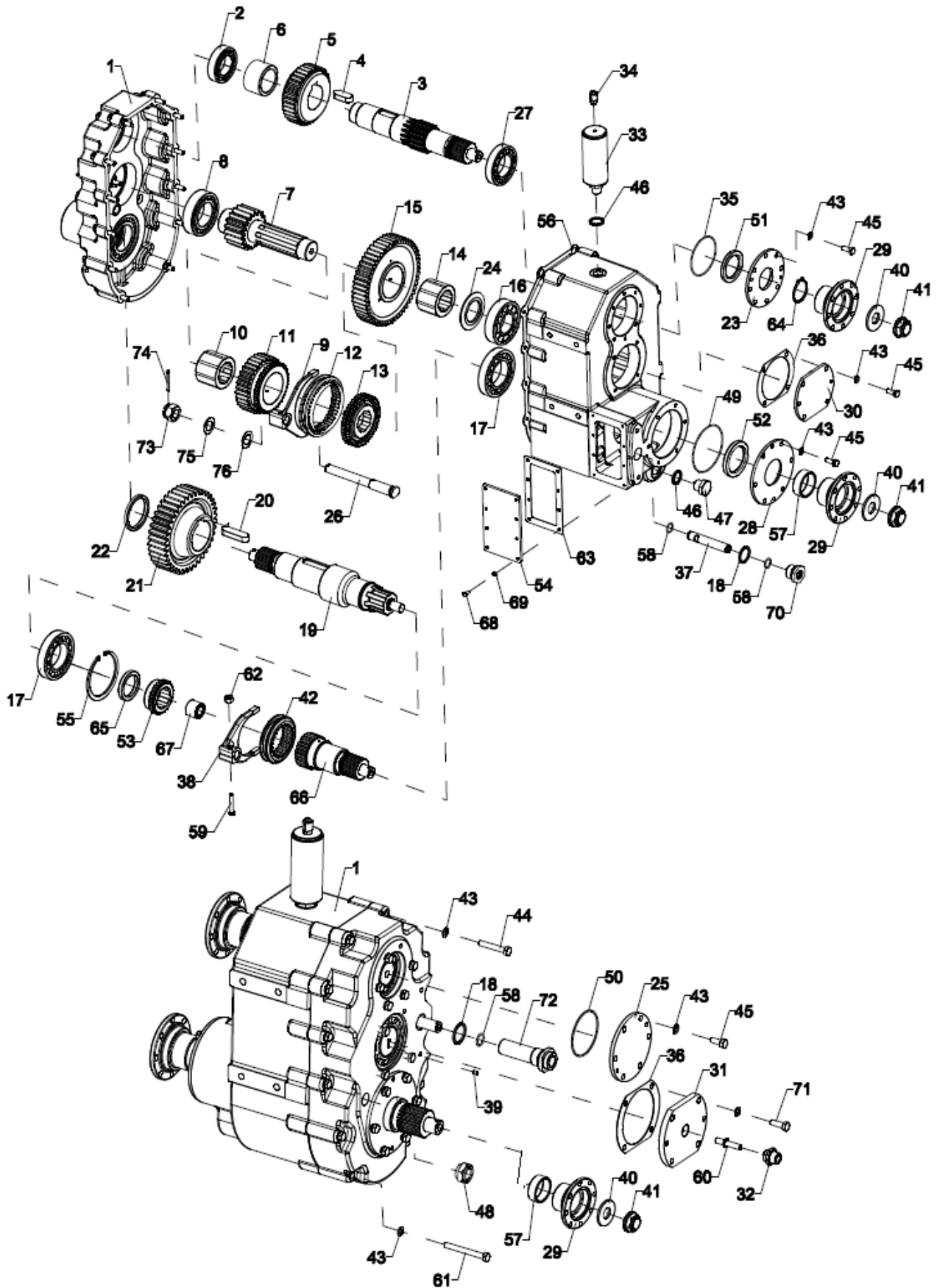
AUX GEAR BOX ASSY- 4WD -C7305762



F-15

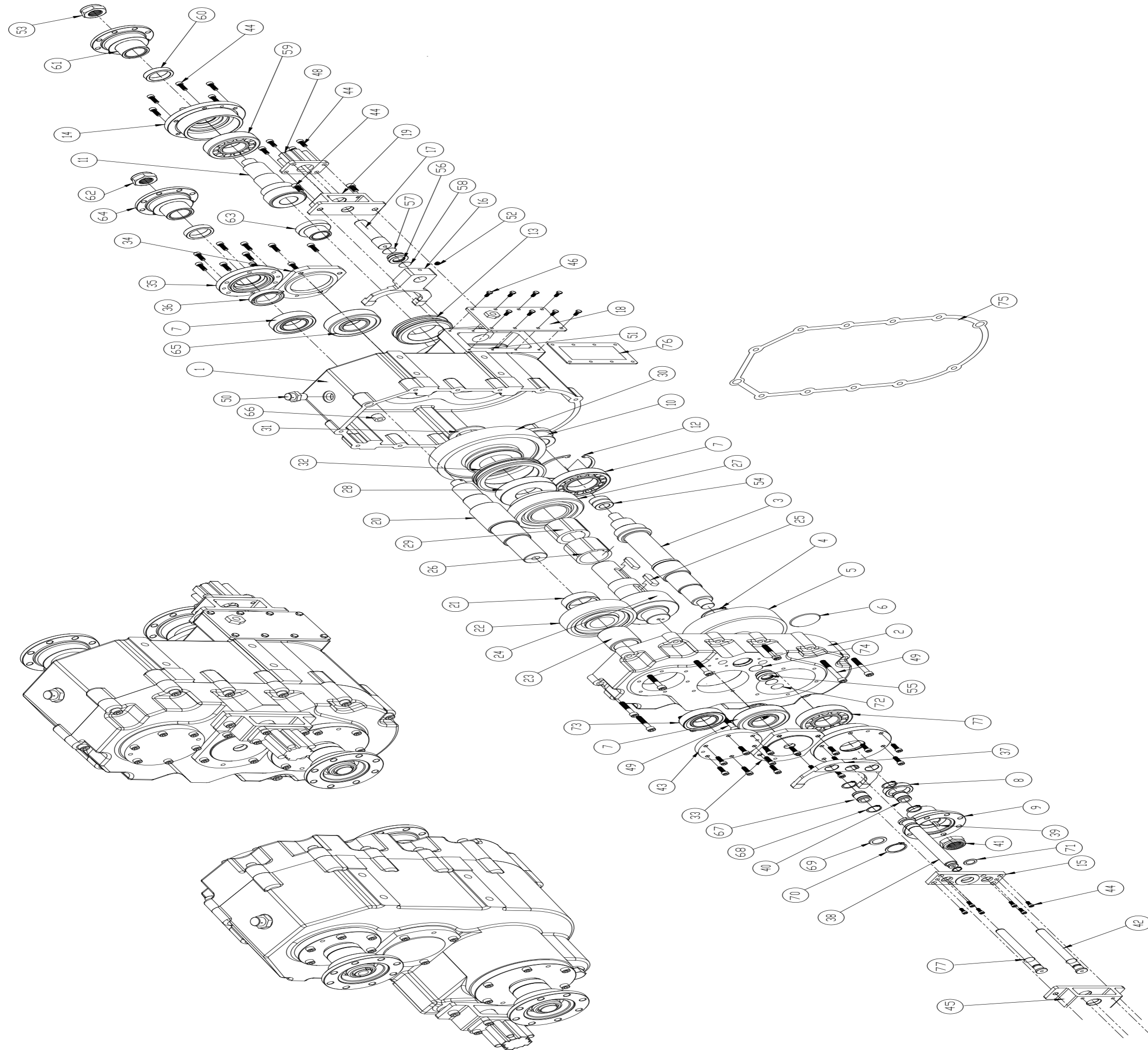
TRANSMISSION		AUX GEAR BOX ASSY- 4WD		
S No	Part No	Description	Qty	Remarks
1	C7305646	AGB HOUSING	1	
2	C7305792	CYL ROLLER BEARING	1	
3	C7300746	INPUT SHAFT	1	
4	C7301139	KEY INPUT SHAFT	1	
5	C7301140	GEAR (NO. OF TEETH - 35)	1	
6	21-M-7-050	SPACER	1	
7	C7301659	INTERMEDIATE SHAFT	1	
8	C7305791	BEARING	1	
9	C7305759	MACHINED FORK-HI/LOW	1	
10	C7301143	SPECIAL BUSH	1	
11	C7301144	DOG GEAR	1	
12	C7301146	SLEEVE	1	
13	C7301145	FIXED DOG	1	
14	C7301147	BUSH	1	
15	C7301148	DOG GEAR	1	
16	C7305793	BEARING	1	
17	C7305794	CYL ROLLER BEARING	3	
18	C8G956010020	DOWTY SEAL	2	
19	C7301677	OUTPUT SHAFT	1	
20	C7301155	KEY OUPUT SHAFT	1	
21	C7301833	GEAR	1	
22	21-M-7-077	SPACER	1	
23	C7300750	BEARING COVER	1	
24	C7305758	SPACER	1	
25	21-M-7-051	BEARING COVER	1	
26	C7305760	SHIFTER ROD	1	
27	C7305795	CYL ROLLER BEARING	1	
28	21-M-7-056	BEARING COVER	2	
29	47-M-2-024	OUPUT FLANGE	2	
30	C7305757	BEARING COVER	1	
31	C7301658	BEARING COVER	1	
32	C7301161	THREADED BUSH	1	
33	C7305652	BREATHER PIPE FAB	1	
34	00200433	VENT CAP	1	
35	C7305804	O RING INPUT	1	
36	C7301158	GASKET (I THK.)	2	
37	C7301680	SHIFTER ROD	1	
38	C7305842	FORK 2WD/4WD	1	
39	C9100281	HEXAGON SOCKET SET SCREW	1	
40	47-M-2-009	WASHER	2	
41	C8PP11691000	LOCK NUT	2	
42	C7301816	SLIDING SLEEVE	1	
43	C9100044	SPRING LOCK WASHER	43	
44	C9100561	HEXAGON HEAD SCREW	8	
45	C9100267	HEXAGON HEAD SCREW	30	

AUX GEAR BOX ASSY- 4WD -C7305762



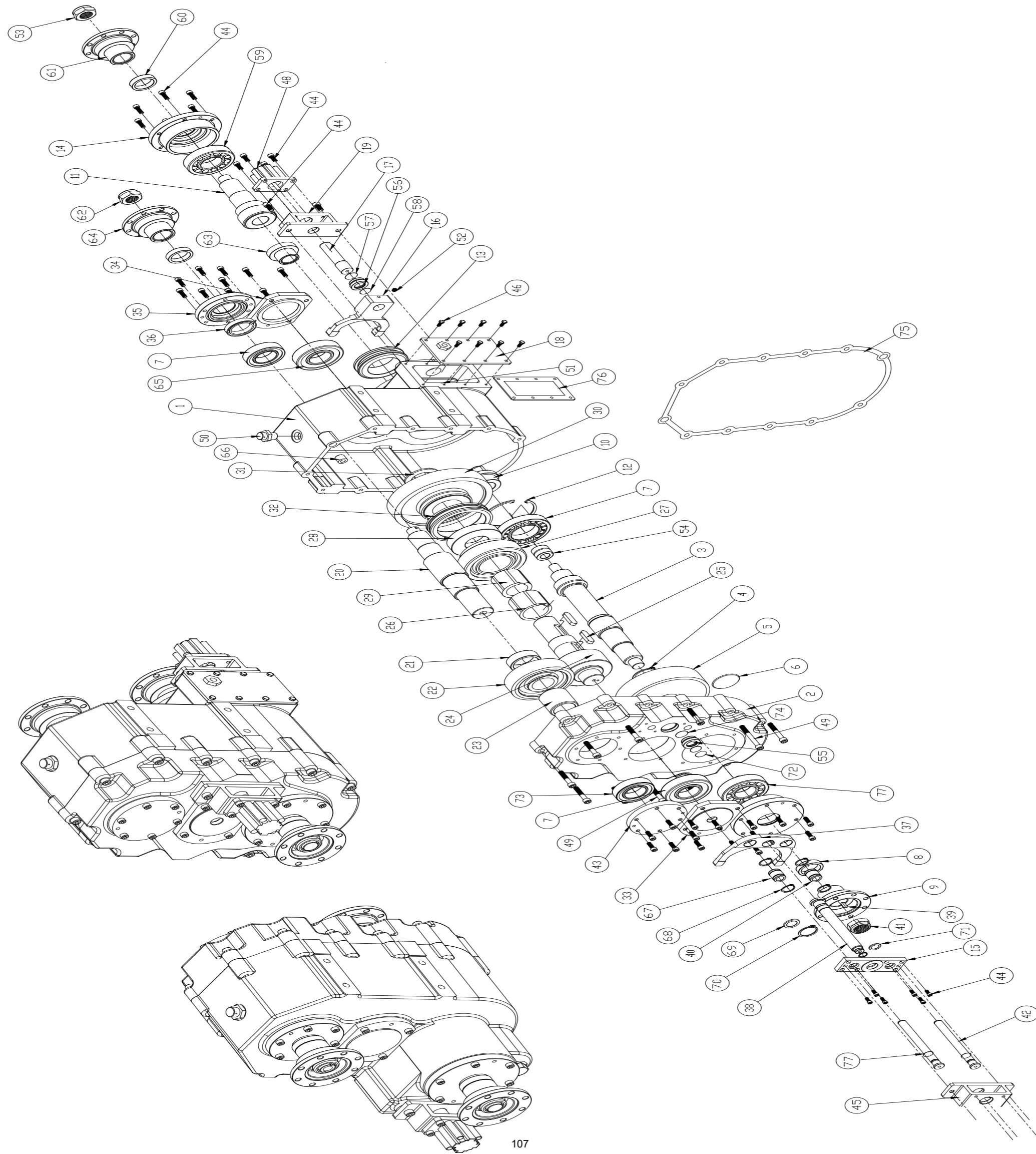
F-15

TRANSMISSION		AUX GEAR BOX ASSY- 4WD		
S No	Part No	Description	Qty	Remarks
46	C8G956010070	DOWTY SEAL	2	
47	21-M-7-069	MAGNETIC PLUG	1	
48	C84223725600	OIL LEVEL PLUG	1	
49	C7305800	'O' RING	2	
50	C7305801	'O' RING	1	
51	C7305803	OILSEAL INPUT SHAFT	1	
52	C7301163	OIL SEAL OUTPUT	2	
53	C7301660	DOG GEAR	1	
54	C7301671	COVER PLATE	1	
55	C9100734	CIRCLIP	1	
56	C7301164	GASKET	1	
57	C7301165	SPACER	1	
58	C7305802	O-RING	4	
59	C9100265	HEXAGON HEAD SCREW	1	
60	C7301154	SPEEDOMETER PIN	1	
61	C9101357	HEXAGON HEAD SCREW	4	
62	C9100307	PREVAILING TORQUE TYPE NUT	1	
63	C7301673	GASKET	1	
64	C9100278	CIRCLIP	1	
65	C7301661	SPACER	1	
66	C7301678	OUTPUT SHAFT REAR	1	
67	C7301824	NEEDLE ROLLER BEARING	1	
68	C9100445	HEXAGON HEAD SCREW	8	
69	C9100150	SPRING LOCK WASHER	8	
70	C7301681	GLAND	1	
71	C9100269	HEXAGON HEAD SCREW	4	
72	C7305761	GLAND	1	
73	C9101344	CASTLE NUT	1	
74	C9101345	SPLIT PIN	1	
75	C7305969	SHIM	1	
76	C7305970	SHIM	1	



F-15

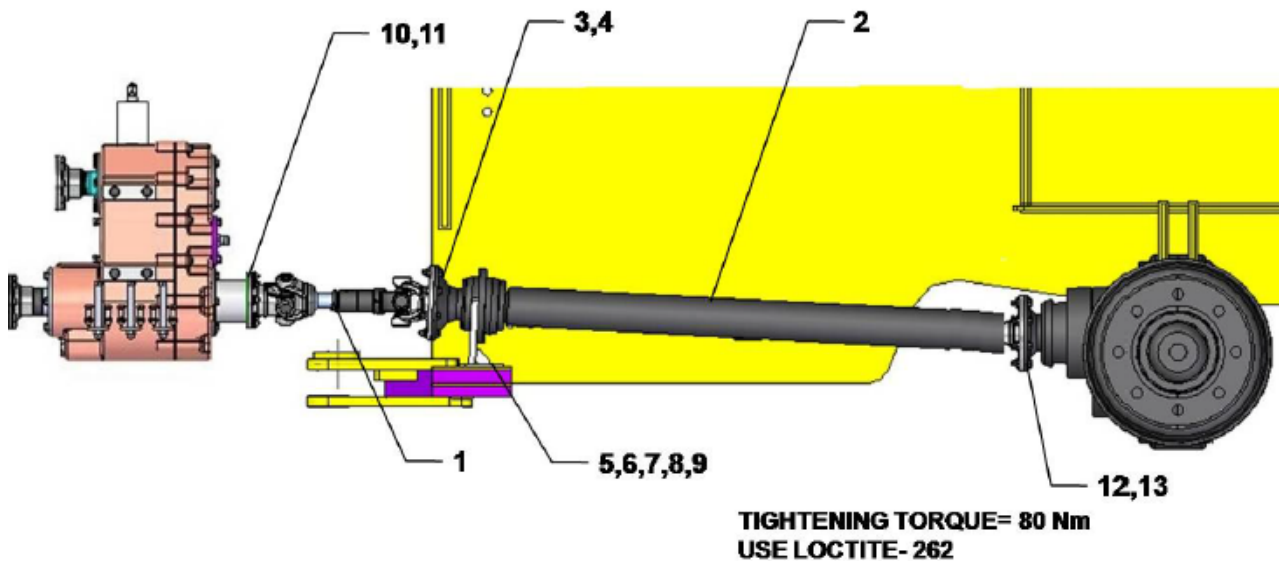
TRANSMISSION		TOP GEAR – 7306956		
S No	Part No	Description	Qty	Remarks
1	7306956-01	HOUSING	1	
2	7306956-02	HOUSING COVER	1	
3	7306956-03	OUTPUT SHAFT	1	
4	7306956-04	EXT. CIRCLIP : A-58	1	
5	7306956-05	OP GEAR 39 T	1	
6	7306956-06	OP SHAFT SPACER	1	
7	7306956-07	CYL. ROLLER BRG. NJ 213	1	
8	7306956-08	IP / OP FLANGE SPACER	3	
9	7306956-09	O/P FLANGE	3	
10	7306956-010	SHIFTER COUPLING 4X4	1	
11	7306956-024	OUTPUT SHAFT -1	1	
12	7306956-012	INT. CIRCLIP : B-120	1	
13	7306956-013	SHIFTER CLUTCH 4X4	1	
14	7306956-014	OUTPUT BRG. COVER	2	
15	7306956-015	SHIFTER ROD PLATE - 1	1	
16	7306956-016	SHIFTER 4X4	1	
17	7306956-017	SHIFTER ROD 4X4	1	
18	7306956-018	POCKET COVER	1	
19	7306956-019	CYLINDER MOUNTING BKT. 4X4	1	
20	7306956-020	IP SHAFT WITH PINION Z-16, M-3.5	1	
21	7306956-021	GEAR 1 SPACER - 2	1	
22	7306956-022	GEAR 40 T	1	
23	7306956-023	GEAR 1 SPACER - 1	1	
24	7306956-024	INT. SHAFT (Z-21 M-5)	1	
25	7306956-026	BER KEY : 14 X 9 X 50	2	
26	7306956-26	BUSH - 1	1	
27	7306956-27	DOG GEAR – 2 (40 T)	1	
28	7306956-010	SHIFTER COUPLING HI- LOW	1	
29	7306956-029	BUSH - 2	1	
30	7306956-030	DOG GEAR -1 (64 T)	1	
31	7306956-031	SPACER FOR SHIFTER	1	
32	7306956-032	SHIFTER CLUTCH HI- LOW	1	
33	7306956-33	INT. BRG. COVER - 1	1	
34	7306956-034	INT. BRG. COVER - 2	1	
35	7306956-035	INPUT BRG. COVER - 2	1	
36	7306956-036	OIL SEAL - 50 X 70 X 12	1	
37	7306956-037	SHIFTER HI- LOW	1	
38	7306956-038	SHIFTER ROD HI-LOW	1	
39	7306956-027	KEY 6X6X15	1	
40	7306956-040	SHIFTER BUSH	1	



F-15

TRANSMISSION		TOP GEAR – 7306956		
S No	Part No	Description	Qty	Remarks
41	7306956-041	HEX NUT M28X1.5P	1	
42	7306956-042	SHIFTER GUIDE ROD	2	
43	7306956-043	INPUT BRG COVER	1	
44	7306956-044	ALLEN BOLT – M8X20	50	
45	7306956-045	CYLINDER MOUNTING BRACKET HI- LOW	1	
46	7306956-046	HEX HEAD BOLT – M6 X 16	8	
47	7306956-033	CYLINDER HI- LOW	1	
48	7306956-048	CYLINDER 4 X 4	1	
49	7306956-049	ALLEN BOLT – M10 X 90	12	
50	7306956-050	3/4" BSP FILLER & BREATHER PLUG	1	
51	7306956-051	3/4" BSP DRAIN PLUG	1	
52	7306956-052	GRUB SCREW – M8 X 10	1	
53	7306956-053	HEX NUT M-28 X 1.5 P	1	
54	7306956-054	NEEDLE ROLLER BRG. 69/22	1	
55	7306956-055	SHIFTER ROD BUSH HI-LOW	1	
56	7306956-055	SHIFTER ROD BUSH 4X4	1	
57	7306956-057	"O" RING ID 30X3	1	
58	7306956-058	"O" RING ID 24X3	2	
59	7306956-059	CYL. ROLLER BEARING NJ2212	2	
60	7306956-060	OUTPUT COUPLING SPACER	1	
61	7306956-061	OUTPUT FLANGE	1	
62	7306956-041	HEX NUT M-28 X 1.5 P	1	
63	7306956-063	SHIFTER COUPLING 4X4	1	
64	7306956-061	OUTPUT FLANGE	1	
65	7306956-065	CYL. ROLLER BEARING NJ 310	1	
66	7306956-066	HOLLOW DOWELL	2	
67	7306956-040	SHIFTER BUSH	1	
68	7306956-068	EXT. CIRCLIP "A" 28	2	
69	7306956-069	SHIFTER ROD SPACER HI- LOW	1	
70	7306956-070	EXT CIRCLIP "A" 26	1	
71	7306956-071	SHIFTER ROD LOCKING CAP	1	
72		"O" RING ID 24X3	2	
73	7306956-073	CY. ROLLER BEARING 2210	2	
74	7306956-057	"O" RING ID 30X3	1	
75	7306956-075	HOUSING GASKET	1	
76	7306956-076	POCKET COVER GASKET	1	
77	7306956-059	CYL. ROLLER BEARING NJ 2212	1	

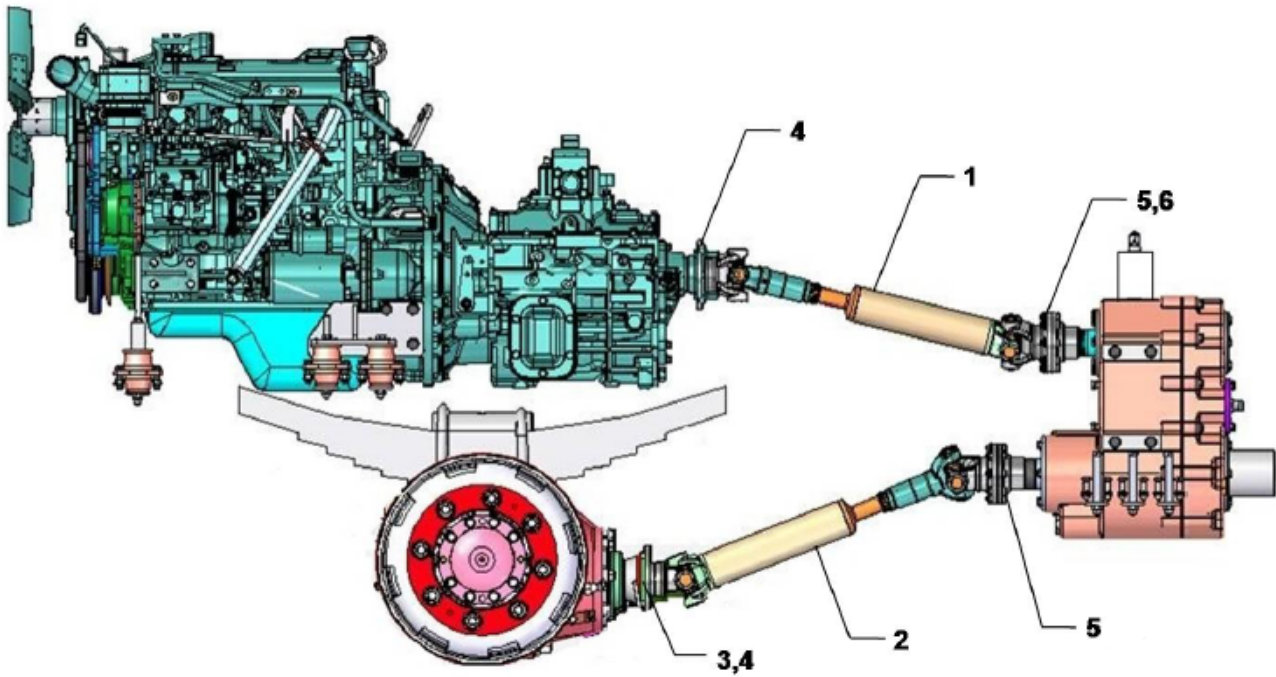
FRONT DRIVELINE INSTALLATION



F-15

TRANSMISSION		FRONT DRIVELINE INST.		
S No	Part No	Description	Qty	Remarks
1	7305659	PROPELLER SHAFT	1	
2	7310020	PROPELLER SHAFT	1	
3	9101216	BOLT HEX - 3/8" UNF x 1-1/2"	8	
4	9100420	NUT HEX. - 3/8" UNF BS-17	8	
5	C7304334	MTG. BRACKET	1	
6	9100537	HEXAGON HEAD BOLT-M12X50-10.9	4	
7	9100081	HEXAGON NUT- M12-8	4	
8	9100059	PUNCHED WASHER 14 A	4	
9	9100088	SPRING LOCK WASHER A12	4	
10	9100190	HEXAGON SOCKET HEAD CAP SCREW-M10X35	8	
11	9100617	PREVAILING TORQUE TYPE NUT-M10-12P	8	
12	9100268	HEXAGON HEAD SCREW - M12X45-10.9	4	
13	9100616	PREVAILING TORQUE TYPE NUT-M12-12-P	4	

REAR DRIVELINE INSTALLATION-7310055

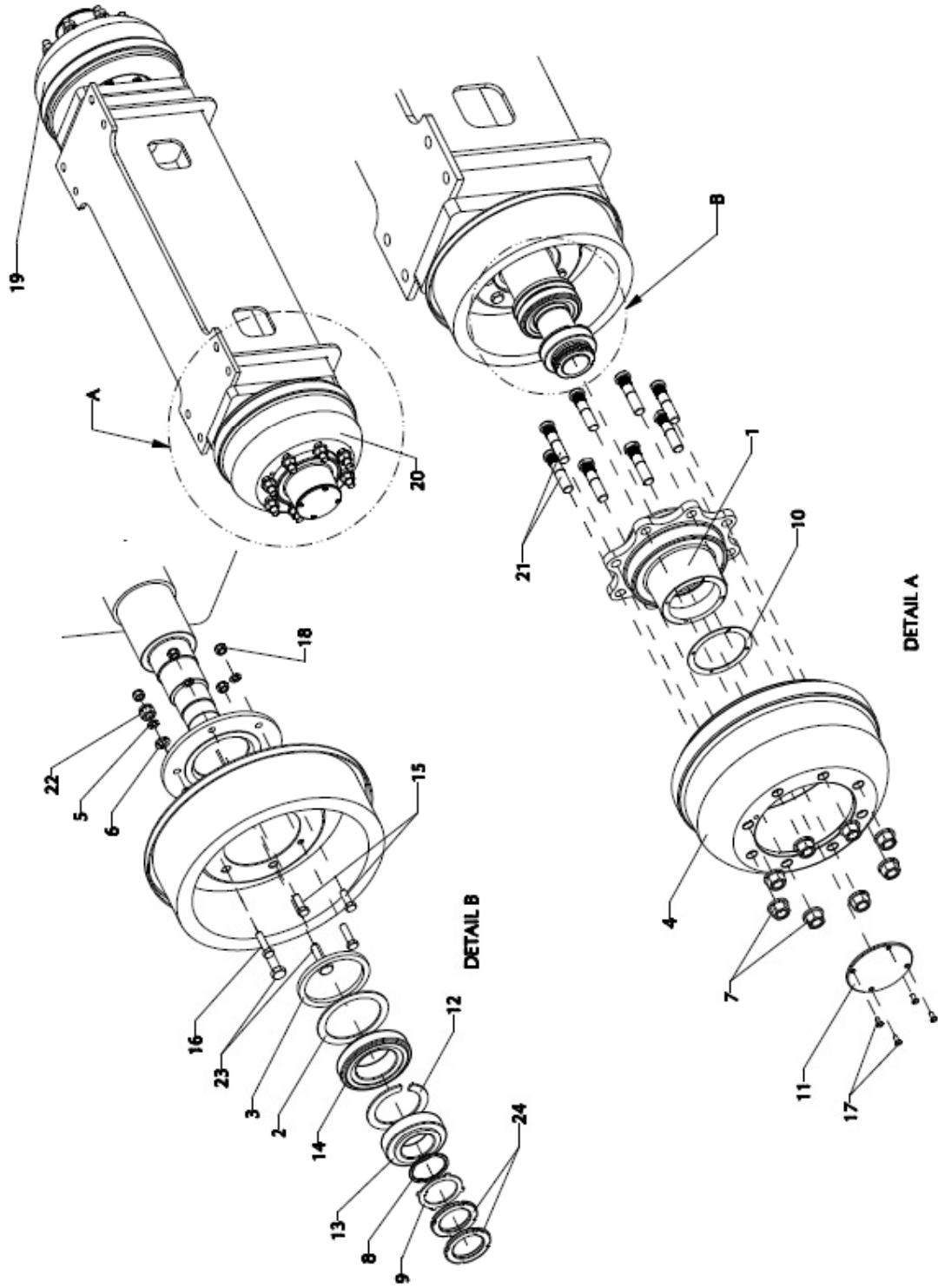


**TIGHTENING TORQUE= 80 Nm
USE LOCTITE- 262**

F-15

TRANSMISSION		REAR DRIVELINE INSTALLATION		
S No	Part No	Description	Qty	Remarks
1	C7303701	PROPELLER SHAFT (GEAR BOX TO AGB)	1	
2	C7305662	PROPELLER SHAFT (AGB TO REAR AXLE)	1	
3	C9101222	M12X45-10.9	4	
4	C9100616	PREVAILING TORQUE TYPE NUT-M12-IS 7002-12-P	8	
5	C9100190	HEXAGON SOCKET HEAD CAP SCREW ISO 4762- M10X35-12.9	16	
6	C9100617	PREVAILING TORQUE TYPE NUT-M10-IS7002-12P	16	

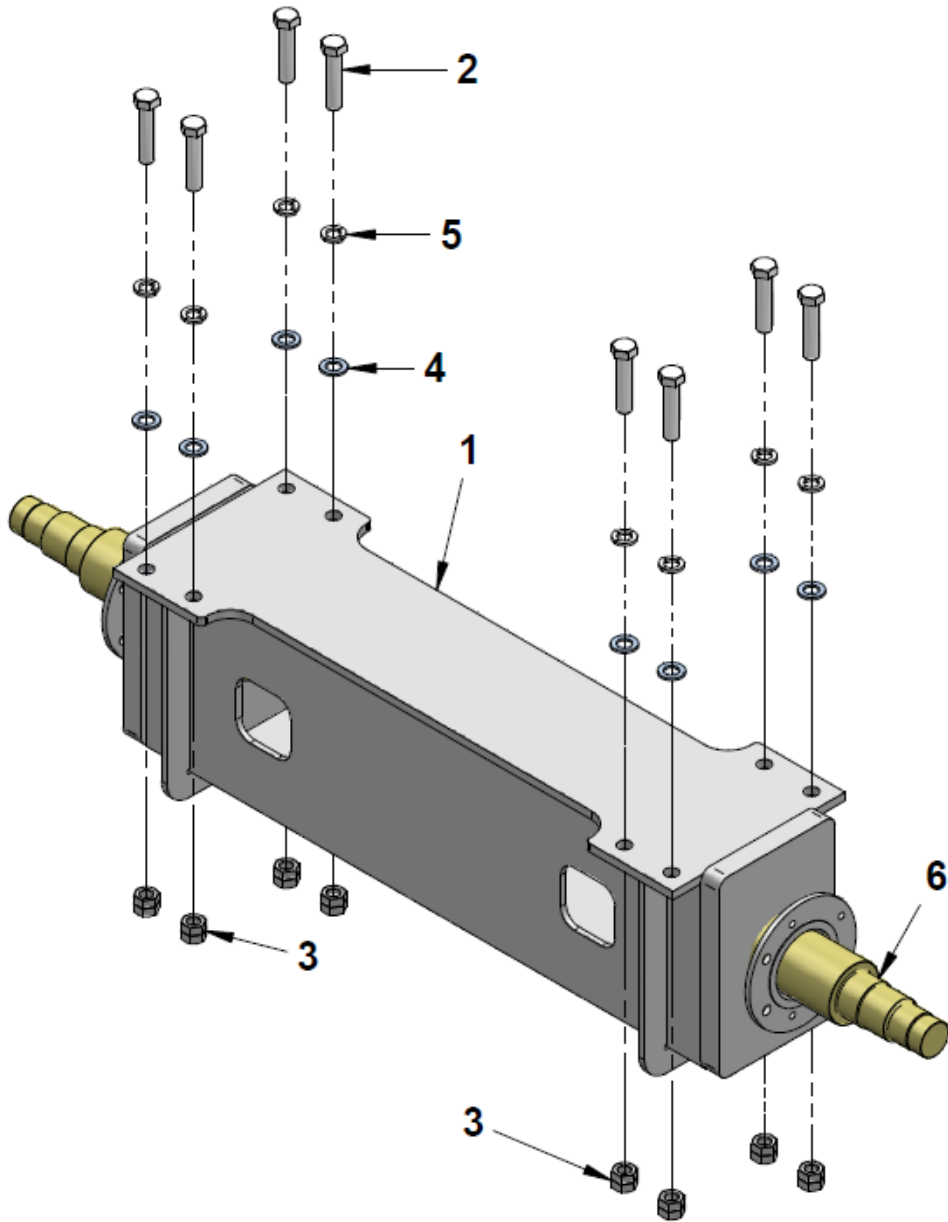
FRONT AXLE HUB - 2WD



F-15

TRANSMISSION		FRONT AXLE HUB - 2WD		
S No	Part No	Description	Qty	Remarks
1	7200283	FRONT HUB	2	
2	8602060	SPACER RING	2	
3	8602070	OIL SEAL	2	
4	7200305	BRAKE DRUM	2	
5	9100088	SPRING LOCK WASHER	8	
6	9100092	SPRING LOCK WASHER	4	
7	8PP10795000	WHEEL NUT	16	
8	8602130	SPACER	2	
9	8602150	LOCKING PLATE	2	
10	8602160	GASKET	2	
11	8602172	COVER PLATE	2	
12	8602180	CIRCLIP INTERNAL	2	
13	8N221042500	TAPER ROLLER BEARING	2	
14	8N221042800	TAPER ROLLER BEARING	2	
15	9100185	HEXAGON HEAD SCREW	4	
16	9100067	HEXAGON HEAD BOLT	4	
17	9100280	COUNTERSUNK SCREW	8	
18	9100060	PREVAILING TORQUE TYPE NUT	8	
19	V19258010	BREAK ASSY LH	1	
20	V19258020	BREAK ASSY RH	1	
21	7201000	WHEEL BOLT	16	
22	9100309	PREVAILING TORQUE TYPE NUT	4	
23	9100283	HEXAGON HEAD SCREW	4	
24	8602140	CASTLE NUT	4	

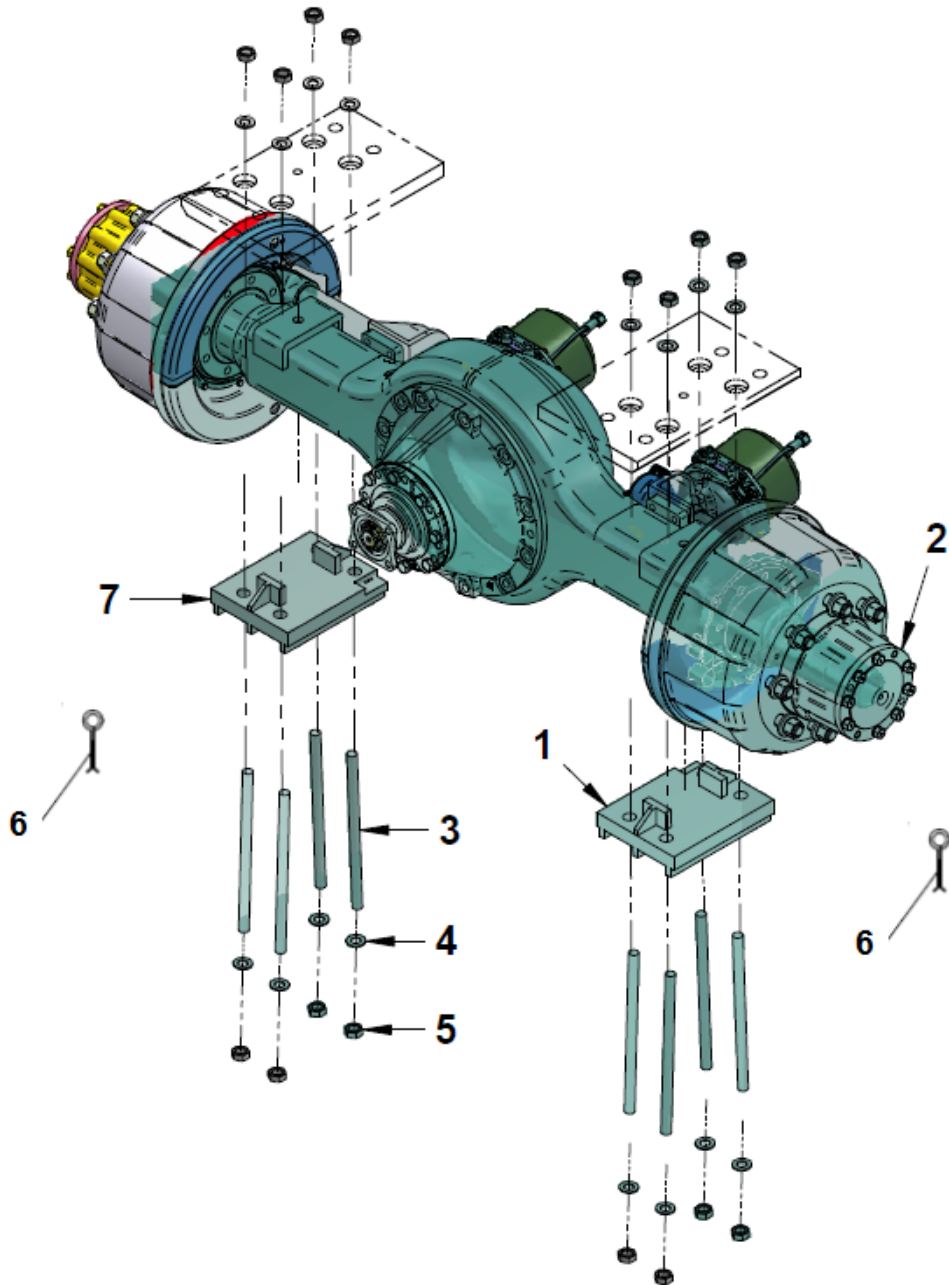
FRONT AXLE INSTALLATION 2WD



F-15

TRANSMISSION		FRONT AXLE INSTALLATION 2WD		
S No	Part No	Description	Qty	Remarks
1	847F1017000	FRONT AXLE FAB.	1	
2	C9101257	HEXAGON HEAD BOLT-IS 1364(PART1)/ISO 4014 -M24X110-10.9	8	
3	C9100189	HEXAGON NUT -IS 1364 (PART-3)/ISO 4032-M24-8	8	
4	C9100168	SPRING LOCK WASHER A24-IS:3063 (PHOSPHATE COATING)	8	
5	C9100063	PUNCHED WASHER A24 IS:2016-STEEL	16	
6	8V192607300	AXLE SHAFT	2	NS

FRONT AXLE INSTALLATION 4WD



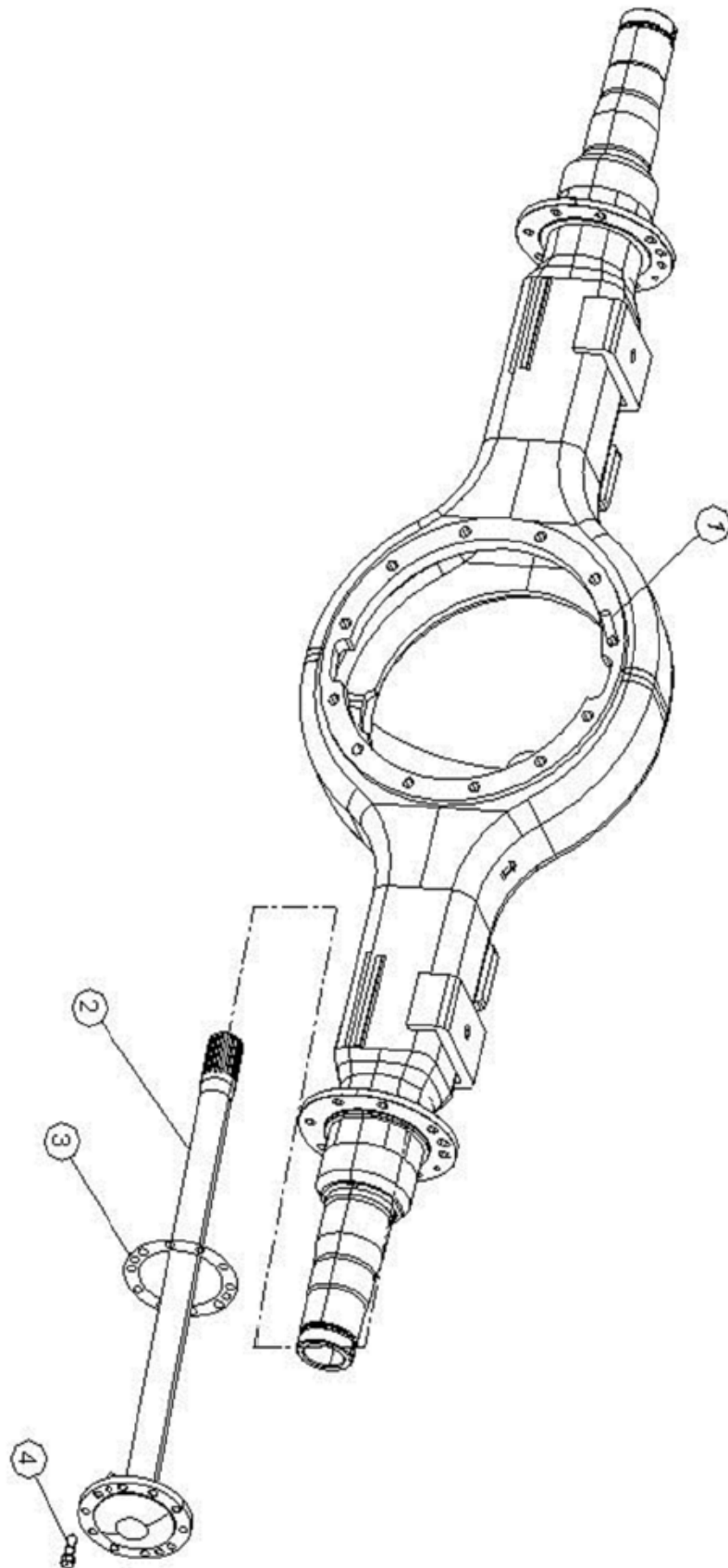
F-15

TRANSMISSION		FRONT AXLE INSTALLATION 4WD		
S No	Part No	Description	Qty	Remarks
1	C7303691	AXLE MTG. PLATE	1	
2	C7310019	AXLE ASSY. (VALVO EICHER)	1	
3	V22.79.005.0	STUD WITH BRAKE CHAMBER	8	
4	C9100063	PUNCHED WASHER A24 IS:2016-STEEL	16	
5	C9100422	HEX NUT (7/8" UNF, GR8.8)	32	
6	C9100101	PIN SPLIT (DIA 3.2X20)	2	
7	C7303690	AXLE MTG. PLATE	1	

F-15

TRANSMISSION		REAR AXLE INSTALLATION		
S No	Part No	Description	Qty	Remarks
2	V22.77.020.0	SPRING PAK 12T@16T REAR	2	
3	V22.77.018.0	PINS COMPLETE 705A	2	
4	41-M-1-008	TORSIONAL SCREW	2	
5	7308003	PIN LOWER	2	
6	22-C-1-237 B	MTG. BKT. R.H.	1	
7	22-M-2-023	SADDLE	2	
8	7303690	AXLE MTG. PLATE LH	1	
9	22-C-1-238 B	MTG. BKT. ASSY. L.H.	1	
10	7303700	AXLE ASSY. (VOLVO EICHER)	1	
11	8X227702800	U-BOLT-1/2"C/WNUTS& WASHERS	4	
12	9100422	NUT HEX.(7/8"UNF,GR 8.8)	16	
13	8X227701800	SPL. BOLT (M20X2.5-144 LG)	2	
14	8MBH12C2280	BOLT HEX. - SPRING RETAINER (M12X140LG)	2	
15	9100312	PUNCHED WASHER 22 A IS:2016-1967-STEEL	4	
16	8MNN20C0000	NUT NYLOC (M20X2.5)	4	
17	9100059	PUNCHED WASHER 14 A IS:2016-1967-STEEL	2	
18	9100060	PREVAILING TORQUE TYPE NUT-M12-IS 7002-8-P	2	
19	22-M-2-028 A	PIN UPPER	2	
20	826M50020-0	PIN FORK	2	
21	80PS3200200	PIN SPLIT - DIA 3.2x20	1	
22	7303691	AXLE MTG. PLATE RH	1	
23	8V227702100	MS RUBBERIZED BUSH	2	

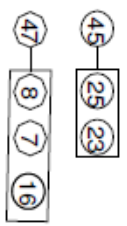
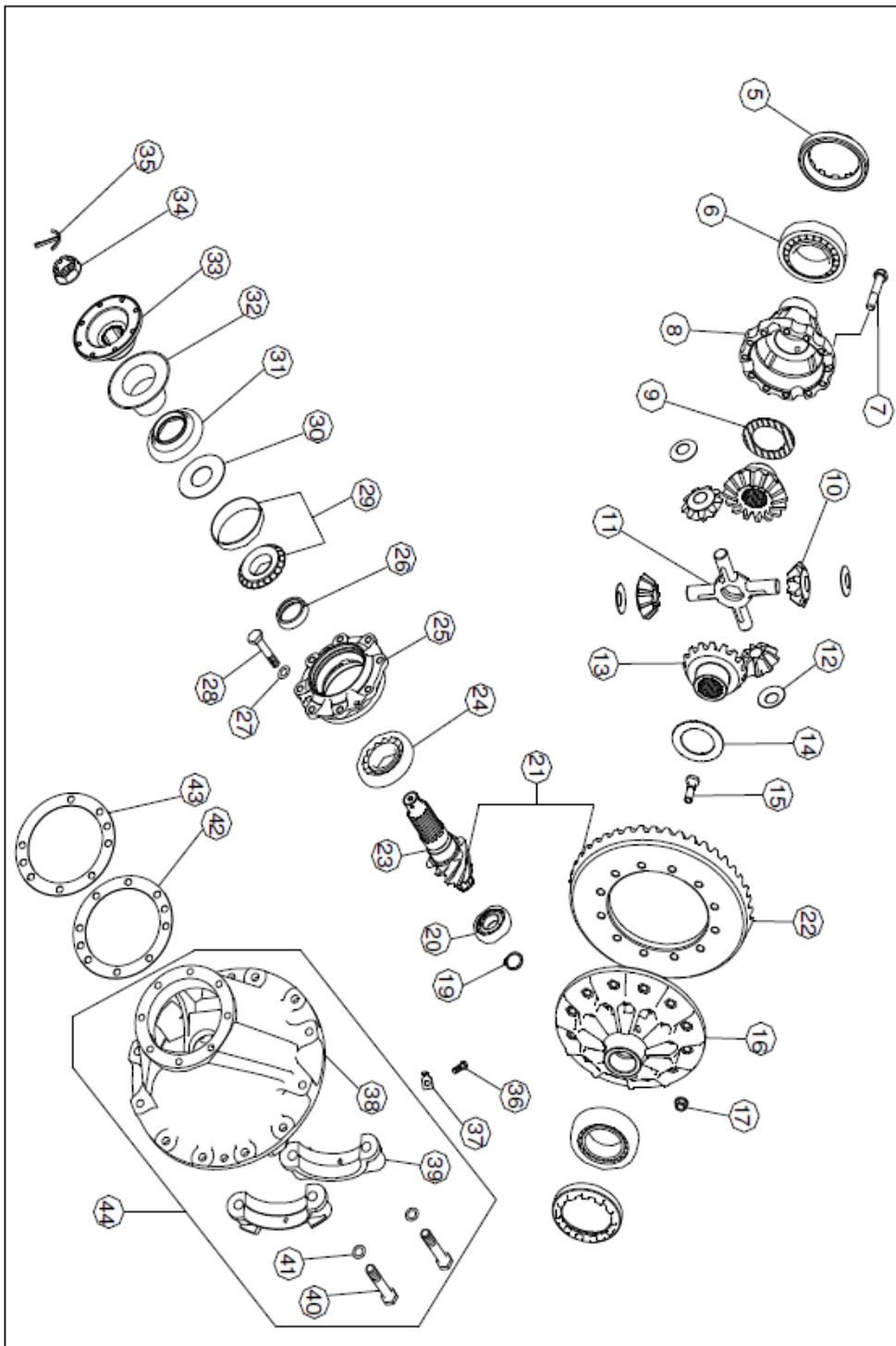
REAR AXLE HOUSING (VE)



F-15

TRANSMISSION		REAR AXLE HOUSING (VE)		
S NO	PART NO	DESCRIPTION	QTY	REMARKS
1	C7303700.099	REAR AXLE HSG	1	
2	C7303700.109	SHAFT REAR AXLE	2	
3	C7303700.015	GASKET,REAR AXLE SHAFT,HCV	2	
4	C7303700.008	BOLT, REAR AXLE SHAFT	20	

REAR AXLE DIFFERENTIAL

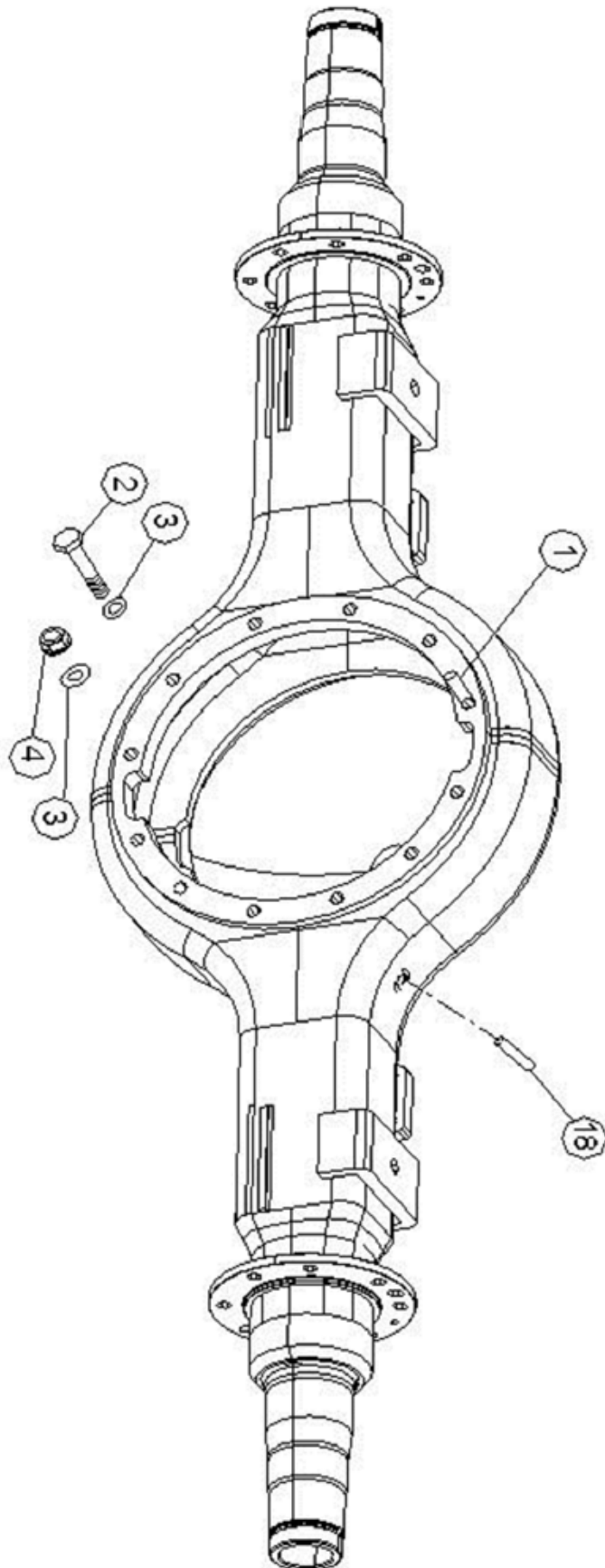


46

F-15

TRANSMISSION		REAR AXLE DIFFERENTIAL		
S NO	PART NO	DESCRIPTION	QTY	REMARKS
5	C7303700.006	LOCK NUT	2	
6	C7303700.100	BEARING REAR AXLE HCV	2	
7	C7303700.026	BOLT CASE DIFFERENTIAL	12	
8	C7303700.004	CASE DIFFERENTIAL LH	1	
8	C7303700.029	SET CASE DIFFERENTIAL	1	
9	C7303700.034	SPACER DIFFERENTIAL GEAR (2.8)	1	
10	C7303700.078	PINION, DIFFERENTIAL	4	
11	C7303700.072	SPIDER - HCV	1	
12	C7303700.022	SPACER DIFFERENTIAL PINION	4	
13	C7303700.077	GEAR DIFFERENTIAL	2	
14	C7303700.021	SPACER DIFFERENTIAL GEAR (2.7)	1	
15	C7303700.044	BOLT GEAR FINAL DRIVE	12	
16	C7303700.005	CASE DIFFERENTIAL RH	1	
17	C7303700.027	FLANGE NUT	12	
19	C7303700.020	LOCK RING	1	
20	C7303700.046	BEARING PINION PILOT HCV	1	
21	C7303700.067	GEAR SET (6.166) N=(37X6)	1	
22	C7303700.065	GEAR FINAL DRIVE	1	
23	C7303700.066	PINION FINAL DRIVE	1	
24	C7303700.019	BEARING, PINION INNER - HCV	1	
25	C7303700.068	BEARING RETAINERHCV	1	
26	C7303700.030	COLLAR,PINION F.D.	1	
27	C7303700.106	SPRING WASHER M14	8	
28	C7303700.025	BOLT BEARING RETAINER	8	
29	C7303700.035	BRG.,PINION OUTER	1	
30	C7303700.074	OIL SEPARATORHCV	1	
31	C7303700.016	OIL SEAL - HCV	1	
32	C7303700.017	SHIELD DUST - HCV	1	
33	C7303700.109	JOINT, PROPELLER SHAFT	1	
34	C7303700.018	NUT,PINION,FINAL DRIVE-HCV	1	
35	C7303700.036	SPLIT PIN	1	
36	C7303700.102	BOLT LOCK PLATE	2	
37	C7303700.033	PLATE LOCK	2	
38	C7303700.002	CARRIER DIFFERENTIAL - HCV	1	
39	C7303700.003	BEARING CAP	2	
40	C7303700.024	BOLT BEARING CAP	4	
41	C7303700.031	SHIM 'A'	AR	
42	C7303700.032	SHIM 'B'	AR	
43	C7303700.028	SET CARRIER DIFFERENTIAL	1	
44	C7303700.108	SPRING WASHER M22	4	
45	C7303700.079	KIT OIL SEPARATOR	1	
46	C7303700.060	ASSY. CARRIER DIFFERENTIAL(6.166)	1	

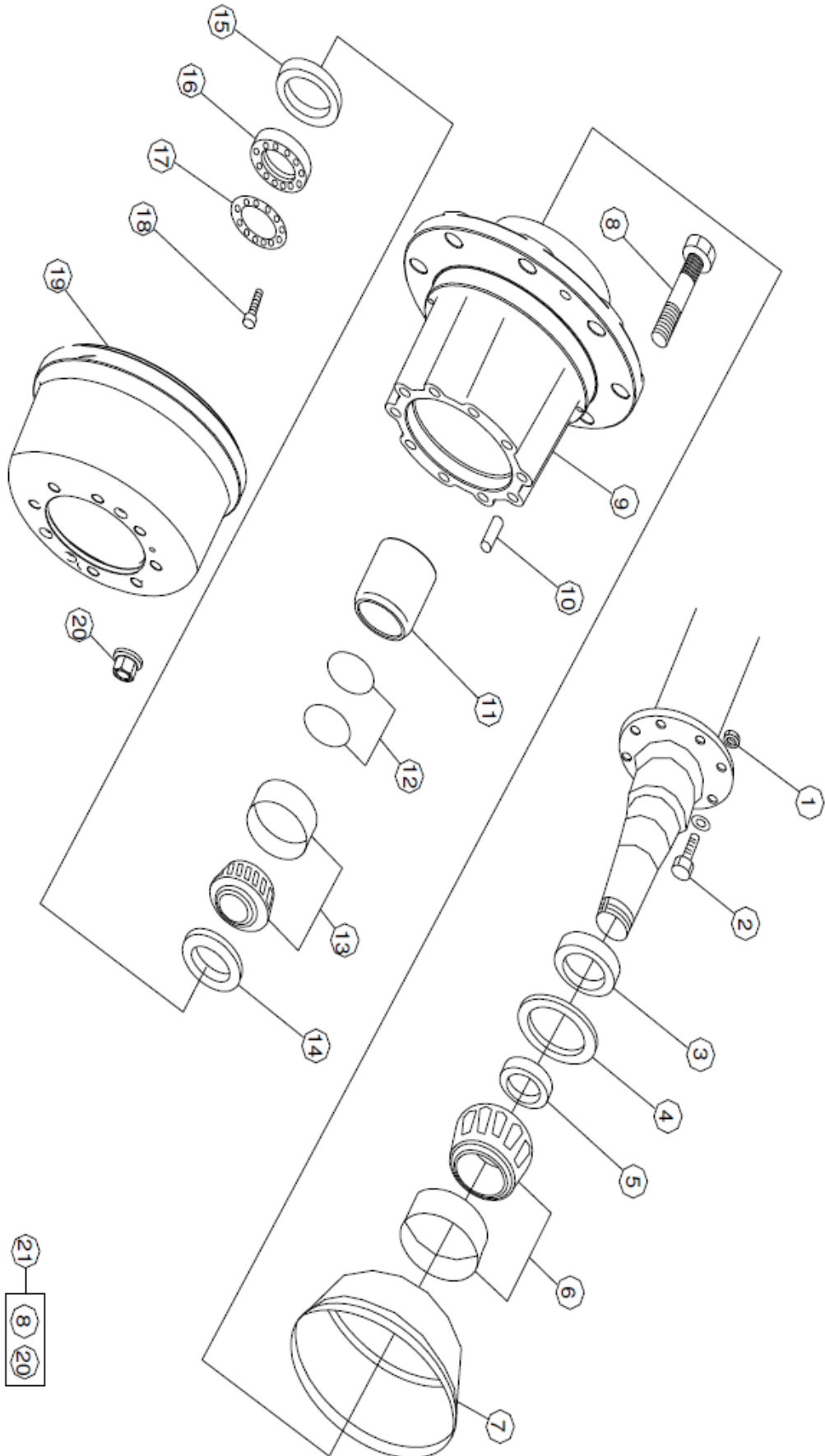
REAR AXLE DIFFERENTIAL



F-15

TRANSMISSION		REAR AXLE DIFFERENTIAL		
S NO	PART NO	DESCRIPTION	QTY	REMARKS
1	C7303700.023	STUD CARRIER DIFF MOUNTING	4	
2	C7303700.063	BOLT FLANGE M16X2X55	8	
3	C7303700.107	WASHER(16)	16	
4	C7303700.041	NUT M16	4	
18	C7303700.098	BREATHER PLUG (MAV E2)	1	

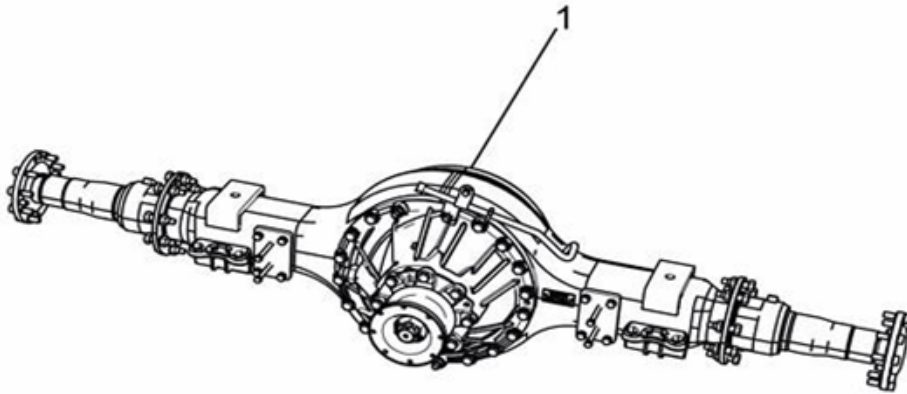
REAR AXLE HUB & DRUM



F-15

TRANSMISSION		REAR AXLE HUB & DRUM		
S NO	PART NO	DESCRIPTION	QTY	REMARKS
1	C7303700.001	NUT, BRAKE MOUNTING-(M16 X 1.5)	16	
2	C7303700.047	BOLT, BRAKE MOUNTING	16	
3	C7303700.011	SPACER	2	
4	C7303700.007	OIL SEAL INNER	2	
5	C7303700.037	BEARING GREASE RETAINER	2	
6	C7303700.101	BEARING TAPPER ROLLER	2	
7	C7303700.040	COVER DUST	2	
8	C7303700.081	BOLT,WHEEL HUB,REAR	16	
9	C7303700.039	HUB	2	
10	C7303700.038	PIN, REAR AXLE SHAFT	4	
11	C7303700.073	SPACER	2	
12	C7303700.010	SHIM	1	
13	C7303700.100	BEARING REAR AXLE HCV	2	
14	C7303700.061	OIL SEAL REAR HUB OUTER (HCV)	2	
15	C7303700.009	SPACER SEAL OUTER - HCV	2	
16	C7303700.012	LOCK NUT WHEEL BEARING - HCV	2	
17	C7303700.013	LOCK WASHER	2	
18	C7303700.105	BOLT	4	
19	C7303700.059	DRUM BRAKE	2	
20	C7303700.080	WHEEL NUT - HCV	16	
21	C7303700.104	KIT BOLT & NUT ASSY WHEEL HUB	1	

REAR AXLE



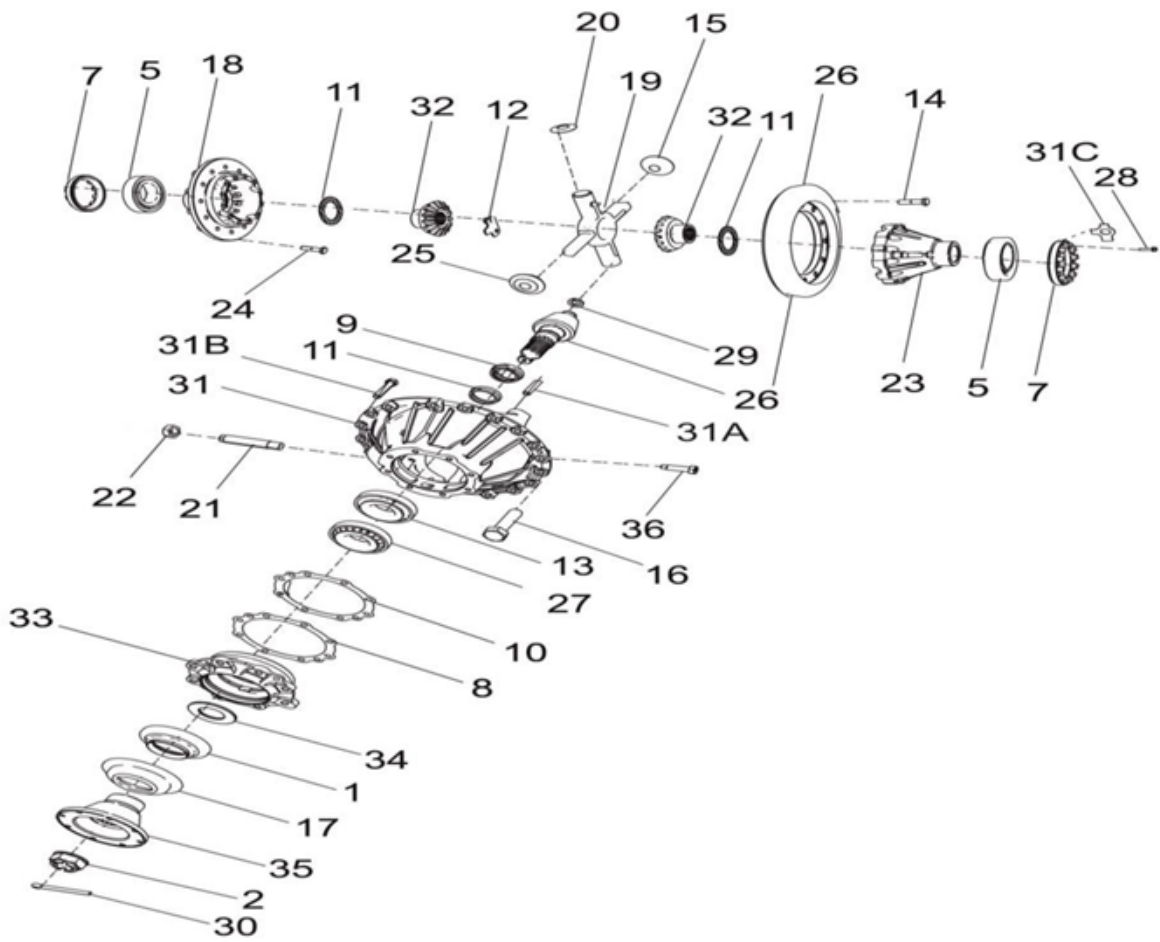
F-15

AXLE		REAR AXLE		
S No	Part No	Description	Qty	Remarks
1	7310019	REAR AXLE ASSY.	1	

F-15

AXLE		FRONT AXLE		
S No	Part No	Description	Qty	Remarks
1	7303700.001	NUT, BRAKE MOUNTING-(M16 X 1.5)	16	
2	7303700.015	GASKET,REAR AXLE SHAFT,HCV	2	
3	7303700.038	PIN, REAR AXLE SHAFT	4	
4	7303700.025	BOLT BEARING RETAINER	14	
5	7303700.008	BOLT, REAR AXLE SHAFT	16	
6	7306555.123	BREATHER ASSEMBLY	1	
7	7306561.227	NUT CAB. MOUNTING- HCV	4	
8	7306555.139	BOLT M8x1.25x16	1	
9	7303700.107	WASHER(16)	16	
10	7306555.132	SHAFT, REAR AXLE-F15	2	
11	7306555.14	SPRING WASHER M14	18	
12	7306555.136	STUD DIFF CARRIER MTG	4	
13	7306555.124	BRCKET T CONNECTOR	1	
14	7306555.044	CLAMP SUCTION HOSE-P/S HCV ECER	1	
15	7303819E.008	WASHER SPRING M10	4	
16	7303819E.014	CABLE BAND (L-150)	1	
17	7303819E.009	WASHER SPRING	8	
18	7306555.004	BOLT BOOSTER SUPPORT	4	
19	7306555.003	BOLT BRACKETSPG BRAKE ACT.	8	
20	7310019-006	HOUSING REAR AXLE	1	
20A	7306555.035	LEVEL PLUG	1	
20B	7306555.034	DRAIN PLUG	1	
21	7306555.134	ASSY. CARRIER DIFF. 440DH, 6.428FDR	1	

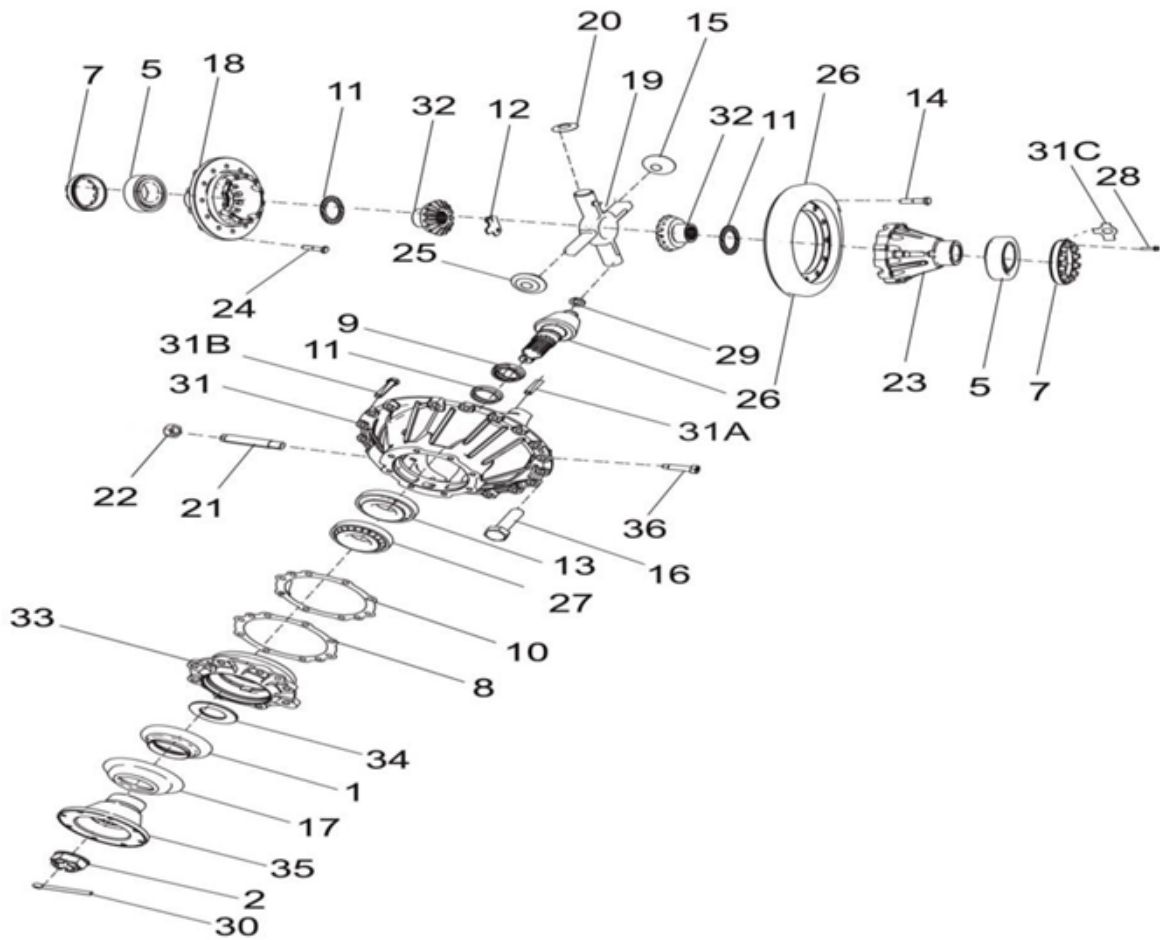
CARRIER DIFFERENTIAL ASSY



F-15

AXLE		CARRIER DIFFERENTIAL ASSY		
S No	Part No	Description	Qty	Remarks
1	7303700.016	OIL SEAL - HCV	1	
2	7303700.018	NUT,PINION,FINAL DRIVE-HCV	1	
3	7303700.027	FLANGE NUT	12	
4	7306555.007	CIRCLIP	1	
5	7306555.009	BEARING CASE DIFF. 440DH (30.25)	1	
6	7306555.011	BEARING PINION PILOT - 440DH. (30.25)	1	
7	7306555.013	LOCK NUT SIDE BRG (30.25)	2	
8	7306555.016	SHIM	1	
9	7306555.018	COLLAR PINION FD (17.750)	1	
	7306555.02	COLLAR PINION FD (17.800)	1	
	7306555.022	COLLAR PINION FD (17.850)	1	
	7306555.024	COLLAR PINION FD (17.900)	1	
	7306555.023	COLLAR PINION FD (17.875)	1	
	7306555.021	COLLAR PINION FD (17.825)	1	
	7306555.019	COLLAR PINION FD (17.775)	1	
10	7306555.017	SHIM	1	
11	7306555.015	SPACER - DIFF. GEAR	2	
12	7306555.012	LOCKING PLATE	2	
13	7306555.01	BEARING PINION FD INNER -440DH.(30.	1	
14	7306555.008	D-BOLT, GEAR F.D.	12	
15	7306555.006	SPACER - DIFF. PINION	4	
16	7303700.025	BOLT BEARING RETAINER	8	
17	7303700.017	SHIELD DUST - HCV	1	
18	7306555.039	SPIDER-MAV	1	
19	7306555.089	CONICAL WASHER	12	
20	7306555.122	PINION DIFFERENTIAL MCV 20MNCR5	4	
21	7306555.125	THRUST BOLT 458 DH	1	
22	7306555.126	NUT THRUST BOLT458 DH	1	
23	7306555.13	SET - CASE DIFFERENTIAL (440 DH)	1	
24	7306555.005	BOLT, CASE DIFF.- 440 DH.	12	
25	7306555.138	CONICAL WASHER M14	1	
26	7310019-007	SET - CWP (440DH-6.166FDR)	1	
27	7306555.137	BEARING FINAL DRIVE OUTER (30.25)	1	
28	7303819E.325	BOLT M8x1.25x30	4	
29	7306555.14	SPRING WASHER M14	8	
30	7306555.142	PIN SPLIT 5.0x50.0	1	

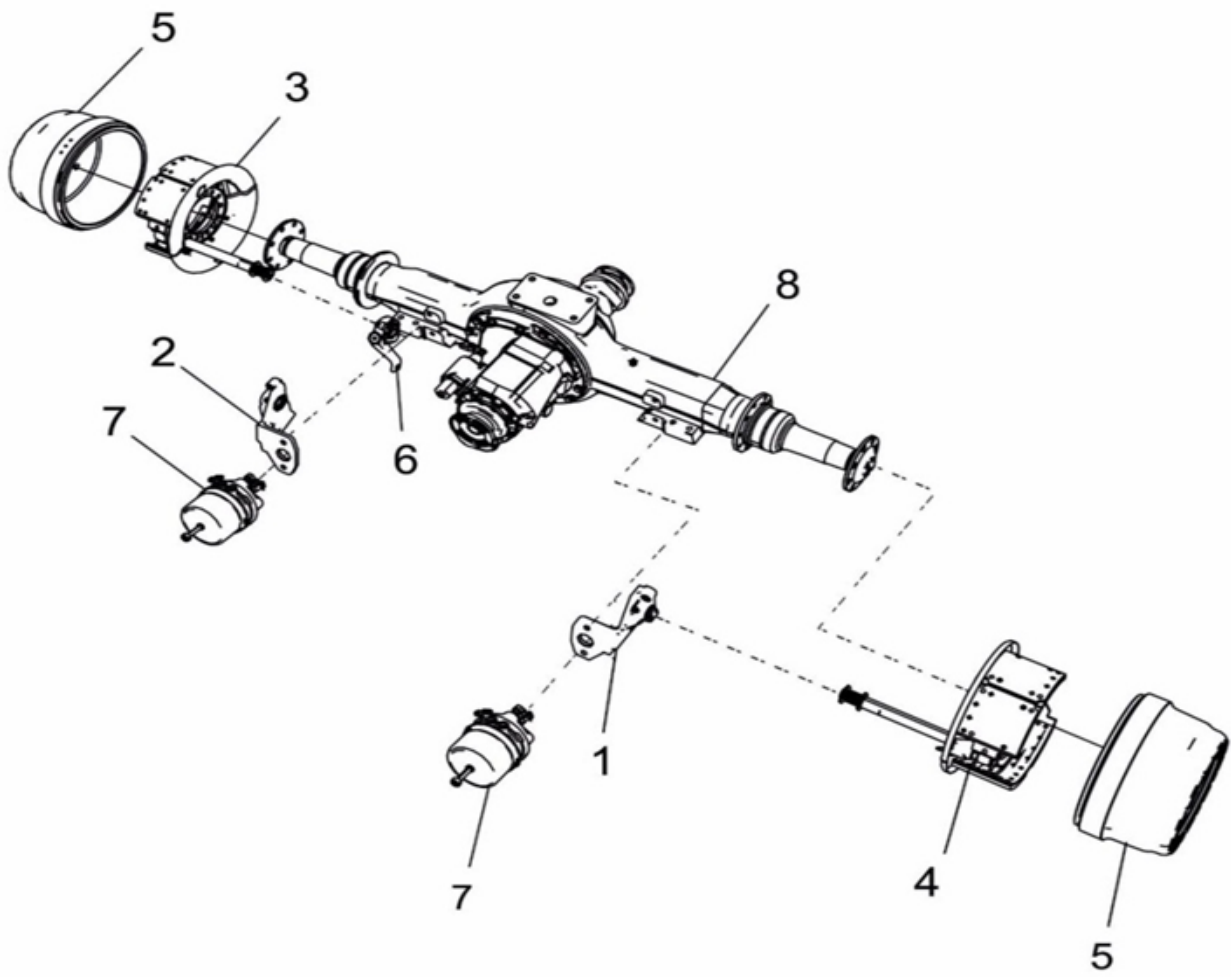
CARRIER DIFFERENTIAL ASSY



F-15

AXLE		CARRIER DIFFERENCIAL ASSY		
S No	Part No	Description	Qty	Remarks
31	7306555.129	SET - CARRIER DIFF.	1	
31A	7306555.127	DOWEL PIN BEARING CAP	4	
31B	7306555.128	BOLT-BRG. CAP M22x1.5-6g	4	
31C	7306555.014	LOCK PLATE- 440 DH (30.25)	4	
31	7310019-008	ASSY. CARRIER DIFF. 440DH, 6.166FDR	1	
32	7306555.121	GEAR DIFFERENTIAL MAV 20MNCR5	2	
	7306555.028	COLLAR PINION FD (18.000)	1	
	7306555.029	COLLAR PINION FD (18.025)	1	
33	7306555.036	BRG. RETAINER	1	
34	7306555.037	OIL SEPERATOR (30.25	1	
	7306555.026	COLLAR PINION FD (17.950)	1	
	7306555.027	COLLAR PINION FD (17.975)	1	
	7306555.025	COLLAR PINION FD (17.925)	1	
35	7310019-005	JOINT PROPELLERSHAFT	1	
36	7303700.047	BOLT, BRAKE MOUNTING	16	

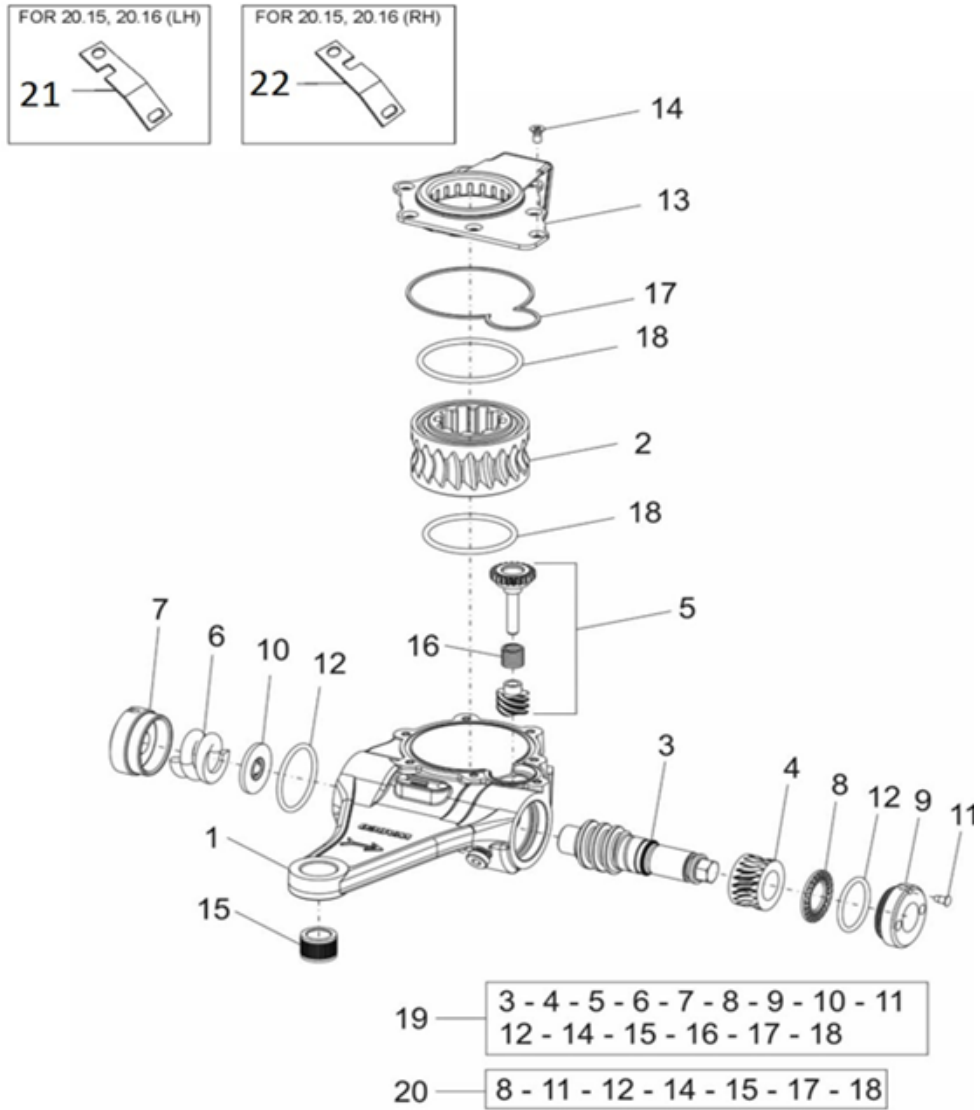
BRAKE ASSEMBLY



F-15

AXLE		BRAKE ASSEMBLY		
S No	Part No	Description	Qty	Remarks
1	7306555.002	BKT. SPRING BRAKE ACT.-LH	1	
2	7306555.001	BKT. SPRING BRAKE ACT.-RH	1	
3	7306555.106	BRAKE ASSY RR. RH DIA 410X180 ABS MAV	1	
4	7306555.105	BRAKE ASSY RR. LH DIA 410X180 ABS M	1	
5	7306555.031	BRAKE DRUM REAR (30.25)	2	
6	7306555.04	AUTO SLACK ADJUSTER OFFSET 16 mm	1	
6	7306555.041	AUTO SLACK ADJUSTER LH	1	
7	7306555.12	SBA TYPE 24/24 (10 BAR)	2	
8		INSTAL, REAR AXLE 440DH -6.428FDR	1	Non-Serviceable

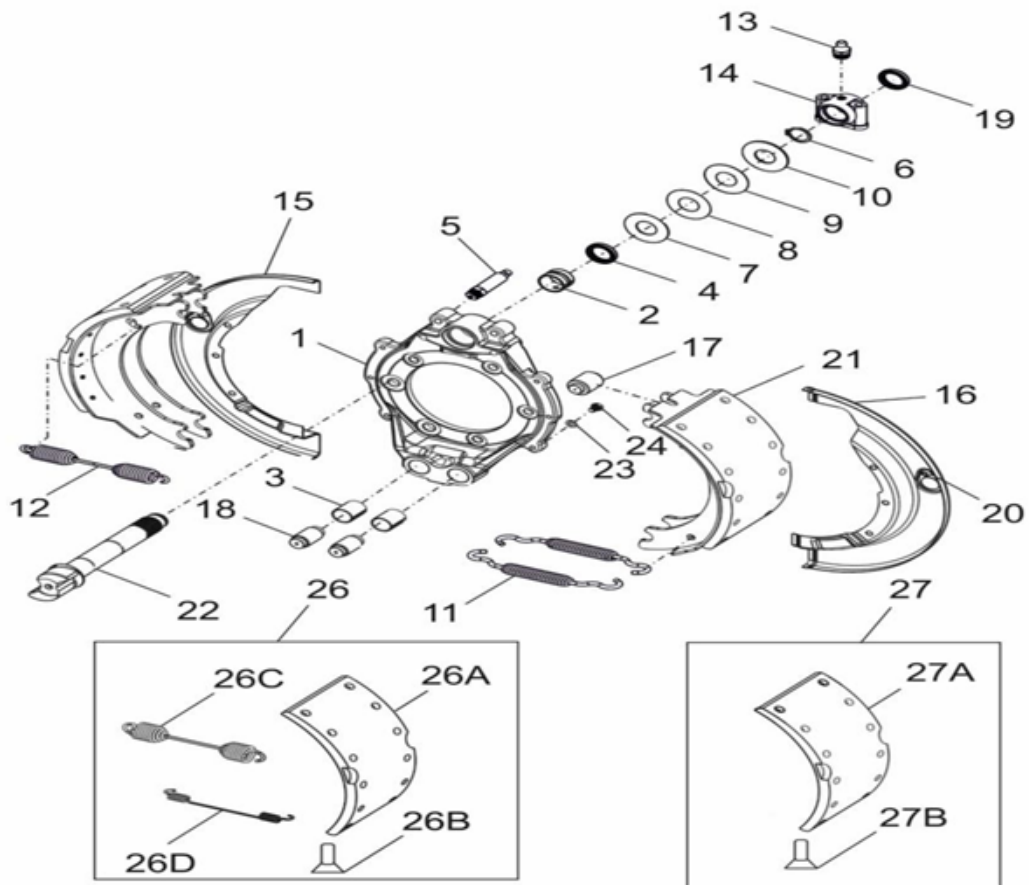
AUTO SLACK ADJUSTER



F-15

AXLE		AUTO SLACK ADJUSTER		
S No	Part No	Description	Qty	Remarks
1		BODY	1	Non-Serviceable
2		WORM GEAR	1	Non-Serviceable
3		WORM SHAFT	1	Non-Serviceable
4		CLUTCH WORM GEAR	1	Non-Serviceable
5		PINION ASSY	1	Non-Serviceable
6		SPRING	1	Non-Serviceable
7		SPRING RETAINING	1	Non-Serviceable
8		THRUST BEARING	1	Non-Serviceable
9		BEARING RETAINER	1	Non-Serviceable
10		SPRING SEAT	1	Non-Serviceable
11		TUBULAR RIVET	2	Non-Serviceable
12		SEALING RING	1	Non-Serviceable
13		COVER PLATE ASSY	1	Non-Serviceable
14		COUNTERSUNK HEAD SCREW	7	Non-Serviceable
14		COUNTERSUNK HEAD SCREW	7	Non-Serviceable
15		TAIL HOLE BUSH	1	Non-Serviceable
16		RETAINING SPRING	1	Non-Serviceable
17		GASKET	1	Non-Serviceable
18		O RING	2	Non-Serviceable
19	7306555.042	SERVICE KIT MAJOR	1	
20	7306555.043	SERVICE KIT MINOR	1	
21	7310019-002	BKT. CTRL ARM MTG. LH	1	
22	7310019-003	BKT. CTRL ARM MTG. MAV -RH	1	

BRAKE ASSY RR LH



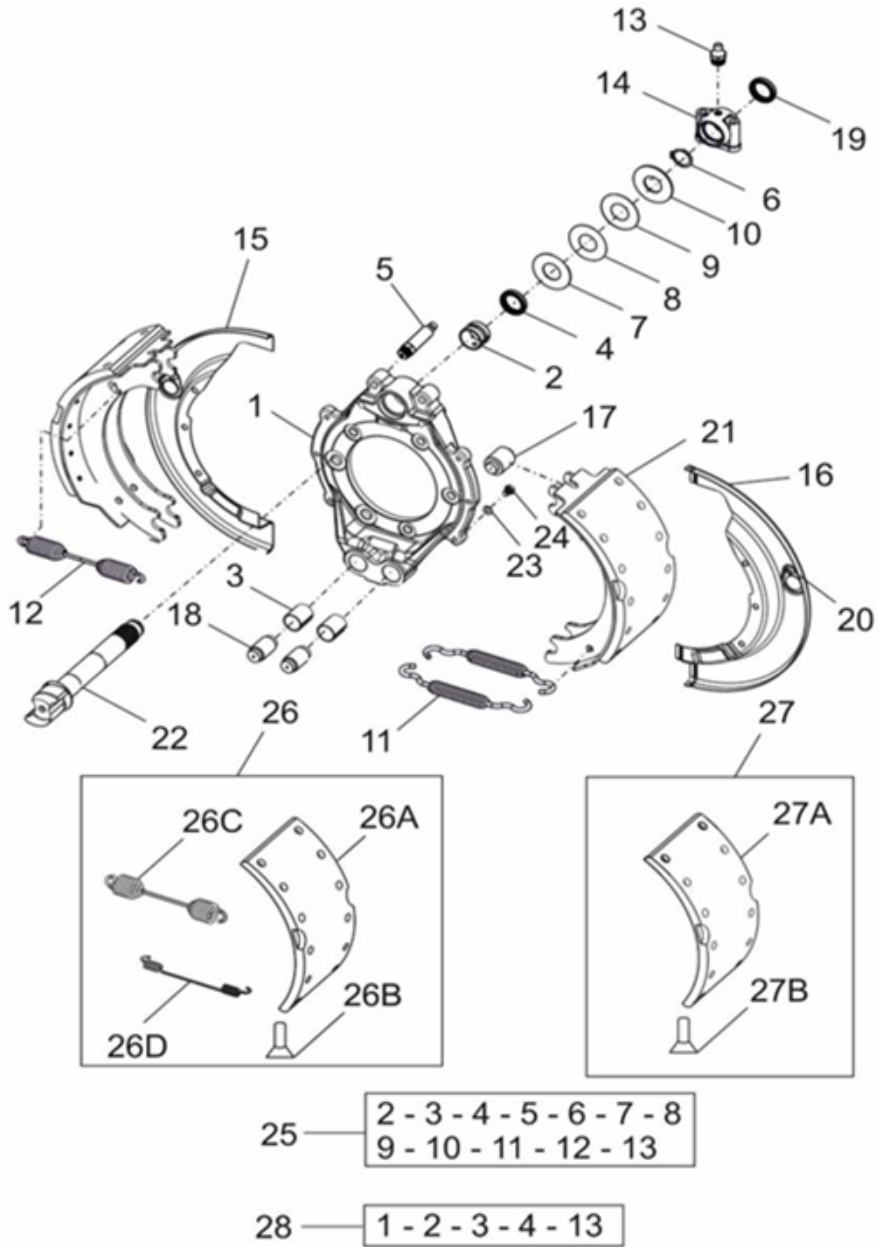
25 — 2 - 3 - 4 - 5 - 6 - 7 - 8
9 - 10 - 11 - 12 - 13

28 — 1 - 2 - 3 - 4 - 13

F-15

AXLE		BRAKE ASSY RR LH		
S No	Part No	Description	Qty	Remarks
1	7306555.094	TORQUE PLATE LH	1	
2	7303700.089	BUSH (METAL)	1	
3	7303700.057	FULCRUM PIN BUSH	2	
4	7303700.09	OIL SEAL	4	
5		GREASE NIPPLE	1	Non-Serviceable
6		CIRCLIP	1	Non-Serviceable
7		SHIM (1 MM)	2	Non-Serviceable
8		SHIM (0.5 MM)	1	Non-Serviceable
9		SHIM (0.3 MM)	1	Non-Serviceable
10		WASHER	1	Non-Serviceable
11	7306555.104	SPRING CAM END	1	
12	7303700.055	SHOE RETURN SPRING	2	
13		GREASE, NIPPLE TORQUE PLATE	1	Non-Serviceable
14	7303700.093	CAMSHAFT BRACKET	1	
15	7303700.094	DUST SHIELD ASSY-TOP	1	
16	7303700.095	DUST SHIELD ASSY-BOTTOM	1	
17	7303700.084	ROLLER	2	
18	7303700.056	FULCRUM PIN	2	
19	7306555.095	SLEEVE- DERLIN (45.0 MM)	1	
20	7306555.096	GROMMET	2	
21	7306555.108	LINED SHOE ASSY RR	2	
22	7306555.09	CAM SHAFT-LH	1	
23		WASHER	6	Non-Serviceable
24		BOLT	6	Non-Serviceable
25	7306555.109	KIT BUSH	1	
26	7306555.114	KIT LINING FIRST OVER SIZE RR WITH SPRING	1	
	7306555.115	KIT LINING SECOND OVER SIZE RR WITH	1	
	7306555.113	KIT LINING STANDARD SIZE RR WITH SPRING	1	
26A		LINING FIRST OVER SIZE	8	Non-Serviceable
		LINING SECOND OVER SIZE	8	Non-Serviceable
		LINING STANDARD SIZE	8	Non-Serviceable
26B		RIVET	80	Non-Serviceable
26C	7303700.055	SHOE RETURN SPRING	4	
26D	7306555.104	SPRING CAM END	2	
27	7306555.11	KIT LINING STANDARD SIZE RR WITHOUT	1	
27	7306555.111	KIT LINING FIRST OVERSIZE RR WITHOUT	1	
27	7306555.112	KIT LINING SECOND OVERSIZE RR WITHOUT	1	
27A	7306555.116	LINING STANDARD SIZE	8	
	7306555.117	LINING FIRST OVER SIZE	8	
	7306555.118	LINING SECOND OVER SIZE	8	
27B	7306555.107	RIVET	80	
28	7306555.092	KIT TORQUE PLATE ASSY LH(ABS)	1	

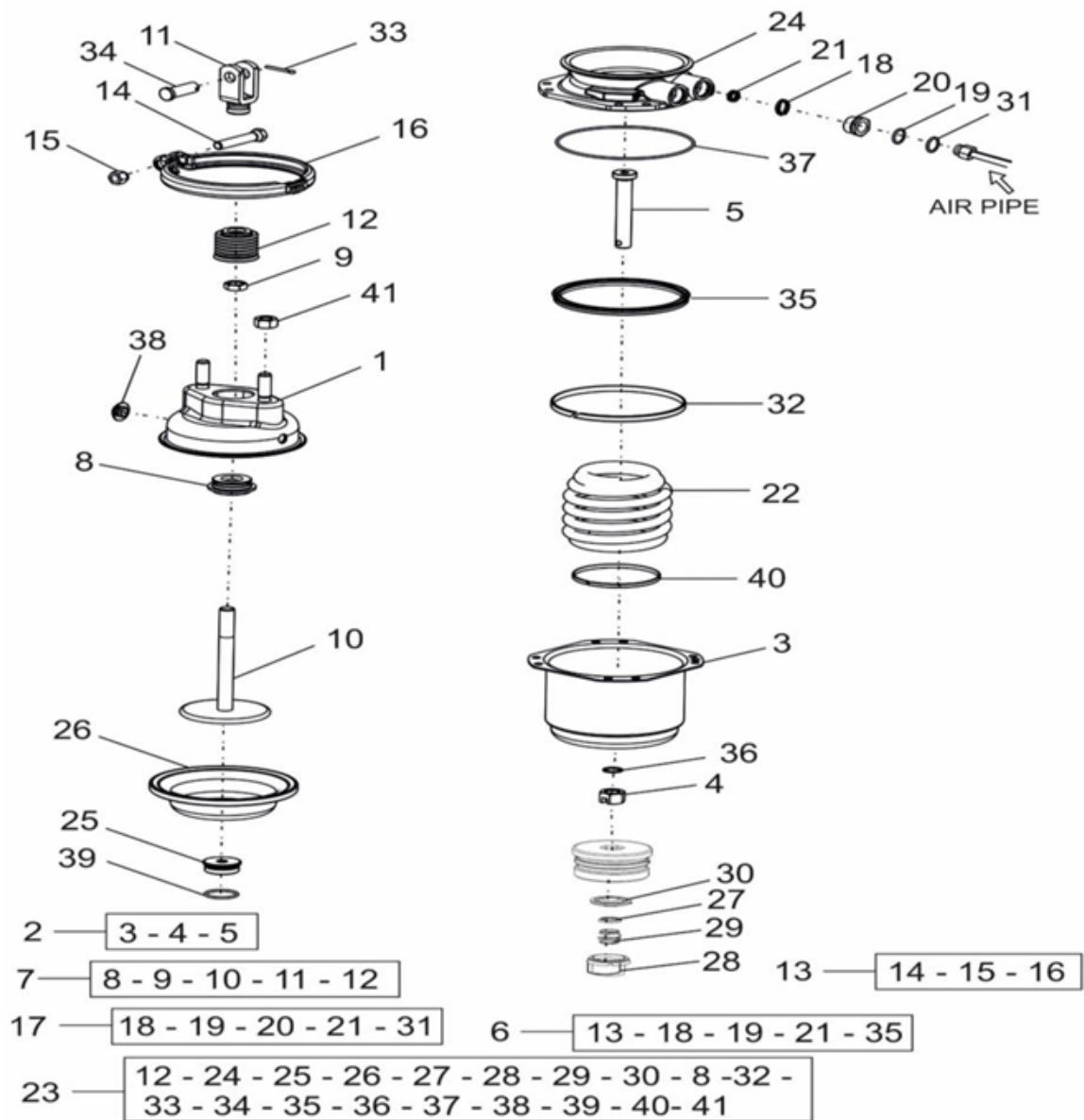
BRAKE ASSY RR RH



F-15

AXLE		BRAKE ASSY RR RH		
S No	Part No	Description	Qty	Remarks
1		TORQUE PLATE LH	1	Non-Serviceable
2	7303700.089	BUSH (METAL)	1	
3	7303700.057	FULCRUM PIN BUSH	2	
4	7303700.09	OIL SEAL	4	
5		GREASE NIPPLE	1	Non-Serviceable
6		CIRCLIP	1	Non-Serviceable
7		SHIM (1 MM)	2	Non-Serviceable
8		SHIM (0.5 MM)	1	Non-Serviceable
9		SHIM (0.3 MM)	1	Non-Serviceable
10		WASHER	1	Non-Serviceable
11	7306555.104	SPRING CAM END	1	
12	7303700.055	SHOE RETURN SPRING	2	
13		GREASE, NIPPLE TORQUE PLATE	1	Non-Serviceable
14	7303700.093	CAMSHAFT BRACKET	1	
15	7303700.094	DUST SHIELD ASSY-TOP	1	
16	7303700.095	DUST SHIELD ASSY-BOTTOM	1	
17	7303700.084	ROLLER	2	
18	7303700.056	FULCRUM PIN	2	
19	7306555.095	SLEEVE- DERLIN (45.0 MM)	1	
20	7306555.096	GROMMET	2	
21	7306555.108	LINED SHOE ASSY RR	2	
22	7306555.091	CAM SHAFT-RH	1	
23		WASHER	6	Non-Serviceable
24		BOLT	6	Non-Serviceable
25	7306555.109	KIT BUSH	1	
26	7306555.114	KIT LINING FIRST OVER SIZE RR WITH SPRING	1	
	7306555.115	KIT LINING SECOND OVER SIZE RR WITH	1	
	7306555.113	KIT LINING STANDARD SIZE RR WITH SPRING	1	
26A		LINING FIRST OVER SIZE	8	Non-Serviceable
		LINING SECOND OVER SIZE	8	Non-Serviceable
		LINING STANDARD SIZE	8	Non-Serviceable
26B		RIVET	80	Non-Serviceable
26C	7303700.055	SHOE RETURN SPRING	4	
26D	7306555.104	SPRING CAM END	2	
27	7306555.11	KIT LINING STANDARD SIZE RR WITHOUT	1	
27	7306555.111	KIT LINING FIRST OVERSIZE RR WITHOUT	1	
27	7306555.112	KIT LINING SECOND OVERSIZE RR WITHOUT	1	
27A	7306555.116	LINING STANDARD SIZE	8	
	7306555.117	LINING FIRST OVER SIZE	8	
	7306555.118	LINING SECOND OVER SIZE	8	
27B	7306555.107	RIVET	80	
28	7306555.093	KIT TORQUE PLATE ASSY LH(ABS)	1	

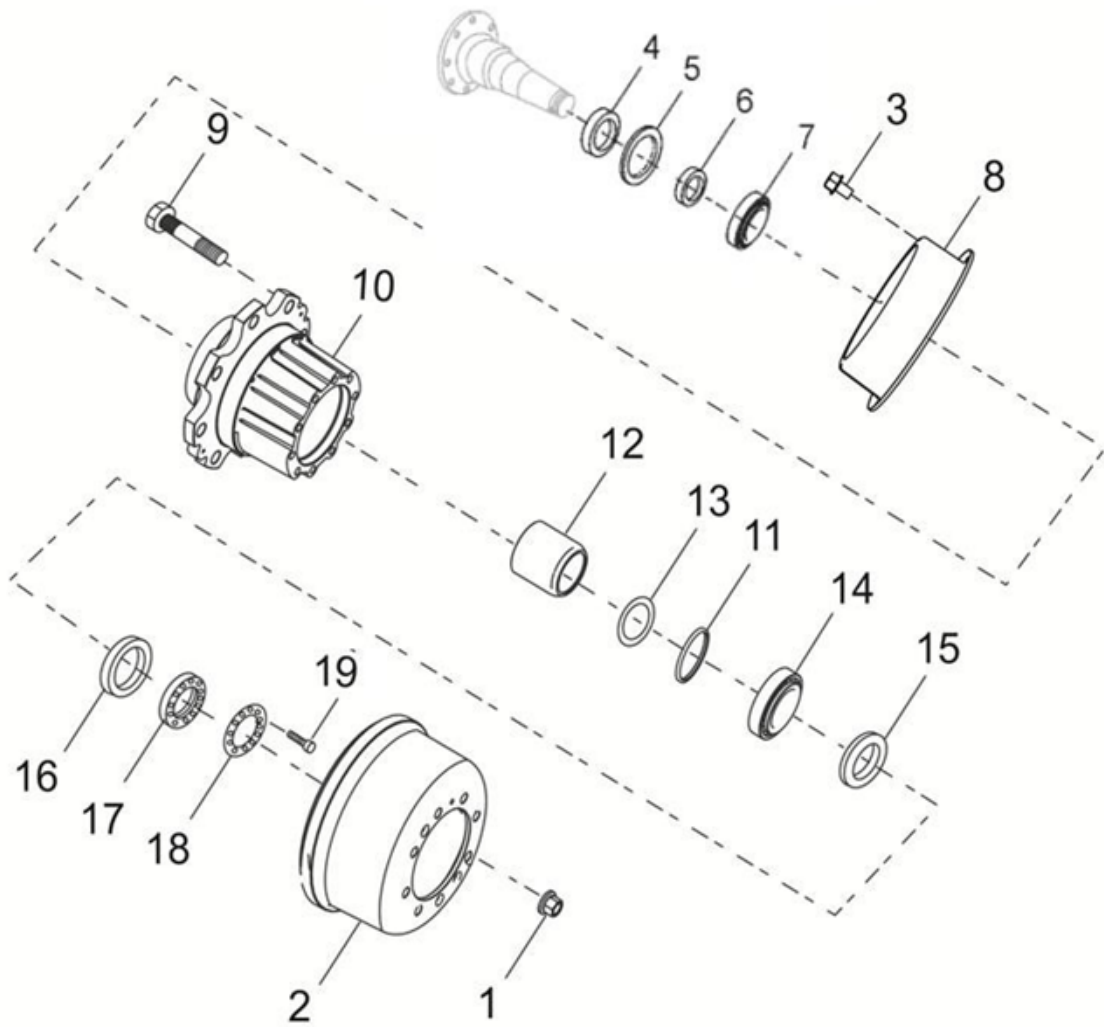
SPRING BRAKE ACTUATOR



F-15

AXLE		SPRING BRAKE ACTUATOR		
S No	Part No	Description	Qty	Remarks
1	7306555.1	NSN PRESSURE PLATE ASSEMBLY	1	
2	7306555.099	CYLINDER KIT	1	
3		CYLINDER COVER	1	Non-Serviceable
4		NUT	1	Non-Serviceable
5		ROD	1	Non-Serviceable
6	7306555.103	NG 12 MINSR KIT	2	
7	7306555.098	PUSH ROD ASSY KIT	1	
8		DUST SEAL	1	Non-Serviceable
9		LOCKING NUT	1	Non-Serviceable
10		PISTON	1	Non-Serviceable
11		FORK	1	Non-Serviceable
12		GAITER	1	Non-Serviceable
13	7306555.097	CLAMP RING KIT	1	
14		SCREW	1	Non-Serviceable
15		NUT	1	Non-Serviceable
16		CLAMP RING	1	Non-Serviceable
17	7306555.102	NG 12 MAJOR KIT	2	
18		RETAINING CLIP	1	Non-Serviceable
19		O-RING	1	Non-Serviceable
20		PRESSURE SCREW	1	Non-Serviceable
21		SPRING ELEMENT NG 12	1	Non-Serviceable
22	7306555.101	HEAVY COIL SPRING	1	
23	7306555.119	REPAIR KIT SBA 24/24	1	
24		SEAL	1	Non-Serviceable
25		CHECK VALVE	1	Non-Serviceable
26		DIAPHRAGM	1	Non-Serviceable
27		RING	1	Non-Serviceable
28		VALVE SEAT	1	Non-Serviceable
29		SPRING	1	Non-Serviceable
30		DIAPHRAGM	1	Non-Serviceable
31		O-RING	1	Non-Serviceable
32		BEARING	1	Non-Serviceable
33		SPLIT PIN	1	Non-Serviceable
34		PIN	1	Non-Serviceable
35		SEAL	1	Non-Serviceable
36		SEALING WASHER	1	Non-Serviceable
37		O-RING	1	Non-Serviceable
38		VALVE	1	Non-Serviceable
39		O-RING	1	Non-Serviceable
40		BEARING	1	Non-Serviceable
41		O-RING	1	Non-Serviceable

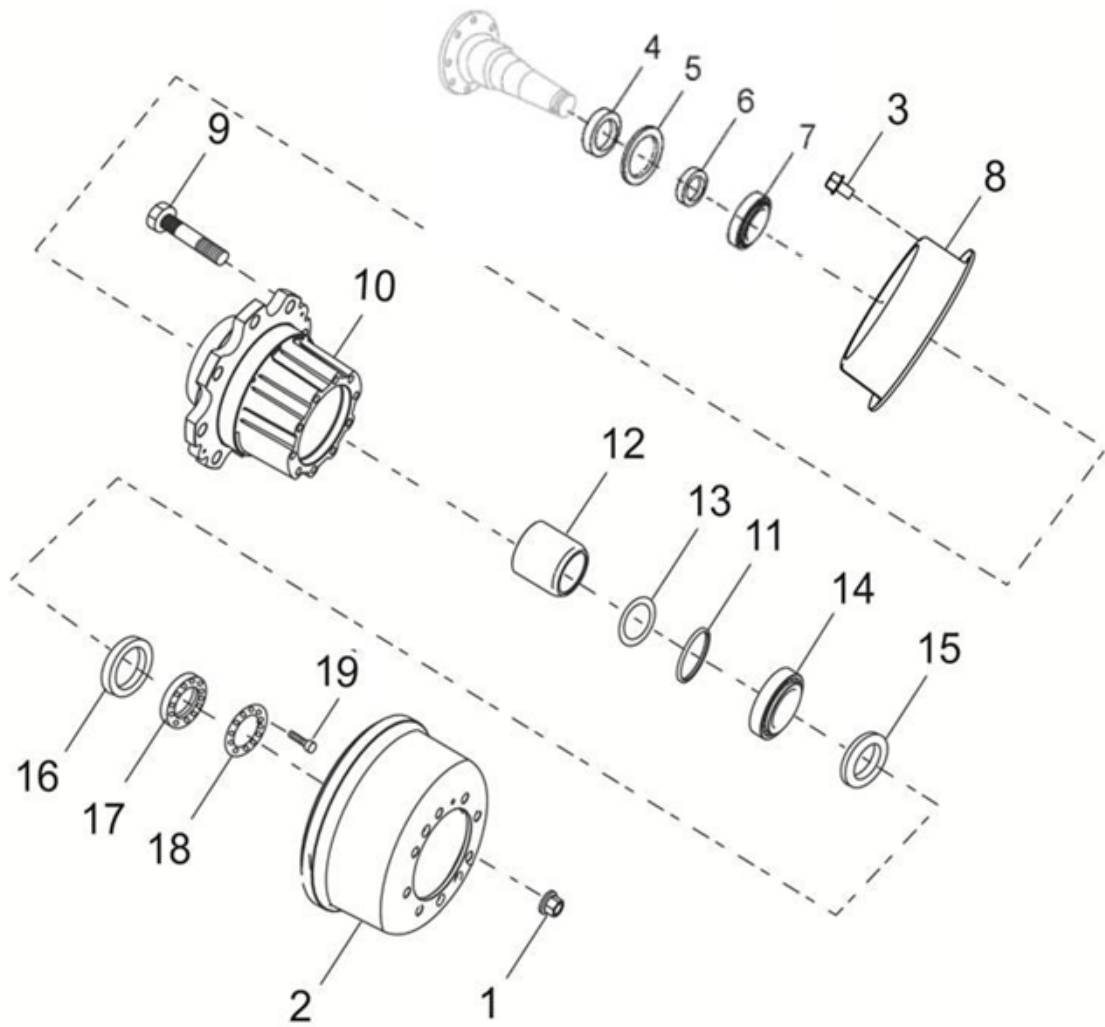
REAR WHEEL END



F-15

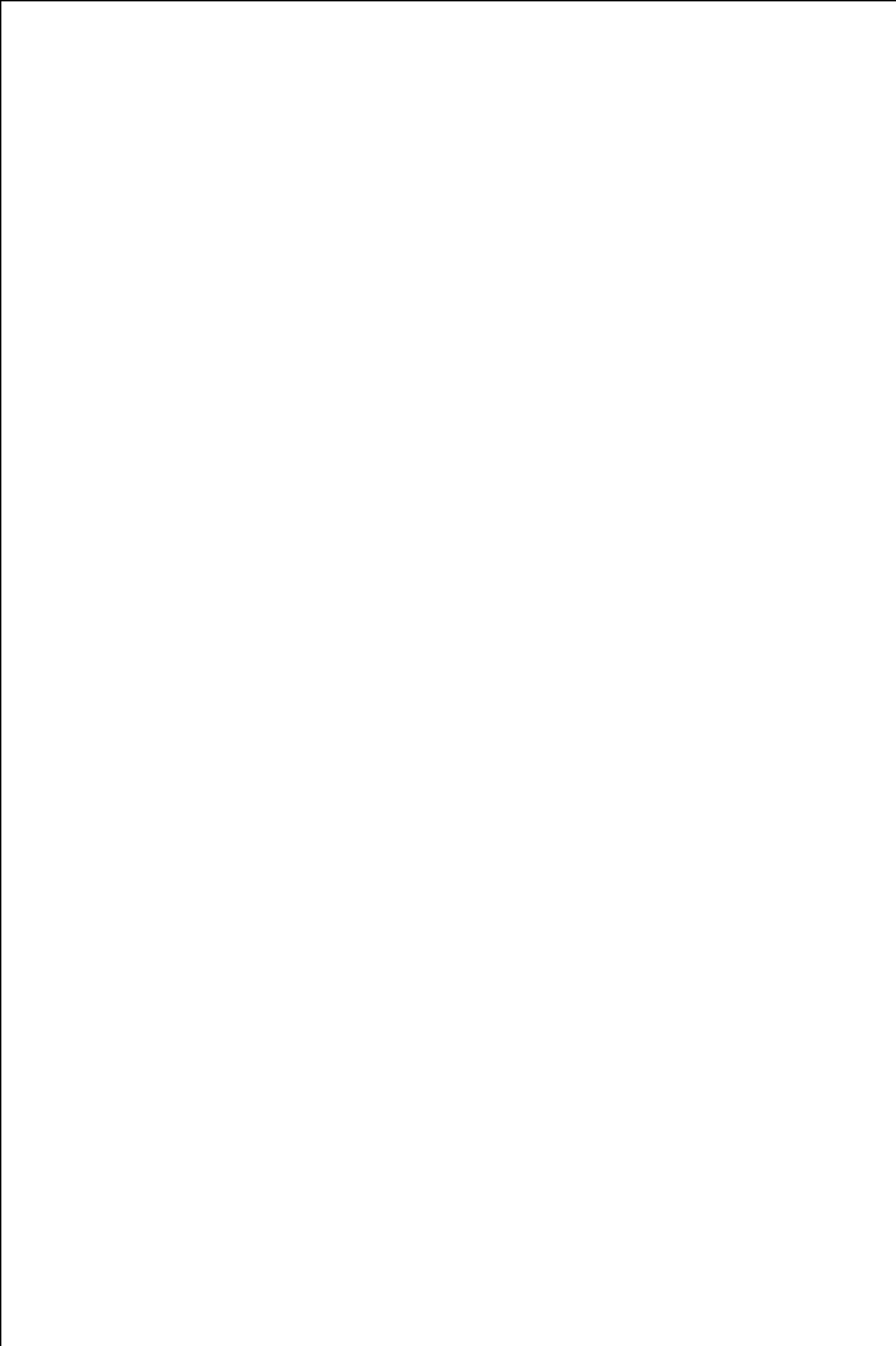
AXLE		REAR WHEEL END		
S No	Part No	Description	Qty	Remarks
1	7303700.08	WHEEL NUT - HCV	10	
2	7306555.031	BRAKE DRUM REAR (30.25)	0	
2	7303700.059	BRAKE DRUM REAR	1	
3	7303819T.131	BOLT M8x1.25x12	4	
4	7306555.032	SPACER	0	
4	7303700.011	SPACER	1	
5	7306555.135	OIL SEAL HUB REAR INNER (30.25)	0	
5	7303700.007	SEAL HUB REAR INNER WHEEL	1	
6	7303700.037	BEARING GREASE RETAINER	1	
7	7306555.067	BEARING, REAR HUB INNER	0	
7	7310019-004	BEARING REAR HUB INNER	1	
8	7306555.033	COVER DUST	0	
8	7303700.04	COVER DUST	1	
9	7306555.045	BOLT,WHEEL HUB,REAR	10	
10	7306555.03	REAR WHEEL HUB NON-ABS MAV	0	
10	7310019-001	HUB REAR (HCV)	1	
11	7306555.047	THICKER SHIM T=5.334, REAR BEARING	1	
12	7306555.056	SPACER,REAR HUB BEARING	1	
13	7306555.046	THICKER SHIM KIT, REAR	1	
	7306555.048	THICKER SHIM T=5.384, REAR BEARING	1	
	7306555.05	THICKER SHIM T=5.484, REAR BEARING	1	
	7306555.052	THICKER SHIM T=5.584, REAR BEARING	1	
	7306555.054	THICKER SHIM T=5.684, REAR BEARING	1	
	7306555.057	THICKER SHIM T=5.784, REAR BEARING	1	
	7306555.059	THICKER SHIM T=5.884, REAR BEARING	1	
	7306555.061	THICKER SHIM T=5.984, REAR BEARING	1	
	7306555.063	THICKER SHIM T=6.084, REAR BEARING	1	
	7306555.064	THICKER SHIM T=6.134, REAR BEARING	1	
	7306555.062	THICKER SHIM T=6.034, REAR BEARING	1	
	7306555.06	THICKER SHIM T=5.934, REAR BEARING	1	
	7306555.058	THICKER SHIM T=5.834, REAR BEARING	1	
	7306555.055	THICKER SHIM T=5.734, REAR BEARING	1	
	7306555.053	THICKER SHIM T=5.634, REAR BEARING	1	
	7306555.051	THICKER SHIM T=5.534, REAR BEARING	1	
	7306555.049	THICKER SHIM T=5.434, REAR BEARING	1	
	7306555.047	THICKER SHIM T=5.334, REAR BEARING	1	
	7306555.073	THICKER SHIM T=5.184, REAR BEARING	1	
	7306555.074	THICKER SHIM T=5.234, REAR BEARING	1	
	7306555.079	THICKER SHIM T=6.434, REAR BEARING	1	
	7306555.075	THICKER SHIM T=5.284, REAR BEARING	1	
	7306555.077	THICKER SHIM T=6.334, REAR BEARING	1	
	7306555.078	THICKER SHIM T=6.384, REAR BEARING	1	
	7306555.076	THICKER SHIM T=6.284, REAR BEARING	1	
	7306555.072	THICKER SHIM T=5.134, REAR BEARING	1	

REAR WHEEL END



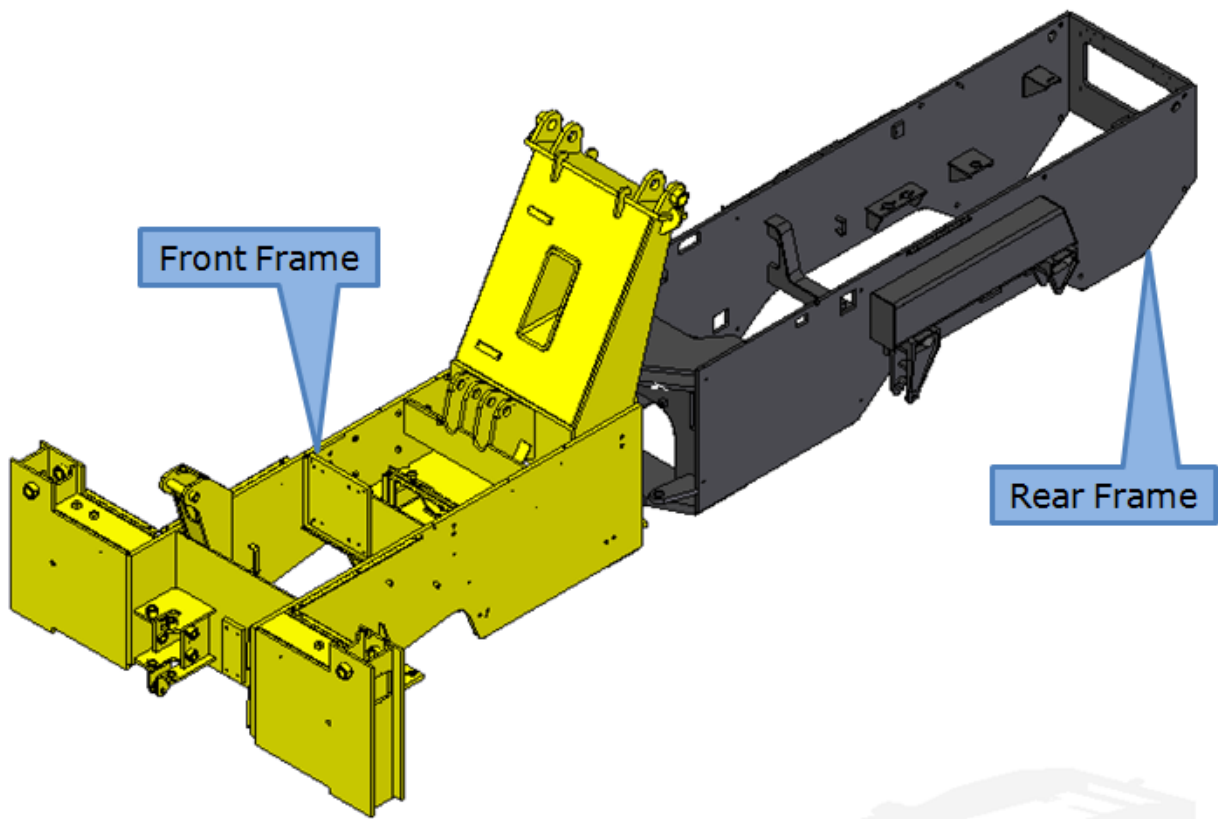
F-15

AXLE		REAR WHEEL END		
S No	Part No	Description	Qty	Remarks
	7306555.069	THICKER SHIM T=4.984, REAR BEARING	1	
	7306555.07	THICKER SHIM T=5.034, REAR BEARING	1	
	7306555.071	THICKER SHIM T=5.084, REAR BEARING	1	
	7306555.066	THICKER SHIM T=6.234, REAR BEARING	1	
	7306555.065	THICKER SHIM T=6.184, REAR BEARING	1	
	7306555.084	THICKER SHIM T=6.684, REAR BEARING	1	
	7306555.085	THICKER SHIM T=6.734, REAR BEARING	1	
	7306555.086	THICKER SHIM T=6.784, REAR BEARING	1	
	7306555.087	THICKER SHIM T=6.834, REAR BEARING	1	
	7306555.088	THICKER SHIM T=6.884, REAR BEARING	1	
	7306555.082	THICKER SHIM T=6.584, REAR BEARING	1	
	7306555.083	THICKER SHIM T=6.634, REAR BEARING	1	
	7306555.081	THICKER SHIM T=6.534, REAR BEARING	1	
	7306555.08	THICKER SHIM T=6.484, REAR BEARING	1	
14	7306555.068	BEARING, REAR HUB OUTER	1	
15	7303700.061	OIL SEAL REAR HUB OUTER (HCV)	1	
16	7303700.009	SPACER SEAL OUTER - HCV	1	
17	7303700.012	LOCK NUT WHEEL BEARING - HCV	1	
18	7303700.013	LOCK WASHER	1	
19	7303700.105	BOLT	2	



STRUCTURE

CHASSIS ASSY

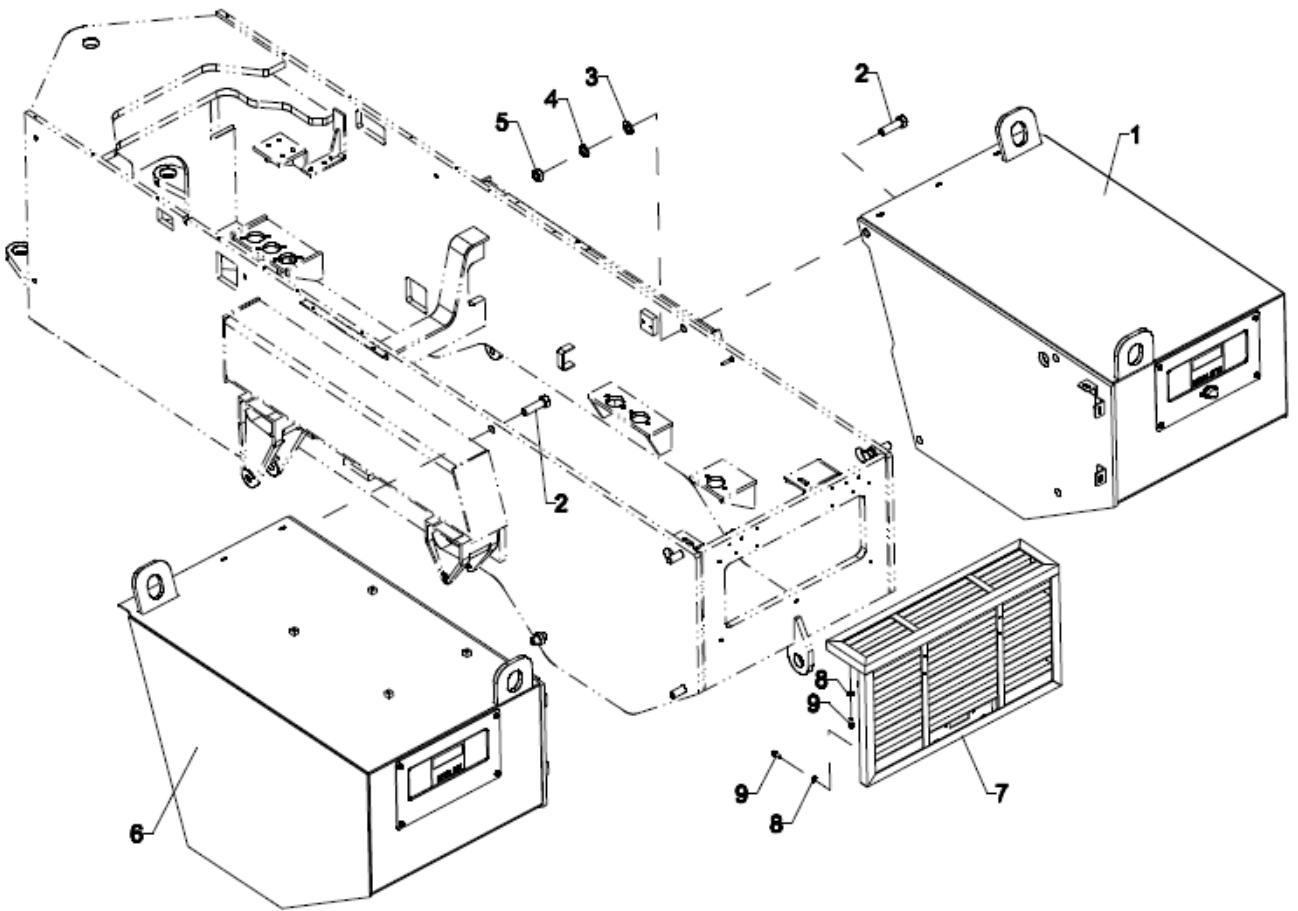


F-15

STRUCTURE	CHASSIS ASSY
------------------	---------------------

SR. NO.	DESCRIPTION	FRONT FRAME	CUT IN DATE	REAR FRAME	CUT IN DATE
1	FRONT FRAME - STD	C7304835	169C197914	C7305852	
2	FRAME OUTRIGGER FRONT – 4WD	C7304836	169C197413	C7305852	169D216320
		C7308025	169E014713		
		C7311515	ECE02169JH0069615		
3	FRAME OUTRIGGER FRONT – 2WD	C7306995	169D242314	C7305852	
		C7312321	ECE02169EH0081417		
4	FRAME OUTRIGGER FRONT –4WD RELIANCE	C7305899	169C213619	C7305852	
		C7312320	ECE02169VH0070315		
		C7311515			

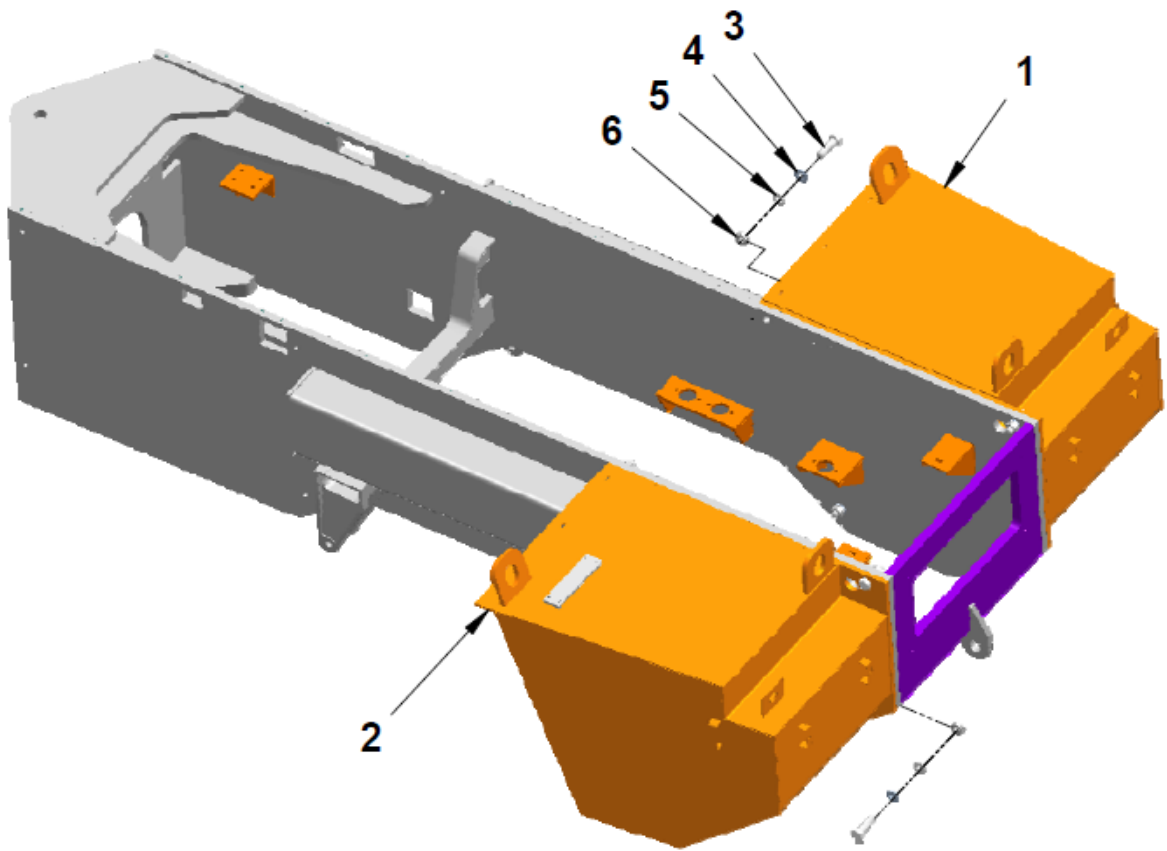
COUNTER WEIGHT ASSY - 2WD



F-15

STRUCTURE		COUNTER WEIGHT ASSY - 2WD		
S No	Part No	Description	Qty	Remarks
1	C7306999	COUNTER WEIGHT FAB (DRIVER SIDE)	1	
2	C9100260	HEXAGON HEAD BOLT	8	
3	C9100175	PUNCHED WASHER	8	
4	C9100168	SPRING LOCK WASHER	8	
5	C9100189	HEXAGON NUT	6	
6	C7306997	COUNTER WEIGHT FAB	1	
7	C7307023	REAR GRILL FAB	1	
8	C9100040	PUNCHED WASHER	6	
9	C9100267	HEXAGON HEAD SCREW	6	

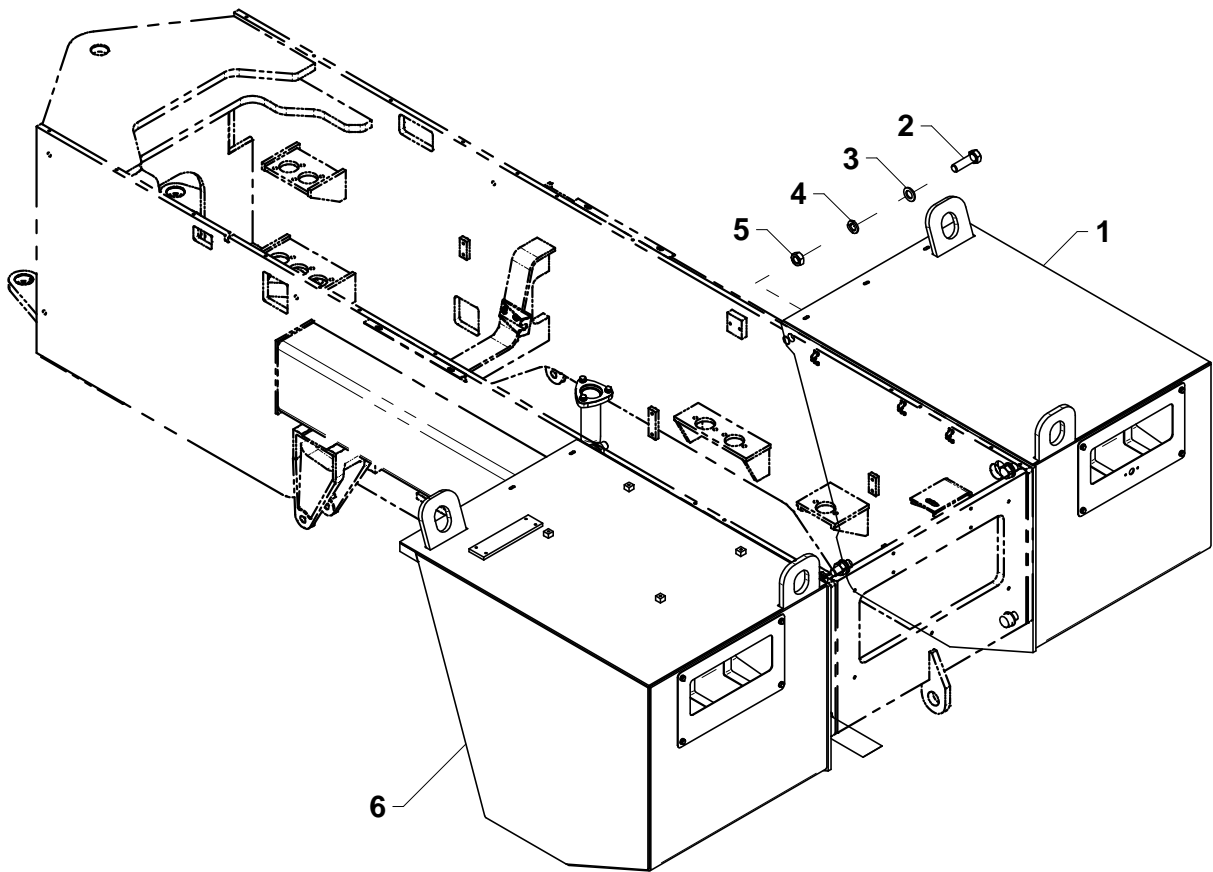
COUNTER WEIGHT ASSY - 4WD



F-15

STRUCTURE		COUNTER WEIGHT ASSY- 4WD		
S No	Part No	Description	Qty	Remarks
1	C7304171	COUNTER WEIGHT FAB (DRIVER SIDE)	1	
2	C7304172	COUNTER WEIGHT FAB (PASSENGER SIDE)	1	
3	C9100260	HEXAGON HEAD BOLT	8	
4	C9100175	PUNCHED WASHER	8	
5	C9100168	SPRING LOCK WASHER	8	
6	C9100189	HEXAGON NUT	8	

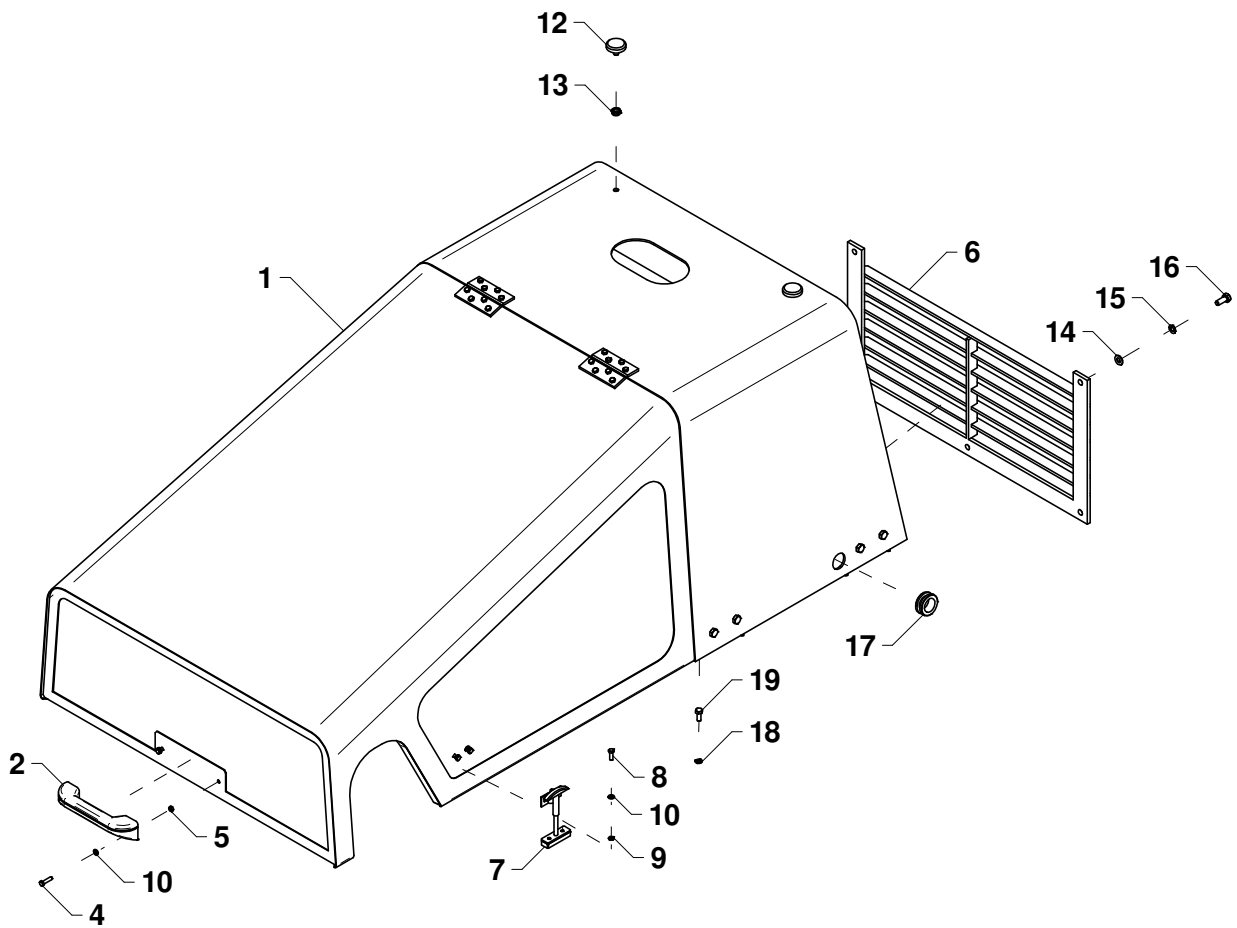
COUNTER WEIGHT ASSY.-7311596



F-15

STRUCTURE		COUNTER WEIGHT ASSY.		
S No	Part No	Description	Qty	Remarks
1	7311597	COUNTER WEIGHT FABRICATION	1	
2	9100260	HEXAGON HEAD BOLT -M24X80-8.8	8	
3	9100175	PUNCHED WASHER 26 A-STEEL	8	
4	9100168	SPRING LOCK WASHER A24	7	
5	9100189	HEXAGON NUT- M24-8	4	
6	7311598	COUNTER WEIGHT FABRICATION	1	

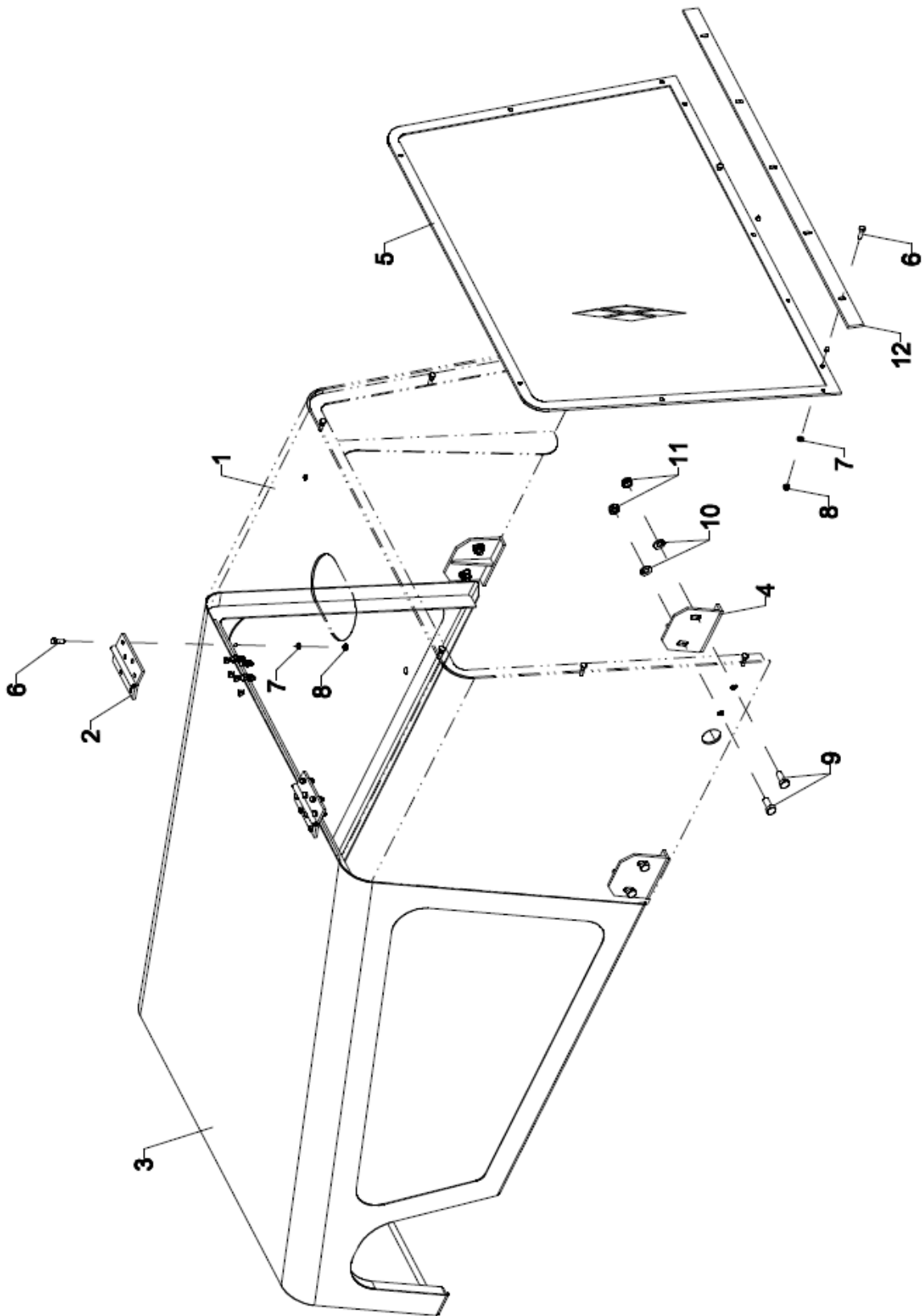
BONNET INSTALATION-7308012



F-15

STRUCTURE		BONNET INST. – 7308012		
S No	Part No	Description	Qty	Remarks
1	7308011	R/F & BONNET ASSY	1	
2	8PP10356000	HANDLE	1	
4	9100447	HEXAGON HEAD SCREW - M6X25-8.8	2	
5	9100342	HEXAGON NUT-IS 1364(PART 3)/ISO 4032- M6-8	6	
6	22-F-2-014	REAR GRILL ASSY.	1	
7	8PP10562000	METAL FASTNER WITH GRIP (MAHINDRA & MAHINDRA)	2	
8	9100486	HEXAGON HEAD SCREW- M6X20-8.8	9	
9	9100150	SPRING LOCK WASHER A6	8	
10	9100073	PLAIN WASHER A6 IS: 2016 STEEL	10	
12	8.42E+11	RUBBER BUFFER	2	
13	9100041	NYLOCK NUT (PREVAILING TORQUE TYPE NUT M10)	2	
14	9100040	PUNCHED WASHER A11 IS: 2016-STEEL	4	
15	9100044	SPRING LOCK WASHER A10	4	
16	9100267	HEXAGON HEAD SCREW- M10X25-8.8	4	
17	7601684	GROMMET	1	
18	9100046	SPRING LOCK WASHER A8	8	
19	9100052	HEXAGON HEAD SCREW -M8X20-8.8	8	

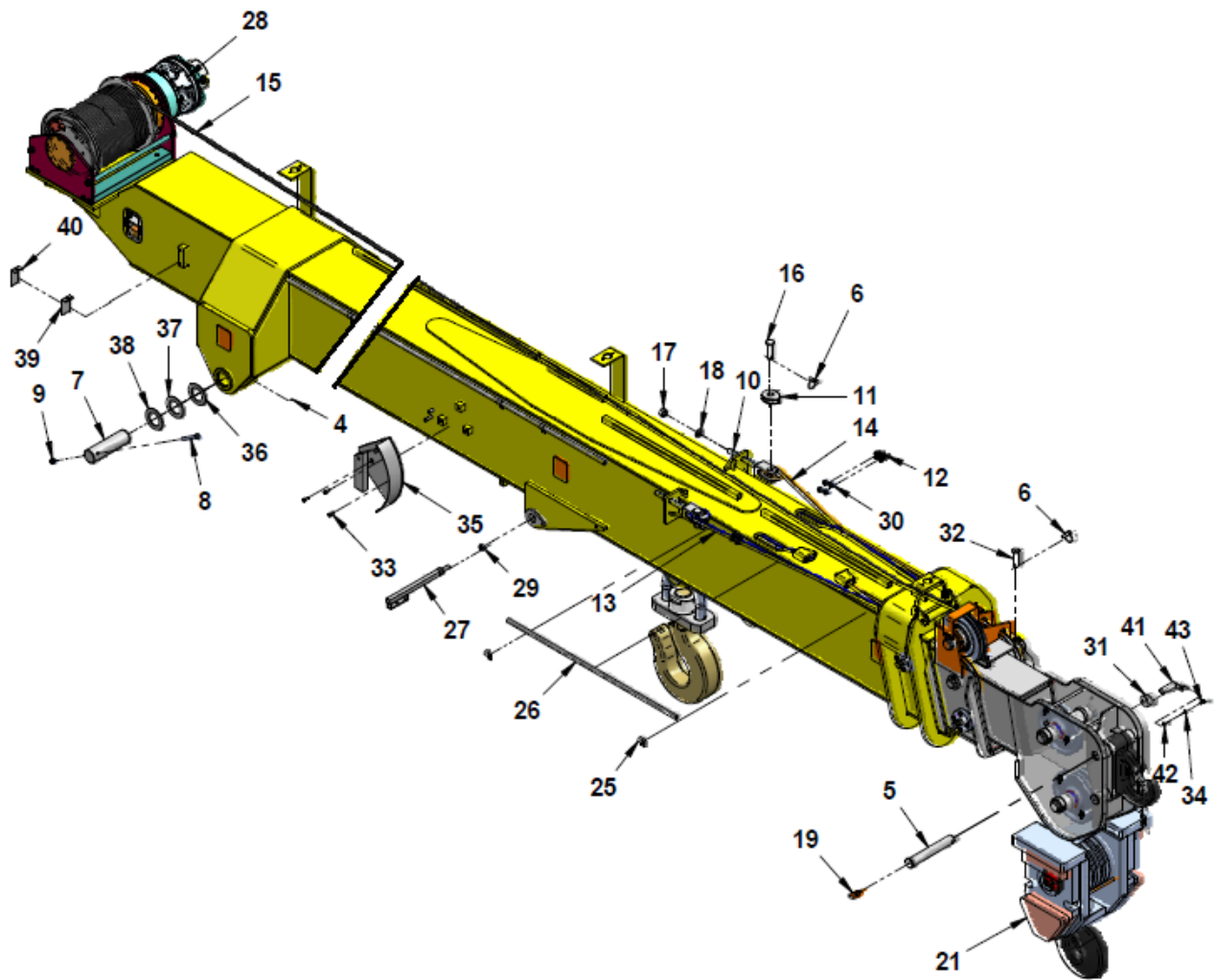
R.F & BONNET ASSY



F-15

STRUCTURE		R.F & BONNET ASSY		
S No	Part No	Description	Qty	Remarks
1	C7306962	RADIATOR FRAME FAB.	1	
2	C8PP10254000	HINGE	2	
3	C7308005	BONNET FAB.ASSY	1	
4	22-F-2-063	BONNET MTG-BKT	4	
5	C7308013	GRILL RADIATOR FRAME	1	
6	C9100486	HEXAGON HEAD SCREW	27	
7	C9100150	SPRING LOCK WASHER	21	
8	C9100342	HEXAGON NUT	21	
9	C9100267	HEXAGON HEAD SCREW	8	
10	C9100040	PUNCHED WASHER	8	
11	C9100041	NYLOCK NUT	8	
12	C7308010	REAR FLAT	1	

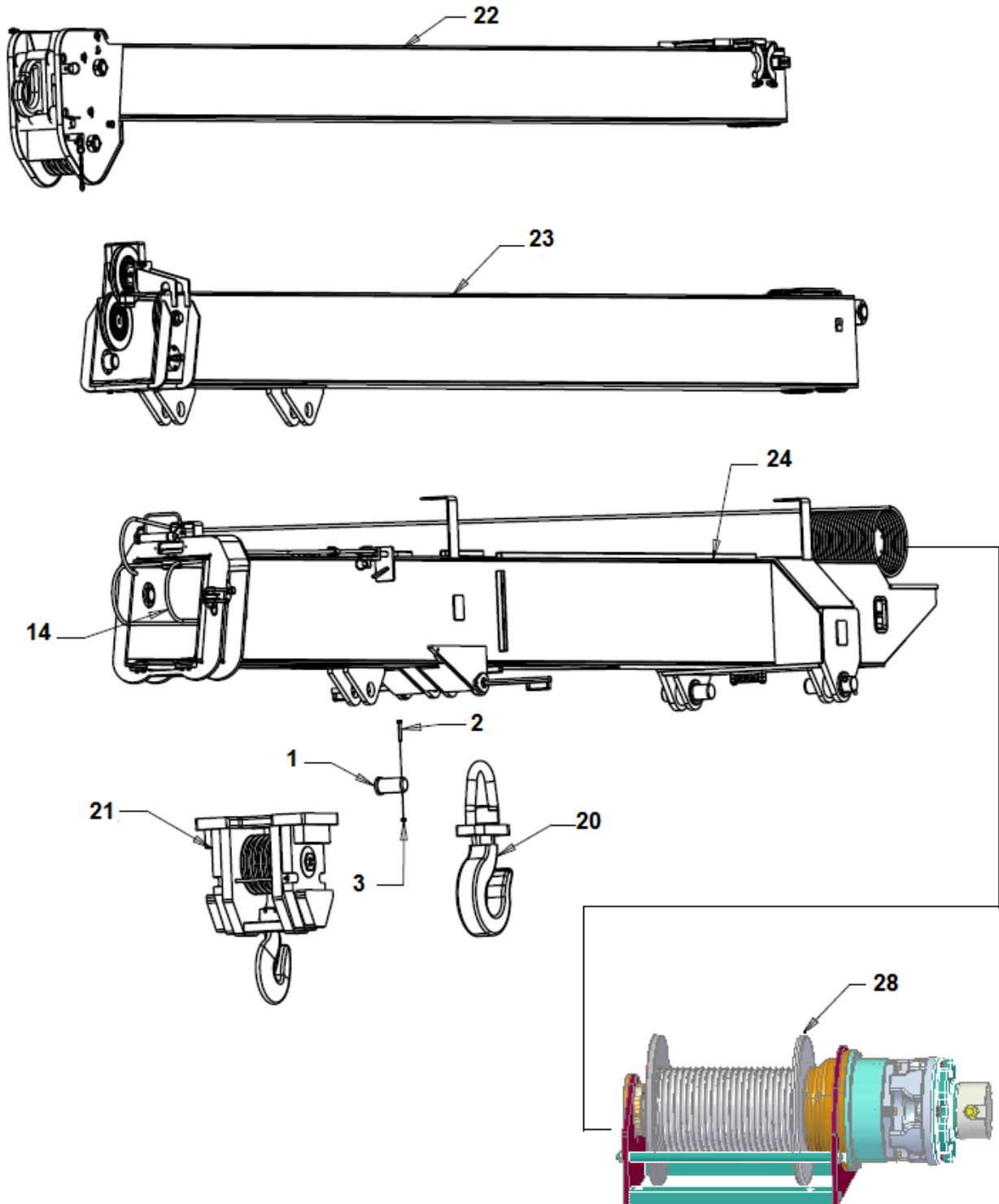
BOOM ASSY COMPLETE (3 PART)



F-15

STRUCTURE		BOOM ASSY COMPLETE (3 PART)		
S NO	PART NO	DESCRIPTION	QTY	REMARKS
4	8PP10327000	GREASE OKS 410 GRADE	1	
5*	7301360	RHINO HOOK PIN	2	
6	8T011004850	LINCH PIN	5	
7	V23.27.259.0A	BOOM PIVOT PIN, HY-12	2	
8	9100065	HEXAGON HEAD BOLT-IS:1364:2002(PART I)/M12X100-8.8	2	
9	9100060	PREVAILING TORQUE TYPE NUT-M12-IS 7002-8-P	2	
10	26-C-3-091	TIE ROD	2	
11	26-C-3-088	SOLID THIMBLE	3	
12	8M105526000	WIRE ROPE CLAMP	4	
13	8M105528000	ROPE EXTENSION (18.5M)	1	
14	8M105528000	ROPE RETRACTION (18.5M)	1	
15	7208127	STEEL WIRE ROPE, 13 DIA,(L- 115 Mtr) 18x7, FIBRE MAIN CORE, IS:2266	1	
16	26-M-3-057	PIN	2	
17	9100409	HEXAGON NUT-IS 1364(PART 3)/ISO 4032- M20 X 1.5-8	2	
18	9100312	PUNCHED WASHER 22 A IS:2016-1967-STEEL	2	
19	42-C-1-016	EYE BOLT	1	
21*	7300219	SNATCH BLOCK(6F)	1	
25	V19-26-190-1	CLAMP	6	
26	8Q020172280	CONDUIT PIPE (4.2 MTS)	1	
27	V-22-56-70-700	WORKLIGHT BRACKET	2	
28	7300837	WINCH ASSLY	1	
29	9100344	HEXAGON NUT-IS 1364(PART 3)/ISO 4032-M14-8	2	
30	9100081	HEXAGONAL NUT-IS1364(PART-4)/ISO4032-M12-05	8	
31	26-C-3-068	SPACER	1	
32	22-M-3-007A	LOCKING PIN	1	
33*	9100317	HEXAGON SOCKET HEAD CAP SCREW ISO 4762 - M8X20-8.8	3	
34*	9100046	SPRING LOCK WASHER A8-IS:3063 (PHOSPHATE COATING)	1	
35	22-A-3-015	ANGLE INDICATOR ASSY	1	
36*	7303604	SHIM 1	1	
37*	7303605	SHIM 2	1	
38	7303606	SHIM 3	1	
39	7305075	SHIM	2	
40	7305076	SHIM	2	
41	26-M-3-022	PIN WINCH ROPE	1	
42	9100062	PUNCHED WASHER A9 IS: 2016-STEEL	1	
43	9100167	HEXAGON HEAD SCREW-IS 1364 (PART 2)/ISO 4017 - M8X16-8.8	1	

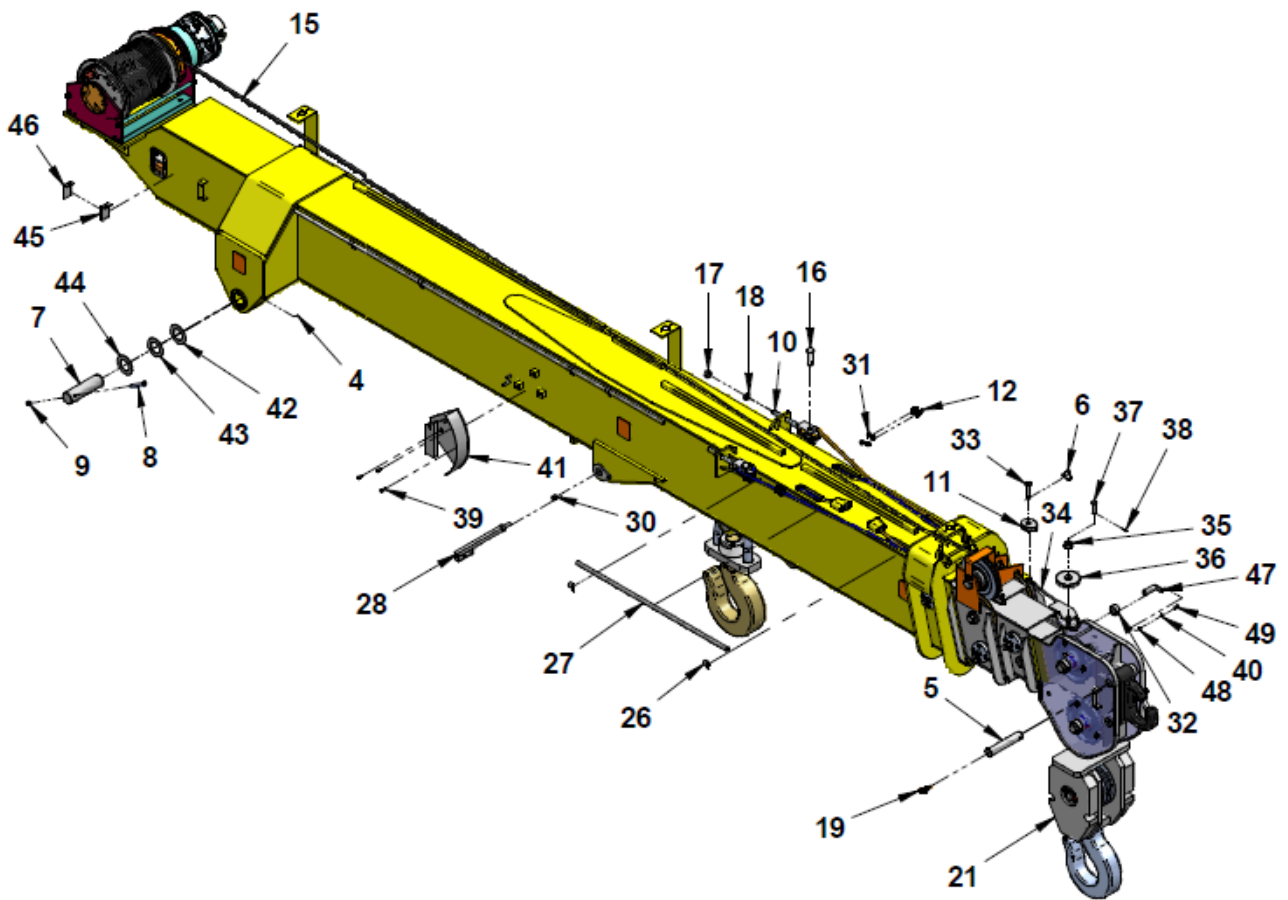
BOOM ASSY COMPLETE (3 PART)



F-15

STRUCTURE		BOOM ASSY COMPLETE (3 PART)		
S NO	PART NO	DESCRIPTION	QTY	REMARKS
1	26-M-3-045	PIN HOOK	1	
2	9100066	HEXAGON HEAD BOLT-IS:1364:2002(PART I)/M10X75-8.8	1	
3	C9100076	HEXAGON NUT-IS 1364(PART 3)/ISO 4032-M10-8	1	
14	8M105528000	ROPE RETRACTION (18.5M)	1	
20	V22.22.039	HOOK ASSY(16T)	1	
21*	7300219	SNATCH BLOCK(6F)	1	
22	7308125	SECOND EXT ASSM (6 FALLS)	1	
23	7300225	FIRST EXT ASSY	1	
24	7301254	MAIN BOOM ASSY	1	
28	7300837	WINCH ASSLY	1	

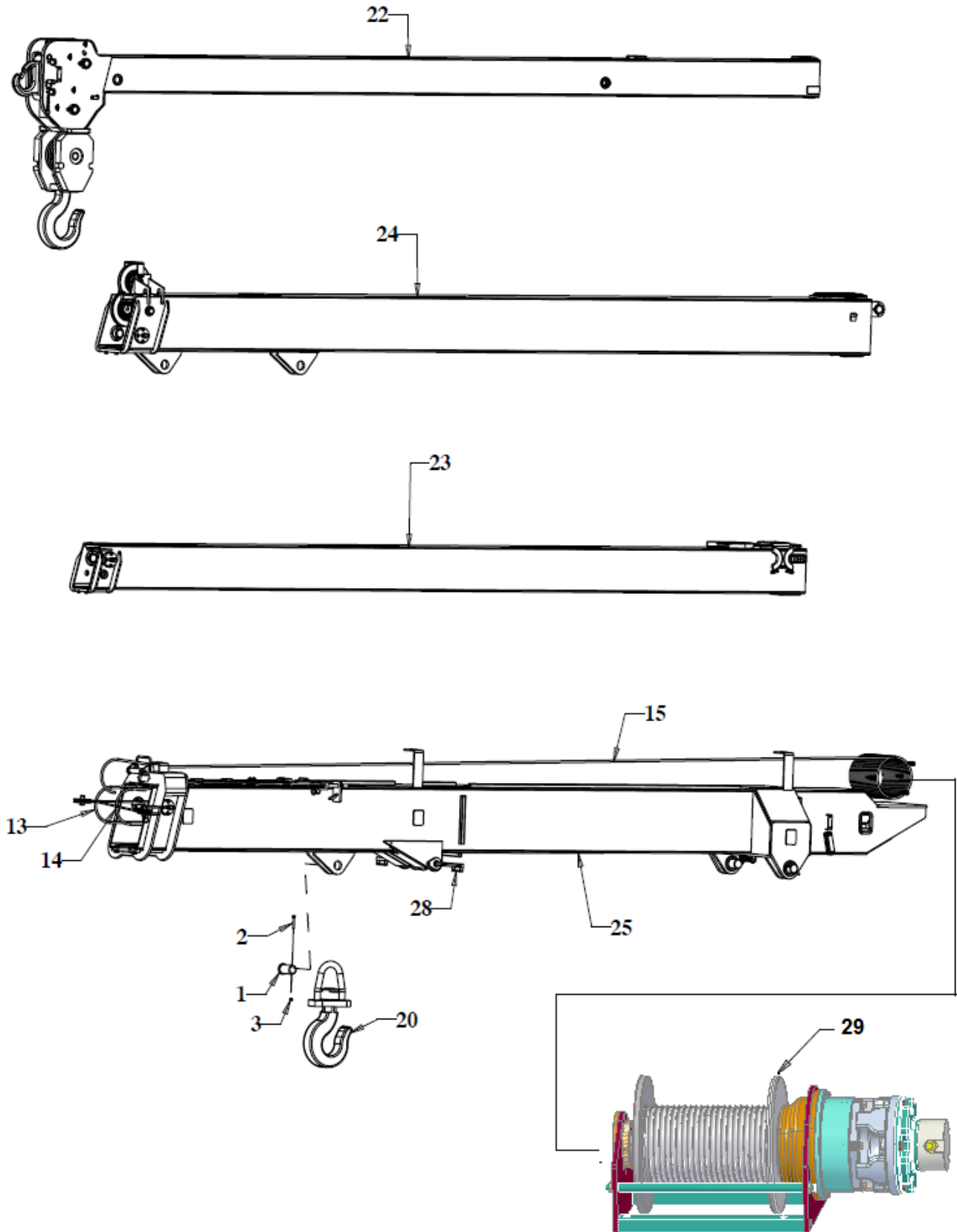
BOOM ASSY COMPLETE (4 PART)



F-15

STRUCTURE		BOOM ASSY COMPLETE (4 PART)		
S NO	PART NO	DESCRIPTION	QTY	REMARKS
4	8PP10327000	GREASE OKS 410 GRADE	1	
5	22-M-3-012A	RHINA HOOK PIN	2	
6	8T011004850	LINCH PIN	5	
7	V23.27.259.0A	BOOM PIVOT PIN, HY-12	2	
8	9100065	HEXAGON HEAD BOLT-IS:1364:2002(PART I)/M12X100-8.8	2	
9	9100060	PREVAILING TORQUE TYPE NUT-M12-IS 7002-8-P	2	
10	26-C-3-091	TIE ROD	2	
11	26-C-3-088	SOLID THIMBLE	3	
12	8M105526000	WIRE ROPE CLAMP	4	
15	7200415	WINCH ROPE (DIA 13, 85 Mtrs LG, NON-ROTATING STEEL CORE (18x7) MIN. BRAKING FORCE= 1770 N/Sq.mm)	1	
16	26-M-3-057	PIN	2	
17	9100409	HEXAGON NUT-IS 1364(PART 3)/ISO 4032- M20 X 1.5-8	2	
18	9100312	PUNCHED WASHER 22 A IS:2016-1967-STEEL	2	
19	42-C-1-016	EYE BOLT	1	
21	22-A-3-006	SNATCH BLOCK ASSY	1	
26	V19-26-190-1	CLAMP	6	
27	8Q020172280	CONDUIT PIPE (4.2 MTS)	1	
28	V-22-56-70-700	WORKLIGHT BRACKET	2	
30	9100344	HEXAGON NUT-IS 1364(PART 3)/ISO 4032-M14-8	2	
31	9100081	HEXAGONAL NUT-IS1364(PART-4)/ISO4032-M12-05	8	
32	26-C-3-068	SPACER	1	
33	22-M-3-007A	LOCKING PIN	1	
34	22-C-3-067	MANUAL ROPE	1	
35	40-C-3-015 A	GM BUSH	1	
36	22-C-3-092	PULLEY	1	
37	40-M-3-021	PULLEY PIN	1	
38	9100462	SPLIT PIN 3x30	1	
39	9100317	HEXAGON SOCKET HEAD CAP SCREW ISO 4762 - M8X20-8.8	6	
40	9100046	SPRING LOCK WASHER A8-IS:3063 (PHOSPHATE COATING)	7	
41	22-A-3-015	ANGLE INDICATOR ASSY	1	
42*	7303604	SHIM 1	1	
43*	7303605	SHIM 2	1	
44	7303606	SHIM 3	1	
45	7305075	SHIM	2	
46	7305076	SHIM	2	
47	26-M-3-022	PIN WINCH ROPE	1	
48	9100062	PUNCHED WASHER A9 IS: 2016-STEEL	1	
49	9100167	HEXAGON HEAD SCREW-IS 1364 (PART 2)/ISO 4017 - M8X16-8.8	1	

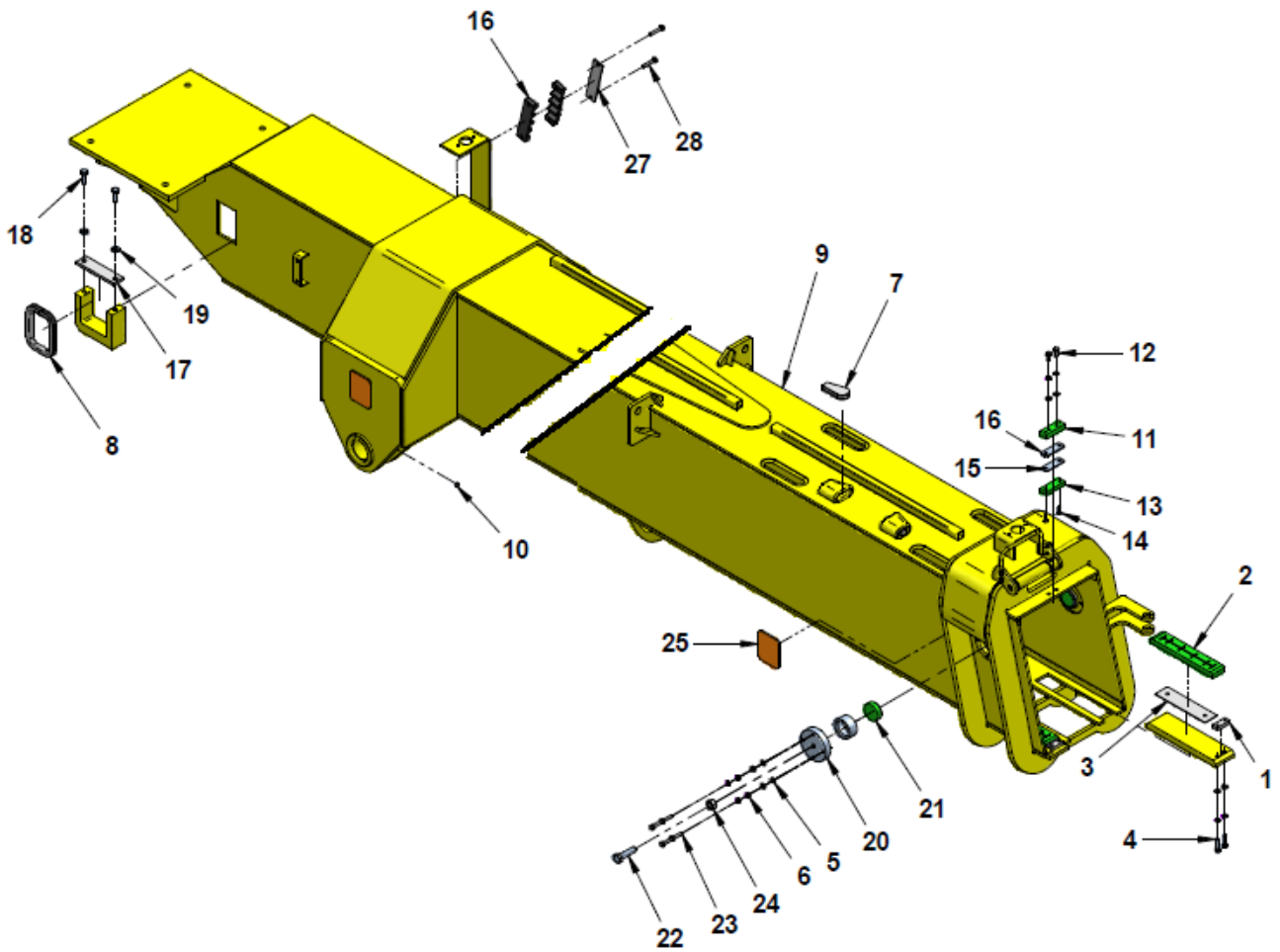
BOOM ASSY COMPLETE (4 PART)



F-15

STRUCTURE		BOOM ASSY COMPLETE (4 PART)		
S NO	PART NO	DESCRIPTION	QTY	REMARKS
1	26-M-3-045	PIN HOOK	1	
2	9100066	HEXAGON HEAD BOLT-IS:1364:2002(PART I)/M10X75-8.8	1	
3	C9100076	HEXAGON NUT-IS 1364(PART 3)/ISO 4032-M10-8	1	
13	8M105528000	ROPE EXTENSION (18.5M)	1	
14	8M105528000	ROPE RETRACTION (18.5M)	1	
15	7200415	WINCH ROPE (DIA 13, 85 Mtrs LG, NON-ROTATING STEEL CORE (18x7) MIN. BRAKING FORCE= 1770 N/Sq.mm)	1	
20	V22.22.039	HOOK ASSY(16T)	1	
22	7302147	MANNUAL BOOM ASSY	1	
23	7302146	SECOND EXT ASSM	1	
24	7300225	FIRST EXT ASSY	1	
25	7301254	MAIN BOOM ASSY	1	
28	V-22-56-70-700	WORKLIGHT BRACKET	2	
29	7300837	WINCH ASSLY	1	

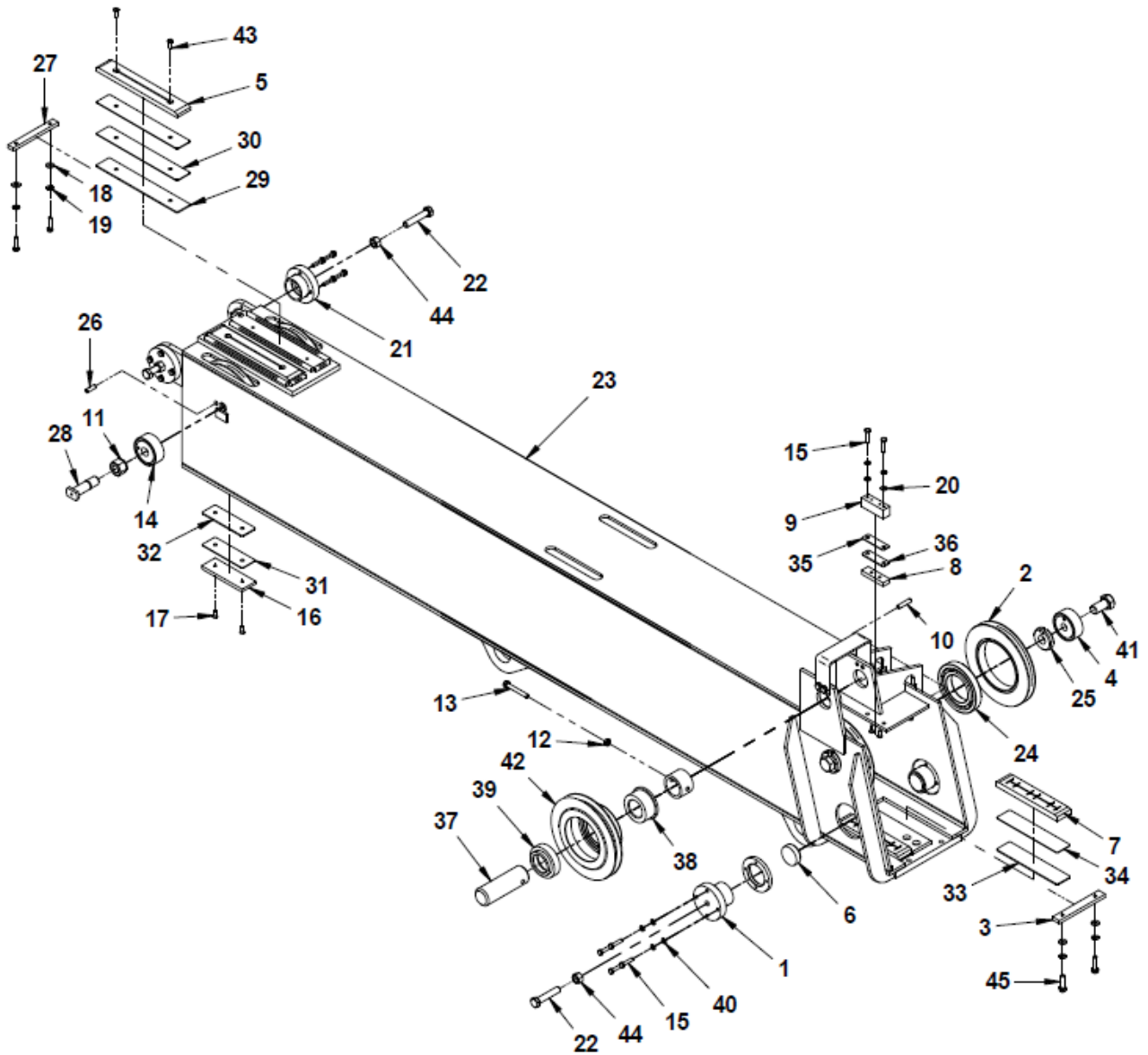
MAIN BOOM ASSY



F-15

STRUCTURE		MAIN BOOM ASSY		
S No	Part No	Description	Qty	Remarks
1	26-C-3-010	RETAINER WEARPAD MAIN BOOM	2	
2	26-C-3-012	WEAR PAD 250X50 X17	2	
3	26-C-3-057	SHIM	2	
4	9100171	HEXAGON HEAD SCREW-IS 1364 (PART 2)/ISO 4017 - M8X35-8.8	4	
5	9100062	PUNCHED WASHER A9 IS: 2016-STEEL	18	
6	9100046	SPRING LOCK WASHER A8-IS:3063 (PHOSPHATE COATING)	14	
7	8X224001700	SOLID THIMBLE	2	
8	8X221401600	RUBBER EDGING	2	
9	7301253	MAIN BOOM FAB	1	
10	9100043	CONICAL HEAD GREASE NIPPLE A, M10X1, IS:4009 (PART II)	2	
11	26-C-3-020	SPACER	1	
12	9100052	HEXAGON HEAD SCREW IS 1364 (PART2) - ISO 4017-M8X20-8.8	2	
13	26-C-3-018	WEARPAD	1	
14	9100496	COUNTERSUNK SCREW M6X20 IS1365-8.8	2	
15	826C3063000	SHIM (75X25X1)	1	
16	826C3064000	SHIM	1	
17	7301793	PLATE	2	
18	9100185	HEXAGON HEAD SCREW-IS 1364 (PART 2)/ISO 4017 - M12X35-8.8	4	
19	9100059	PUNCHED WASHER A14 IS: 2016-STEEL	4	
20	22-M-3-025	WEAR PAD CARRIER (EXISTING PART)	2	
21	44-M-3-012	PAD NYLON (EXISTING PART)	2	
22	9100284	HEXAGON HEAD SCREW-IS 1364 (PART 2)/ISO 4017 - M16X60-8.8	2	
23	C9100094	HEXAGON NUT-IS1364(PART-4)/ISO4032-M16-05	2	
24	9100126	HEXAGONAL HEAD BOLT-IS:1364:2002(PART I)/M8X35-8.8	8	
25	19-B-5-007	REFLECTOR (AMBER) ORANGE	6	
26	22-C-1-163	HALF CLAMP	4	
27	22-C-1-166	CLAMP PLATE	2	
28	9100264	HEXAGON HEAD SCREW-IS:1364:2002(PART I)/M8X45-8.8	4	

FIRST BOOM ASSY



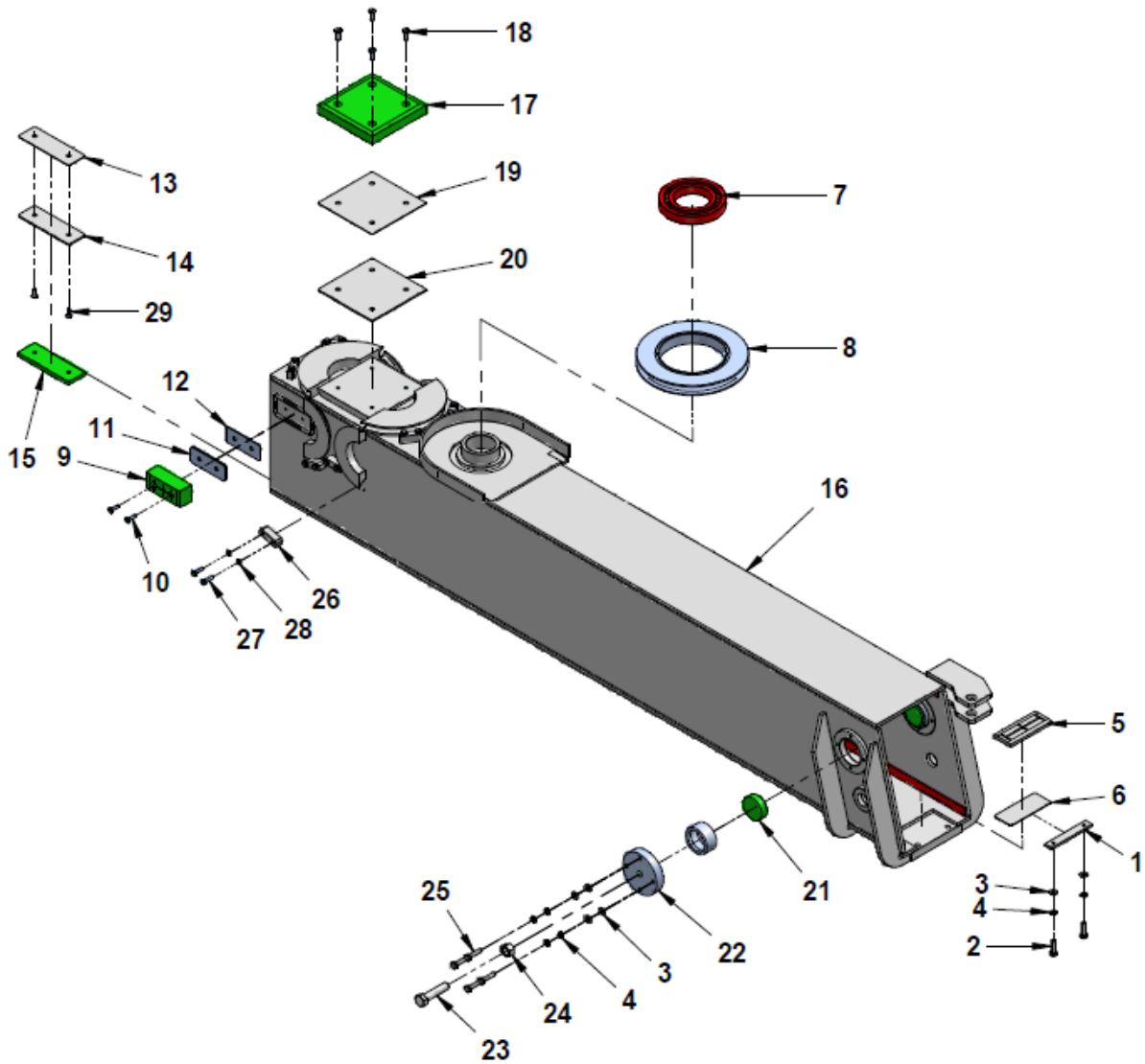
F-15

STRUCTURE		FIRST BOOM ASSY		
S No	Part No	Description	Qty	Remarks
1	22-M-3-026	WEAR PAD CARRIER	2	
2	26-M-3-053	PULLEY	4	
3	26-C-3-007	RETAINER WEAR PAD	1	
4	26-M-3-055	TAPPED BOSS	2	
5	26-C-3-082	WEARPAD REAR TOP (EXISTING PART,K-10)	2	
6	44-M-3-012	PAD NYLON (EXISTING PART)	4	
7	22-C-3-011	WEAR PAD	2	
8	22-C-3-013	WEARPAD (80X25X12)	1	
9	22-C-3-014	SPACER WEARPAD	1	
10	9100601	HEXAGON SOCKET SET SCREW M10X45 - IS :	2	
11	9100526	PREVAILING TORQUE TYPE NUT-M24-IS 7002-	2	
12	9100041	NYLOCK NUT (PREVAILING TORQUE TYPE NUT	1	
13	9100066	HEXAGON HEAD BOLT-IS:1364:2002(PART	1	
14	26-M-3-056	TAPPED BOSS (RETRACTION)	2	
15	9100171	HEXAGON HEAD SCREW-IS 1364 (PART 2)/ISO	20	
16	22-C-3-012	WEARPAD [150X50X10(Rr BOTTOM)]	2	
17	9100508	COUNTERSUNK SCREW M6X15 IS1365-8.8	6	
18	9100040	PUNCHED WASHER A11 IS: 2016-STEEL	4	
19	9100044	SPRING LOCK WASHER A10-IS:3063	4	
20	9100062	PUNCHED WASHER A9 IS: 2016-STEEL	2	
21	22-M-3-028	WEAR PAD CARRIER (EXISTING PART)	2	
22	9100287	HEXAGON HEAD SCREW-IS 1364 (PART 2)/ISO 4017 -	4	
23	7303289	FIRST BOOM FAB	1	
24	8X2240006000	ROLLER BEARING (6216 W00U/ZZ) (EXISTING	5	
25	22-C-3-049	SPACER	2	
26	9100560	HEXAGON SOCKET SET SCREW M10X30-	2	
27	22-C-3-038	RETAINER	1	
28	22-M-3-014	LOCKING PIN	2	
29	26-C-3-086	SHIM (300X50X3 THK)	2	
30	26-C-3-087	SHIM (300X50X1 THK)	4	
31	22-C-3-021	SHIM (150X50X1 THK)	2	
32	22-C-3-035	SHIM (150X50X3 THK)	2	
33	22-C-3-036	SHIM (255X50X3)	2	
34	22-C-3-037	SHIM (225X50X1 THK)	2	
35	22-C-3-022	SHIM	1	
36	22-C-3-023	SHIM	1	
37	26-M-3-054	PIN	1	
38	22-M-3-016	BEARING SLEEVE	1	
39	22-M-3-017	BEARING SLEEVE	1	
40	9100046	SPRING LOCK WASHER A8-IS:3063	18	
41	9100559	HEXAGON HEAD SCREW-IS 1364 (PART 2)/ISO	2	
42	7200363	PULLEY	1	
43	9100348	COUNTERSUNK SCREW M8X20 IS1365-8.8	4	
44	C9100094	HEXAGON NUT-IS1364(PART-4)/ISO4032-M16-	4	
45	9100107	HEXAGON HEAD BOLT -IS:1364:20 I)/M10X40 -8.8	2	

F-15

STRUCTURE		SECOND BOOM ASSY (3 PART)		
S No	Part No	Description	Qty	Remarks
1	C7305525	SECOND BOOM FAB	1	
2	22-C-3-026	SHIM	2	
3	22-C-3-016	WEAR PAD	2	
4	26-C-3-059	SHIM	4	
5	22-C-3-103	WEAR PAD	2	
6	22-C-3-104	WEAR PAD	1	
7	7301347	PIN JIB HEAD	2	
8	22-M-3-035	SPACER	2	
9	22-C-3-108	PULLY	3	
10	22-M-3-030	SPACER	2	
11	C8PP11901000	BEARING-SKF	6	
12	C8PP11902000	CIRCLIP INTERNAL	6	
13	22-C-3-109	SPACER	3	
14	22-M-3-031	SPACER	1	
15	22-C-3-107	ROPE RETAINER	10	
16	C8X2240006000	ROLLER BEARING	1	
17	26-M-3-053	PULLEY	1	
18	26-M-3-021	PIN ROPE	4	
19	C8MWP1200000	WASHER PLAIN	8	
20	19-B-2-011	PIN SPLIT	8	
21	C9100508	COUNTERSUNK SCREW	4	
22	C9100496	COUNTERSUNK SCREW	4	
23	C9100150	SPRING LOCK WASHER	20	
24	C9100447	HEXAGON HEAD SCREW	20	
25	C9100348	COUNTERSUNK SCREW	4	
26	C9100230	HEXAGON HEAD BOLT	2	
27	C9100060	PREVAILING TORQUE TYPE NUT	2	

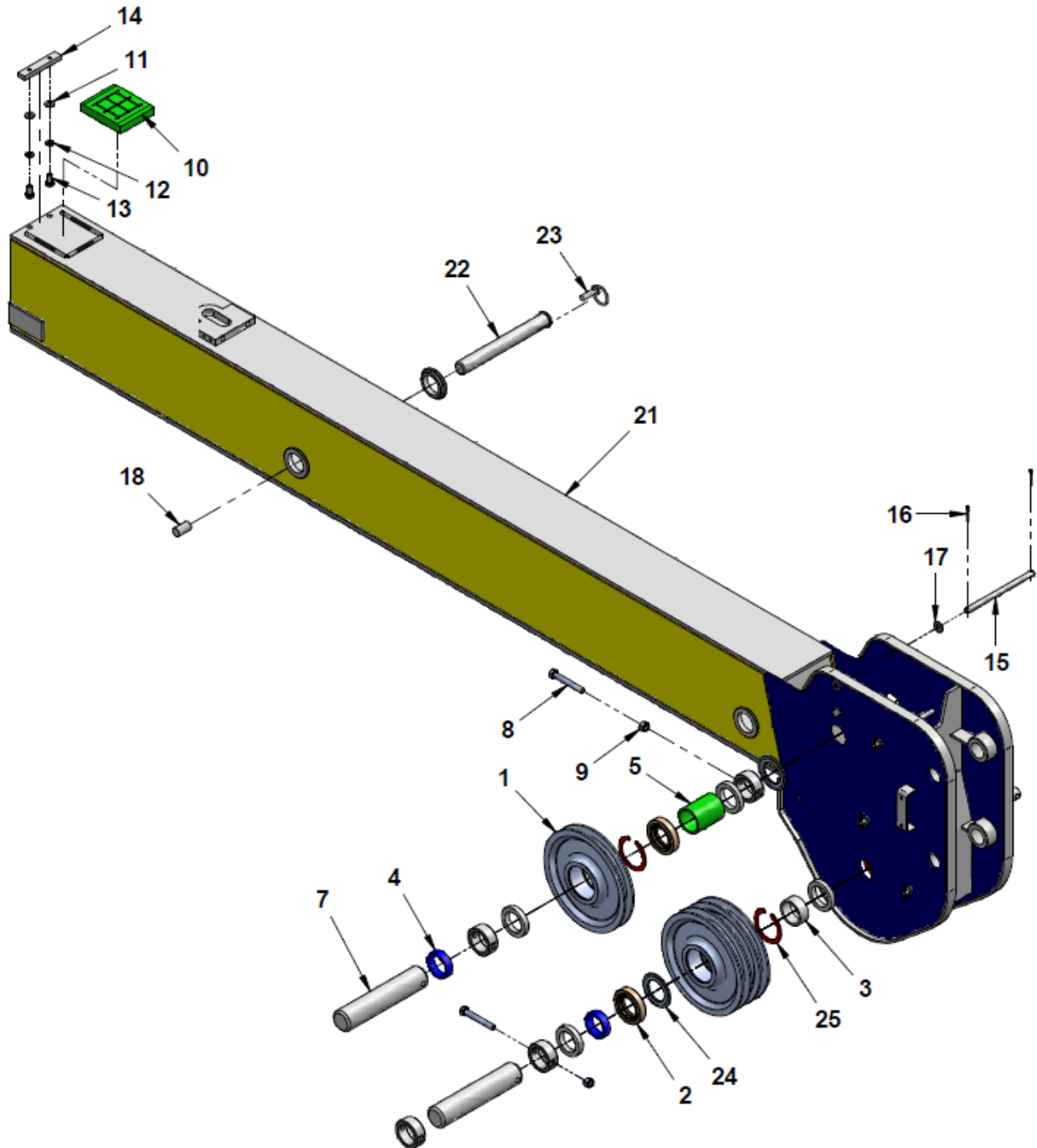
SECOND BOOM ASSY (4 PART)



F-15

STRUCTURE		SECOND BOOM ASSY (4 PART)		
S No	Part No	Description	Qty	Remarks
1*	22-C-3-020	RETAINER WEAR PAD	1	
2	9100061	HEXAGON HEAD SCREW-IS 1364 (PART 2)/ISO 4017 - M8X30-8.8	2	
3	9100062	PUNCHED WASHER A9 IS: 2016-STEEL	10	
4	9100046	SPRING LOCK WASHER A8-IS:3063 (PHOSPHATE COATING)	10	
5	22-C-3-019	WEARPAD	1	
6*	22-C-3-028	SHIM	1	
7	8X2240006000	ROLLER BEARING (6216 W00U/ZZ) (EXISTING PART)	1	
8	26-M-3-053	PULLEY	1	
9	22-C-3-103	WEARPAD	2	
10	9100496	COUNTERSUNK SCREW M6X20 IS1365-8.8	4	
11*	26-C-3-059	SHIM (40X100X1 THK.)	4	
12	26-C-3-060	SHIM (40X100X3 THK.)	2	
13*	22-C-3-026	SHIM (150X50X1 THK.)	2	
14*	22-C-3-027	SHIM (150X50X3 THK.)	2	
15	22-C-3-016	WEARPAD	2	
16	7302137	SECOND BOOM FAB	1	
17	22-C-3-104	WEARPAD	1	
18*	9100348	COUNTERSUNK SCREW M8X20 IS1365-8.8	4	
19	22-C-3-105	SHIM	1	
20	22-C-3-106	SHIM	1	
21	22-M-3-025	WEAR PAD CARRIER (EXISTING PART)	2	
22*	44-M-3-012	PAD NYLON (EXISTING PART)	2	
23	9100606	HEXAGON HEAD SCREW-IS 1364 (PART 2)/ISO 4017 - M16X70-8.8	2	
24	C9100094	HEXAGON NUT-IS1364(PART-4)/ISO4032-M16-05	2	
25	9100126	HEXAGONAL HEAD BOLT-IS:1364:2002(PART I)/M8X35-8.8	8	
26	22-C-3-107	ROPE RETAINER	10	
27	9100447	HEXAGON HEAD SCREW-IS 1364 (PART 2)/ISO 4017 - M6X25-8.8	20	
28	C9100150	SPRING LOCK WASHER A6- IS:3063 PHOSPHATE COATING	20	
29	9100508	COUNTERSUNK SCREW M6X15 IS1365-8.8	4	

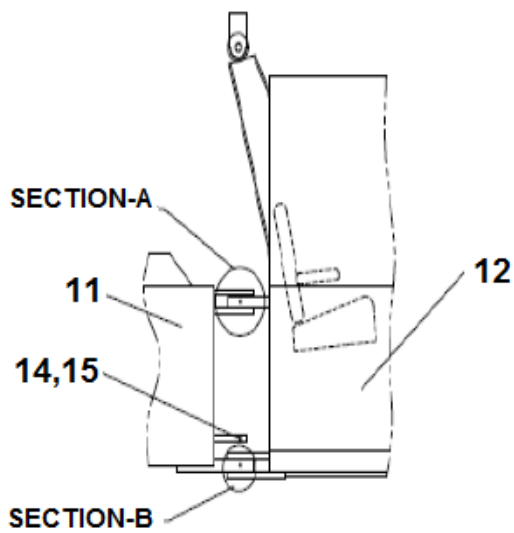
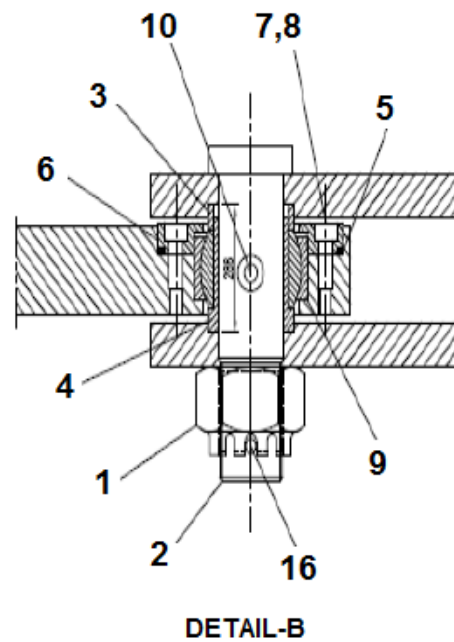
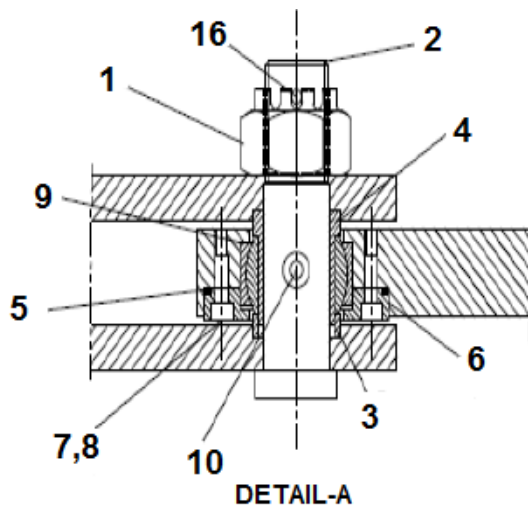
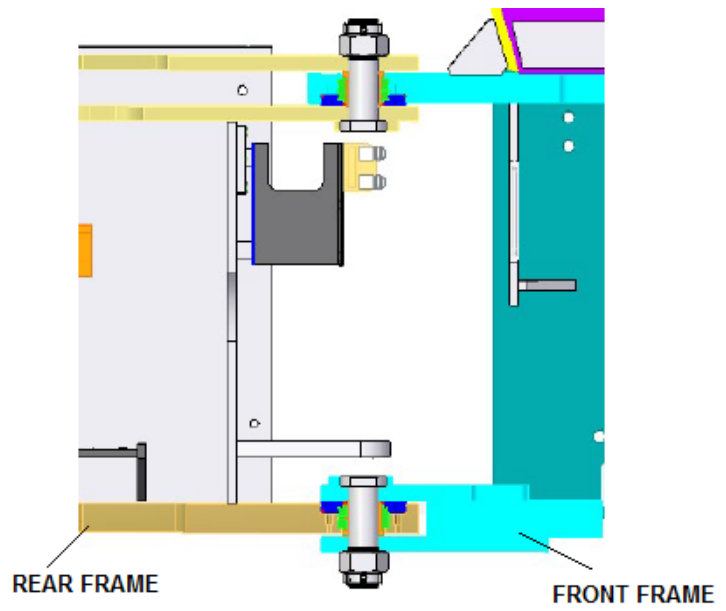
MANUAL BOOM ASSY



F-15

STRUCTURE		MANUAL BOOM ASSY		
S No	Part No	Description	Qty	Remarks
1	822C3108000	PULLEY (13 DIA ROPE)	2	
2	8PP11901000	BALL BEARING (DEEP GROOVE SKF 6010)	2	
3	822M3029000	SPACER (24 THK)	1	
4	822M3030000	SPACER (16 THK)	1	
5	822M3031000	SPACER (78 THK)	1	
7	822M3032000	PIN JIB HEAD	1	
8	8MBH12C2170	HEXAGON HEAD BOLT-IS 1364(PART1)/ISO 4014 - M12X85-8.8	1	
9	8MNN12C0000	NUT NYLOCK (M12 (HEAD SHAFT))	1	
10	822C3017000	WEAR PAD (100X120X30)	1	
11	8MWP1000000	PUNCHED WASHER 11 A IS:2016-1967-STEEL	2	
12	8MWS1000000	SPRING WASHER A10- IS:3063 PHOSPHATE COATING	2	
13	8MSH10C2050	HEXAGON HEAD SCREW-IS 1364 (PART 2)/ISO 4017 - M10X25-8.8	2	
14	822C3018A00	RETAINER WEAR PAD	1	
15	826M3026000	PIN ROPE RETAINER HEAD	4	
16	80PS3200200	PIN SPLIT (Dia. 3.2x20)	8	
17	8MWP120000	PUNCHED WASHER 14 A IS:2016-1967-STEEL	8	
18	8PP10609000	EYEBOLT M10x18LG. (IS:4190)	1	
21	C7303529_A	MANNUAL BOOM FAB	1	
22	822M3011000	LOCKING PIN MANNUAL EXTN.	1	
23	8T011804850	LYNCH PIN	1	
24	822C3109000	SPACER	1	
25	8PP11902000	CIRCLIP INTERNAL (BORE 80x2.5 N IS:3075 PART 2)	6	

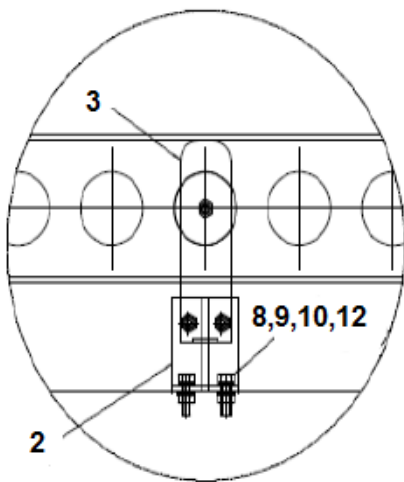
BODY JOINING ASSY



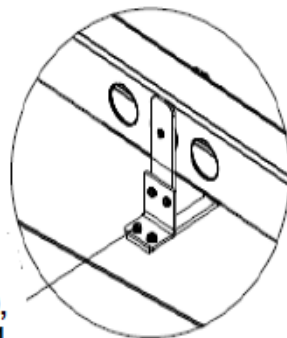
F-15

STRUCTURE		BODY JOINING ASSY		
S No	Part No	Description	Qty	Remarks
1	841C1050000	CASTLE NUT	2	
2	8X00M3010C0	PIN CENTER PIVOT	2	
3	8X00M3025A0	BEARING RING	2	
4	8X00M3025C0	BEARING SLEEVE	2	
5	8X2223001A00	O' RING	2	
6	8X00M3014B0	RETAINING RING	2	
7	8MSA10C0080	SCREW ALLEN	16	
8	8MSG10C0020	GRUB SCREW - M10x10	8	
9	8X222400108	BEARING - (GE 60 DO 2RS)	2	
10	8MNG1000100	GREASE NIPPLE	4	
11	841F2001L00	REAR BODY FAB.	1	
12	841F1001K00	FRONT BODY FAB.	1	
14	8PP10023008	BEARING SPHERICAL PLAIN 30ID SKF GEH 30E	4	
15	8X222400500	CIRCLIP (INTERNAL) - 55x2 N	4	
16	8PP10359000	SPLIT PIN - DIA. 8x100	2	

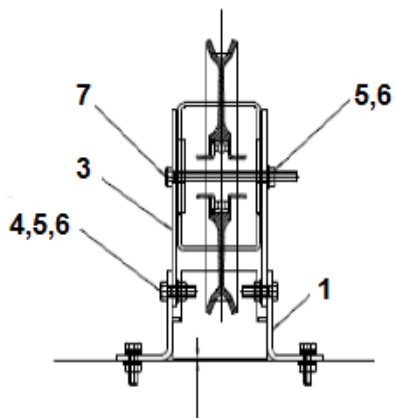
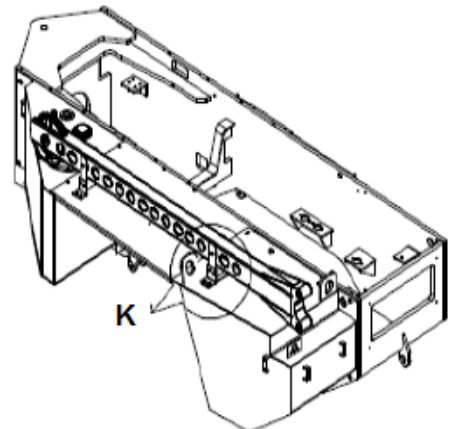
FLY JIB INSTALLATION



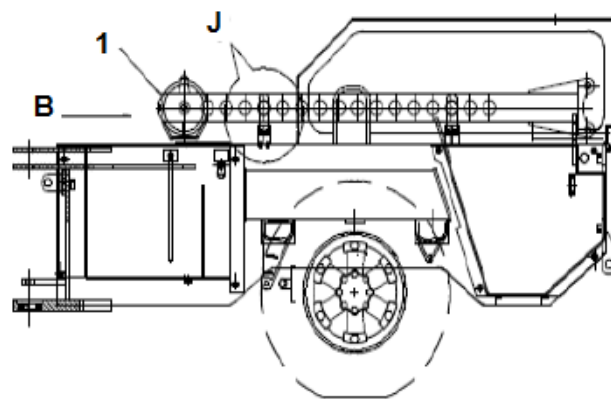
DETAIL-J



DETAIL-K



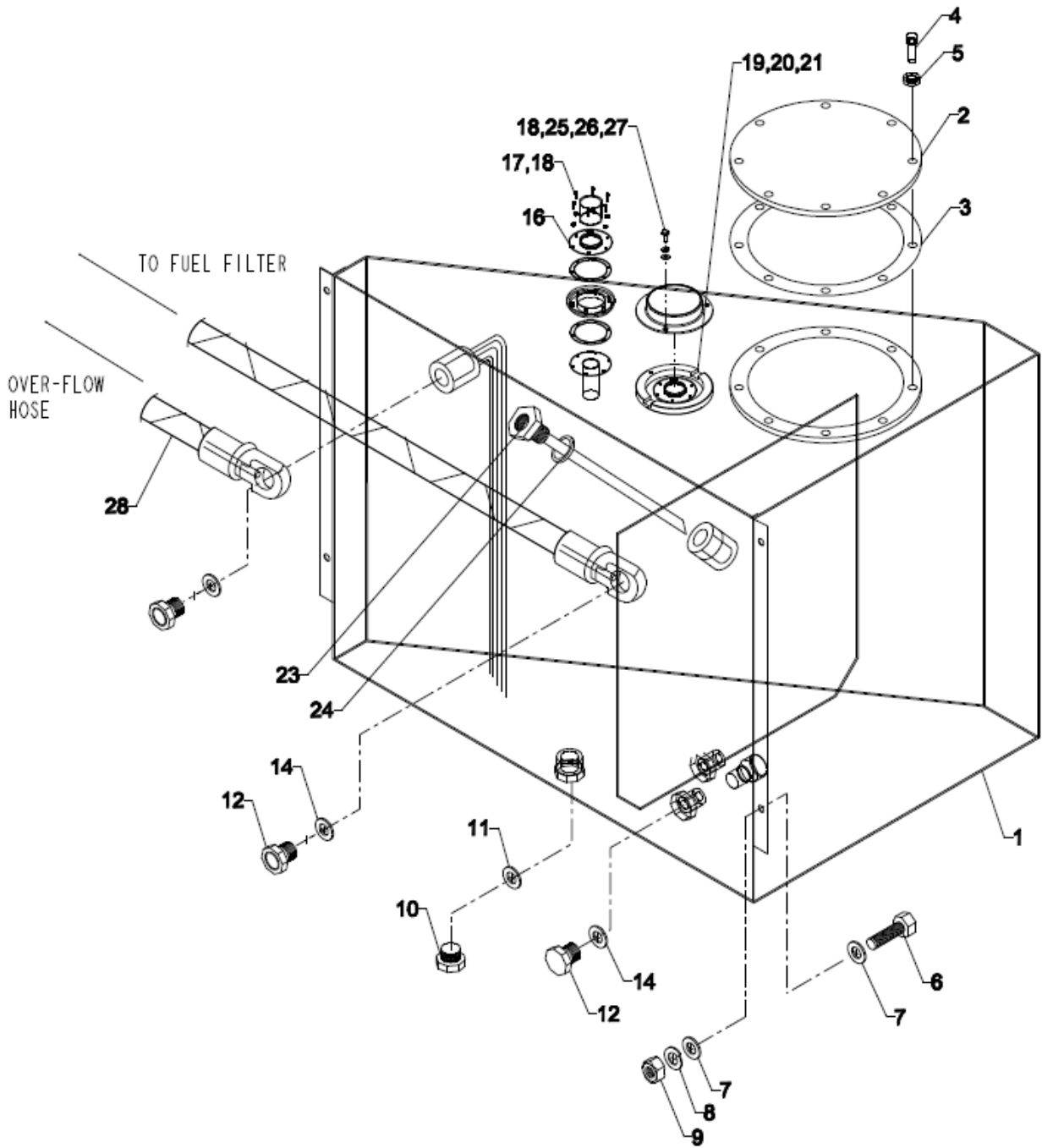
VIEW-B



F-15

STRUCTURE		FLY JIB INSTALLATION		
S No	Part No	Description	Qty	Remarks
1	7302895	FLY JIB ASSY.	1	
2	7304257	FLY JIB MTG. BKT.	2	
3	822F1087A00	PLATE FAB.	4	
4	9100346	HEXAGON HEAD BOLT-IS 1364(PART1)/ISO 4014 -M10X35-8.8	8	
5	9100044	SPRING LOCK WASHER A10- IS:3063 PHOSPHATE COATING	10	
6	9100076	HEXAGON NUT-IS 1364(PART 3)/ISO 4032- M10-8	10	
7	8MBH10C2280	HEX BOLT-M10 X 140	2	
8	9100062	PUNCHED WASHER 9 A IS:2016-1967-STEEL	12	
9	9100046	SPRING LOCK WASHER A8- IS:3063 PHOSPHATE COATING	8	
10	9100166	HEXAGON HEAD SCREW-IS 1364 (PART 2)/ISO 4017 - M8X25-8.8	4	
11	9100052	HEXAGON HEAD SCREW-IS 1364 (PART 2)/ISO 4017 - M8X20-8.8	4	
12	9100068	HEXAGON NUT-IS 1364(PART 3)/ISO 4032- M8-8	4	

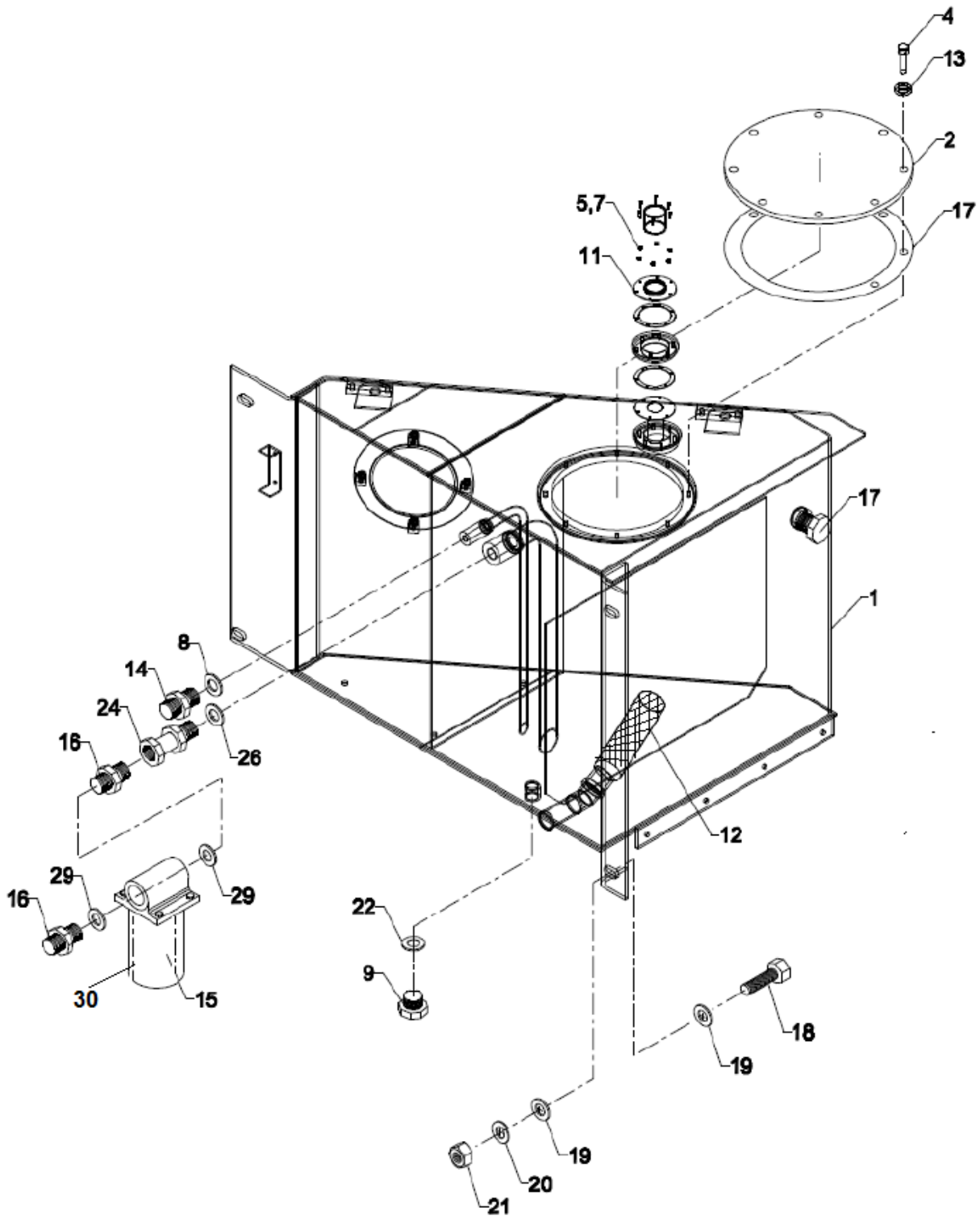
FUEL TANK ASSY



F-15

STRUCTURE		FUEL TANK ASSY		
S No	Part No	Description	Qty	Remarks
1	C7304140	FUEL TANK FAB.	1	
2	C822M2025A00	COVER	1	
3	C822C2112000	GASKET	1	
4	C9100052	HEXAGON HEAD SCREW	8	
5	C9100046	SPRING LOCK WASHER	8	
6	C9100243	HEXAGON HEAD BOLT	4	
7	C9100106	PUNCHED WASHER	8	
8	C9100092	SPRING LOCK WASHER	4	
9	C9100094	HEXAGON NUT	4	
10	C8T050300090	MAGNETIC PLUG	1	
11	C8T010102210	BRASS WASHER	1	
12	C8T540000170	BANJO BOLT	2	
14	C8T540000180	COPPER WASHER	2	
16	C8V054790100	AIR BREATHER ASSY	1	
17	C8MSK06C2030	SCREW CSK	6	
18	C9100150	SPRING LOCK WASHER	9	
19	C8F853602700	FUEL LEVEL SENSOR	1	
20	C9100134	HEXAGON HEAD SCREW	6	
21	C9100460	SPRING LOCK WASHER	6	
23	C822C2063B00	PIPE ASSEMBLY	1	
24	C8G956010020	DOWTY SEAL	1	
25	C9100073	PUNCHED WASHER	3	
26	C9100445	HEXAGON HEAD SCREW	3	
27	C7601693	COVER	1	
28	C7304228	FUEL HOSE	1	

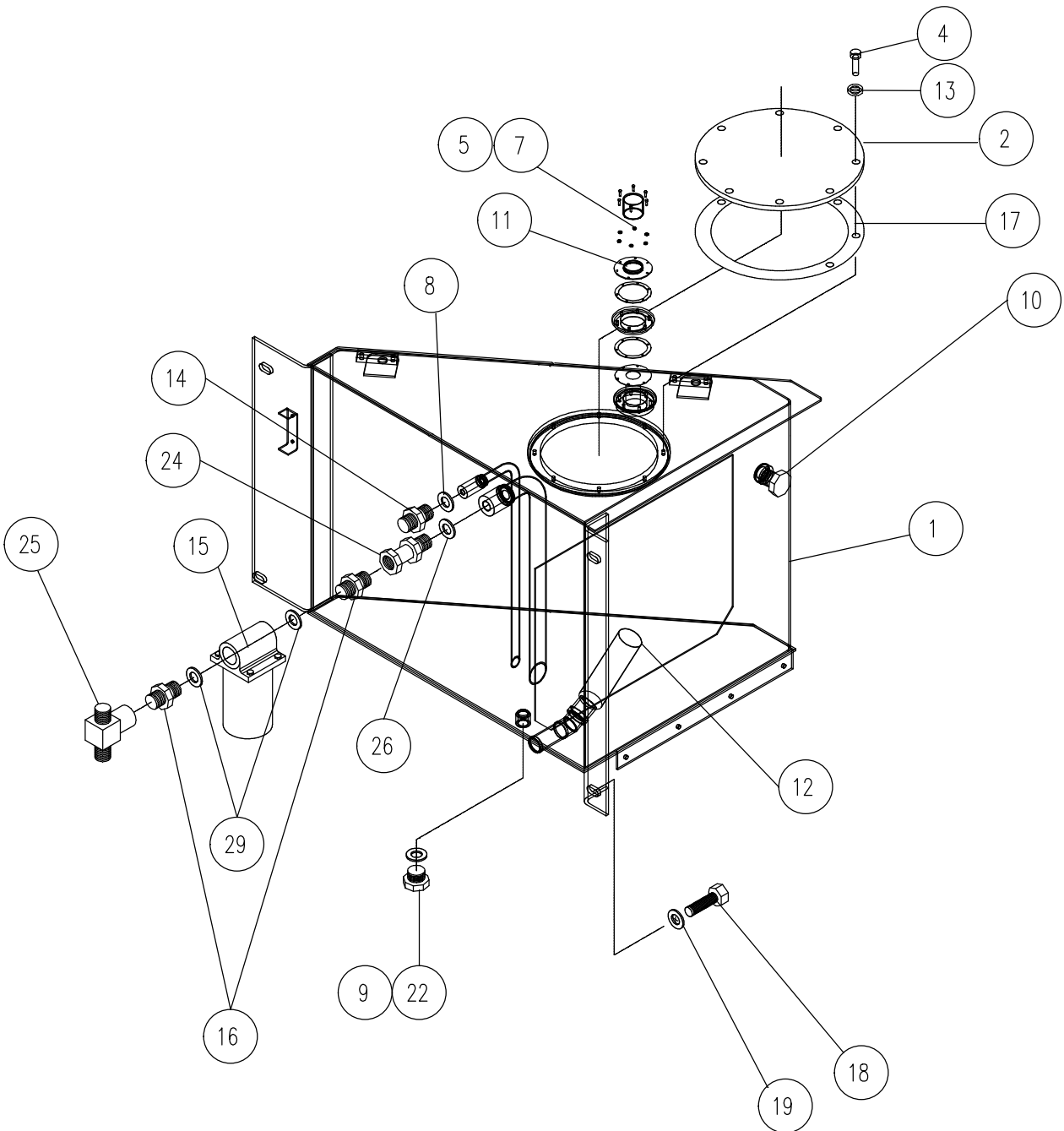
HYDRAULIC TANK ASSY



F-15

STRUCTURE		HYDRAULIC TANK ASSY		
S NO	PART NO	DESCRIPTION	QTY	REMARKS
1	C7303322	HYDRAULIC TANK FAB.	1	
2	C822M2025A00	COVER	1	
4	C9100052	HEXAGON HEAD SCREW	8	
5	C9100445	HEXAGON HEAD SCREW	6	
7	C9100150	SPRING LOCK WASHER	6	
8	C8G956010010	DOWTY SEAL	1	
9	C8T050300090	MAGNETIC PLUG	1	
10	C8D922552000	OIL EYE PLUG	1	
11	C8V054790100	AIR BREATHER ASSY	1	
12	C8X223400800	SCREEN FILTER	1	
13	C9100046	SPRING LOCK WASHER	8	
14	C8X223400300	ADAPTOR	1	
15	C8X223400800	RETURN LINE FILTER-HYDROLINE	1	
16	C8PP11633000	ADAPTER	2	
17	C822C2112000	GASKET	1	
18	C9100284	HEXAGON HEAD SCREW	4	
19	C9100106	WASHER PLAIN	8	
20	C9100092	WASHER SPRING	4	
21	C9100176	NUT HEX	4	
22	C8T010102210	BRASS WASHER	1	
24	C841M1017000	ADAPTOR- RETURN LINE	1	
26	C8G956010020	DOWTY SEAL	3	
29	C8G956010080	DOWTY SEAL	2	
30	HFE-20-025	ELEMENT RETURN LINE FILTER	1	

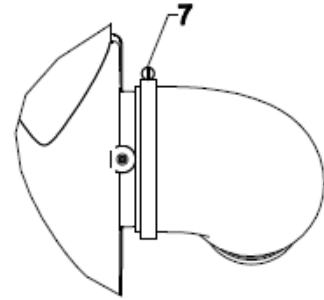
HYDRAULIC TANK ASSY



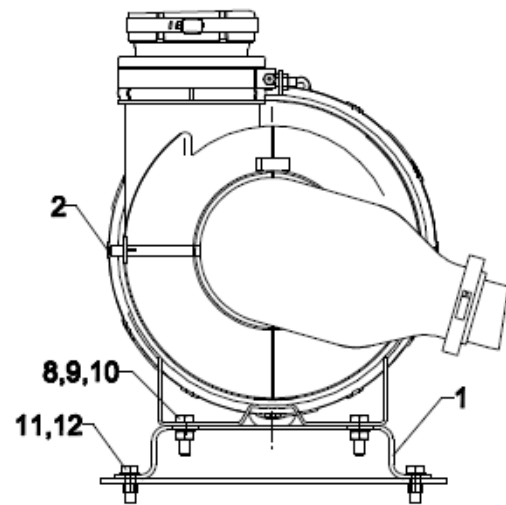
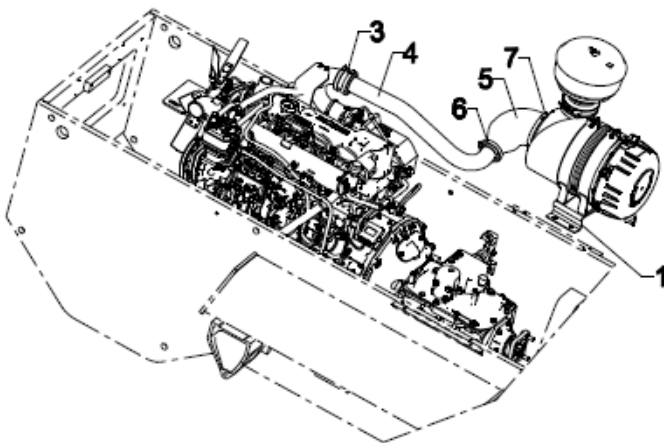
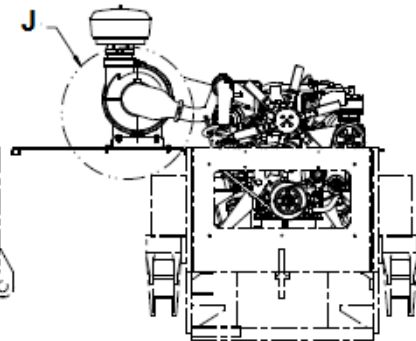
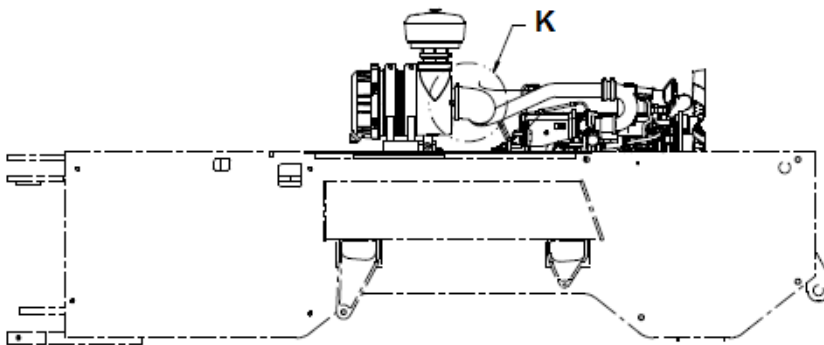
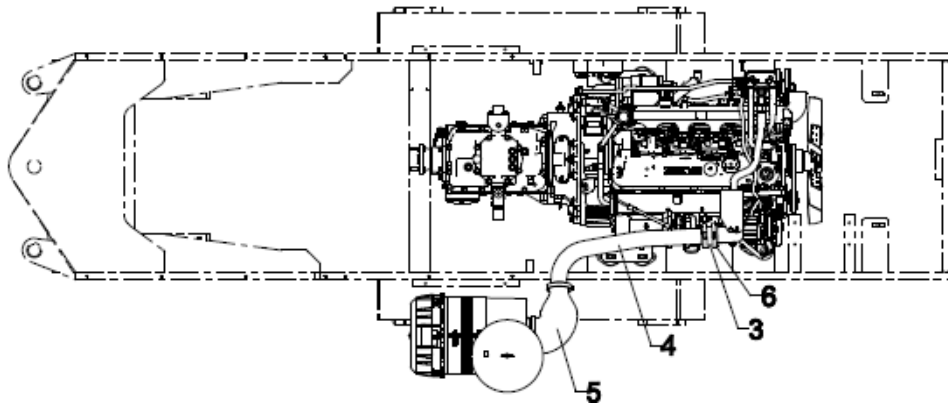
F-15

STRUCTURE		HYDRAULIC TANK ASSY		
S No	Part No	Description	Qty	Remarks
1	C7310651	HYDRAULIC TANK FAB.	1	
2	822M2025A00	COVER	1	
4	9100052	HEXAGON HEAD SCREW -M8X20-8.8	8	
5	9100445	HEXAGON HEAD SCREW - M6X15-8.8	6	
7	9100150	SPRING LOCK WASHER A6	6	
8	8G956010010	DOWTY SEAL 1/4" BSP	1	
9	8T050300090	MAGNETIC PLUG	1	
10	8D922552000	OIL EYE PLUG M30X1.5 KNOB	1	
11	8V054790100	AIR BREATHER ASSY	1	
12	8X223400800	SCREEN FILTER SC3/030	1	
13	9100046	SPRING LOCK WASHER A8	8	
14	8X223400300	ADAPTOR(1/4"BSPP X 9/16"JIC M)	1	
15	8PP11632000	RETURN LINE FILTER-HYDROLINE	1	
16	8PP11633000	ADAPTER 1"BSPP X 1-5/16"JIC	2	
17	822C2112000	GASKET	1	
18	9100284	HEXAGON HEAD SCREW - M16X60-8.8	4	
19	9100106	WASHERPLAIN-M16-IS:2016,TYPE-A	8	
22	8T010102210	BRASS WASHER	1	
24	841M1017000	ADAPTOR- RETURN LINE	1	
25	8PP10750000	TEE S67-212112	1	
26	8G956010020	DOWTY SEAL 1"BSP	3	
29	8G956010080	DOWTY SEAL 1-1/4" BSP	2	

AIR INTAKE SYSTEM



DETAIL "K"



DETAIL "J"

F-15

STRUCTURE		AIR INTAKE SYSTEM		
S No	Part No	Description	Qty	Remarks
1	C7304221	AIR CLEANER BKT	1	
2	C7302497	AIR-CLEANER	1	
3	C7303672	HOSE	1	
4	C7303673	PIPE	1	
5	C7303674	HOSE	1	
6	C9100768	HOSE CLAMP	3	
7	C7302177	HOSE CLAMP	1	
8	C9100269	HEXAGON HEAD SCREW	4	
9	C9100044	SPRING LOCK WASHER	4	
10	C9100076	HEXAGON NUT	4	
11	C9100166	HEXAGON HEAD SCREW	4	
12	C9100062	PUNCHED WASHER	4	

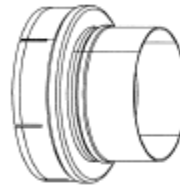
AIR CLEANER



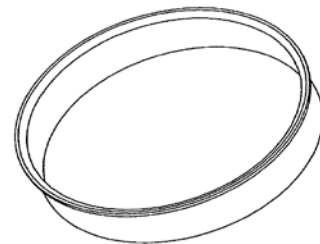
1. PRECLEANER



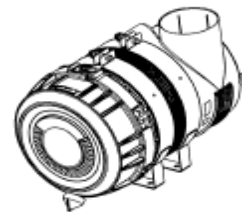
2. SLEEV RUBBER



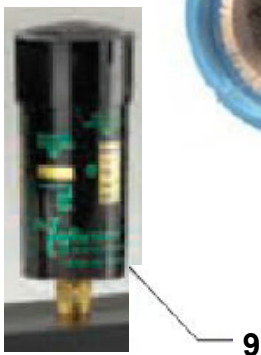
3. PIPE ASSY



4. SLEEV RUBBER



5. AIR CLEANER

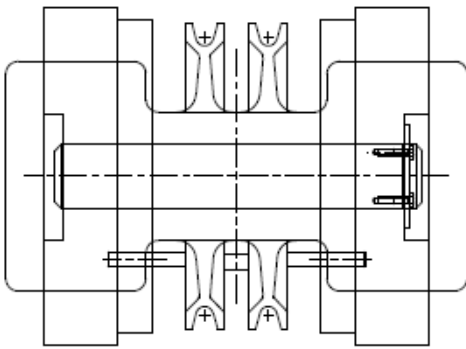


9

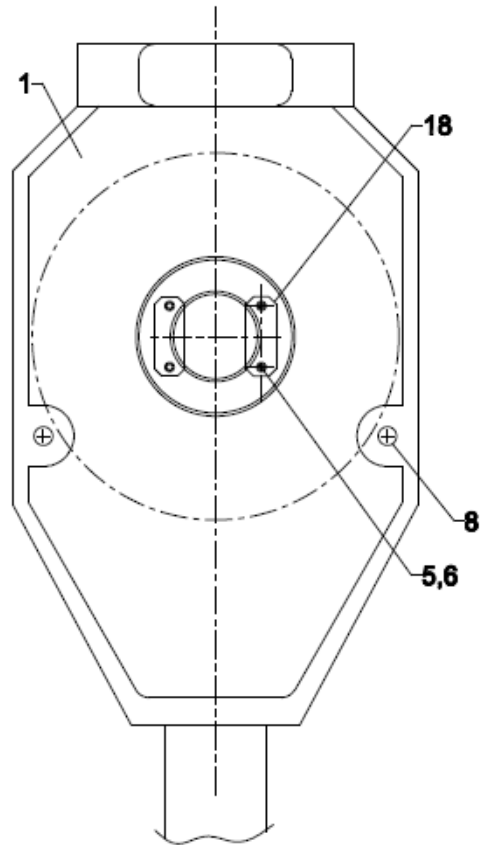
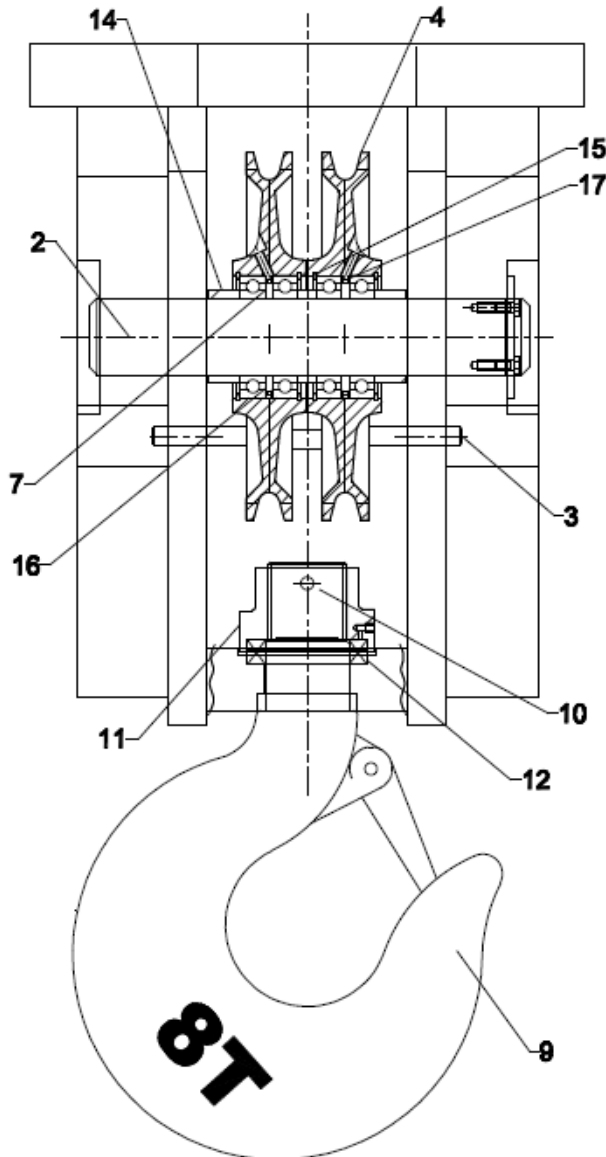
F-15

STRUCTURE		AIR CLEANER		
S No	Part No	Description	Qty	Remarks
1	C7303812	PRECLEANER	1	
2	C7303813	SLEEV RUBBER	1	
3	C7303814	PIPE ASSY	1	
4	C7303815	SLEEV RUBBER	1	
5	C7303817	AIR CLEANER	1	
6	C7303972	AIR FILTER PRIMARY	1	
7	C7303973	AIR FILTER SAFETY	1	
8	C7308925	EJECTOR VALVE	1	
9	47.113.15.0	DUST INDICATOR	1	

SNATCH BLOCK ASSY-4 PART BOOM(4 FALLS)



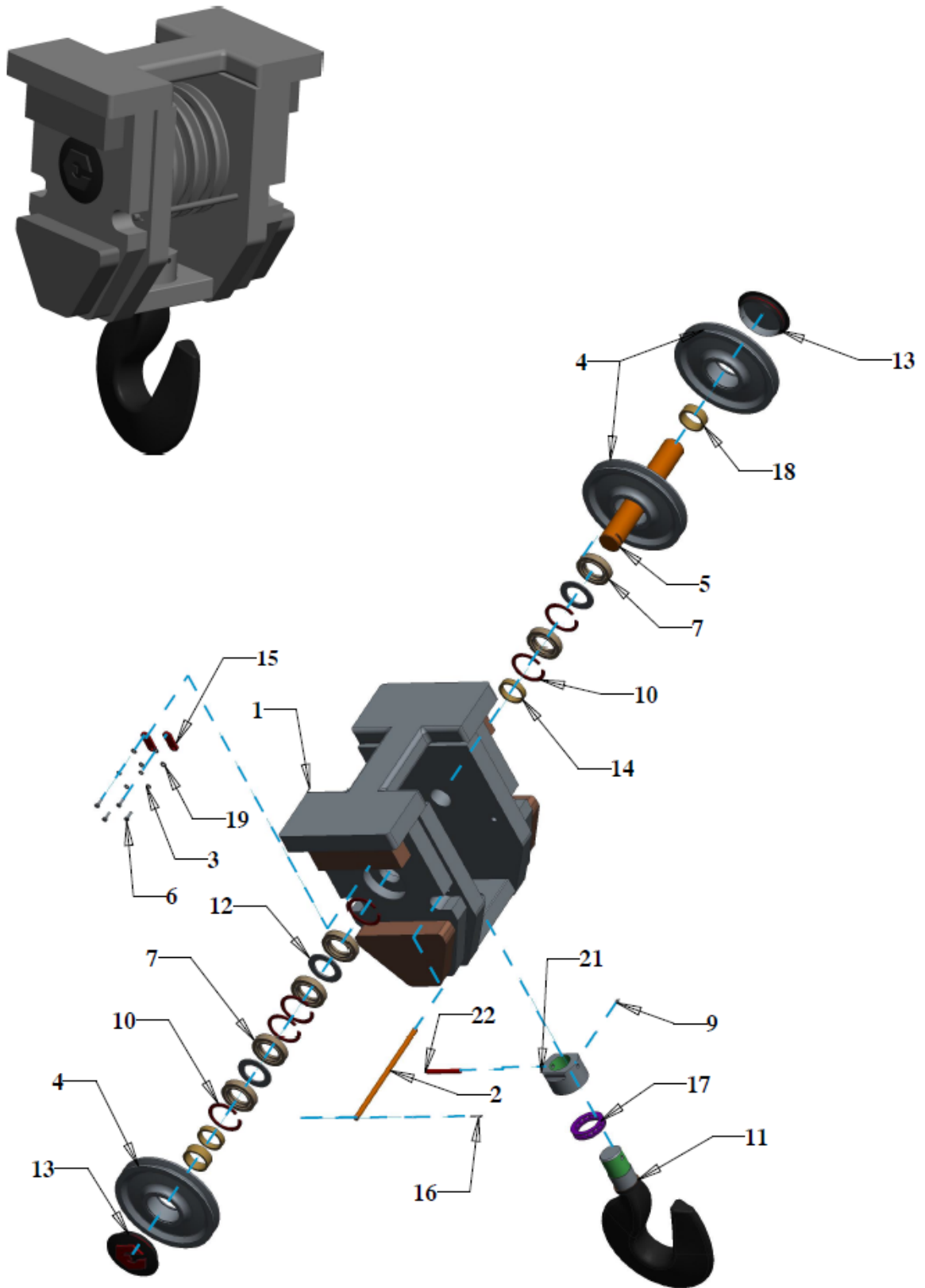
(WHEN PULLEYS ARE HOLD TOGETHER)



F-15

STRUCTURE		SNATCH BLOCK ASSY-4 PART BOOM(4 FALLS)		
S No	Part No	Description	Qty	Remarks
1	C822C3033E00	SNATCH BLOCK FABRICATION	1	
2	C822M3037000	PIN SNATCH BLOCK	1	
3	C826M3026A00	PIN ROPE RETAINER	2	
4	C822C3108000	PULLEY	2	
5	C8MSH06C2030	HEX. SCREW	4	
6	C8MWS0600000	SPRING WASHER	4	
7	C8PP11901000	BEARING SKF 6010	4	
8	C8PP10084000	CLIP MINSUP	4	
9	19-M-3-035	HOOK MACHENED (8 TON)	1	
10	C8V052630100	SPRING DOWEL	1	
11	C822M3010B00	NUT (HOOK)	1	
12	C8N221214400	THRUST BEARING	1	
13	C8MNG0601000	NIPPLE GREASE	1	
14	C822M3035000	SPACER 21 MM	2	
15	C822M3036000	SPACER 13 MM	1	
16	C822C3109000	SPACER 5 MM	2	
17	C8PP11902000	CIRCLIP INTERNAL	4	
18	22-P-05-73	LOCKING PLATE	2	

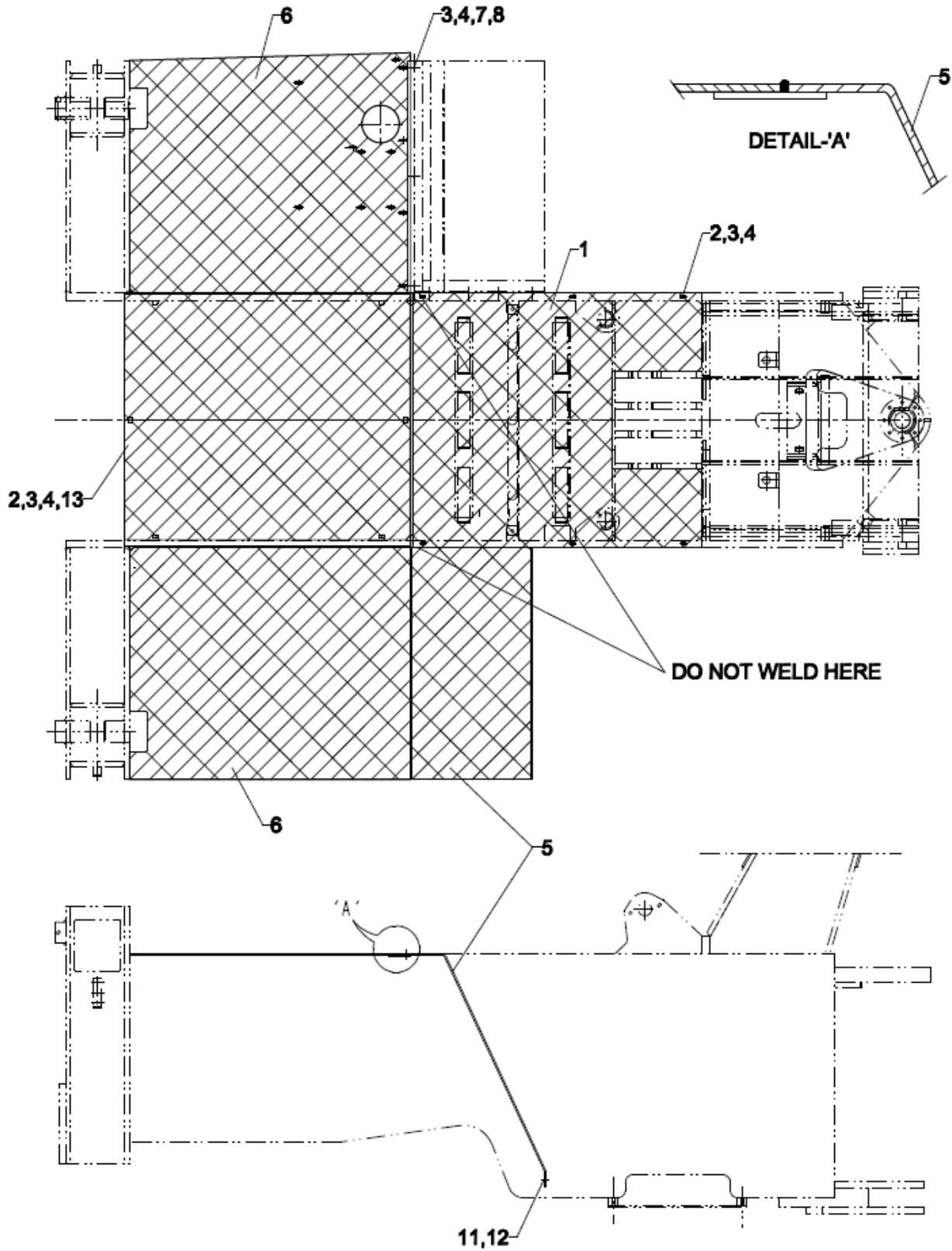
SNATCH BLOCK ASSY-3 PART BOOM(6 FALLS)



F-15

STRUCTURE		SNATCH BLOCK ASSY – 3 PART BOOM (6 FALLS)		
S No	Part No	Description	Qty	Remarks
1	7300216	SNATCH BLOCK FAB	1	
2	19-M-3-013	PIN ROPE RETAINER	2	
3	8MSH0600000	SPRING WASHER	4	
4	22-C-3-108	PULLY	3	
5	7300528	PIN	1	
6	8MBH06C2040	BOLT HEX (M6x20)	4	
7	19-B-3-001	DEEP GROOVE BAL BEARING (SKF-6010-2Z)	6	
9	8MNG0601000	NIPPLE GREASE (M 6)	1	
10	8PP11902000	CIRCLIP INTERNAL (IS:3075)	6	
11	7300447	HOOK - MACHINED 12.5T (REF 19-M-3-034/041)	1	
12	22-C-3-109	SPACER,5MM	3	
13	24-C-2-009	COVER (WITH LOGO)	2	
14	22-M-3-036	SPACER,13MM	2	
15	22-P-05-73	LOCKING PLATE	2	
16	8PP10084000	CLIP MINSUP	4	
17	8N221214400	THRUST BEARING (SKF - 51114)	1	
18	22-M-3-035	SPACER	2	
19	8MWP0600000	WASHER PLAIN	4	
21	7300441	NUT (HOOK SNATCH BLOCK)	1	
22	23-M-3-016	DOWEL PIN (DIA 10X115 - IS 5988)	1	

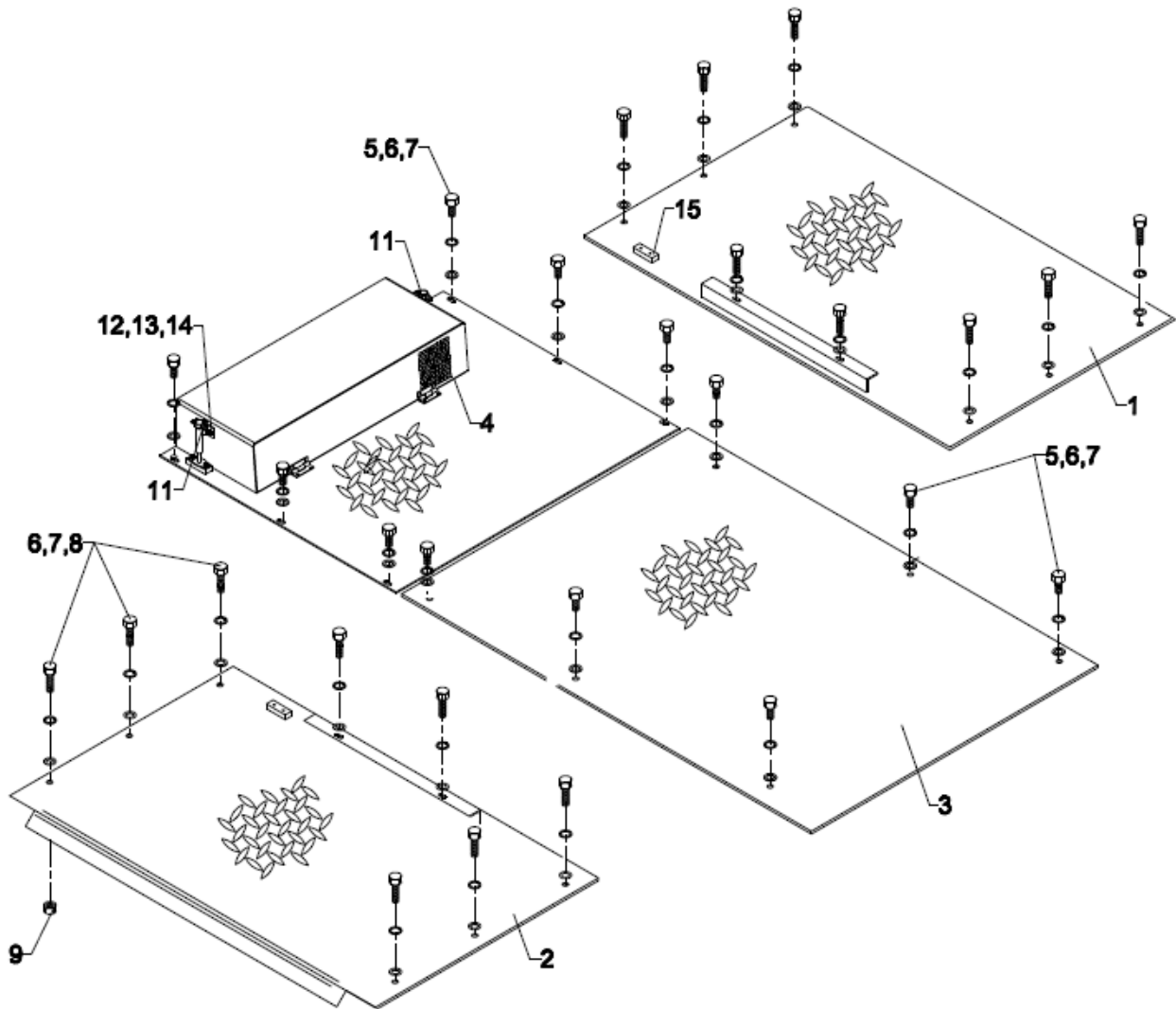
FRONT COVERS ASSY



F-15

STRUCTURE		FRONT COVERS ASSY		
S No	Part No	Description	Qty	Remarks
1	C8XMP0304C0	HYDRAULIC BOX TOP PLATE	1	
2	C9100052	HEXAGON HEAD SCREW	12	
3	C9100062	PUNCHED WASHER	19	
4	C9100046	SPRING LOCK WASHER	19	
5	C841P0513A00	FRONT GUARD BOTTOM	1	
6	C822P0578000	R. H. MUDGUARD	1	
7	C9100166	HEXAGON HEAD SCREW	7	
8	C9100068	HEXAGON NUT	7	
9	C822P0577000	L.H.MUDGAURD	1	
11	C8X222202200	MUDFLAP BOLTING STRIP	1	
12	C822C1071A00	BRACKET -2 SPOOL VALVE	1	
13	C7307055	DRAG WINCH COVER PLATE	1	

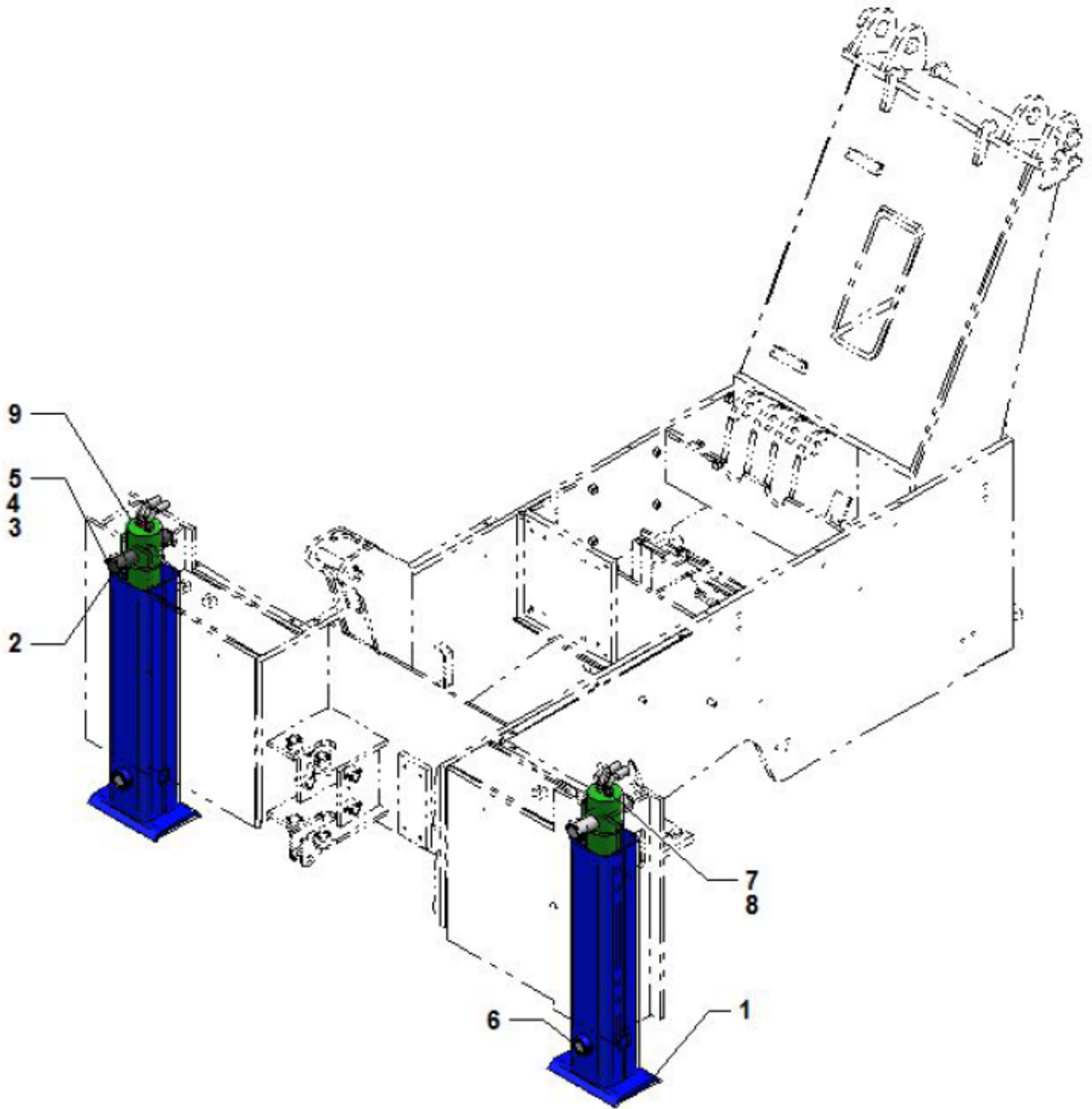
COVER ASSY REAR BODY



F-15

STRUCTURE		COVER ASSY REAR BODY		
S No	Part No	Description	Qty	Remarks
1	C7304158	COVER PLATE-LH	1	
2	C7304157	COVER PLATE-RH SIDE	1	
3	C7302431	COVER FRONT (REAR COVER ASSY)	1	
4	C7302432	COVER REAR (REAR COVER ASSY)	1	
5	C9100052	HEXAGON HEAD SCREW	12	
6	C9100046	SPRING LOCK WASHER	28	
7	C9100062	PUNCHED WASHER	28	
8	C9100061	HEXAGON HEAD SCREW	16	
9	C9100307	PREVAILING TORQUE TYPE NUT	16	
11	C8PP10562000	METAL FASTENER WITH GRIP	2	
12	C9100134	HEXAGON HEAD SCREW	8	
13	C9100077	PUNCHED WASHER	8	
14	C9100341	HEXAGON NUT	4	
15	47-C-2-053	MTG PLATE BONNET GRIP	2	

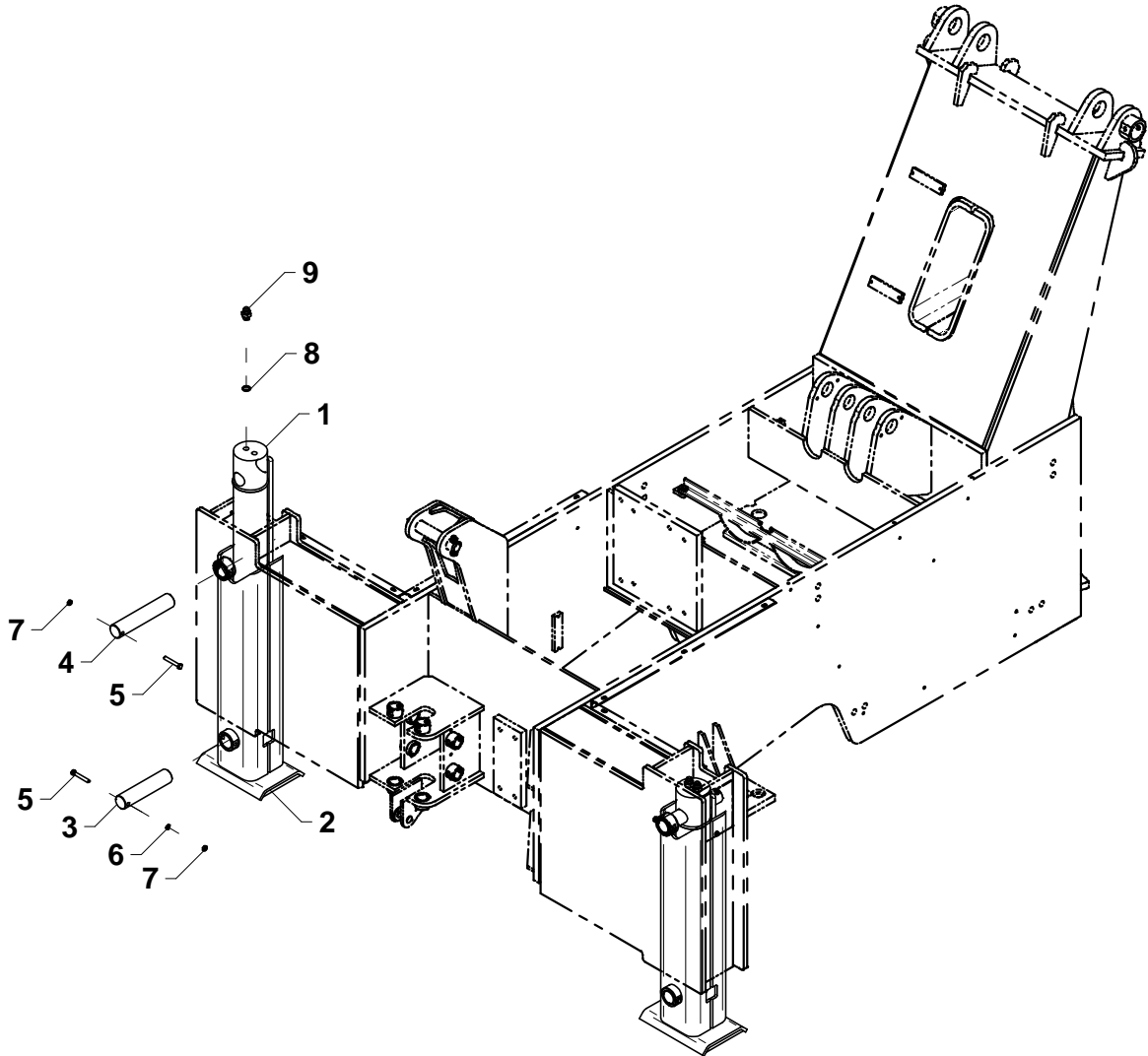
OUTRIGGER MTG ARGMT



F-15

STRUCTURE		OUTRIGGER MTG ARGMT		
S No	Part No	Description	Qty	Remarks
1	C7305671	STABILIZER BOX FAB	2	
2	C841M2010000	PIN	2	
3	C9100220	HEXAGON HEAD BOLT	4	
4	C9100044	SPRING LOCK WASHER	4	
5	C9100076	HEXAGON NUT	4	
6	C841M2060000	PIN	2	
7	C8PP10385000	ADOPTOR	2	
8	C8G956010050	DOWTY SEAL	2	
9	C822C1175000	OURIGGER CYL.(DUAL P.O. CHK VALVE)	2	

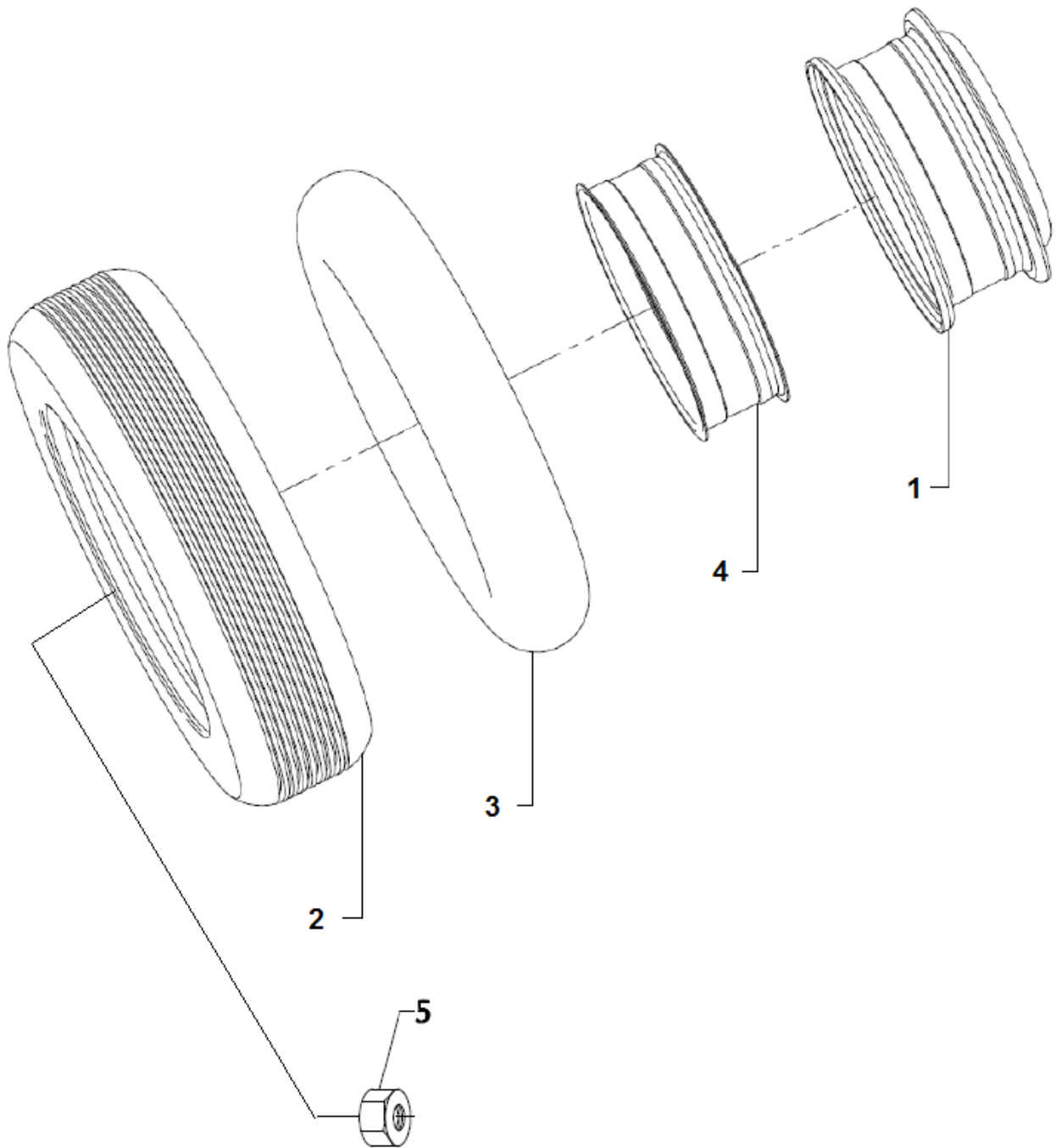
OUTRIGGER INSTALLATION-7310130-WITH SMALL OUTRIGGER BOX CYLINDER



F-15

STRUCTURE		OUTRIGGER INSTALLATION-7310130		
S No	Part No	Description	Qty	Remarks
1	7309724	OUTRIGGER CYLINDER	2	
2	7311514	BOX FABRICATION STABLIZATION	2	
3	C819M3046000	PIN	2	
4	C824M2034000	PIN JIB HEAD LOWER	2	
5	9100220	HEXAGON HEAD BOLT-IS 1364(PART1)/ISO 4014	4	
6	9100044	SPRING LOCK WASHER A10-IS:3063	4	
7	C9100076	HEXAGON NUT-IS 1364(PART 3)/ISO 4032- M10-8	4	
8	C8G956010050	DOWTY SEAL 1/2" BSP	4	
9	C8PP10385000	FITTING -1/2"BSPPXJIC JIC 3/4"	4	

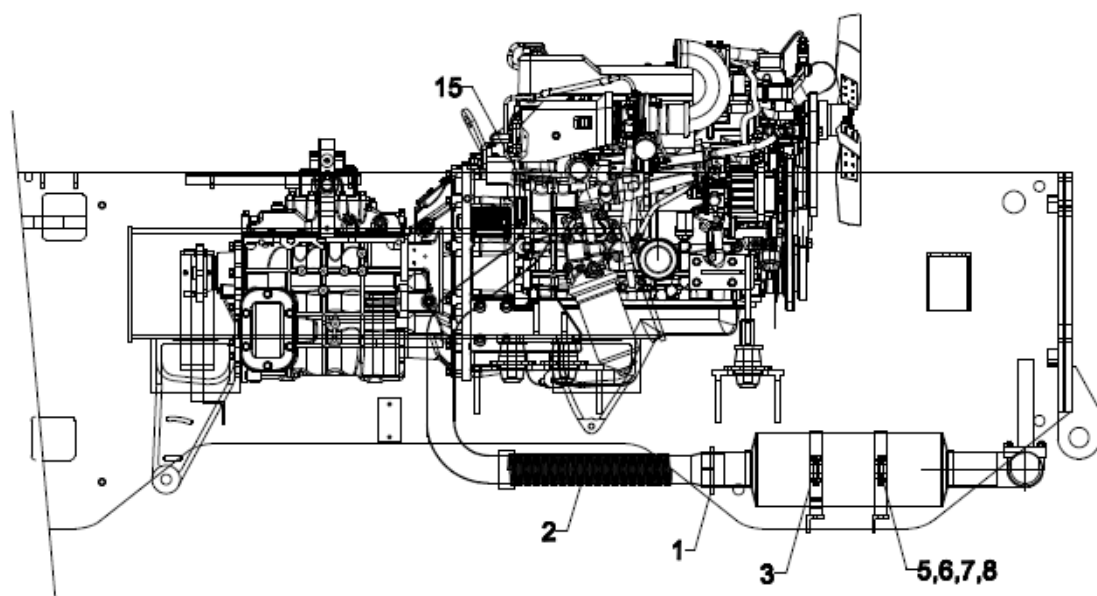
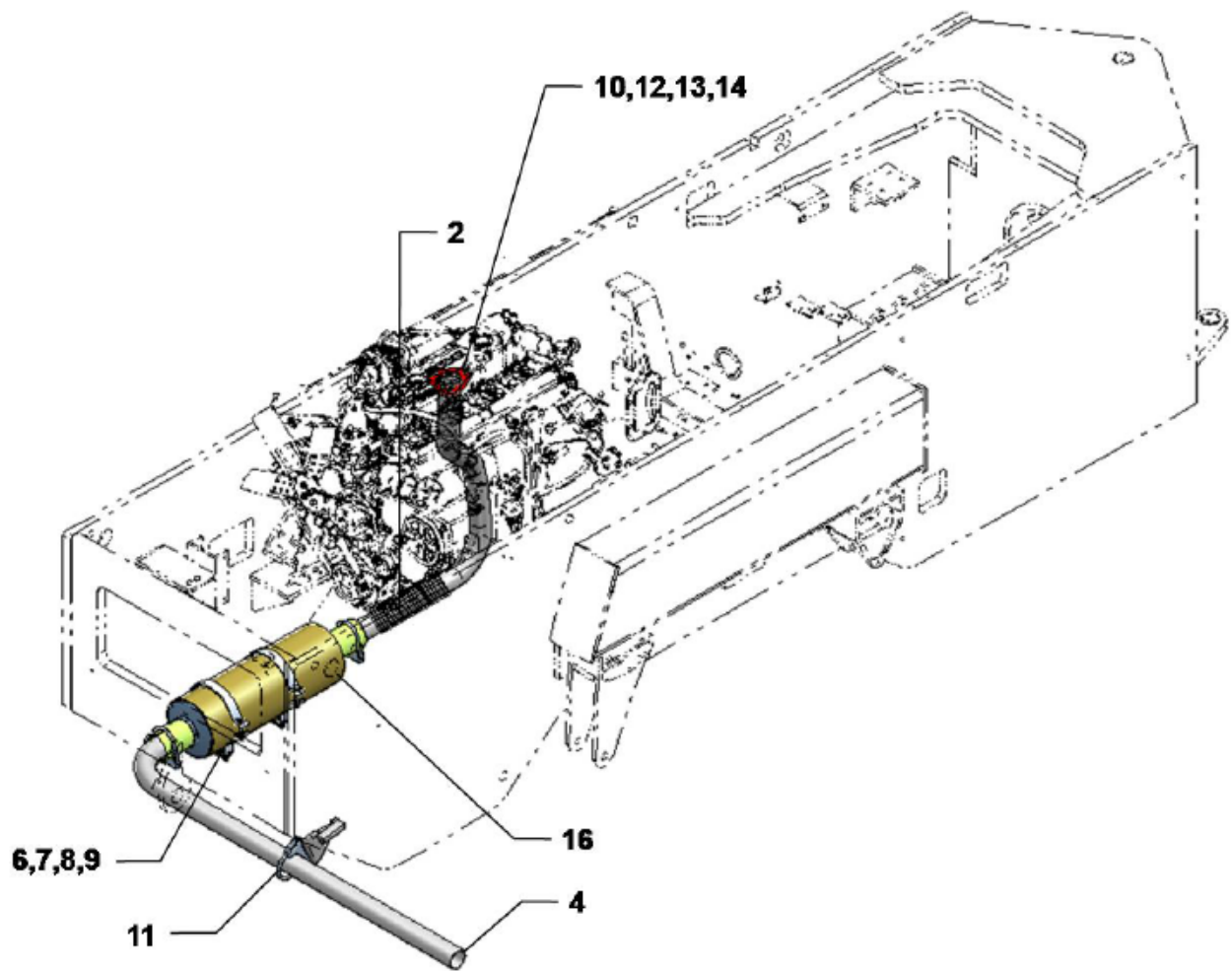
TYRE ASSY



F-15

STRUCTURE		TYRE ASSY		
S No	Part No	Description	Qty	Remarks
1	C7303298	RIM	4	
2	C8PP10674000	TYRE 11.00X20 - LUG TYPE	4	
3	C8T552502900	TUBE 11.00X20	4	
4	C8T800011900	FLAPPER 11:00X20	4	
5	C9100600	WHEEL NUT	16	

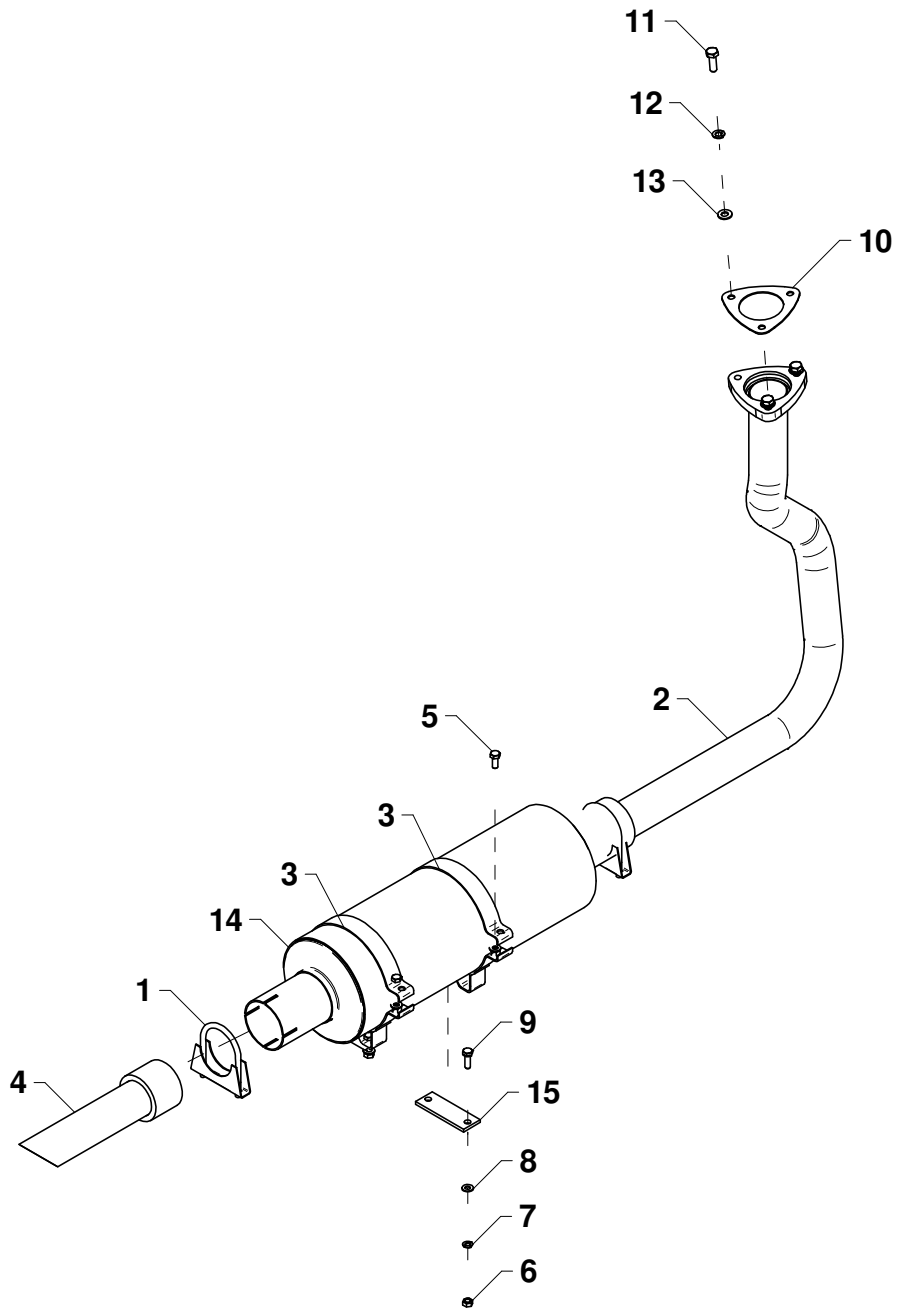
EXHAUST SYSTEM



F-15

STRUCTURE		EXHAUST SYSTEM		
S No	Part No	Description	Qty	Remarks
1	C8V121280200	CLAMP	2	
2	C7303757	FLEX PIPE FAB	1	
3	C822F2045000	CLAMP	2	
4	C822F2031A00	SILENCER PIPE	1	
5	C9100047	HEXAGON HEAD BOLT	2	
6	C9100068	HEXAGON NUT	6	
7	C9100046	SPRING LOCK WASHER	6	
8	C9100062	PUNCHED WASHER	6	
9	C9100052	HEXAGON HEAD SCREW	4	
10	C847B1014000	GASKET	1	
11	C841F1023000	SILENCER CLAMP	1	
12	C9100266	HEXAGON HEAD SCREW	3	
13	C9100044	SPRING LOCK WASHER	3	
14	C9100040	PUNCHED WASHER	3	
15	C9101192	HEXAGON NUT	3	
16	C7302108	SILENCER	1	

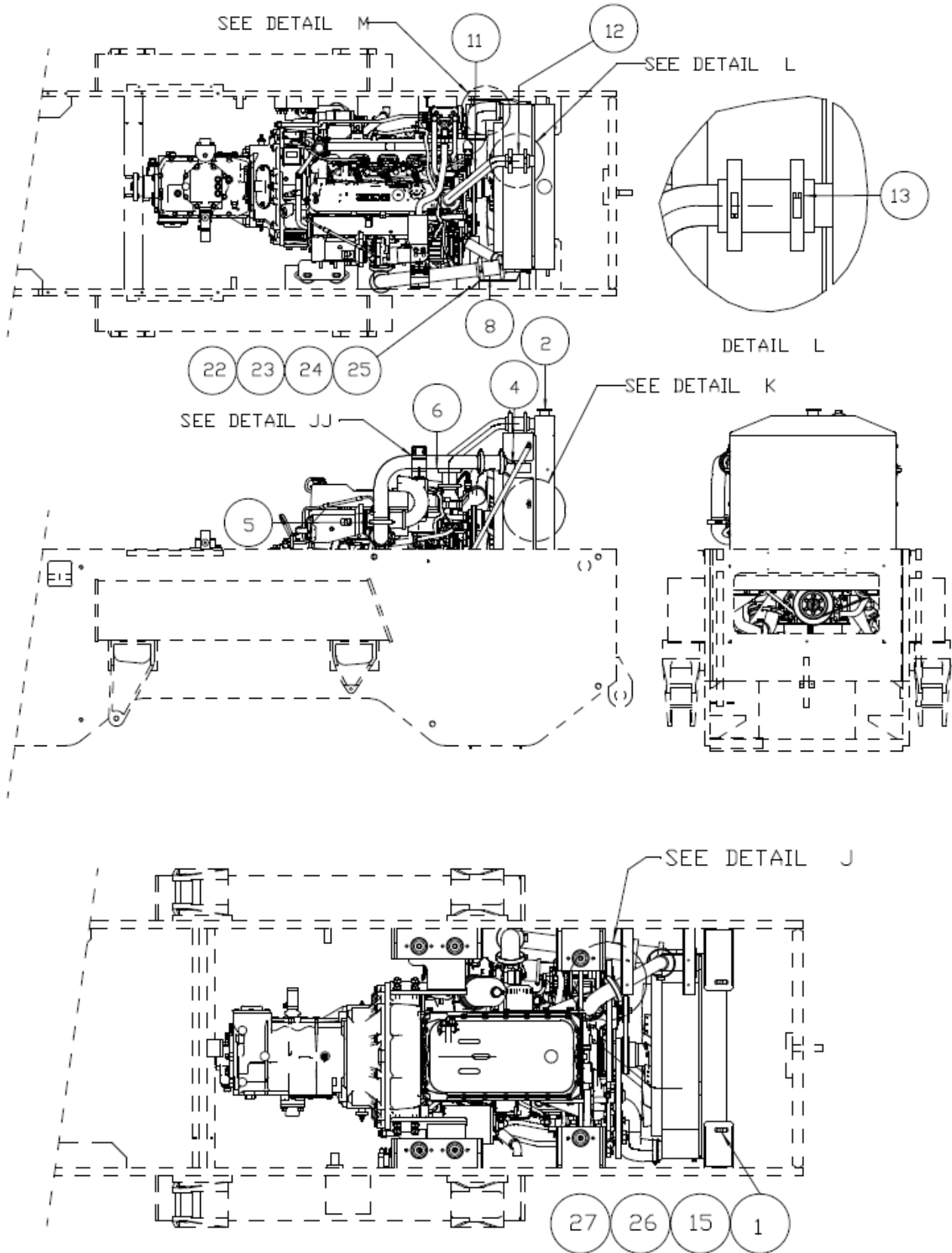
EXHAUST SYSTEM -7303661



F-15

STRUCTURE		EXHAUST SYSTEM		
S No	Part No	Description	Qty	Remarks
1	8V121280200	CLAMP ASSY	3	
2	7308108	EXHAUST PIPE FAB	1	
3	7308200	CLAMP	2	
4	7310902	SILENCER PIPE	1	
5	9100047	HEXAGONAL HEAD BOLT/M8X20-8.8	2	
6	9100068	HEXAGON NUT-IS1364(PART-3)/ISO4032-M8-8	6	
7	9100046	SPRING LOCK WASHER A8	6	
8	9100062	PUNCHED WASHER A9 IS: 2016-STEEL	6	
9	9100166	HEXAGON HEAD SCREW - M8X25-8.8	4	
10		GASKET	1	
11	9100269	HEXAGON HEAD SCREW - M10X30-8.8	3	
12	9100044	SPRING LOCK WASHER A10	3	
13	9100040	PUNCHED WASHER A11 IS: 2016-STEEL	3	
14	7302108	SILENCER	1	
15	7308110	RUBBER PAD	2	

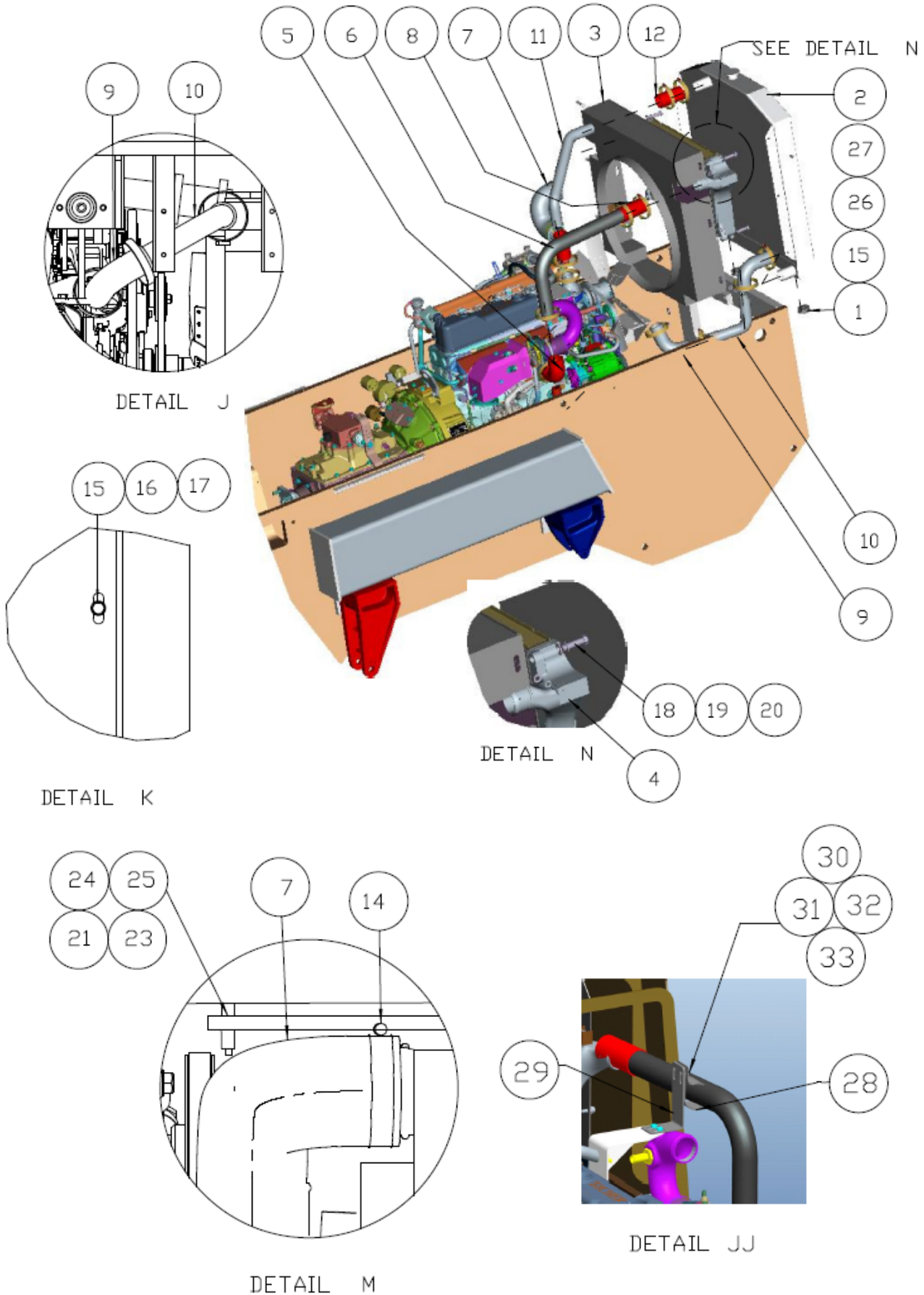
COOLING SYSTEM



F-15

STRUCTURE		COOLING SYSTEM		
S No	Part No	Description	Qty	Remarks
1	C19-C-3-015	RADIATOR MTG. PAD	6	
2	C7302377	RADIATOR ASSY.	1	
3	C7303675	COWLING	1	
4	C7301841	CHARGED AIR COOLER	1	
5	C7303677	HOSE	1	
6	C7303695	PIPE	1	
7	C7303694	OUTLET HOSE CAC	1	
8	C7303692	HOSE	1	
9	C7302903	HOSE RADIATOR LOWER	2	
10	C7302905	STEEL PIPE	1	
11	C7303693	STEEL PIPE	1	
12	C7303696	HOSE	2	
13	C9100736	HOSE CLAMP 60 IS : 4762	12	
14	C9100719	HOSE CLAMP 75 IS : 4762	2	
15	C9100062	PUNCHED WASHER 9 A IS:2016-1967-STEEL	8	
16	C9100046	SPRING LOCK WASHER A8- IS:3063 PHOSPHATE COATING	6	
17	C9100166	HEXAGON HEAD SCREW-IS 1364 (PART 2)/ISO 4017 - M8X25-8.8	6	
18	C9100059	PUNCHED WASHER 14 A IS:2016-1967-STEEL	4	
19	C9100088	SPRING LOCK WASHER A12- IS:3063 PHOSPHATE COATING	4	
20	C9100275	HEXAGON HEAD SCREW-IS 1364 (PART 2)/ISO 4017 - M12X50-8.8	4	
21	C822C2087A00	RADIATOR STAY	1	
22	C822C2088000	RADIATOR STAY	1	
23	C9100215	HEXAGON HEAD BOLT-IS 1364(PART1)/ISO 4014-M10X45-8.8	2	
24	C9100076	HEXAGON NUT-IS 1364(PART 3)/ISO 4032-M10-8	2	
25	C9100040	PUNCHED WASHER 11 A IS:2016-1967-STEEL	2	
26	C9100307	PREVAILING TORQUE TYPE NUT-M8-IS 7002-8-P	2	
27	C8V1916007000	RADIATOR MTG. CAP	4	
28	C7301825	PIPE CLAMP	1	
29	C7304206	BEND PLATE	1	
30	C9100150	SPRING LOCK WASHER A6- IS:3063	2	
31	C9100447	HEXAGON HEAD SCREW-IS 1364 (PART 2)/ISO 4017 - M6X25-8.8	2	
32	C9100073	PUNCHED WASHER 6.6 A IS:2016-1967-STEEL	2	
33	C9100342	HEXAGON NUT-IS 1364(PART 3)/ISO 4032-M6-8	2	

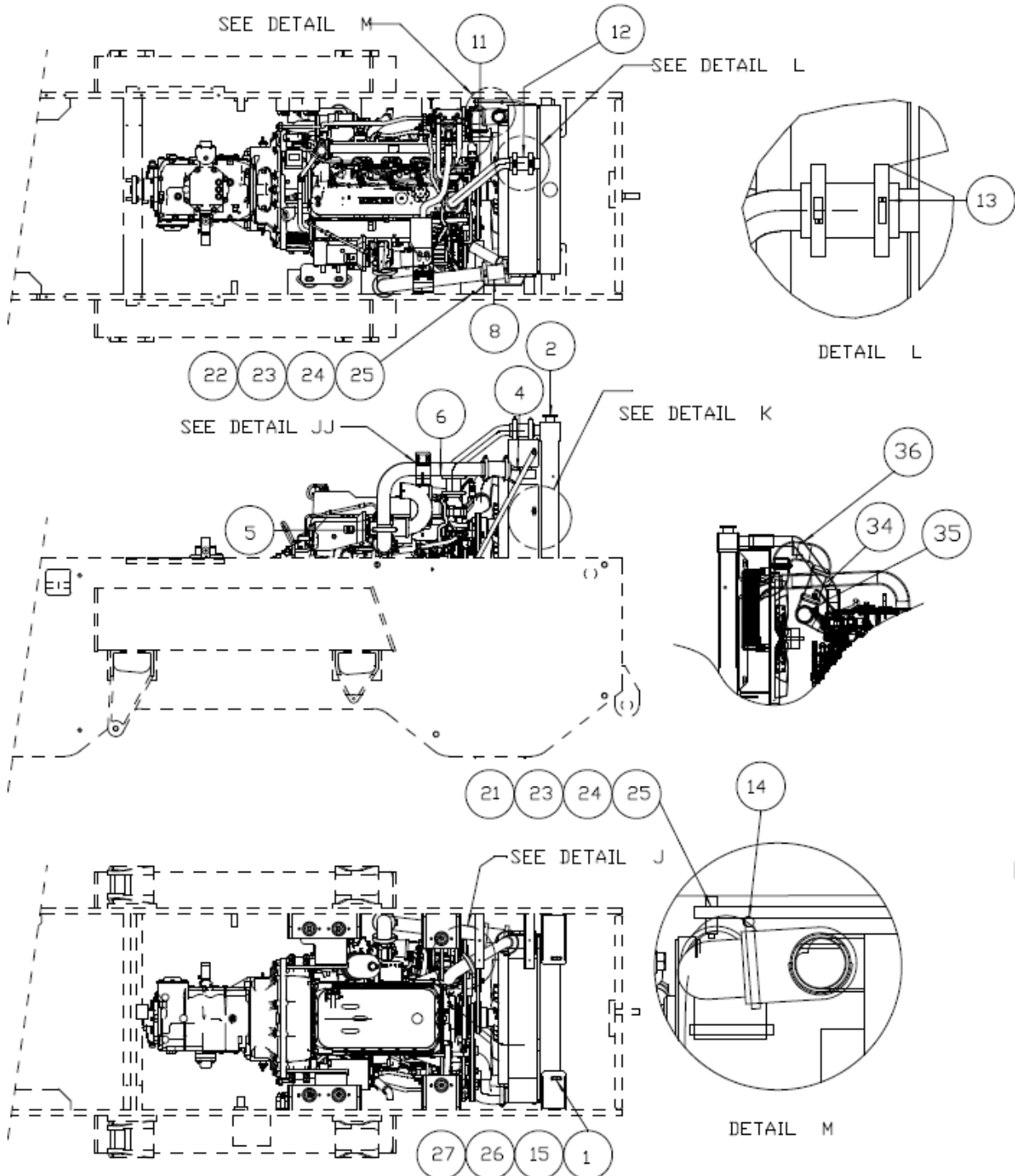
COOLING SYSTEM



F-15

STRUCTURE		COOLING SYSTEM		
S No	Part No	Description	Qty	Remarks
1	C19-C-3-015	RADIATOR MTG. PAD	6	
2	C7302377	RADIATOR ASSY.	1	
3	C7303675	COWLING	1	
4	C7301841	CHARGED AIR COOLER	1	
5	C7303677	HOSE	1	
6	C7303695	PIPE	1	
7	C7303694	OUTLET HOSE CAC	1	
8	C7303692	HOSE	1	
9	C7302903	HOSE RADIATOR LOWER	2	
10	C7302905	STEEL PIPE	1	
11	C7303693	STEEL PIPE	1	
12	C7303696	HOSE	2	
13	C9100736	HOSE CLAMP 60 IS : 4762	12	
14	C9100719	HOSE CLAMP 75 IS : 4762	2	
15	C9100062	PUNCHED WASHER 9 A IS:2016-1967-STEEL	8	
16	C9100046	SPRING LOCK WASHER A8- IS:3063 PHOSPHATE COATING	6	
17	C9100166	HEXAGON HEAD SCREW-IS 1364 (PART 2)/ISO 4017 - M8X25-8.8	6	
18	C9100059	PUNCHED WASHER 14 A IS:2016-1967-STEEL	4	
19	C9100088	SPRING LOCK WASHER A12- IS:3063 PHOSPHATE COATING	4	
20	C9100275	HEXAGON HEAD SCREW-IS 1364 (PART 2)/ISO 4017 - M12X50-8.8	4	
21	C822C2087A00	RADIATOR STAY	1	
22	C822C2088000	RADIATOR STAY	1	
23	C9100215	HEXAGON HEAD BOLT-IS 1364(PART1)/ISO 4014-M10X45-8.8	2	
24	C9100076	HEXAGON NUT-IS 1364(PART 3)/ISO 4032-M10-8	2	
25	C9100040	PUNCHED WASHER 11 A IS:2016-1967-STEEL	2	
26	C9100307	PREVAILING TORQUE TYPE NUT-M8-IS 7002-8-P	2	
27	C8V1916007000	RADIATOR MTG. CAP	4	
28	C7301825	PIPE CLAMP	1	
29	C7304206	BEND PLATE	1	
30	C9100150	SPRING LOCK WASHER A6- IS:3063	2	
31	C9100447	HEXAGON HEAD SCREW-IS 1364 (PART 2)/ISO 4017 - M6X25-8.8	2	
32	C9100073	PUNCHED WASHER 6.6 A IS:2016-1967-STEEL	2	
33	C9100342	HEXAGON NUT-IS 1364(PART 3)/ISO 4032-M6-8	2	

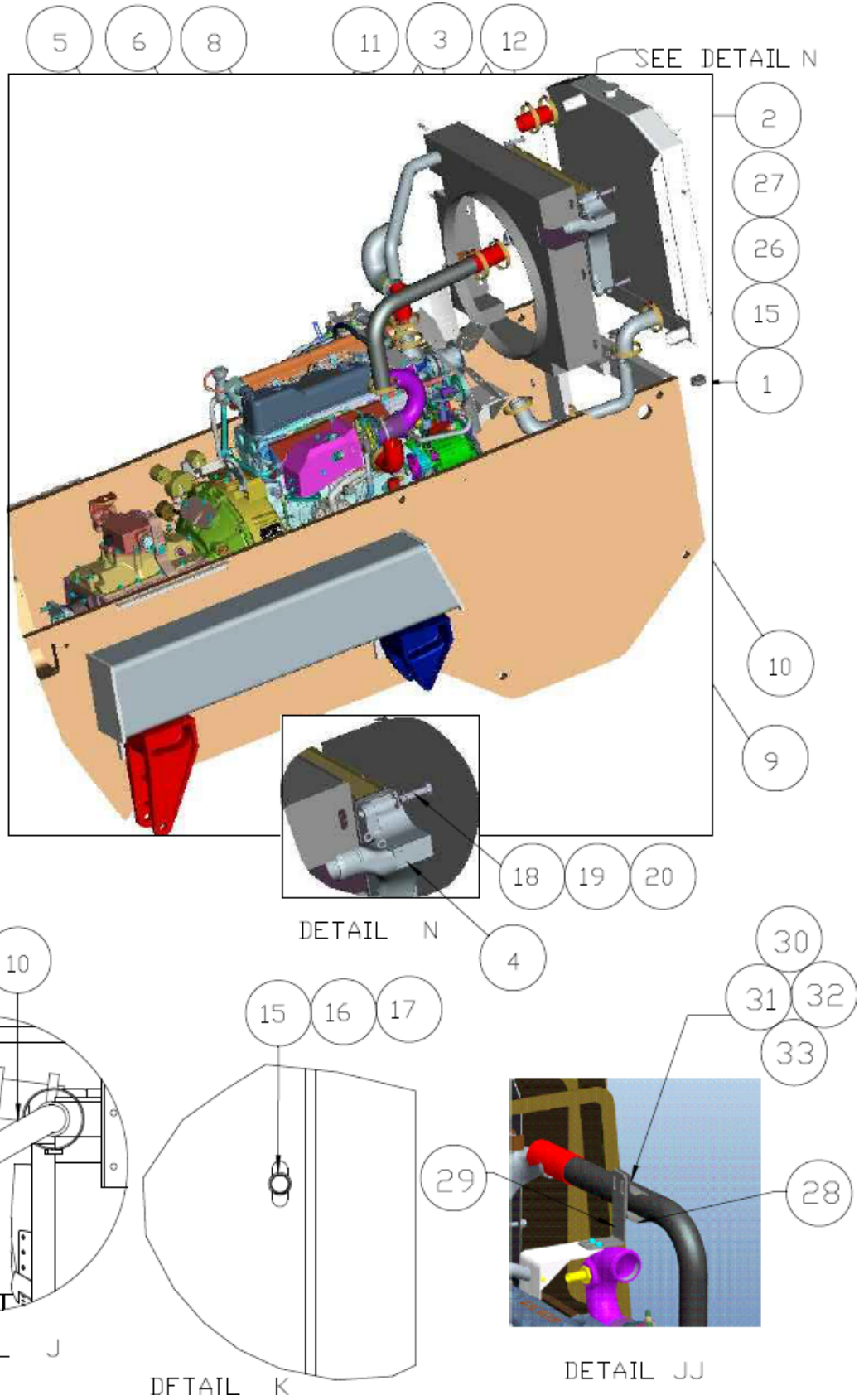
COOLING SYSTEM -C7303662



F-15

STRUCTURE		COOLING SYSTEM		
S No	Part No	Description	Qty	Remarks
1	19-C-3-015	RADIATOR MTG. PAD	6	
2	7302377	RADIATOR ASSY.	1	
3	7308093	COWLING	1	
4	7301841	CHARGED AIR COOLER	1	
5	7303677	HOSE	1	
6	7303695	PIPE	1	
8	7303692	HOSE	1	
9	7302903	HOSE RADIATOR LOWER	2	
10	7302905	STEEL PIPE	1	
11	7303693	STEEL PIPE	1	
12	7303696	HOSE	2	
13	9100736	HOSE CLAMP 60 IS : 4762	12	
14	9100719	HOSE CLAMP 75 IS : 4762	4	
15	9100062	PUNCHED WASHER 9 A IS:2016-1967-STEEL	8	
16	9100046	SPRING LOCK WASHER A8	6	
17	9100166	HEXAGON HEAD SCREW - M8X25-8.8	6	
18	9100059	PUNCHED WASHER 14 A IS:2016-1967-STEEL	4	
19	9100088	SPRING LOCK WASHER A12	4	
20	9100275	HEXAGON HEAD SCREW - M12X50-8.8	4	
21	822C2087A00	RADIATOR STAY	1	
22	822C2088000	RADIATOR STAY	1	
23	9100215	HEXAGON HEAD BOLT-M10X45-8.8	2	
24	9100076	HEXAGON NUT- M10-8	2	
25	9100040	PUNCHED WASHER 11 A IS:2016-1967-STEEL	2	
26	9100307	PREVAILING TORQUE TYPE NUT-M8-IS 7002-8-P	2	
27	8V1916007000	RADIATOR MTG. CAP	4	
28	7301825	PIPE CLAMP	1	
29	7304206	BEND PLATE	1	
30	9100150	SPRING LOCK WASHER A6	2	
31	9100447	HEXAGON HEAD SCREW - M6X25-8.8	2	
32	9100073	PUNCHED WASHER 6.6 A	2	
33	9100342	HEXAGON NUT - M6-8	2	
34	C7309071	PIPE	1	
35	C7308095	CAC HOSE OUT	1	
36	C7309070	CAC HOSE OUT	1	

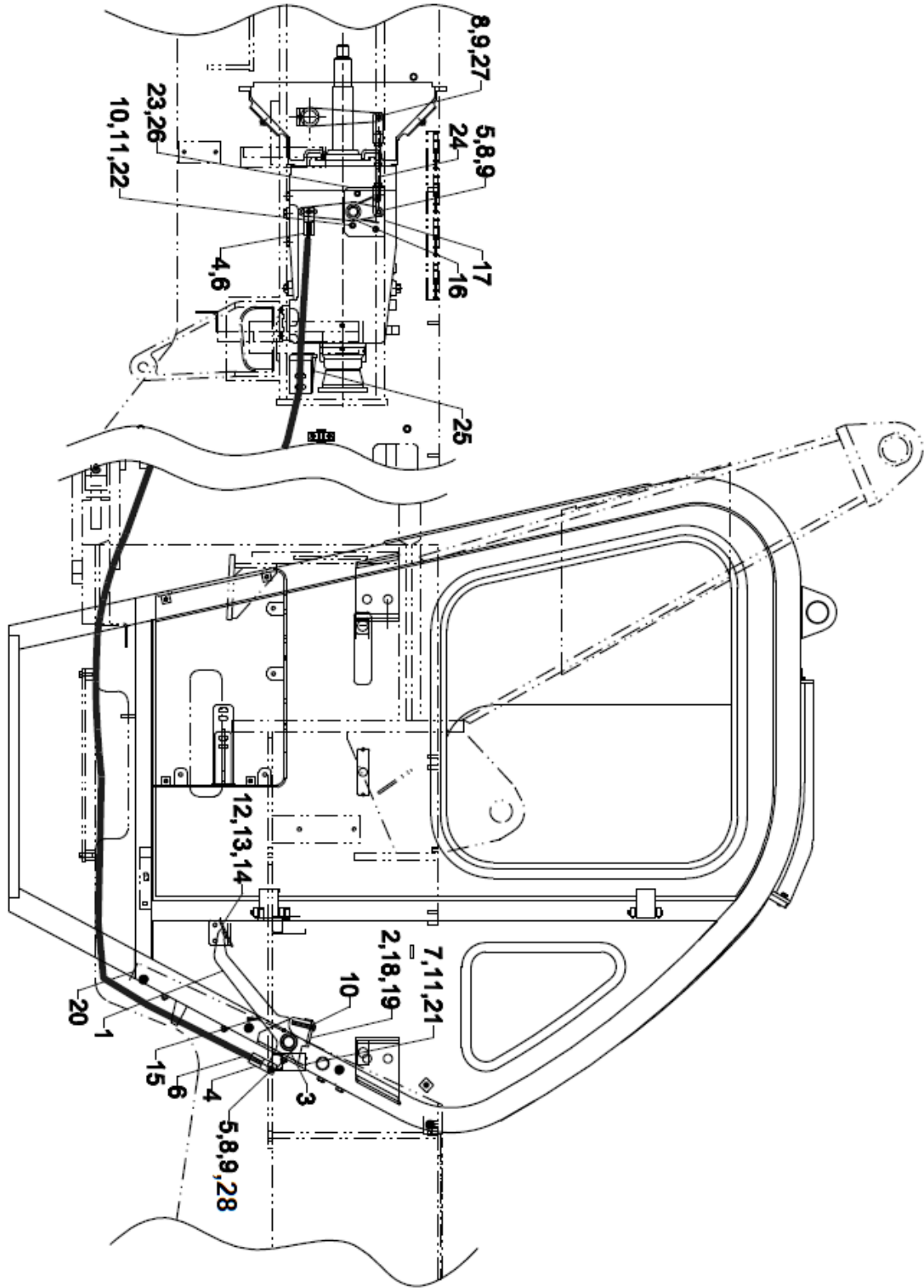
COOLING SYSTEM -C7303662



F-15

STRUCTURE		COOLING SYSTEM		
S No	Part No	Description	Qty	Remarks
1	19-C-3-015	RADIATOR MTG. PAD	6	
2	7302377	RADIATOR ASSY.	1	
3	7308093	COWLING	1	
4	7301841	CHARGED AIR COOLER	1	
5	7303677	HOSE	1	
6	7303695	PIPE	1	
8	7303692	HOSE	1	
9	7302903	HOSE RADIATOR LOWER	2	
10	7302905	STEEL PIPE	1	
11	7303693	STEEL PIPE	1	
12	7303696	HOSE	2	
13	9100736	HOSE CLAMP 60 IS : 4762	12	
14	9100719	HOSE CLAMP 75 IS : 4762	4	
15	9100062	PUNCHED WASHER 9 A IS:2016-1967-STEEL	8	
16	9100046	SPRING LOCK WASHER A8	6	
17	9100166	HEXAGON HEAD SCREW - M8X25-8.8	6	
18	9100059	PUNCHED WASHER 14 A IS:2016-1967-STEEL	4	
19	9100088	SPRING LOCK WASHER A12	4	
20	9100275	HEXAGON HEAD SCREW - M12X50-8.8	4	
21	822C2087A00	RADIATOR STAY	1	
22	822C2088000	RADIATOR STAY	1	
23	9100215	HEXAGON HEAD BOLT-M10X45-8.8	2	
24	9100076	HEXAGON NUT- M10-8	2	
25	9100040	PUNCHED WASHER 11 A IS:2016-1967-STEEL	2	
26	9100307	PREVAILING TORQUE TYPE NUT-M8-IS 7002-8-P	2	
27	8V1916007000	RADIATOR MTG. CAP	4	
28	7301825	PIPE CLAMP	1	
29	7304206	BEND PLATE	1	
30	9100150	SPRING LOCK WASHER A6	2	
31	9100447	HEXAGON HEAD SCREW - M6X25-8.8	2	
32	9100073	PUNCHED WASHER 6.6 A	2	
33	9100342	HEXAGON NUT - M6-8	2	
34	C7309071	PIPE	1	
35	C7308095	CAC HOSE OUT	1	
36	C7309070	CAC HOSE OUT	1	

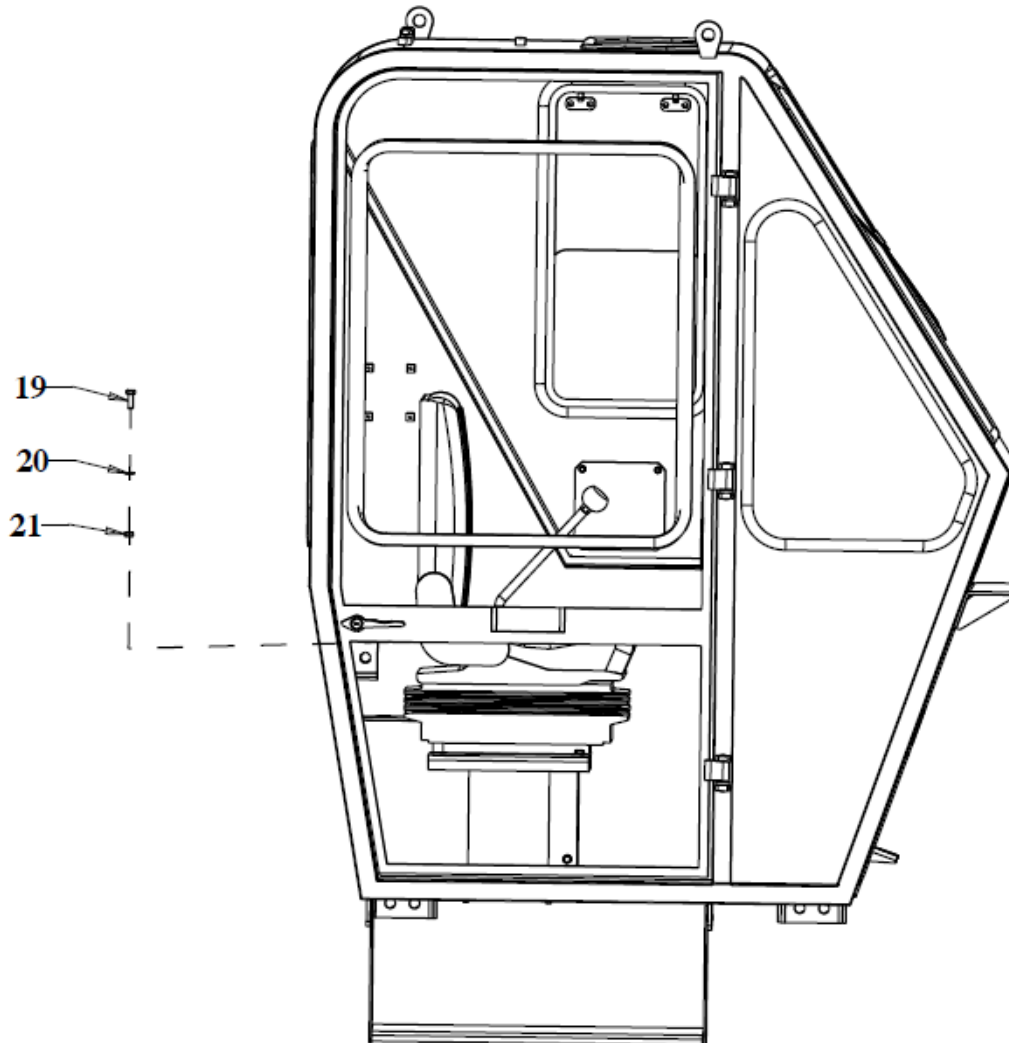
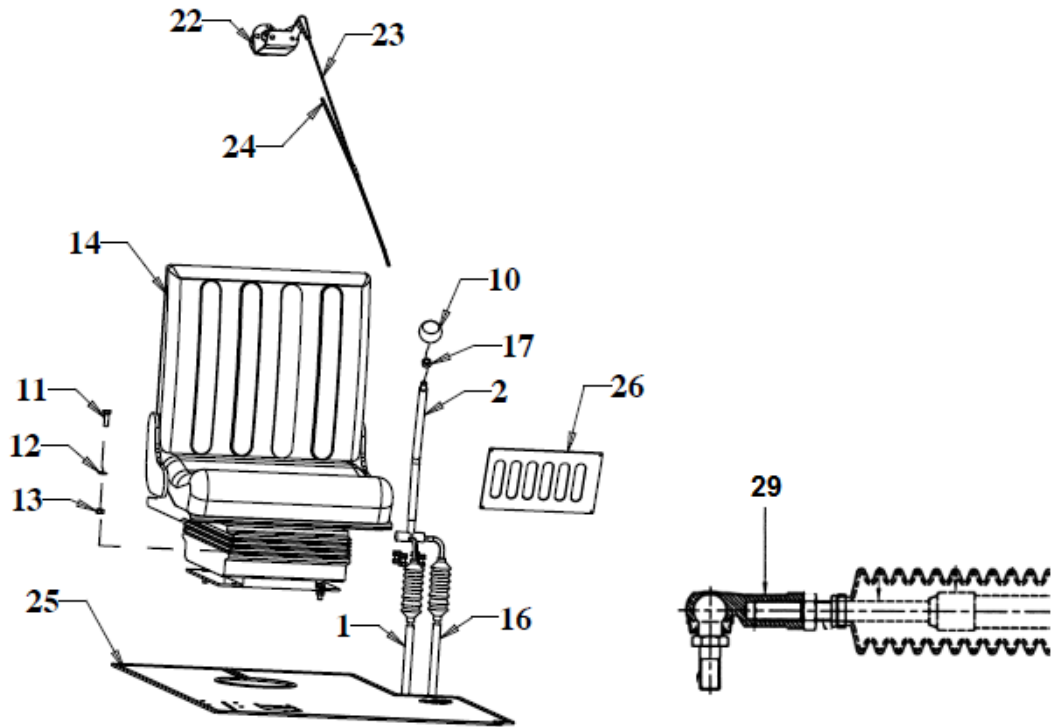
CLUTCH ARGMT



F-15

STRUCTURE		CLUTCH ARGMT		
S No	Part No	Description	Qty	Remarks
1	C7302723	CLUTCH PEDAL(For Mechanical Argmt)	1	
2	C26-C-1-196	BRACKET CLUTCH(K10)	1	
3	C22-M-1-017	PIN	1	
4	C26-M-1-018	FORK	2	
5	CV16.22.017.0	PIN	3	
6	C8INH05F2000	HEX. NUT 5/16" UNF(CLEVIS LOCK)	2	
7	C9100166	HEXAGON HEAD SCREW-IS 1364 (PART 2)/ISO 4017 - M8X25-8.8	5	
8	C80PS1600300	SPLIT PIN(1.6x30 MM)	4	
9	C9100040	PUNCHED WASHER A11 IS: 2016-STEEL	4	
10	C9100265	HEXAGON HEAD SCREW-IS 1364 (PART 2)/ISO 4017 - M8X50-8.8	5	
11	C9100046	SPRING LOCK WASHER A8-IS:3063 (PHOSPHATE COATING)	9	
12	C28-C-1-053	WASHER NYLON(CLUTCH PEDAL)	2	
13	C26-C-1-193	PEDAL TOP	1	
14	C8MSC08C2050	CSK SCREW(M8x20 8.8 CLASS)	2	
15	C8M893005000	SPRING	1	
16	C7304000	LEVER ASSY	1	
17	C7302925	CLUTCH LEVER MTG. BKT.	1	
18	C22-C-1-169	CLUTCH BKT. COVER	1	
19	C22-C-2-135	SELF TAPING SCREW(M4X10)	2	
20	C7301788	CABLE CLUTCH(EXCEL CONTROL LINKAGE)	1	
21	C9100068	HEXAGON NUT-IS1364(PART-3)/ISO4032-M8-8	5	
22	C9100312	PUNCHED WASHER 22 A IS:2016-1967-STEEL	2	
23	C8MNG1000100	NIPPLE GREASE(M10)	1	
24	C7304041	FORK ROD ASSY.	1	
25	C7302712	CLUTCH CABLE MTG BKT	1	
26	C8PP10827000	EXTERNAL CIRCLIP(DIA 20 X 1.2 THK., TYPE'A')	1	
27	C7303995	PIN	1	
28	C7308923	CLUTCH CABLE BALL JOINT	2	

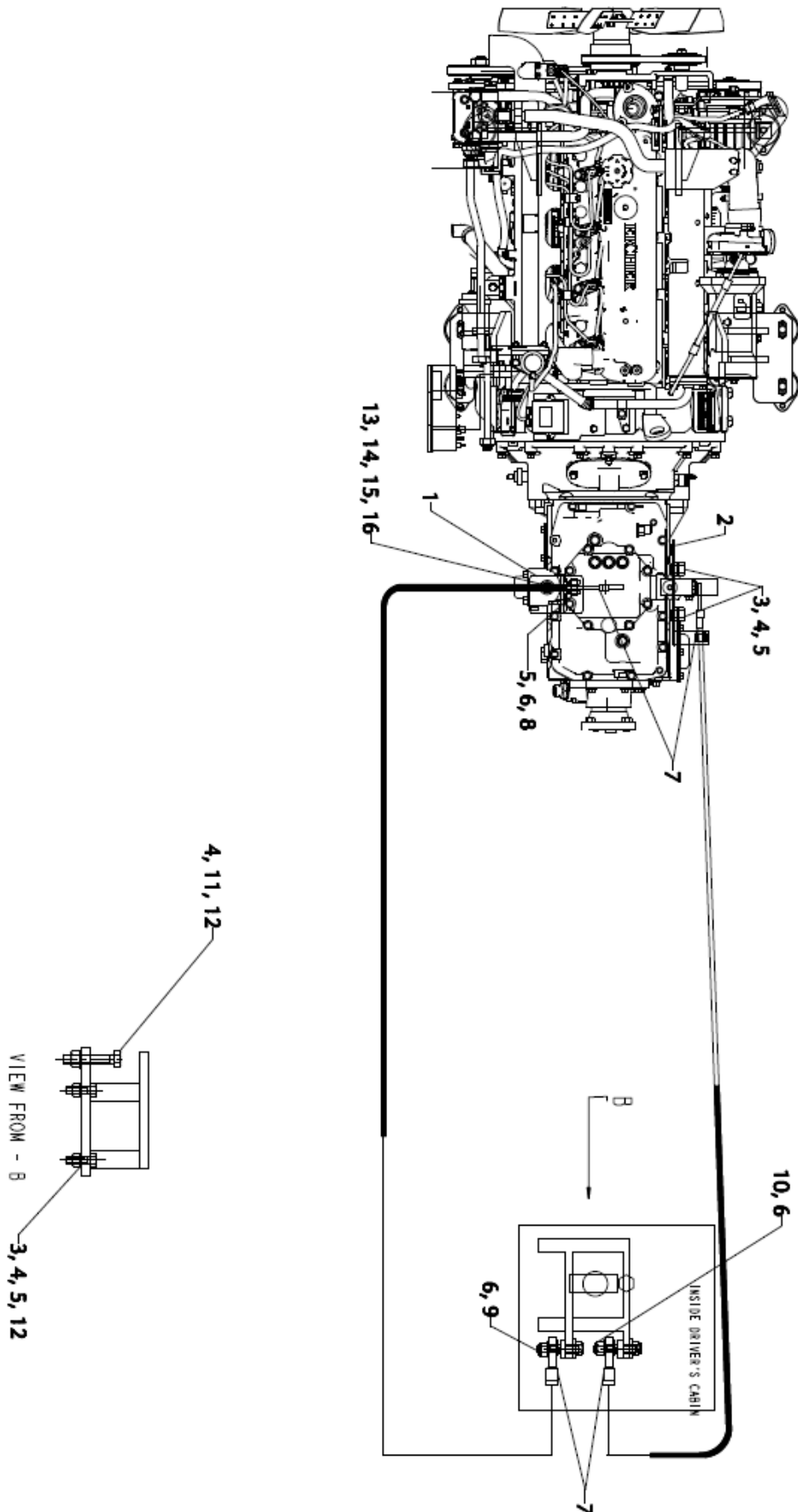
CABIN FITTING KIT



F-15

STRUCTURE		CABIN FITTING KIT		
S No	Part No	Description	Qty	Remarks
1	C7304715	GEAR SELECT CABLE	1	
2	C7304307	GEAR SHIFT LEVER	1	
10	C826C1075000	KNOB GEAR SHIFT	1	
11	C9100266	HEXAGON HEAD SCREW IS 1364 (PART2) - ISO 4017-M10X20-8.	7	
12	C9100044	SPRING LOCK WASHER A10-IS:3063 (PHOSPHATE COATING)	7	
13	C9100076	HEXAGON NUT-IS 1364(PART 3)/ISO 4032- M10-8	9	
14	C8X2214009A0	DRIVER SEAT	1	
15	C7308065	REAR VIEW MIRROR	1	
16	C7304714	GEAR SHIFT CABLE	1	
17	C9100081	HEXAGON NUT-IS 1364(PART 3)/ISO 4032- M12-8	1	
19	C9100179	HEXAGON HEAD SCREW IS 1364 (PART2) - ISO 4017-M6X40-8.8	4	
20	C9100150	SPRING LOCK WASHER A6- IS:3063 PHOSPHATE COATING	4	
21	C9100342	HEXAGON NUT-IS 1364(PART 3)/ISO 4032- M6-8	4	
22	C8PP11279000	WIPER MOTOR	1	
23	C8PP11881000	WIPER ARM	1	
24	C8PP11882000	WIPER BLADE	1	
25	C822C1131B00	FLOOR MAT	1	
26	C822C1146A00	DISTRIBUTOR PLATE	1	
28	22-P-05-76	REAR VIEW MIRROR MTG. BKT.	1	
29	C7308923	BALL JOINT M10	4	

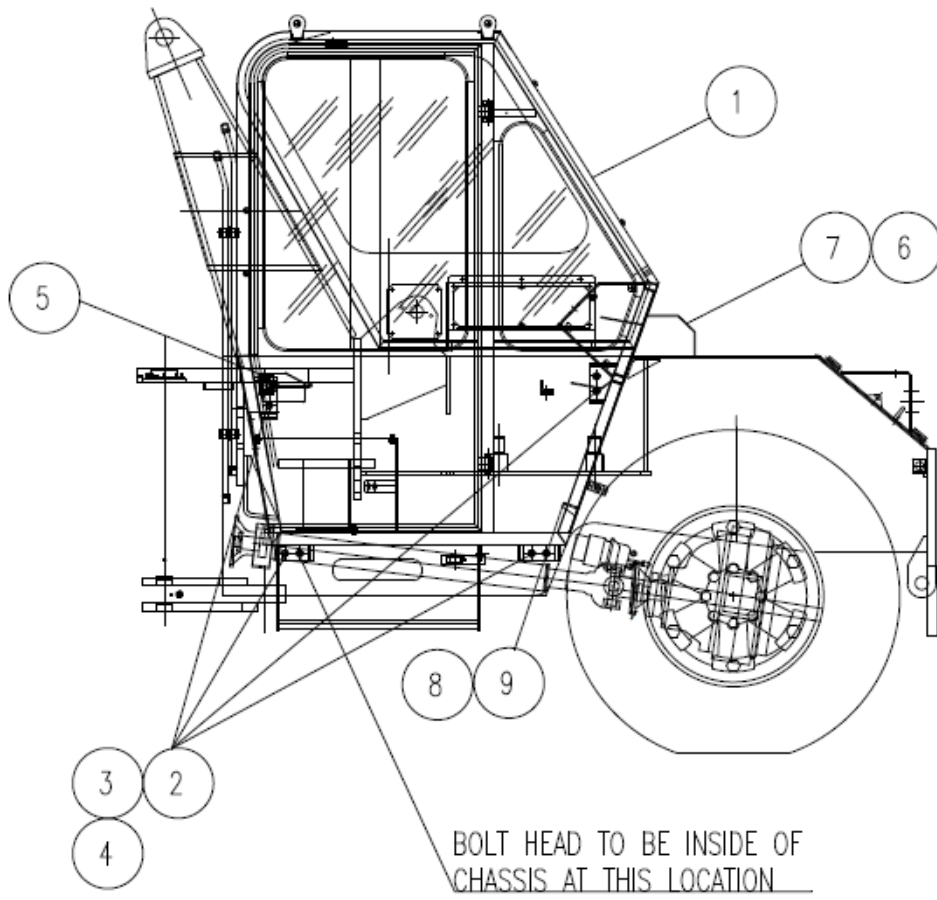
GEAR SHIFTING ARRANGEMENT (VECV)



F-15

STRUCTURE		GEAR SHIFTING ARRANGEMENT (VECV)		
S No	Part No	Description	Qty	Remarks
1	7302923	GEAR SHIFT BRACKET	1	
2	7303801	GEAR SHIFT BRACKET	1	
3	9100166	HEXAGON HEAD SCREW-IS 1364 (PART 2)/ ISO 4017 - M8X25-8.8	5	
4	9100046	SPRING LOCK WASHER A8-IS:3063 PHOSPHATE COATING	6	M8
5	9100062	PUNCHED WASHER 9 A IS:2016-1967-STEEL	10	M8
6	9100307	PREVAILING TORQUE TYPE NUT-M8-IS 7002-8-P	8	
7	8PP10255000	BEARING ROD END	4	
8	26-C-2-076	CLAMP	2	
9	22-C-2-076	ADAPTER	3	
10	22-C-2-077	ADAPTER	1	
11	9100110	HEXAGON HEAD BOLT-IS 1364(PART1)/ ISO 4014 -M8X50-8.8	1	
12	9100068	HEXAGON NUT-IS 1364(PART 3)/ISO 4032- M8-8	5	
13	9100076	HEXAGON NUT-IS 1364(PART 3)/ISO 4032- M10-8	4	
14	9100269	HEXAGON HEAD SCREW-IS 1364 (PART 2)/ ISO 4017 - M10X30-8.8	1	
15	9100044	SPRING LOCK WASHER A10-IS:3063 PHOSPHATE COATING	1	M10
16	9100040	PUNCHED WASHER 11 A IS:2016-1967-STEEL	1	M10

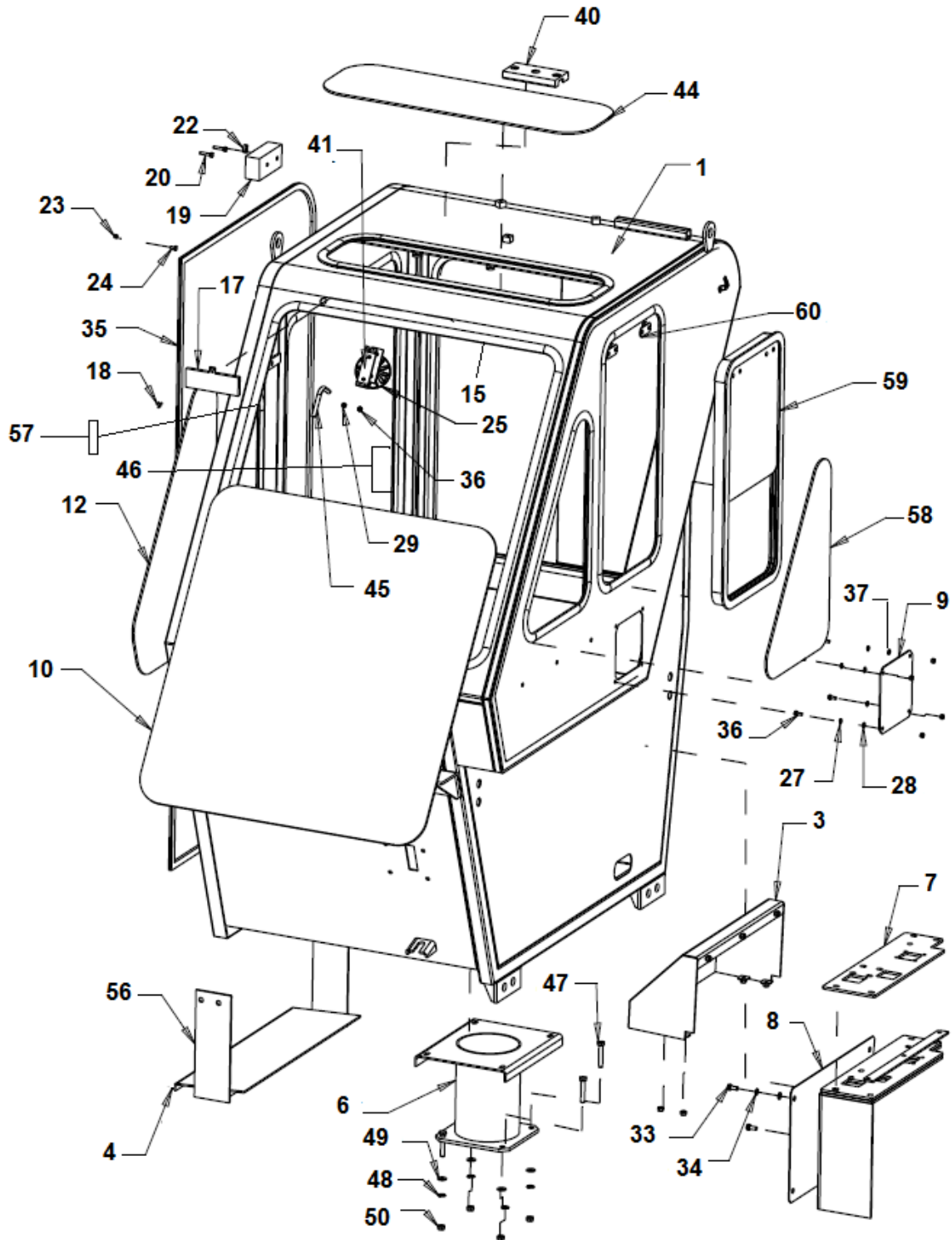
CABIN INSTALLATION ASSY- 7312242



F-15

STRUCTURE		CABIN INST. ASSY – 7312242		
S No	Part No	Description	Qty	Remarks
1	C7308111	CABIN ASSEMBLY	1	
2	C9100251	HEXAGON HEAD BOLT-M20X65-8.8	8	
3	C9100079	PUNCHED WASHER A20 IS: 2016-STEEL	8	
4	C9100109	PREVAILING TORQUE TYPE NUT M20-IS:7002-8-P	8	
5	C9100746	HEXAGON HEAD SCREW- M24X160X-12.9	8	
6	C9100073	PLAIN WASHER A6 IS2016 STEEL	8	
7	C7312226	COVER DISTRIBUTOR	1	
8	C8PP10965000	FEMALE ROD END-PIF 5/16 (MAYFIELD)	1	

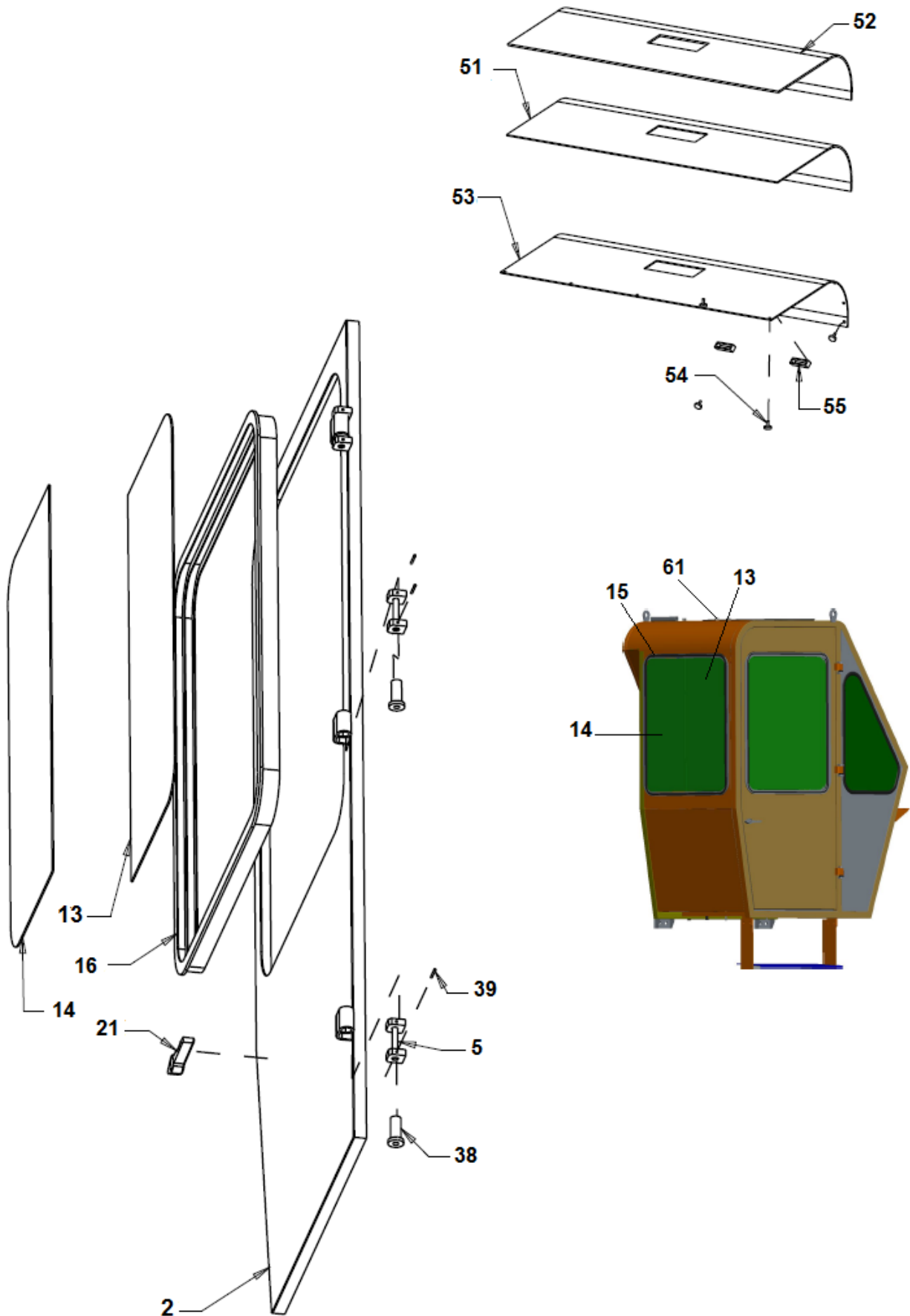
CABIN ASSY-7308111



F-15

STRUCTURE		CABIN ASSY		
S No	Part No	Description	Qty	Remarks
1	C7308082	CAB FABRICATION	1	
3	C7305907	DASHBOARD FAB.ASSY	1	
4	22-F-1-056	FOOT STEP WELD ASSY	1	
6	22-F-1-057	SEAT MTG.BKT.	1	
7	7301878	MOUNTING PLATE	1	
8	22-P-02-04	SIDE COVER	1	
9	22-C-1-118	COVER(PIN WINDOW)	1	
10	822C1222000	FRONT GLASS	1	
12	822C1224000	SIDE GLASS	1	
15	V16.69.088.0	GLASS BEADING	A/R	
17	8PP11279000	REAR VIEW MIRROR	1	
18	8PP11432000	SELF TAPPING SCREW	3	
19	V16.69.214.0	LOCK COVER	1	
20	9100448	HEXAGON HEAD SCREW	2	
22	V16.69.004	LOCK ASSY(R.H.)	1	
23	9100340	HEXAGON NUT-IS 1364(PART 3)/ISO 4032- M4-8	1	
24	9100124	HEXAGON HEAD SCREW	2	
25	V18.52.002.0A	CABIN FAN	1	
26	9100124	HEXAGON HEAD SCREW	2	
27	9100150	SPRING LOCK WASHER A6- IS:3063	2	
28	9100073	PLAIN WASHER A6 IS: 2016 STEEL	2	
29	9100342	HEXAGON NUT-IS 1364(PART 3)/ISO 4032- M6-8	2	
33	9100052	HEXAGON HEAD SCREW	19	
34	9100046	SPRING LOCK WASHER A8-IS:3063	19	
35	V16.69.009.0	DOOR BEADING	A/R	
36	9100445	HEXAGON HEAD SCREW	4	
37	9100150	SPRING LOCK WASHER A6- IS:3063	4	
40	26-F-1-027	CAB LIGHT BKT.	1	
41	26-C-1-125	FAN MTG.BKT.	1	
42	22-C-1-157	SLI UNIT MTG.-1	1	
43	22-C-1-156	SLI UNIT MTG.-2	1	
44	822C1229000	TOP GLASS	1	
45	C7312343	WIRING HARNESS CAB.	1	
46	22-C-1-102	SIDE HANDLE	1	
47	9100184	HEXAGON HEAD SCREW	4	
48	9100044	SPRING LOCK WASHER A10-IS:3063	4	
49	9100040	PUNCHED WASHER A11 IS: 2016-STEEL	4	
50	9100262	HEXAGON NUT-IS 1364(PART 3)/ISO 4032- LH	4	
56	22-P-03-63	REAR COVER	1	
57	22-C-1-171	MIRROR MTG.PAD	2	
58	C7305900	TRIANGULAR GLASS	1	
59	C7305898	SIDE GLASS ASSY LH	1	
60	C7306502	GLASS LOCKING	2	

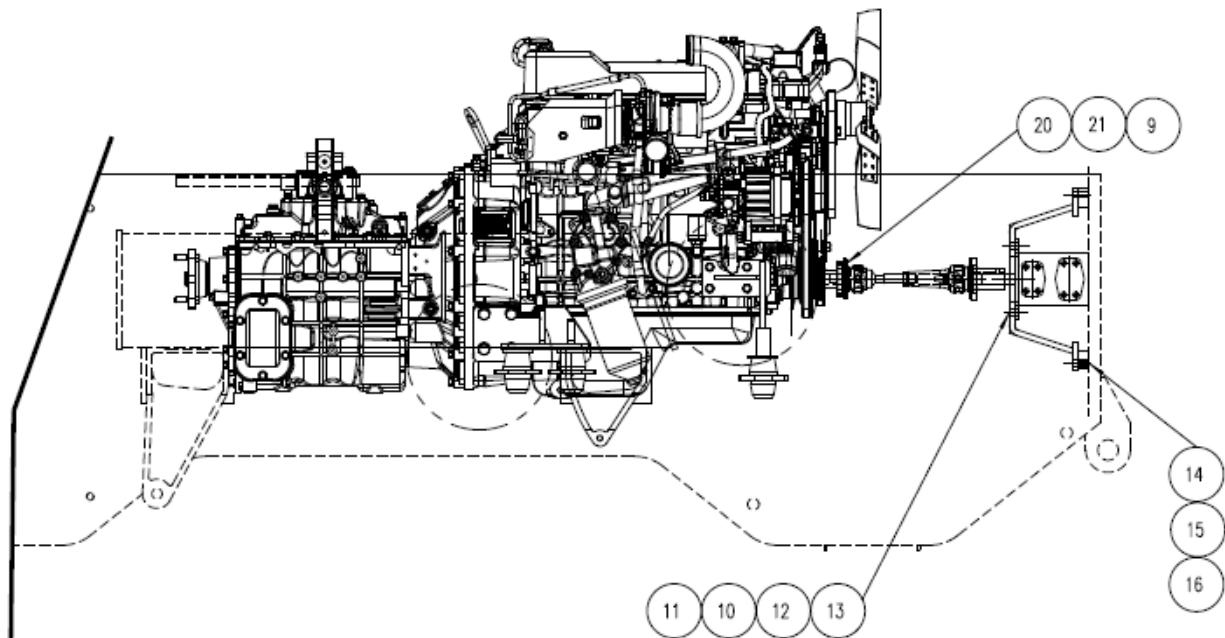
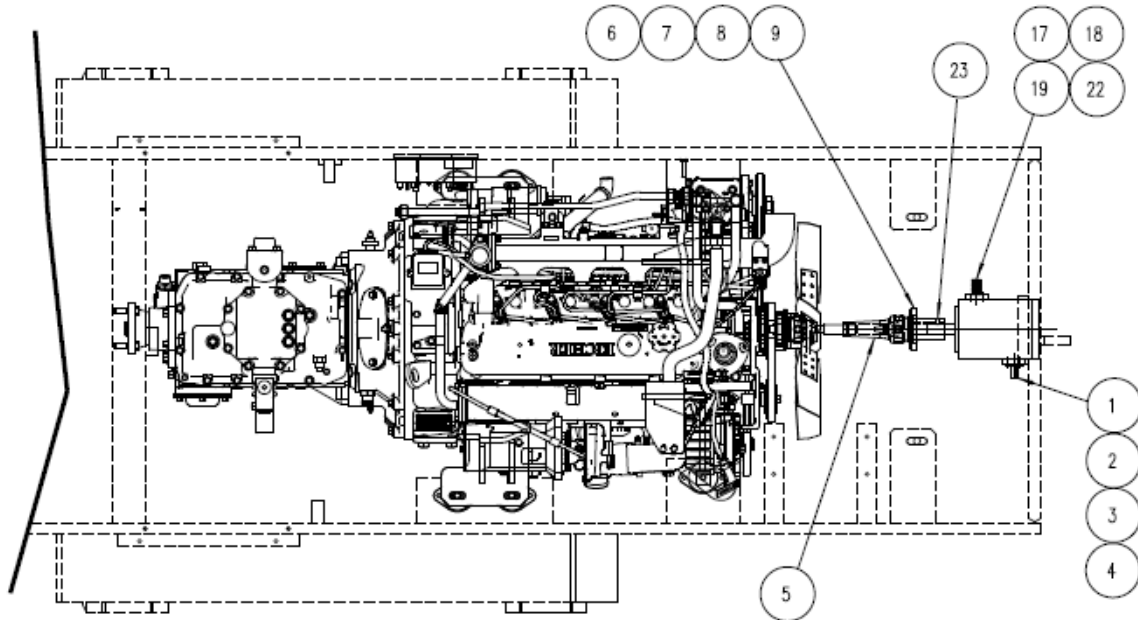
CABIN ASSY-7308111



F-15

STRUCTURE		CABIN ASSY		
S No	Part No	Description	Qty	Remarks
2	22-F-1-051	DOOR FAB.ASSY	1	
5	22-M-1-018	HINGE PIN	3	
13	822C1225000	DOOR SLIDING GLASS	2	
14	822C1226000	DOOR FIXED GLASS	2	
15	V16.69.088.0	GLASS BEADING	A/R	
16	822C1227000	DOOR ALLUMINIUM CHANNEL	2	
21	V16 69 002.0	LOCK HANDLE(R.H.)	1	
38	47-C-1-012	NYLON BUSH	3	
39	822C1228000	SPRING DOWEL SLEEVE LIGHT	6	
51	822C1230000	FIBER SHEET	1	
52	822C1231000	SPONGE	1	
53	822C1232000	REXINE (CLOTH)	A/R	
54	822C1233000	FIBER RIVET(GRAY)	16	
55	822C1234000	BKT.FOR RIVET	A/R	
61	C7311397	LED CABIN LIGHT	1	

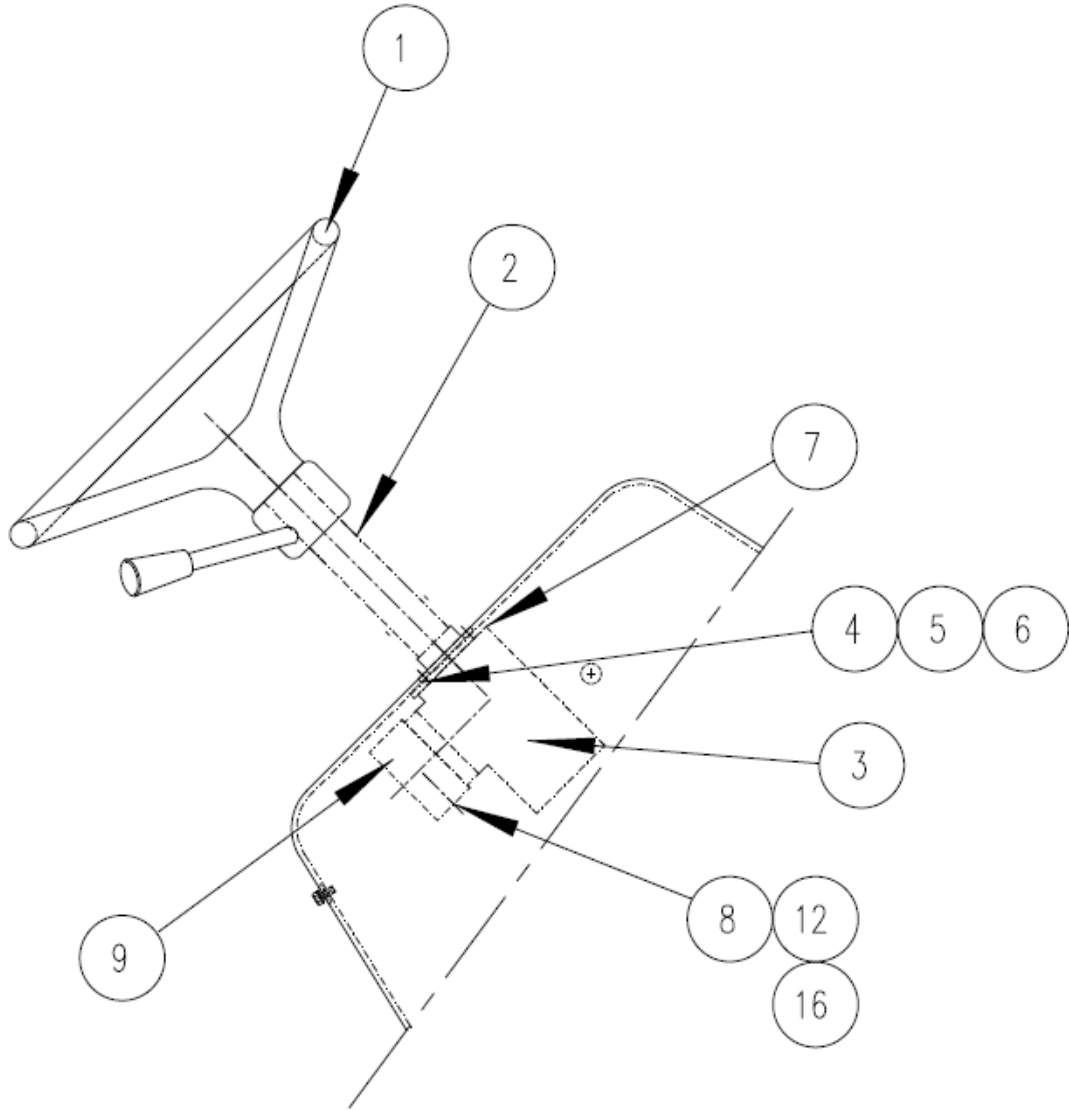
FRONT PUMP INST. – 7310054



F-15

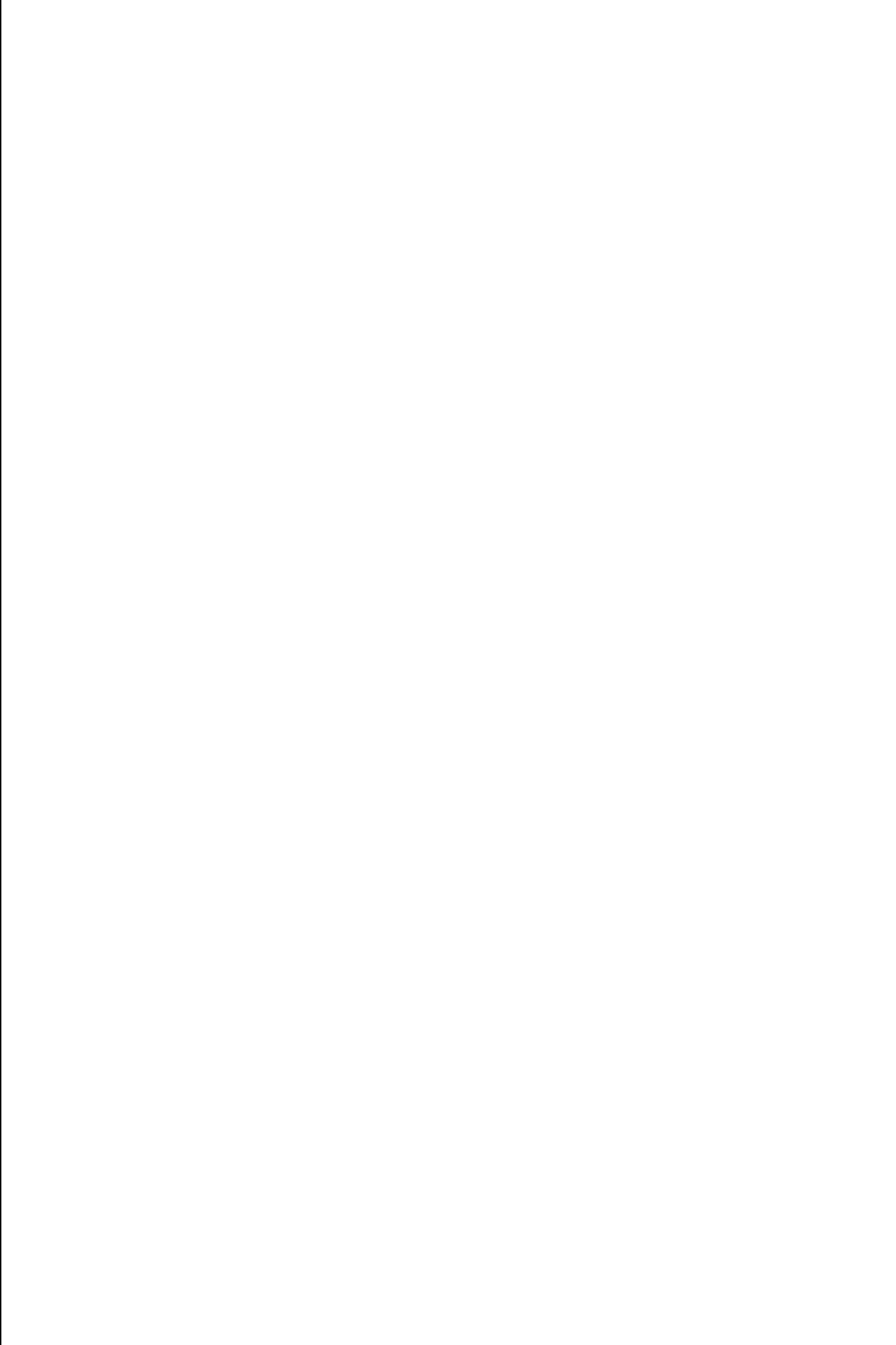
STRUCTURE		FRONT PUMP INST. – 7310054		
S No	Part No	Description	Qty	Remarks
1	C822C2032A00	FLANGE- SUCTION ASSY	1	
2	C9100325	HEXAGON SOCKET HEAD CAP SCREW-M12X35-12.9	4	
3	C8V184503000	'O' RING PUMP INLET	1	
4	C8PP11293000	"MINIMAX COUPLING 1/4""BSP"	1	
5	C7303794	PROPELLER SHAFT (PUMP)	1	
6	C7302938	ADOPTER PUMP	1	
7	C9100171	HEXAGON HEAD SCREW -M8X35-8.8	4	
8	C9100068	HEXAGON NUT -IS 1364 (PART-3)ISO 4032-M8-8	4	
9	C9100046	SPRING LOCK WASHER A8	8	
10	C9100185	HEXAGON HEAD SCREW -M12X35-8.8	4	
11	C9100081	HEXAGON NUT -IS 1364 (PART-3)/ISO 4032-M12-8	4	
12	C9100088	SPRING LOCK WASHER A12	4	
13	C822F2044A00	PUMP MTG. BKT	1	
14	C9100279	HEXAGON HEAD SCREW -M14X40-8.8	4	
15	C9100158	SPRING LOCK WASHER A14	4	
16	C9100059	PUNCHED WASHER A14 IS:2016-STEEL	4	
17	C8V194510920	FLANGE PUMP OUTLET	1	
18	C8V184500600	O-RING (PUMP OUTLET)	1	
19	C7206463	PUMP HYDRAULIC	1	
20	C9100318	HEXAGON SOCKET HEAD CAP SCREW -M8X25-12.9	4	
21	C9100062	PUNCHED WASHER A9 IS:2016-STEEL	8	
22	C9100190	HEXAGON SOCKET HEAD CAP SCREW -M10X35-12.9	4	
23	C9100440	SCREW GRUB-M8X1612.9G	1	

ORBITROL ASSY.- 7309692



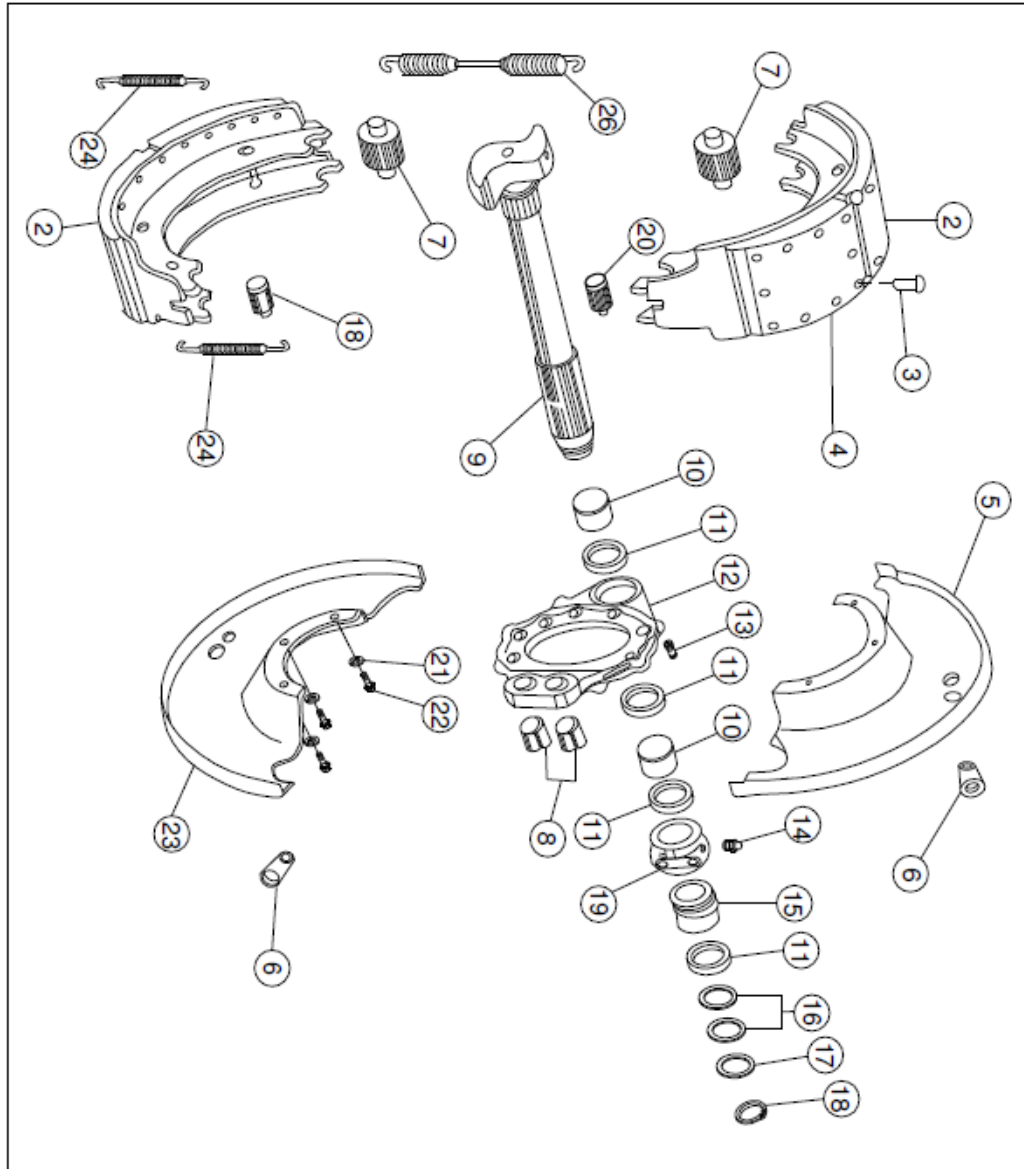
F-15

STRUCTURE		ORBITROL ASSY.- 7309692		
S No	Part No	Description	Qty	Remarks
1	C9101425	"STEERING WHEEL 16"-7/8x36h	1	
2	8PP11745000	STEERING COLOUMN (MODEL-OTBP-150)	1	
3	C7310075	STEERING UNIT-OSPB-315LS 0N(150)	1	
4	C9100153	HEXAGON SOCKET HEAD CAP SCREW -IS:2269-	4	
5	C9100040	PUNCHED WASHER A11 IS: 2016-STEEL	4	
6	C9100044	SPRING LOCK WASHER A10-IS:3063 (PHOSPHATE	4	
7	826P20140-0	SPACER STEERING COLUMN	1	
9	8PP10264000	ADOPTER 7/8" JIC M x 3/4" UNO M	4	
12	8PP100620000	ELBOW - 7/16" MJIC x 7/16" M UNO	1	
16	8PP102650000	ELBOW 7/8" JIC M x 7/8" JIC F SWIVEL 45 DEG.	4	



BRAKES

REAR WHEEL - "S" CAM BRAKE

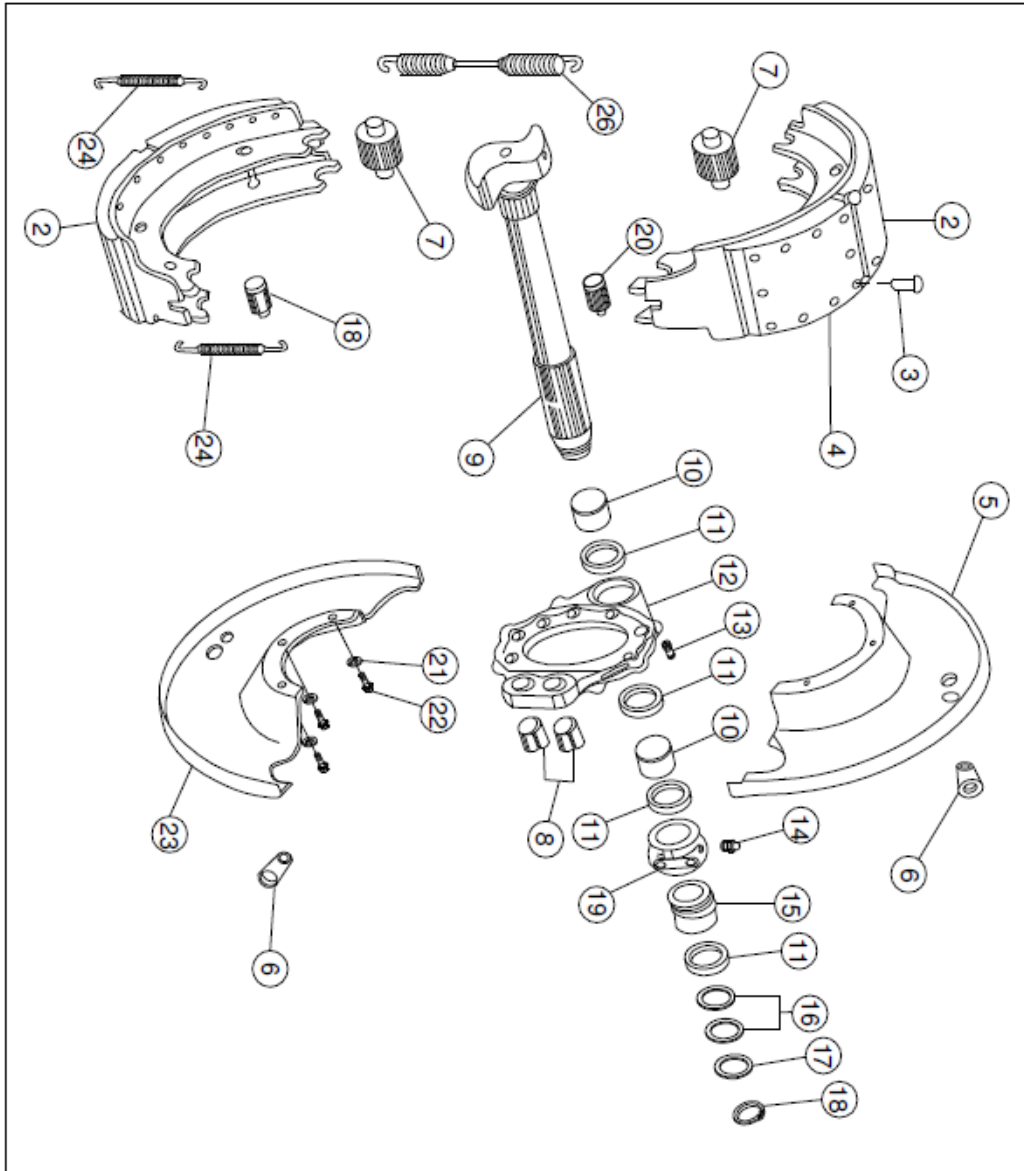


- 1
- 25
- 27
- | | | | | |
|----|----|----|----|----|
| 10 | 11 | 12 | 8 | 13 |
| 10 | 11 | 16 | 17 | 18 |
| 8 | 24 | 26 | 13 | 14 |

F-15

BRAKES		REAR WHEEL - "S" CAM BRAKE		
S NO	PART NO	DESCRIPTION	QTY	REMARKS
1	C7303700.082	BRAKE ASSY. RR. LH 410X180(TVS AF 235)	1	
1A	C7303700.083	BRAKE ASSY. RR. RH 410X180(TVS AF 235)	1	
2	C7303700.088	LINED SHOE ASSY	2	
3	C7303700.045	RIVET	40	
4	C7303700.069	KIT-LINING SET (STANDARD)	1	
4A	C7303700.070	KIT-LINING SET (1 MM OS)	1	
4B	C7303700.071	KIT-LINING SET(2 MM OS)	1	
5	C7303700.094	DUST SHIELD ASSY-TOP	1	
6	C7303700.054	GROMMET	2	
7	C7303700.084	ROLLER	2	
8	C7303700.056	FULCRUM PIN	2	
9	C7303700.085	CAM SHAFT-LH	1	
9A	C7303700.086	CAM SHAFT-RH	1	
10	C7303700.089	BUSH (METAL)	2	
11	C7303700.090	OIL SEAL	4	
12	C7303700.087	TORQE PLATE	1	
13	C7303700.097	GREASE NIPPLE TORQUE PLATE	1	
14	C7303700.096	GREASE NIPPLE	1	
15	C7303700.053	SLEEVE(SLACK ADJUSTER)	1	
16	C7303700.049	SHIM (0.3 MM)	1	
16A	C7303700.050	SHIM (0.5 MM)	1	
16B	C7303700.051	SHIM (1 MM)	2	
17	C7303700.052	WASHER	1	
18	C7303700.048	CIRCLIP	1	
19	C7303700.093	CAMSHAFT BRACKET	1	
20	C7303700.057	FULCRUM PIN BUSH	2	
21	C7303700.042	WASHER	6	
22	C7303700.043	BOLT	6	
23	C7303700.095	DUST SHIELD ASSY-BOTTOM	1	
24	C7303700.055	SHOE RETURN SPRING	2	
25	C7303700.091	KIT TORQUE PLATE ASSY	1	
25A	C7303700.089	BUSH (METAL)	2	
25B	C7303700.087	TORQE PLATE	1	
25C	C7303700.057	FULCRUM PIN BUSH	2	
25D	C7303700.097	GREASE, NIPPLE TORQUE PLATE	1	
26	C7303700.058	SPRING PULL-OFF:CAM END	1	
27	C7303700.092	KIT BUSH	1	
27A	C7303700.089	BUSH (METAL)	2	
27B	C7303700.090	OIL SEAL	4	
27C	C7303700.049	SHIM (0.3 MM)	1	
27D	C7303700.050	SHIM (0.5 MM)	1	
27E	C7303700.051	SHIM (1 MM)	2	
27F	C7303700.052	WASHER	1	
27G	C7303700.048	CIRCLIP	1	
27H	C7303700.057	FULCRUM PIN BUSH	2	

REAR WHEEL - "S" CAM BRAKE

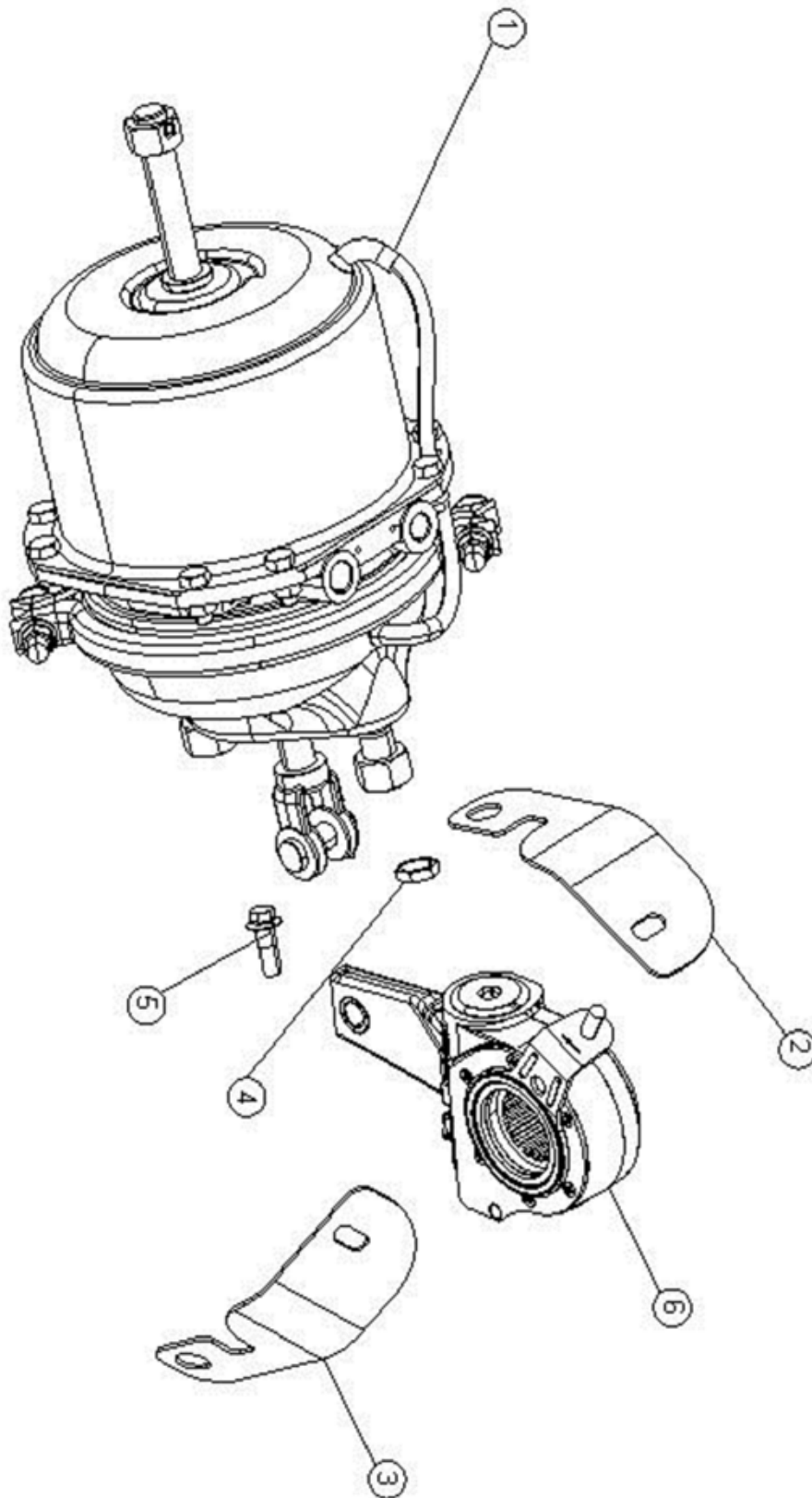


- 1
 - 25
 - 27
- | | | | | | | | | | |
|----|----|----|----|----|---|----|----|----|----|
| 10 | 11 | 12 | 8 | 13 | | | | | |
| 10 | 11 | 16 | 17 | 18 | 8 | 24 | 26 | 13 | 14 |

F-15

BRAKES		REAR WHEEL - "S" CAM BRAKE		
S NO	PART NO	DESCRIPTION	QTY	REMARKS
27I	C7303700.055	SHOE RETURN SPRING	2	
27J	C7303700.058	SPRING PULL-OFF:CAM END	1	
27K		GREASE NIPPLE	1	
27L		GREASE, NIPPLE TORQUE PLATE	1	

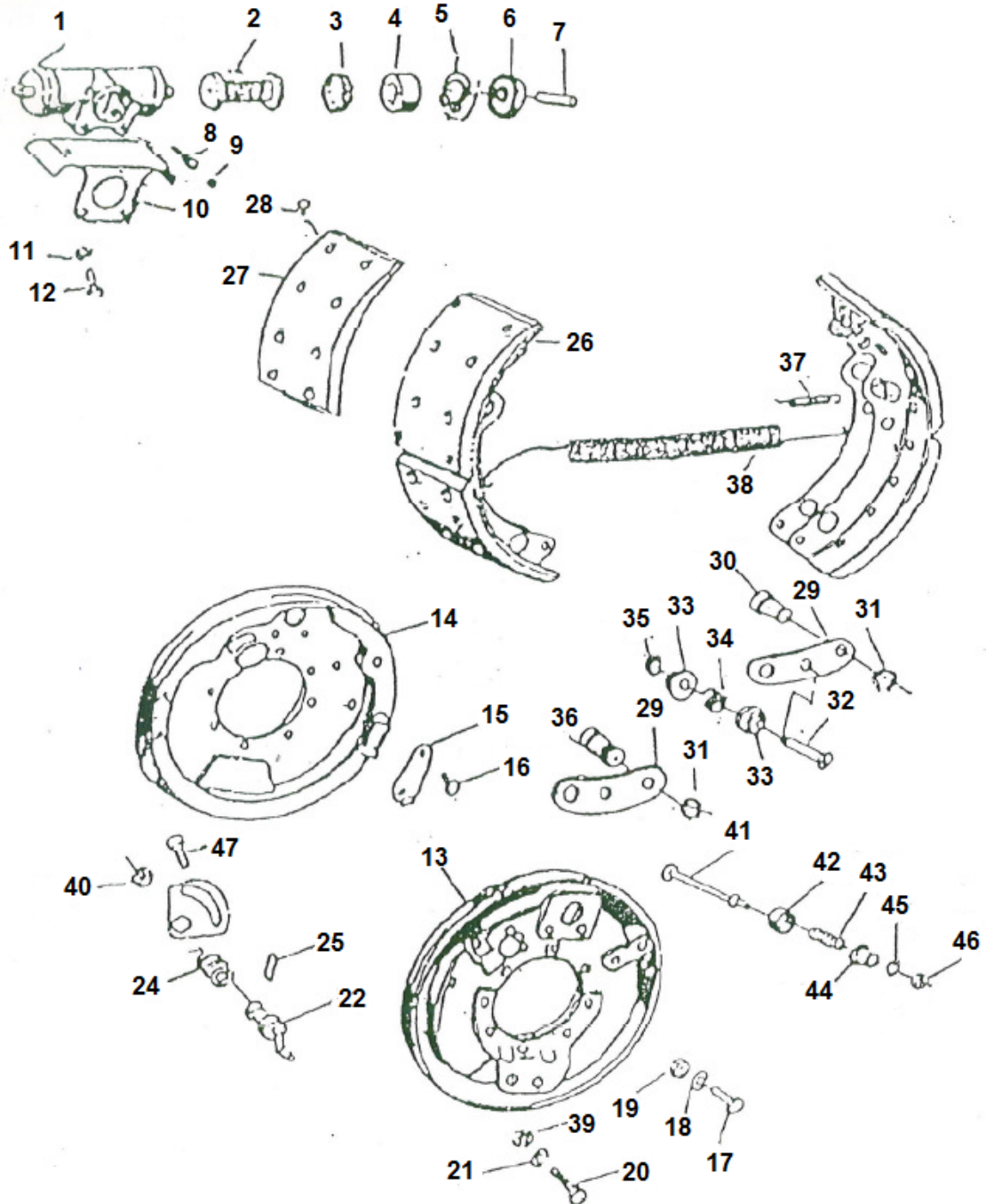
BRAKE ACTUATOR AND BRAKE SLACK ADJUSTER



F-15

BRAKES		BRAKE ACTUATOR AND BRAKE SLACK ADJUSTER		
S NO	PART NO	DESCRIPTION	QTY	REMARKS
1	C7303700.062	SP BRAKE ACTUATOR 24/24 LH/RH	2	
2	C7303700.076	BKT. CTRL ARM MTG.	1	
3	C7303700.075	BKT. CTRL ARM MTG.	1	
4	C7303819E.345	NUT FL. M10X1.25	1	
5	C7303700.103	SCREW M10	2	
6	C7303700.064	AUOT SLACK ADJUSTER	2	

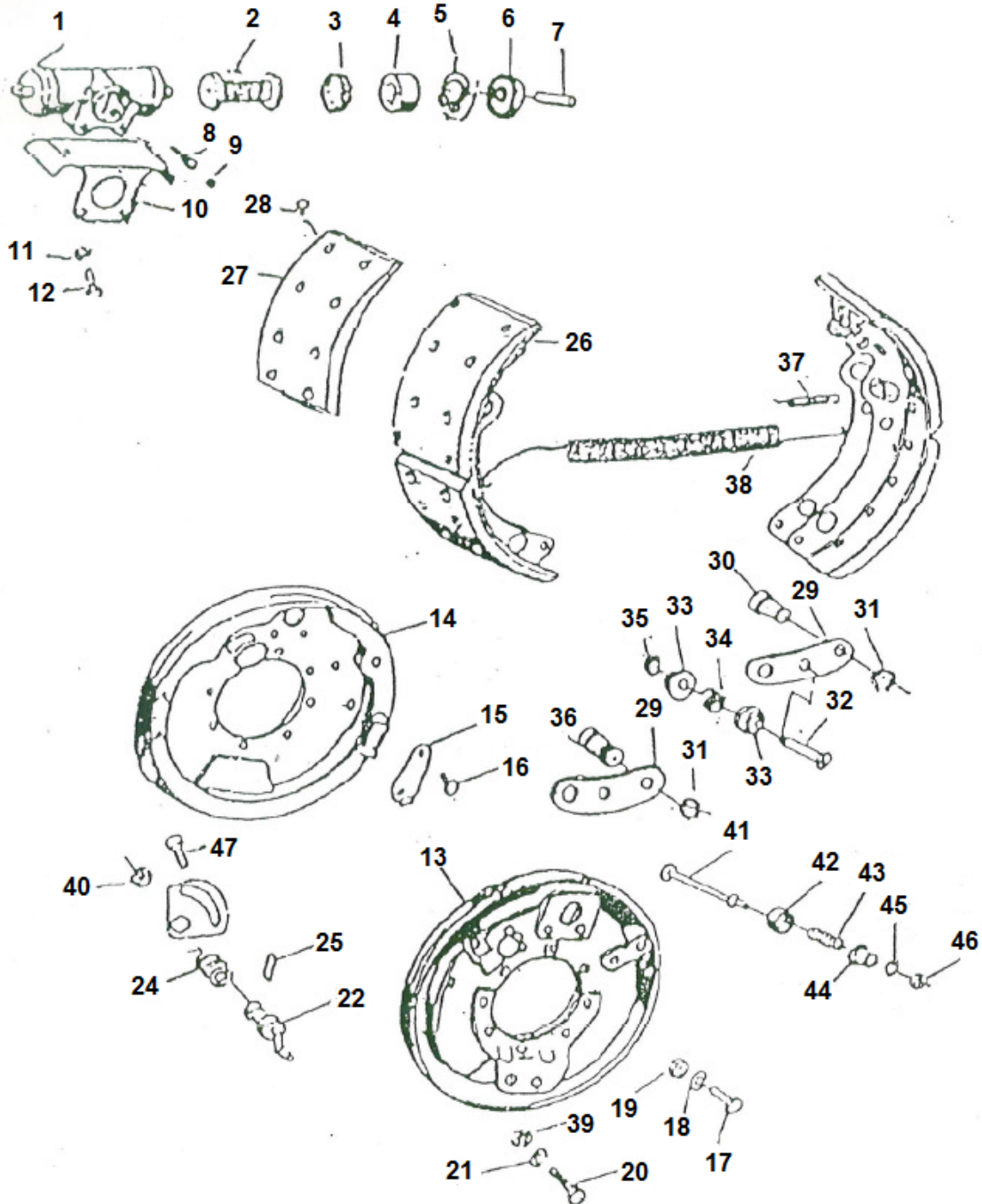
FRONT WHEEL BRAKE ASSY- 2WD SHEET -1



F-15

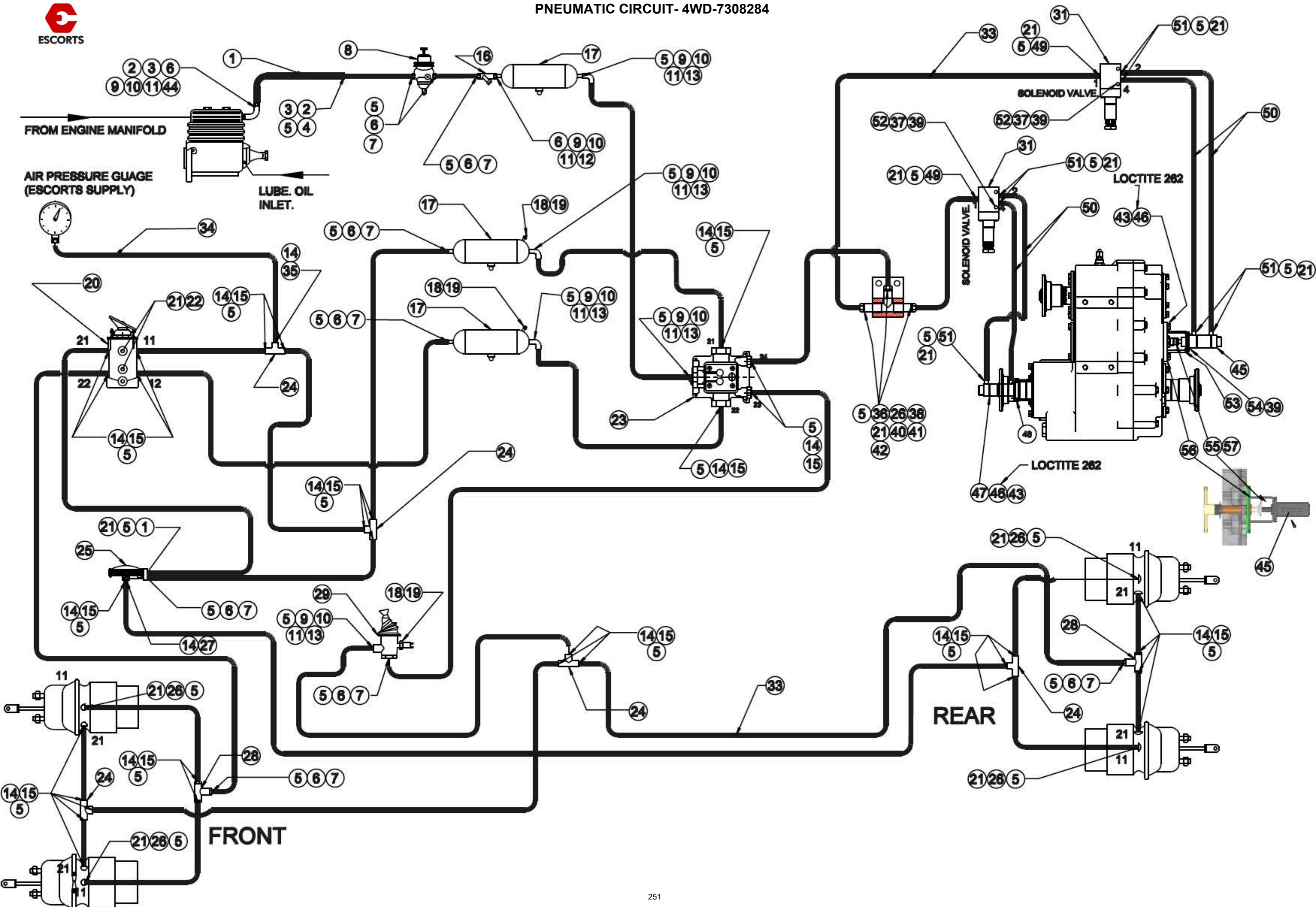
BRAKES		FRONT WHEEL BRAKE ASSY – 2WD		
S No	Part No	Description	Qty	Remarks
1	86.02.903.2	WHEEL BRAKE CYLINDER	2	
2	86.02.20.1	PRESSURE SPRING WITH RETAINER	2	
3X	86.02.21.1	PISTON CUP	4	
4	86.02.22.1	PISTON	4	
5	86.02.23.1	CIRCLIP	4	
6X	86.02.21.1	BOOT	4	
7	86.02.25.1	SLOTTED PIN	4	
8	86.02.26.1	BLEEDING SCREW	2	
09	86.02.57.1	DUST CAP	2	
10	86.02.29.1	HEAT SHIELD	2	
11	W2.10	SPRING WASHER	4	
12	86.02.28.0	SCREW	4	
13	86.02.53.1	ANCHOR PLATE RH	1	
14	86.02.54.1	ANCHOR PLATE LH	1	
15	86.02.30.1	COVER	4	
16	86.02.31.1	HALF ROUND RIVET	4	
17	B1.12X1.5-28-8G	BOLT	8	
18	W2.12	SPRING WASHER	8	
19	N6.12.1.5	NYLOCK NUT	8	
20	B1.14X1.75-38-8G	BOLT	8	
21	W2.14	SPRING WASHER	4	
22	86.02.32.1	ADJUSTING ECCENTRIC WITH HEX. NUT	4	
23	86.02.33.1	NUT M14X1-5-8G	4	
24	86.02.34.1	PRESSURE SPRING	4	
25	86.02.35.1	TAPERED GROOVED PIN	4	
26	86.02.36.1	BRAKE SHOE, FRONT & REAR WITH LINING	4	
27	86.02.55.1	BRAKE LINING	8	
28	86.02.56.1	TUBULAR RIVET (FR BRAKE SHOE)	64	
29	86.02.37.1	SHACKLE	8	
30	86.02.38.1	PIN	4	
31	86.02.39.1	CIRCLIP	12	
32	86.02.40.2	SPECIAL PIN	4	
33	86.02.41.1	SPACER WASHER	8	
34	86.02.42.1	PRESSURE SPRING	4	
35	86.02.43.0	LOCK RING	4	
36	86.02.44.1	PIN	4	
37	86.02.45.1	RETURN SPRING (TO FRONT BRAKE SHOE)	2	
38	86.02.46.1	RETURN SPRING (BETWEEN BRAKE SHOE)	2	
39	N6.14X1.75	NUT NYLOCK	4	
40	29966507	WHEEL CYL. KIT	2	
41	86.02.47.1	BOLT	4	
42	86.02.48.1	SPRING RETAINER(HIGH)	4	
43	86.02.49.1	PRESSURE SPRING	4	
44	86.02.50.1	SPRING RETAINER(HIGH)	4	
46	86.02.52.0	NUT	4	

FRONT WHEEL BRAKE ASSY- 2WD SHEET -2



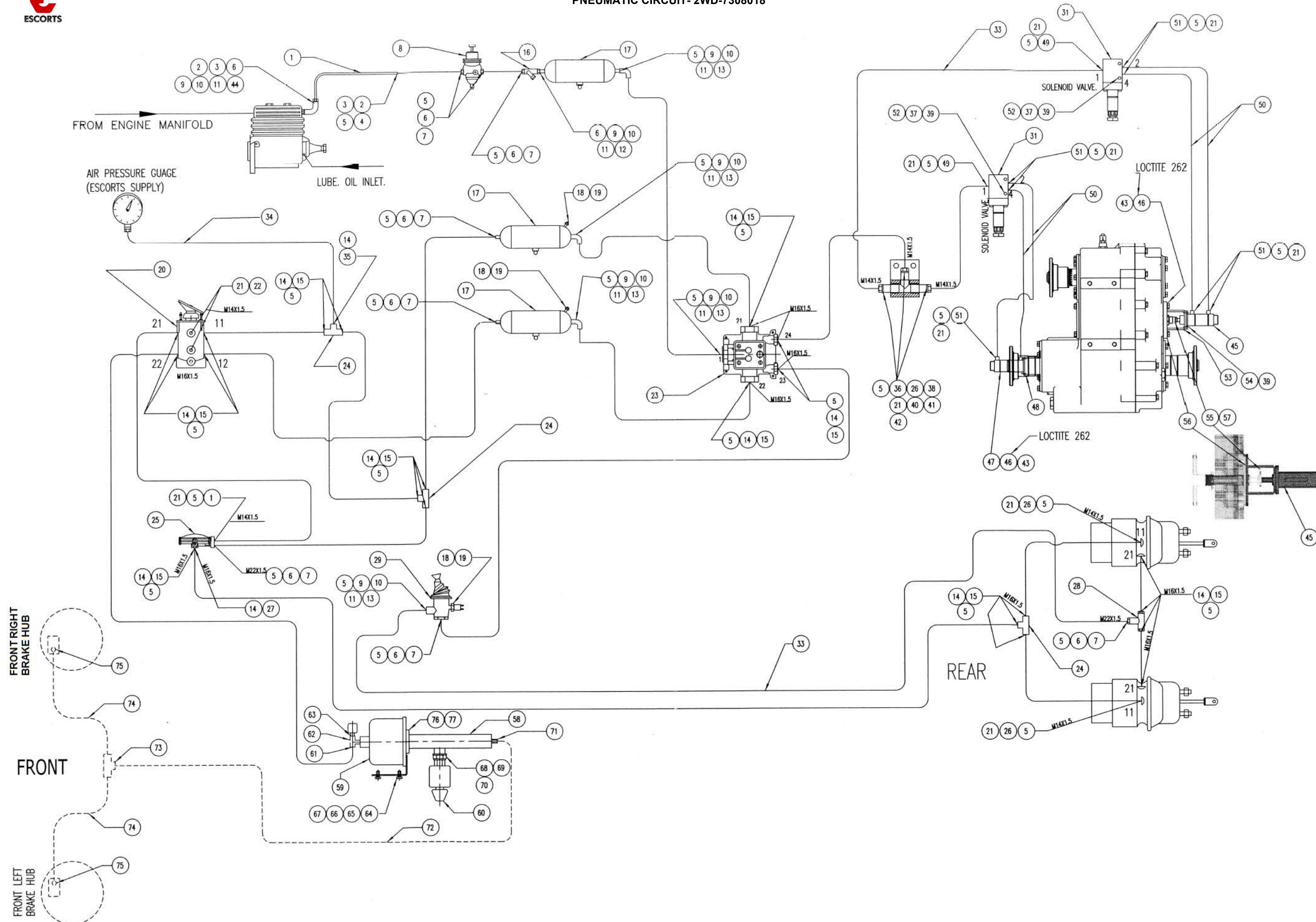
F-15

BRAKES		FRONT WHEEL BRAKE ASSY – 2WD		
S No	Part No	Description	Qty	Remarks
47	B1.10.14.8G	BOLT	4	
	8V1925801000	BRAKE PLATE ASYY LH	1	
	8V1925802000	BRAKE PLATE ASYY RH	1	
	29966507	WHEEL CYLINDER REPAIR KIT	1	



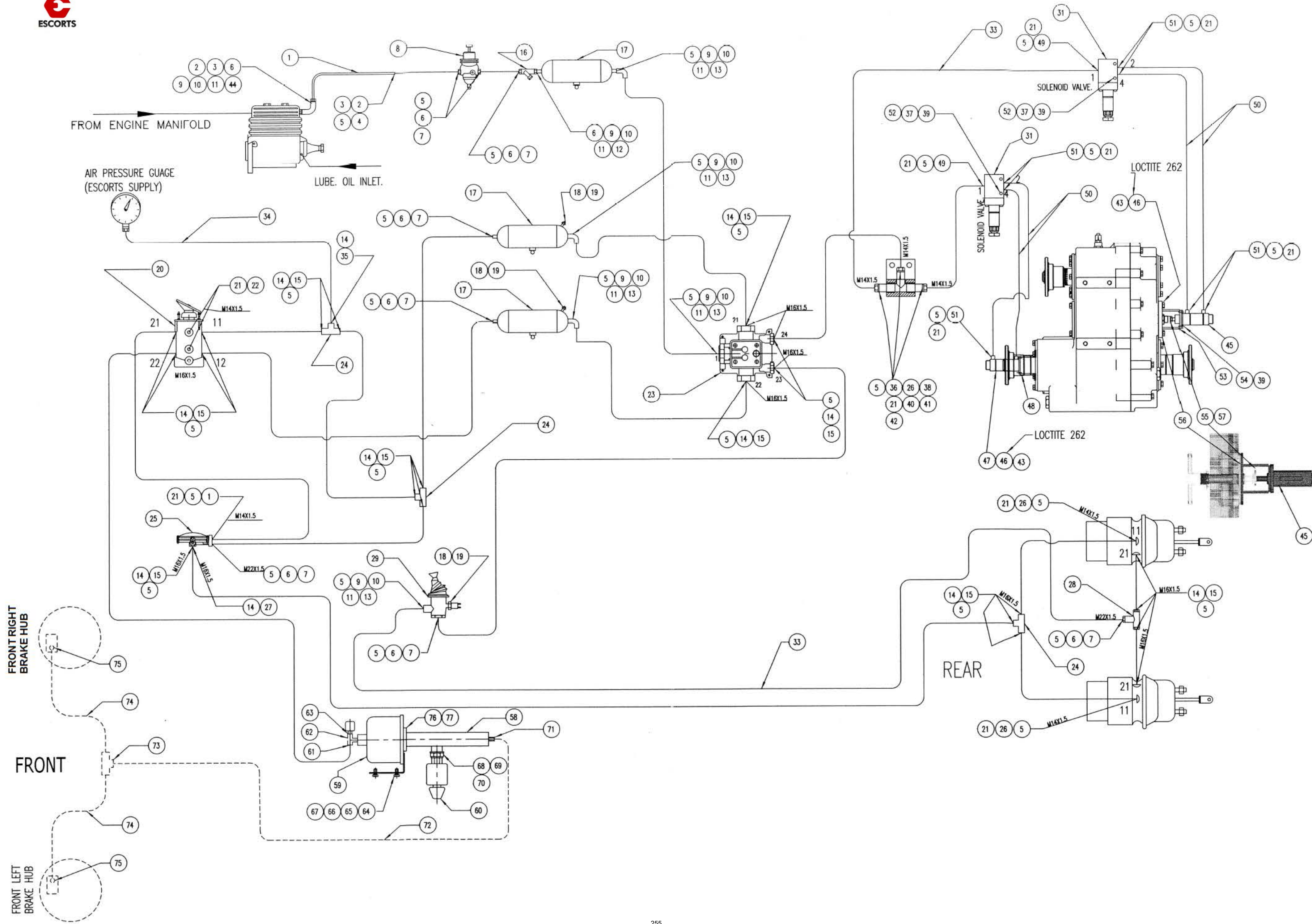
F-15

BRAKES		PNEUMATIC CIRCUIT - 4WD		
S NO	PART NO	DESCRIPTION	QTY	REMARKS
1	C8V194902800	METAL PIPE	1	
2	C8M105403300	SLEEVE	2	
3	C8M105403400	UNION NUT	2	
4	C841C5013B00	ADAPTOR	1	
5	C8PP10796000	WORM DRIVE HOSE CLAMP	61	
6	C8M105402600	WASHER M22	10	
7	C841C5003C00	HOSE ADAPTER	8	
8	C8PP10529000	UNLOADER VALVE WITH	1	
9	C8M105402700	SEALING RING	7	
10	C8M105402800	SPECIAL WASHER	7	
11	C8M105402900	LOCK NUT	7	
12	C8F952805200	DOUBLE SOCKET	1	
13	C841C5006B00	ELBOW (M22X1.5)	5	
14	C8V121901300	WASHER M16	33	
15	C841C5004C00	HOSE ADAPTER	31	
16	C8PP10532000	AIR FILTER	1	
17	C8V194901300	RESERVOIR ASSY.	3	
18	C8F952803800	WASHER M12	3	
19	C8PP10534000	LOW PRESSURE SWITCH	3	
20	C7312295	DUAL BRAKE VALVE	1	
21	C8F952803000	WASHER M14	23	
22	C8V194904500	STOP LIGHT SWITCH	2	
23	C8PP10533000	SYSTEM PROTECTION VALVE	1	
24	C841C5015C00	T-JOINT	3	
25	C8F952812200	RELAY VALVE	1	
26	C841C5005C00	HOSE ADAPTER	6	
27	C8V121903000	PLUG	3	
28	C7206624	QUICK RELEASE VALVE	1	
29	C7206625	GRAD. HAND CONTROL VALVE	1	
30	C8F952804000	WASHER M10	2	
31	C7302214	SOLENOID VALVE	2	
33	C8PP10811000	AIR BRAKE HOSE	50mt	
34	C8V194902500	HOSE	1	
35	C841C5019000	ADAPTER	1	
36	C841C5017B00	TEE	1	
37	C9100342	HEXAGON NUT	4	
38	C9100046	SPRING LOCK WASHER	2	
39	C9100150	SPRING LOCK WASHER	14	
40	C9100166	HEXAGON HEAD SCREW	2	
41	C9100068	HEXAGON NUT	2	
42	C9100062	PUNCHED WASHER	2	
43	C9100044	SPRING LOCK WASHER	4	
44	C8M105403000	ELBOW	1	
45	C7305764	DOUBLE ACTING CYLINDER HI/LOW	1	
46	C9100267	HEXAGON HEAD SCREW	4	
47	C8PP11745000	BRAKE VALVE	1	



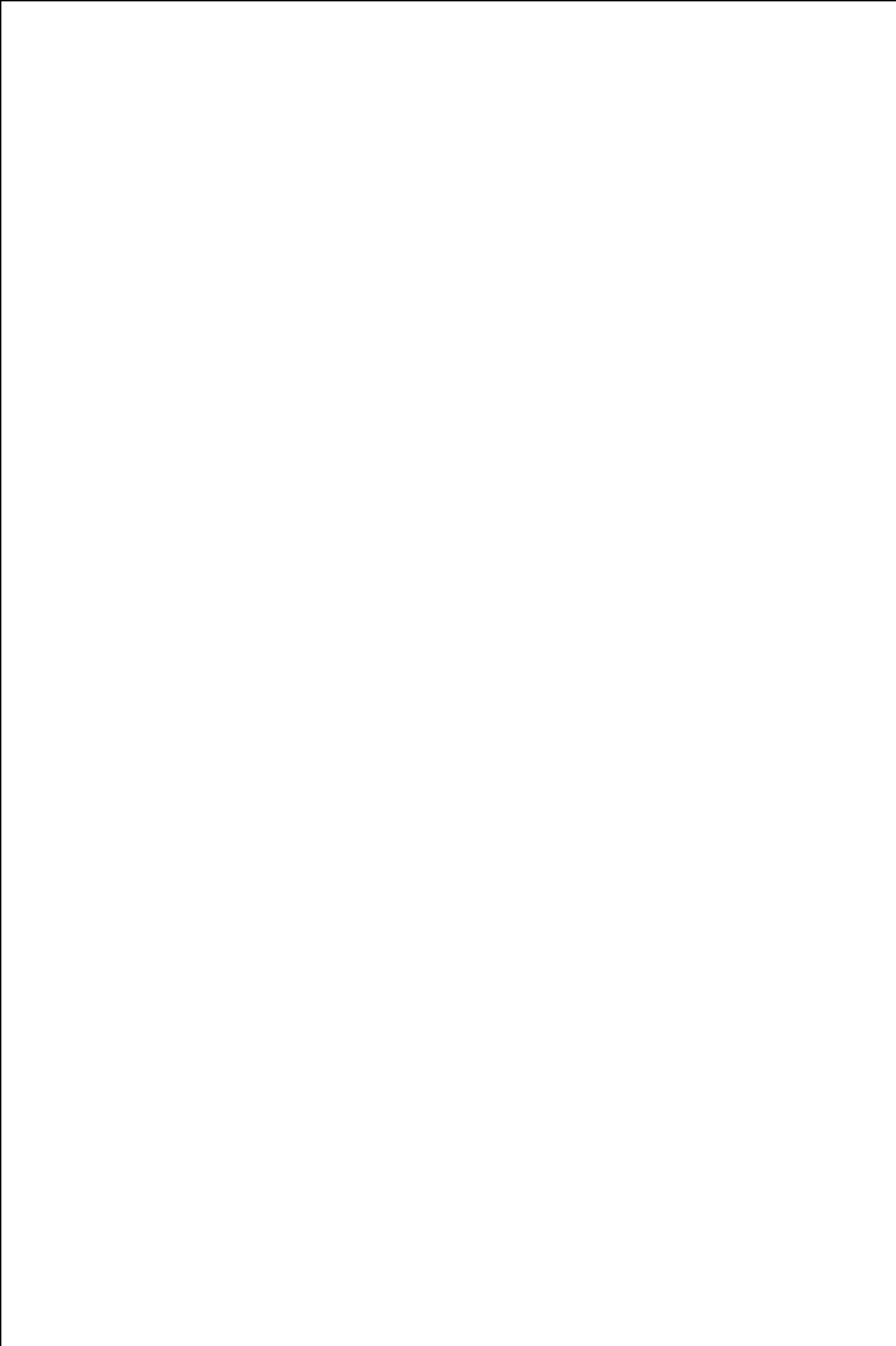
F-15

BRAKES		PNEUMATIC CIRCUIT – 2WD		
S No	Part No	Description	Qty	Remarks
1	8V194902800	METAL PIPE 5/8"	1	
2	8M105403300	SLEEVE 5/8"	2	
3	8M105403400	UNION NUT 5/8"	2	
4	841C5013B00	ADAPTOR (M22X1.5, FEMALE TYPE)	1	
5	8PP10796000	WORM DRIVE HOSE CLAMP(ID-18,OD-25)	61	
6	8M105402600	WASHER M22	10	
7	841C5003C00	HOSE ADAPTER (M22X1.5)	8	
8	8PP10529000	UNLOADER VALVE WITH 7.4 BAR	1	
9	8M105402700	SEALING RING	7	
10	8M105402800	SPECIAL WASHER	7	
11	8M105402900	LOCK NUT M22X1.5	7	
12	8F952805200	DOUBLE SOCKET	1	
13	841C5006B00	ELBOW (M22X1.5)	5	
14	8V121901300	WASHER M16	33	
15	841C5004C00	HOSE ADAPTER (M16X1.5)	31	
16	8PP10532000	AIR FILTER	1	
17	8V194901300	RESERVOIR ASSY. 15L	3	
18	8F952803800	WASHER M12	3	
19	8PP10534000	LOW PRESSURE SWITCH 5.4 BAR	3	
20	C7312295	DUAL BRAKE VALVE	1	
21	8F952803000	WASHER M14	23	
22	8V194904500	STOP LIGHT SWITCH	2	
23	8PP10533000	SYSTEM PROTECTION VALVE	1	
24	841C5015C00	T-JOINT	3	
25	8F952812200	RELAY VALVE	1	
26	841C5005C00	HOSE ADAPTER (M14X1.5)	6	
27	8V121903000	PLUG (M16X1.5)	3	
28	C7206624	QUICK RELEASE VALVE	1	
29	C7206625	GRAD. HAND CONTROL VALVE	1	
30	8F952804000	WASHER M10	2	
31	C7302214	SOLENOID VALVE	2	
33	8PP10811000	AIR BRAKE HOSE (1/2" I.D)	50mt	
34	8V194902500	HOSE	1	
35	841C5019000	ADAPTER	1	



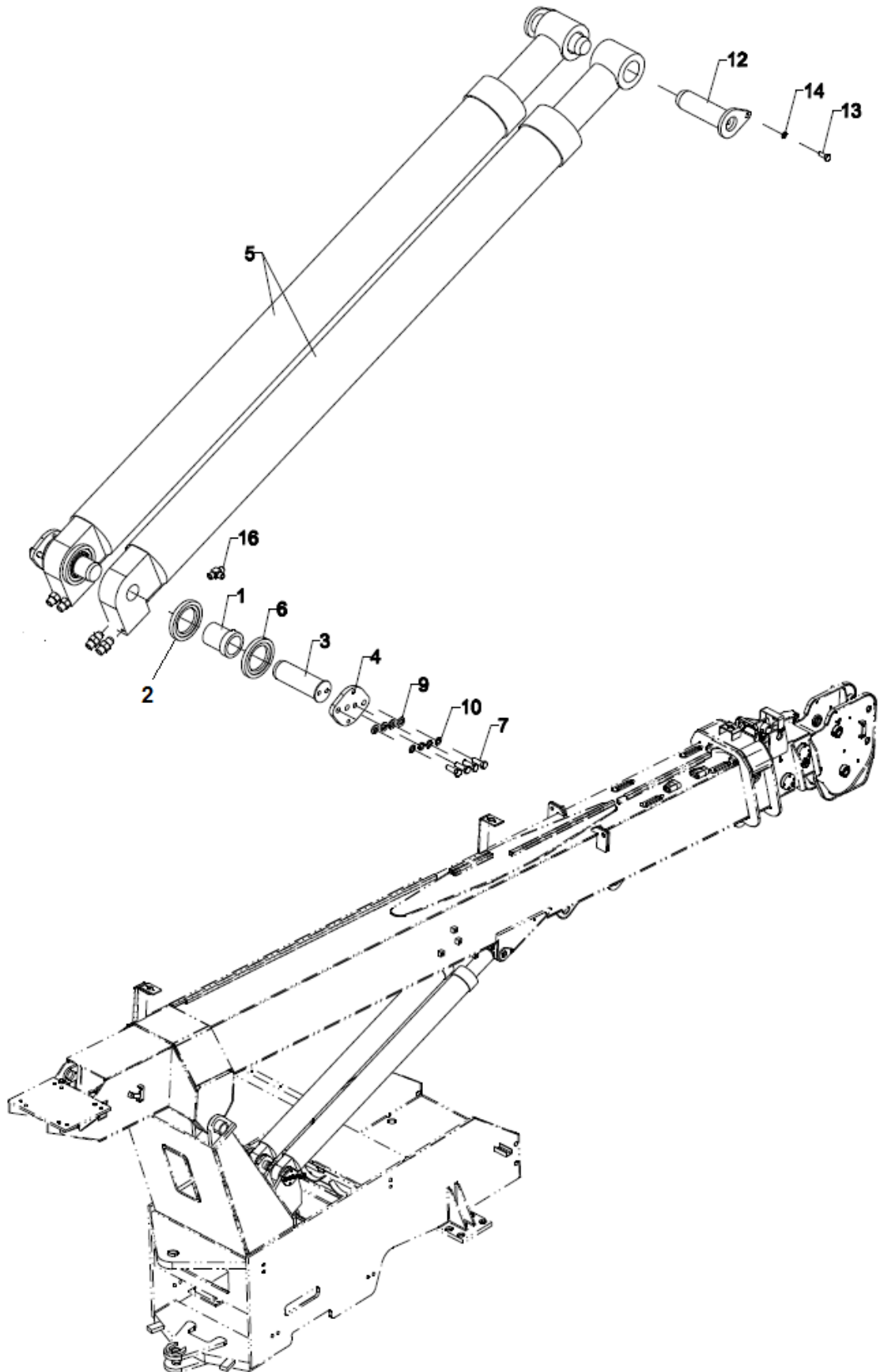
F-15

BRAKES		PNEUMATIC CIRCUIT – 2WD		
S No	Part No	Description	Qty	Remarks
36	841C5017B00	TEE	1	
37	9100342	HEXAGON NUT IS:1364(PART 3)/ISO 4032 M6	4	
38	9100046	SPRING LOCK WASHER A8- IS:3063 PHOSPHATE COATING	2	
39	9100150	SPRING LOCK WASHER A6- IS:3063 PHOSPHATE COATING	14	
40	9100166	HEXAGON HEAD SCREW-IS 1364 (PART 2)/ISO 4017 - M8X25-8.8	2	
41	9100068	HEXAGON NUT-IS 1364(PART 3)/ISO 4032- M8-8	2	
42	9100062	PUNCHED WASHER 9 A IS:2016-1967-STEEL	2	
43	9100044	SPRING LOCK WASHER A10- IS:3063 PHOSPHATE COATING	4	
44	8M105403000	ELBOW	1	
45	7305764	DOUBLE ACTING CYLINDER HI/LOW	1	
46	9100267	HEXAGON HEAD SCREW-IS 1364 (PART 2)/ISO 4017 - M10X25-8.8	4	
47	7302065	DOUBLE ACTING CYLINDER 2WD/4WD	1	
48	7303218	BRACKET 4WD	1	
49	7302212	ADAPTER	2	
50	7302083	AIR HOSE (3/8" SAE J1402 TABLE A)	5 Mtr.	
51	7302101	ADAPTER	8	
52	9100826	HEXAGON SOCKET HEAD CAP SCREW-ISO 4762 - M6X90-12.9	4	
53	7305763	BRACKET HI/LO	1	
54	9100155	HEXAGON SOCKET HEAD CAP SCREW-ISO 4762 - M6X20-8.8	10	
55	9101346	SPLIT PIN 3.2X40 IS:549	1	
56	7305765	SHIM-1MM	2	
57	7305766	SLOTTED NUT	1	
58	8V194980700	MASTER CYLINDER ASSY	1	
59	8V194901400	AIR CYLINDER	1	
60	8V194904710	BOWL MASTER CYLINDER	1	
61	8F852802100	INSERT 3/8" PNEUMATIC TUBE	1	
62	8PP10189000	SPECIAL TEE(M22x1.5x3/8" ODx1/4" NPT F)	1	
63	8PP11094000	PLUG 1/4" BSP	1	
64	C9100040	PUNCHED WASHER A11 ; IS-2016:1967-STEEL	4	
65	C9100044	SPRING LOCK WASHER A10- IS 3063 PHOSPHATE COATING	4	
66	C9100267	HEXAGON HEAD SCREW- IS:1364 (PART 2)/ISO 4017- M10X25-8.8	4	
67	C7302693	PAD	2	
68	8V122904100	SEAL (M22)	1	
69	8V194801900	ADAPTOR	1	
70	8G9560100100	SEAL (1/4" BSP)	1	
71	8V194801700	ADAPTOR	1	
72	847HP004000	TUBING BUNDY (1100 MM)	1	
73	8M980002060	3 WAY UNION	1	
74	847HP003A00	TUBING BUNDY (775 MM)	2	
75	847M1005000	ADAPTOR	2	
76	8V194902400	SPACER	1	
77	C9100107	HEXAGON HEAD BOLT-IS:1364-2002 (PART 1) M10X40-8.8	3	



HYDRAULICS

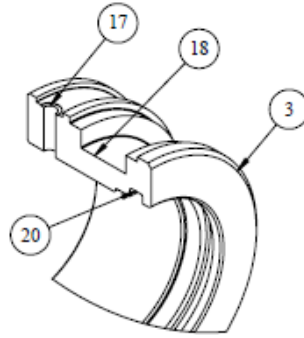
LIFT CYLINDER INSTALLATION-C7304645



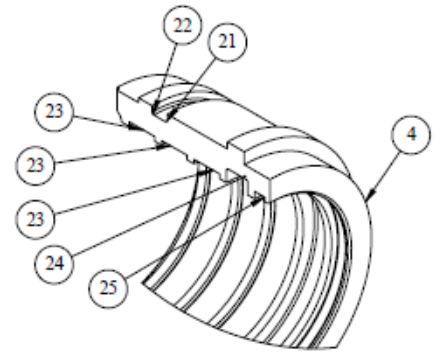
F-15

HYDRAULICS		LIFT CYLINDER INSTALLATION		
S No	Part No	Description	Qty	Remarks
1	C8X16M1013B0	LOWER LUFF CYL. PIN SLEEVE	2	
2	C8X16M1014B0	SLEEVE SHOULDER	2	
3	C8X16M2010F0	LUFF CYLN PINS	2	
4	C822P1215000	LUFF CYL. FLANGE	2	
5	7310328	LUFF CYLINDER ASSY	2	
6	C8X223200500	SPACER (LIFT CYL.)	4	
7	C9100185	HEXAGON HEAD SCREW	8	
9	C9100059	PUNCHED WASHER	8	
10	C9100088	SPRING LOCK WASHER	8	
12	C8X00M0211G0	TOP PIVOT PIN LIFT RAM	2	
13	C9100267	HEXAGON HEAD SCREW	2	
14	C9100044	SPRING LOCK WASHER	2	
16	C8PP10716000	TEE	2	

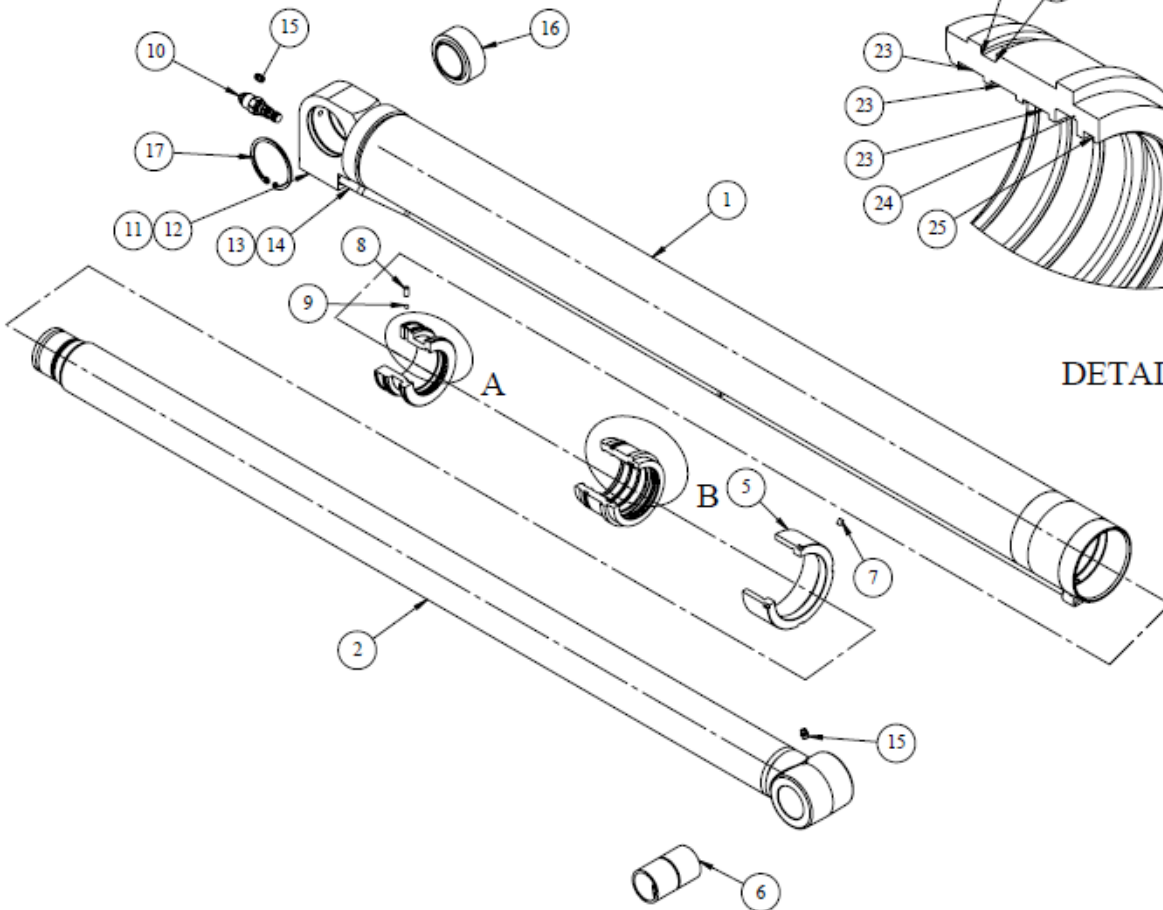
LUFF CYLINDER-C7310328



DETAIL A



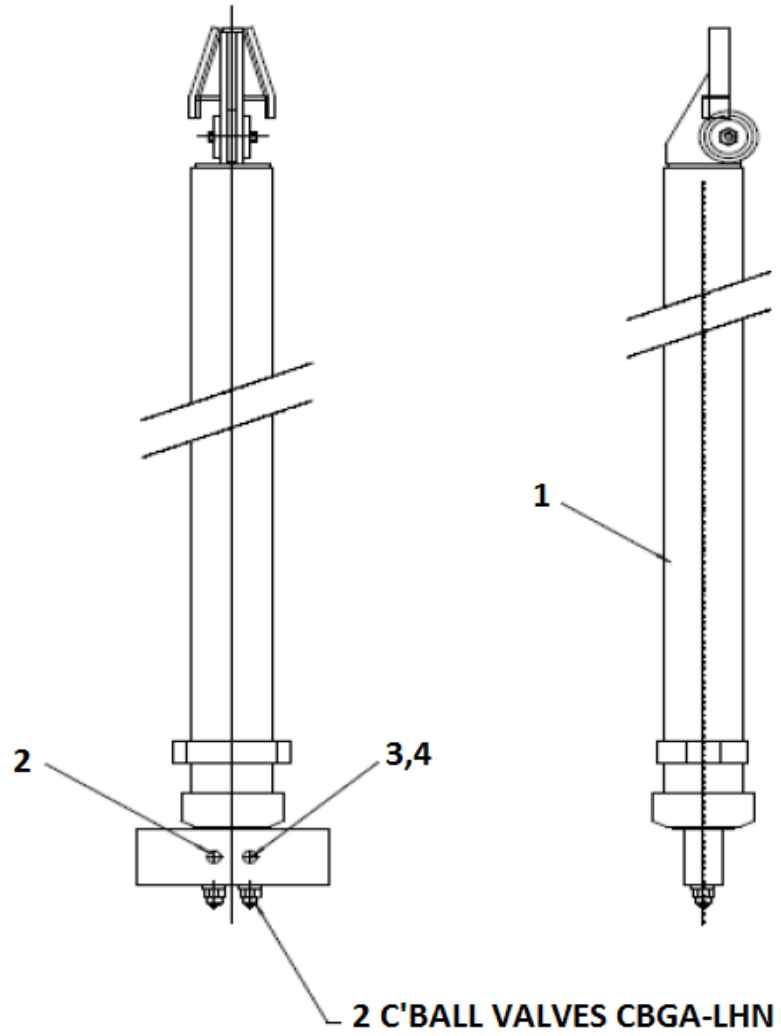
DETAIL B



F-15

HYDRAULICS		LUFF CYLINDER - C7310328		
S No	Part No	Description	Qty	Remarks
1		TUBE FINAL WELDMENT	1	NS
2		PISTON ROD WELDMENT	1	NS
3		PISTON	1	NS
4		GLAND	1	NS
5		GLAND CAP	1	NS
6	7304251-003	BUSH	1	
7		GRUB SCREW	1	NS
8		STEELBALL	1	NS
9		STEEL BALL	1	NS
10	7304251-001	OVER CENTER VALVE CARTRIDGE	1	
11		ALLEN PLUG	2	NS
12		BONDED SEAL	2	NS
13		ALLEN PLUG	1	NS
14		BONDED SEAL	1	NS
15	7928165-004	GREASING NIPPLE	2	
16	7304251-002	SPH BEARING	1	
17	BC418	CIRCLIP	1	
18	PART OF SEAL KIT	PISTON SEAL	1	
19	PART OF SEAL KIT	SLYD RING	1	
20	PART OF SEAL KIT	O RING	1	
21	PART OF SEAL KIT	BACK UP RING	1	
22	PART OF SEAL KIT	O RING	1	
23	PART OF SEAL KIT	SLYD RING	3	
24	PART OF SEAL KIT	ROD SEAL	1	
25	PART OF SEAL KIT	WIPER SEAL	1	
26	SDY.2362.000	SEAL KIT OF CONSIST 18 TO 25	1	

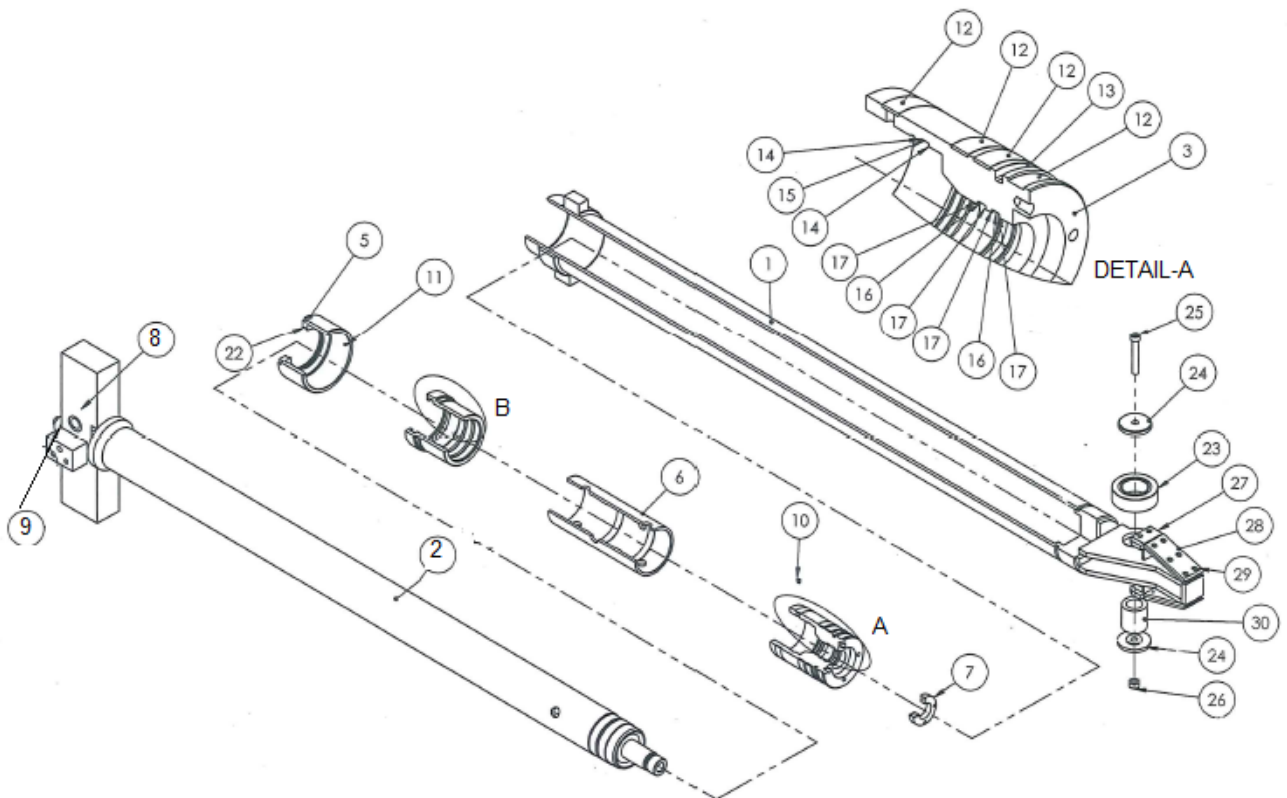
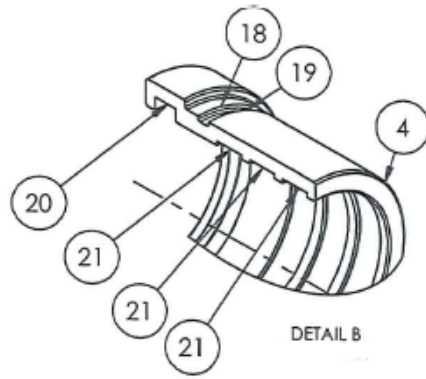
EXTENSION CYLINDER INSTALLATION ASSY



F-15

HYDRAULICS		EXTENSION CYLINDER INSTALLATION ASSY		
S No	Part No	Description	Qty	Remarks
1	C7305787	EXTENSION CYLINDER ASSY.	1	
2	8PP10241000	ELBOW - 7/8"JIC M x 7/8" UNO M	1	
3	8PP10242000	ADAPTOR - 7/8"JIC M x 7/8" UNO M	1	
4	8PP10243000	ELBOW - 7/8"JIC M x 7/8" JIC F SWIVEL	1	

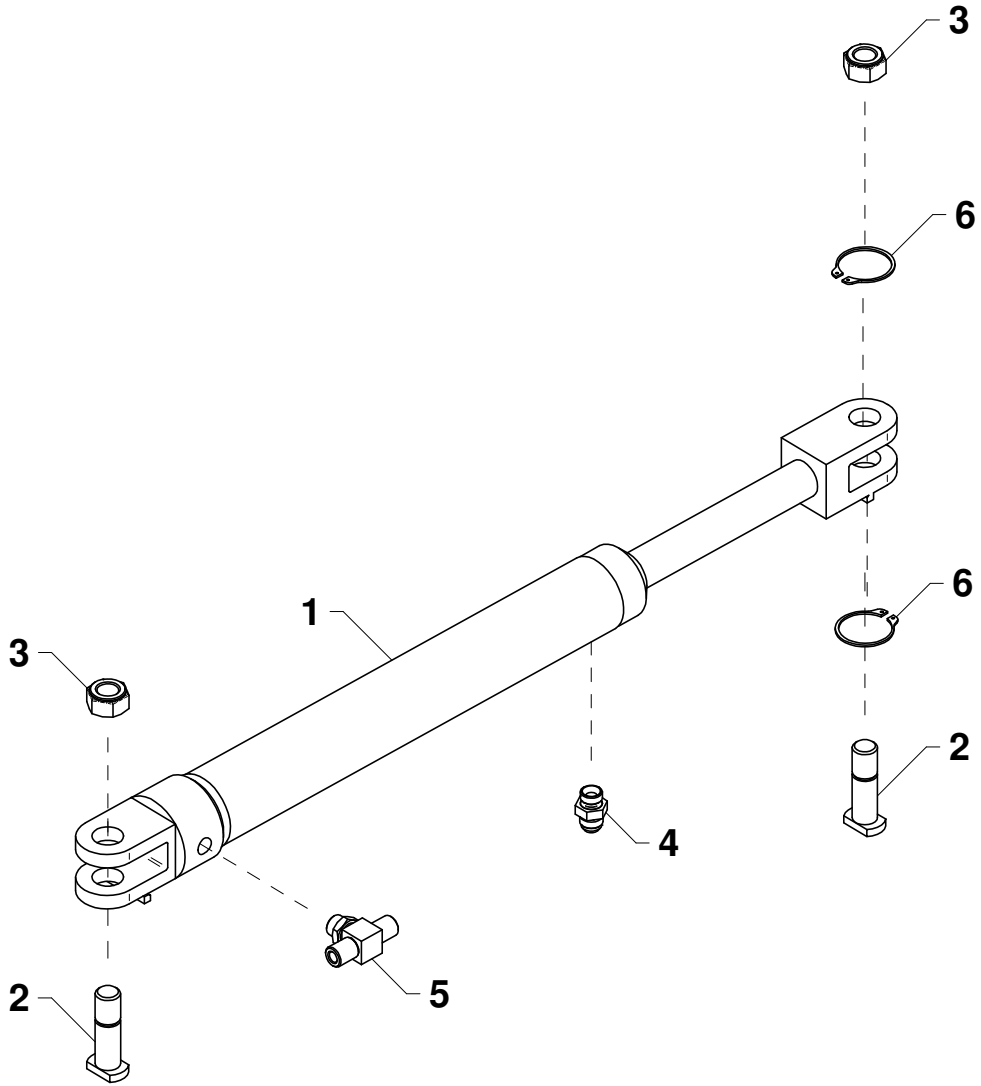
EXTENSION CYLINDER-C7305787



F-15

HYDRAULICS		EXTENSION CYLINDER-C7305787		
S No	Part No	Description	Qty	Remarks
1		TUBE FINAL WELDMENT	1	NS
2		PISTON ROD WELDMENT	1	NS
3		PISTON	1	NS
4		GLAND	1	NS
5		GLAND CAP	1	NS
6		SPACER	1	NS
7		LOCK NUT	1	NS
8	7304251.002	CHECK CARTRIDGE	1	
9	26-C-1-001LCVD	OVER CENTRE CART. BALANCED	1	
10		GRUB SCREW	1	NS
11		GRUB SCREW	1	NS
12	PART OF SEAL KIT	SLYD RING BORE	4	
13	PART OF SEAL KIT	PISTON SEAL GLYD	1	
14	PART OF SEAL KIT	BACK UP RING	2	
15	PART OF SEAL KIT	O RING	1	
16	PART OF SEAL KIT	O RING	2	
17	PART OF SEAL KIT	BACK UP RING	4	
18	PART OF SEAL KIT	BACK UP RING	1	
19	PART OF SEAL KIT	O RING	1	
20	PART OF SEAL KIT	ROD U CUP	1	
21	PART OF SEAL KIT	SLYD RING ROD	3	
22	PART OF SEAL KIT	WIPER	1	
23	A-2-035/003	BEARING	1	
24	A-2-035/004	END CAP	2	
25	A-2-035/005	HEX BOLT	1	
26	A-2-035/006	NYLOCK NUT	1	
27	A-2-035/007	PLATE	2	
28	A-2-035/008	PLATE	2	
29	A-2-035/009	CSK SCREW	16	
30	A-2-035/010	ROLLER SHAFT	1	
31	SDY.2375.000	SEAL KIT CONSIST 12 TO 23	1	

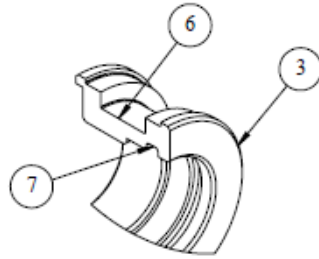
STEERING CYLINDER INSTALLATION



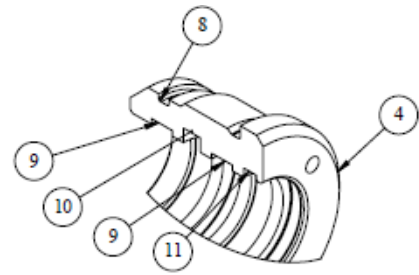
F-15

HYDRAULICS		STEERING CYLINDER INST.- C7310065		
S No	Part No	Description	Qty	Remarks
1	8X00A103600	STEERING CYLINDER	2	
2	C8X00M0503J0	STEERING CYL PIN	4	
3	C9100423	PREVAILING TORQUE TYPE NUT (1-1/8 UNF)"-8-P	4	
4	C8X223200100	NIPPLE M/M3/4"UNOX3/4" JIC(S90-3)	2	
5	C8X223200200	TEE M/M/M3/4" JIC -3/4"JIC-3/4"UNF(S90-3)	2	
6	9100464	CIRCLIP 55x2 H (IS:3075-PART-1)	4	

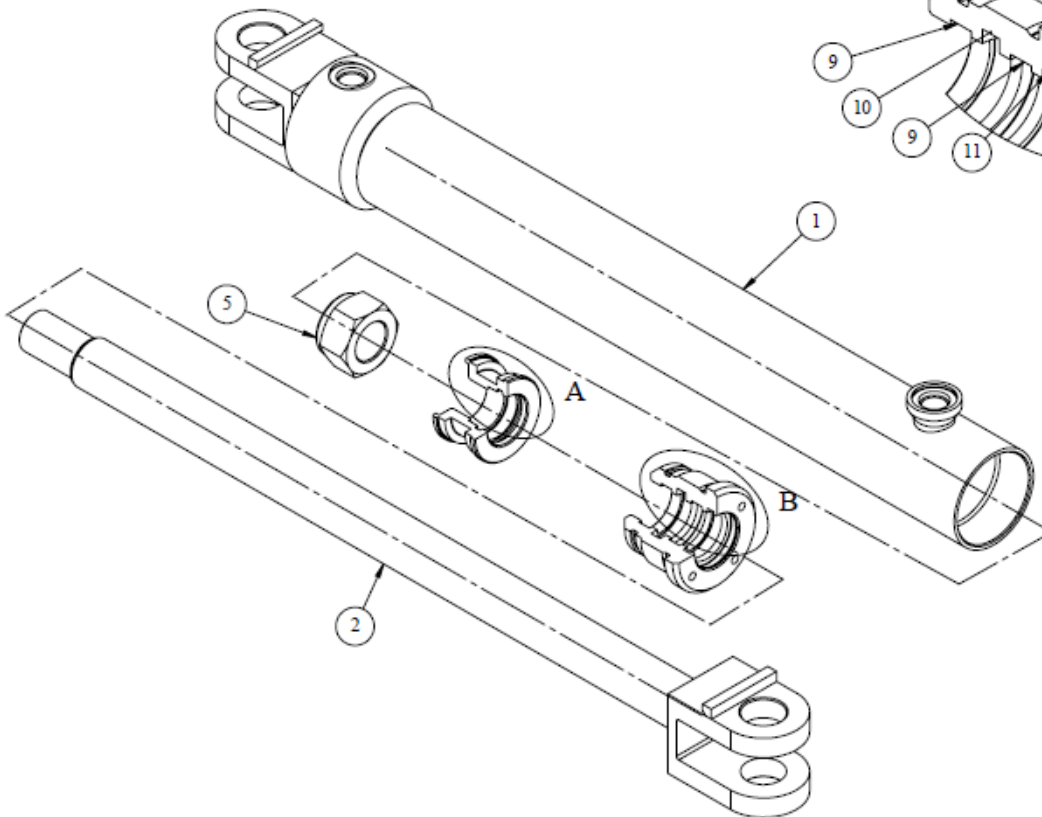
STEERING CYLINDER



DETAIL A



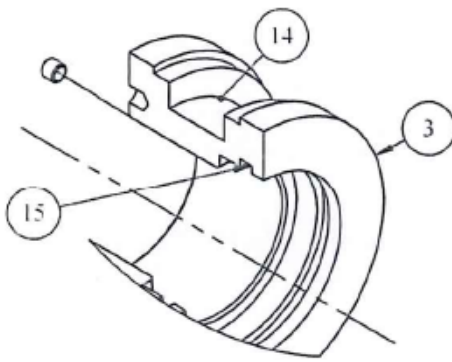
DETAIL B



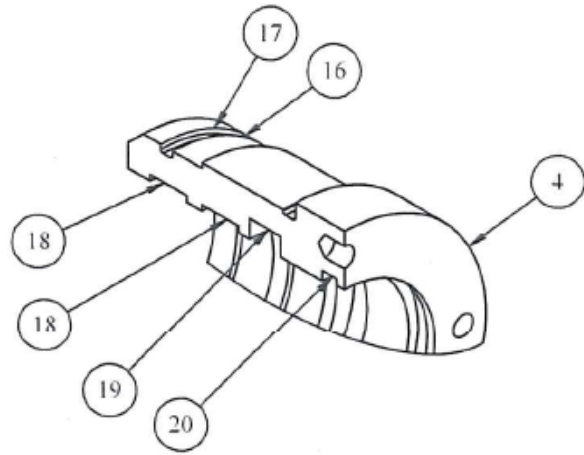
F-15

HYDRAULICS		STEERING CYLINDER - 8X00A103600		
S No	Part No	Description	Qty	Remarks
1		TUBE FINAL WELDMENT	1	NS
2		PISTON ROD WELDMENT	1	NS
3		PISTON	1	NS
4		GLAND	1	NS
5	A-1-036/001	NYLOCK NUT	1	
6	PART OF SEAL KIT	PISTON SEAL	1	
7	PART OF SEAL KIT	O RING	1	
9	PART OF SEAL KIT	SLYD RING	2	
10	PART OF SEAL KIT	ROD SEAL	1	
11	PART OF SEAL KIT	WIPER	1	
12	SDK.2366.000	SEAL KIT	1	

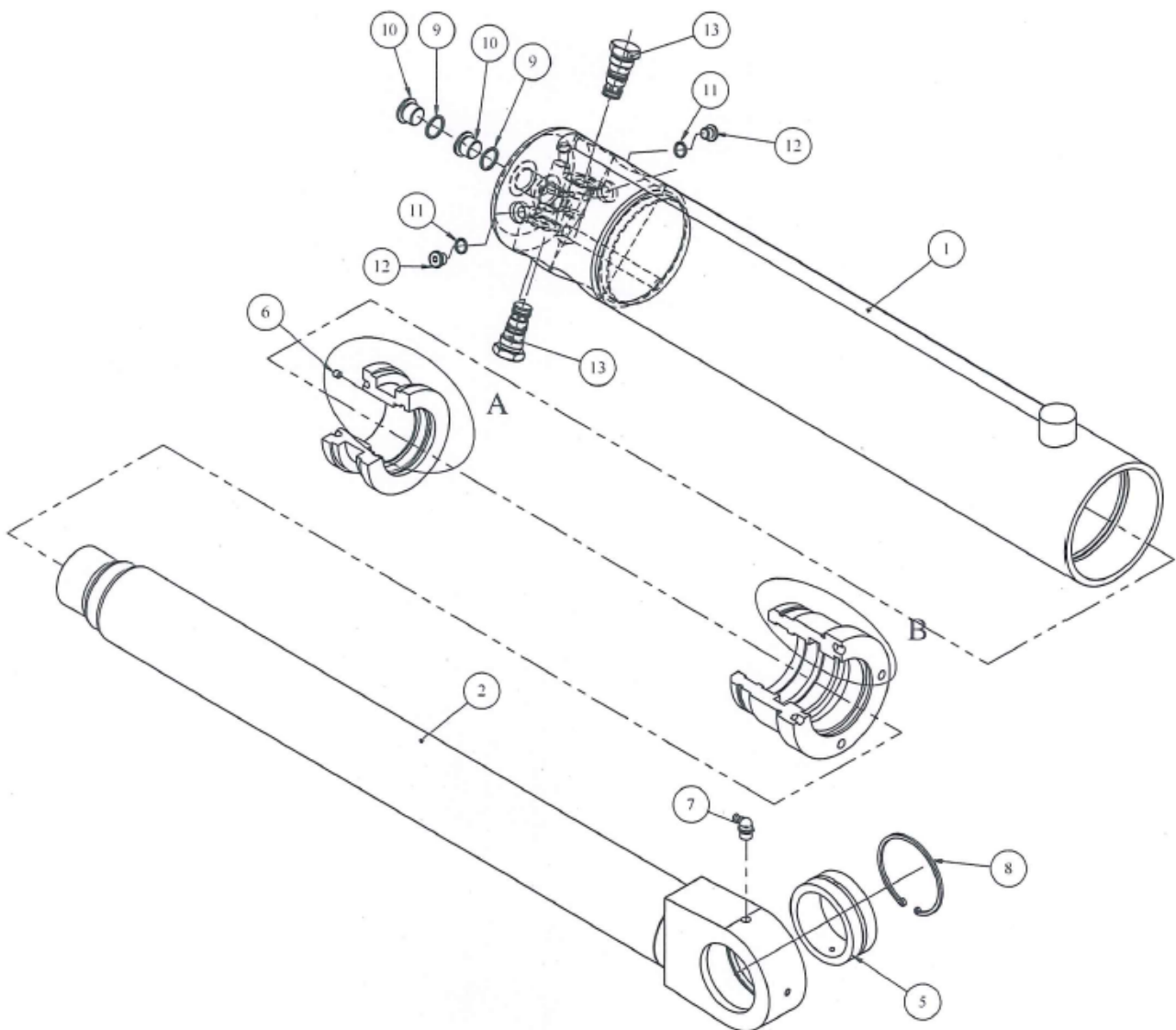
OUTRIGGER CYLINDER



DETAIL A



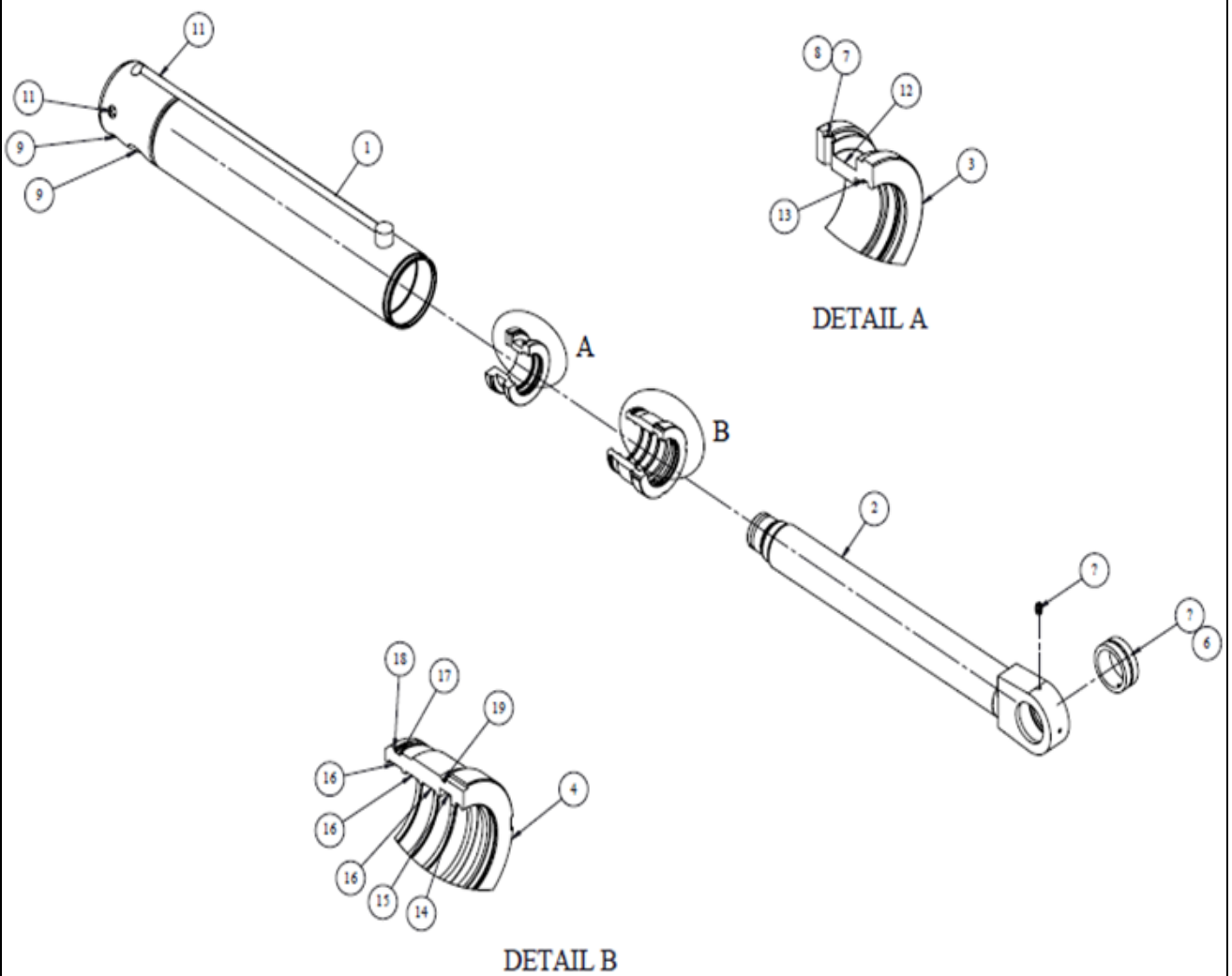
DETAIL B



F-15

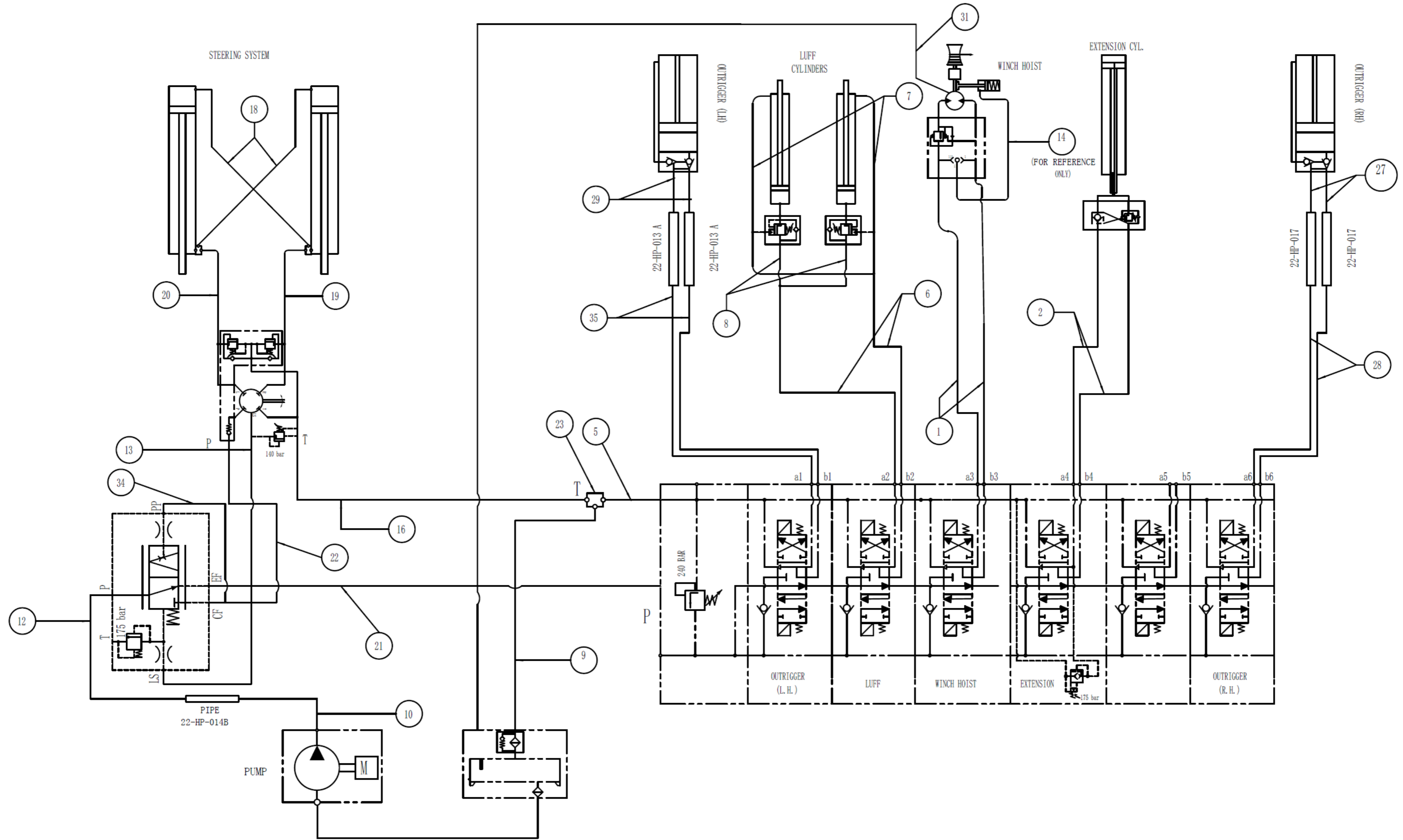
HYDRAULICS		OUTRIGGER CYLINDER - C822C1175000		
S No	Part No	Description	Qty	Remarks
1		TUBE FINAL WELDMENT	1	NS
2		PISTON ROD WELDMENT	1	NS
3		PISTON	1	NS
4		GLAND	1	NS
5	22-C-1-175/002	SPH BEARING	1	
6		GRUB SREW	1	NS
7	7928165-004	GREASING NIPPLE	1	
8	22-C-1-175/001	CIRCLIP-INTERNAL	1	
9		COPPER WASHER	2	NS
10		METALLIC PLUG	2	NS
11		BONDRD SEAL	2	NS
12		ALLEN PLUG	2	NS
13	7304251.003	P.O. CHECK VALVE	2	
14	PART OF SEAL KIT	PISTON SEAL	1	
15	PART OF SEAL KIT	O RING	1	
16	PART OF SEAL KIT	BACK UP RING	1	
17	PART OF SEAL KIT	O RING	1	
18	PART OF SEAL KIT	SLYD RING	2	
19	PART OF SEAL KIT	ROD SEAL	1	
20	PART OF SEAL KIT	WIPER	1	
21	SDY.2444.000	SEAL KIT CONSIST 14 TO 20	1	

OUTRIGGER CYL -7309724 - SMALL



F-15

HYDRAULICS		OUTRIGGER CYL -C7309724 - SMALL		
S No	Part No	Description	Qty	Remarks
1	7309724-001	TUBE FINAL WELDEMENT	1	
2	7309724-002	ROD WELDEMENT	1	
3	V19.45.186.0/03	PISTON	1	
4	22-C-1-175/007	GLAND	1	
5	22-C-1-175/002	SPH BEARING	1	
6	22-C-1-175/001	CIRCLIP-INTERNAL	1	
7	7928165-005	STEEL BALL	1	
8	7102379-002	GRUB SCREW	1	
9	7102358-004	P.O.CHECK VALVE	2	
10	7928165-004	GREASING NIPPLE	1	
11	7309724-003	ALLEN PLUG	2	
12	-	PISTON SEAL COMPACT	1	
13	-	O RING	1	
14	-	WIPER SEAL	1	
15	-	ROD SEAL	1	
16	-	SLYD RING	3	
17	-	BACK UP RING	1	
18	-	O RING	1	
19	-	O RING	1	
20	7309724SK	SEAL KIT CONSIST 12 TO 20	1	

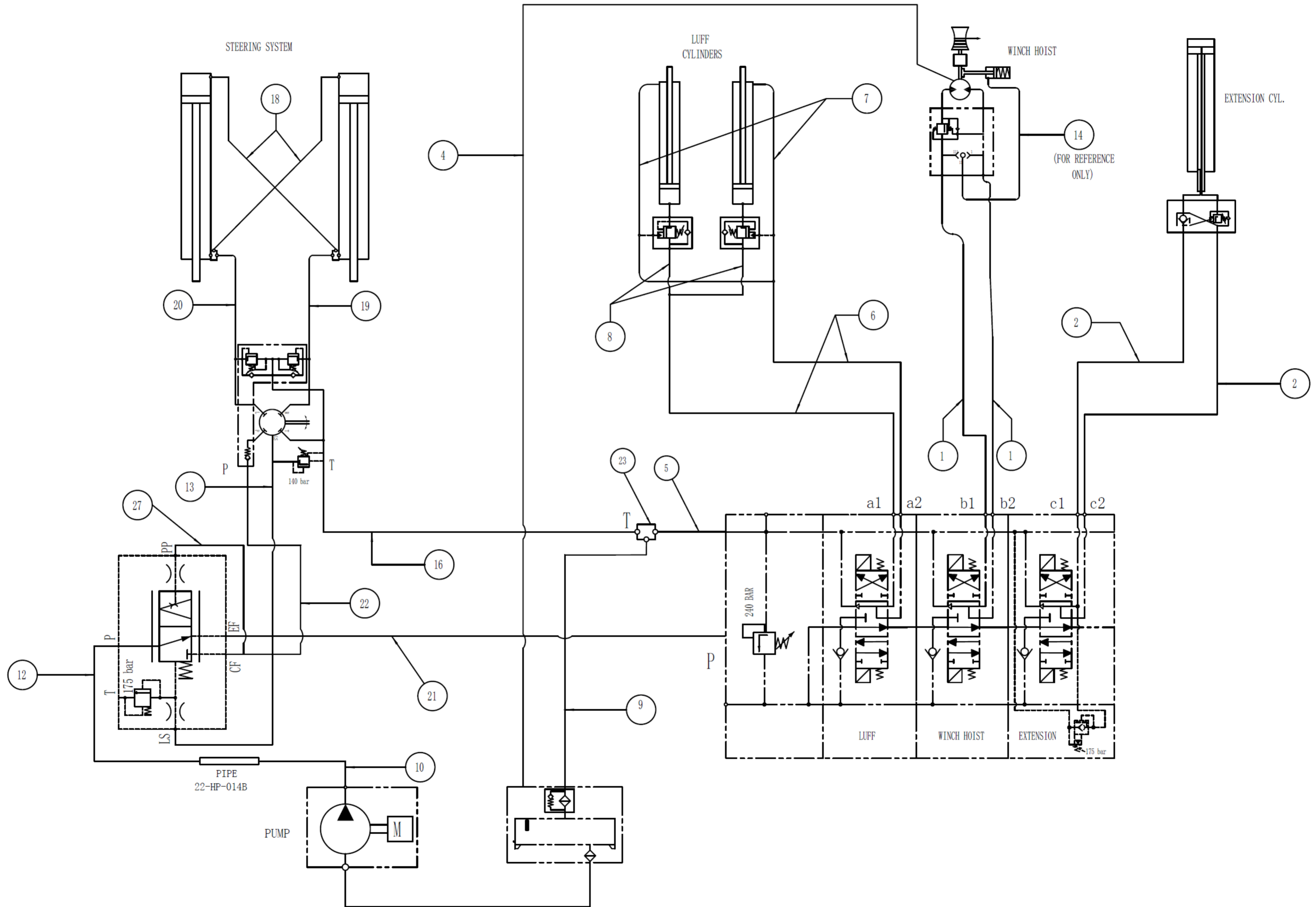


F-15

HYDRAULICS		HYD. HOSE KIT ASSY. (OR VARIANT W/O DW)- C7304027		
S No	Part No	Description	Qty	Remarks
1	7305735	HOSE C.V. TO HOIST WINCH	2	
2	7305734	HOSE C.V. TO EXTENSION CLY.	2	
5	7308235	HOSE CONTROL VALVE TO RETURN LINE	1	
6	7305740	HOSE C.V. TO LUFF CYLINDERS.	2	
7	7309879	HOSE (LUFF)	2	
8	7309880	HOSE (LUFF)	2	
9	7305737	HOSE FILTER TO MANIFOLD	1	
10	7306979	HOSE PUMP TO PIPE.	1	
12	7305738	HOSE MANIFOLD TO P.V.	1	
13	7305747	HOSE STEERING	1	
14	8V055113000	HOSE WINCH BRAKE RELEASE.	1	
16	7305743	HOSE STEERING RETURN	1	
18	C8HA12121140	STEERING CROSS OVER HOSE.	2	
19	7305745	HOSE STEERING.	1	
20	7305744	HOSE STEERING UNIT TO STEER CYLN.	1	
21	7305741	HOSE C.V. TO P.V.	1	
22	7305746	HOSE PRIORITY VALVE TO STEERING 'P'	1	
23	7308227	RETURN LINE MANIFOLD.	1	
26	822A1031000	HOSE CLAMP ASSEMBLY.	5	
27	7309833	HOSE O/R TO PIPE RH	2	
28	7305733	HOSE C.V. TO O/R PIPE	2	
29	7309834	HOSE O/R TO PIPE LH	2	
31	7305736	HOSE RETURN HOIST WINCH.	1	
34	826H01200-0	HOSE ASSY. STEERING	1	
35	7305732	CV TO O/R PIPE	2	

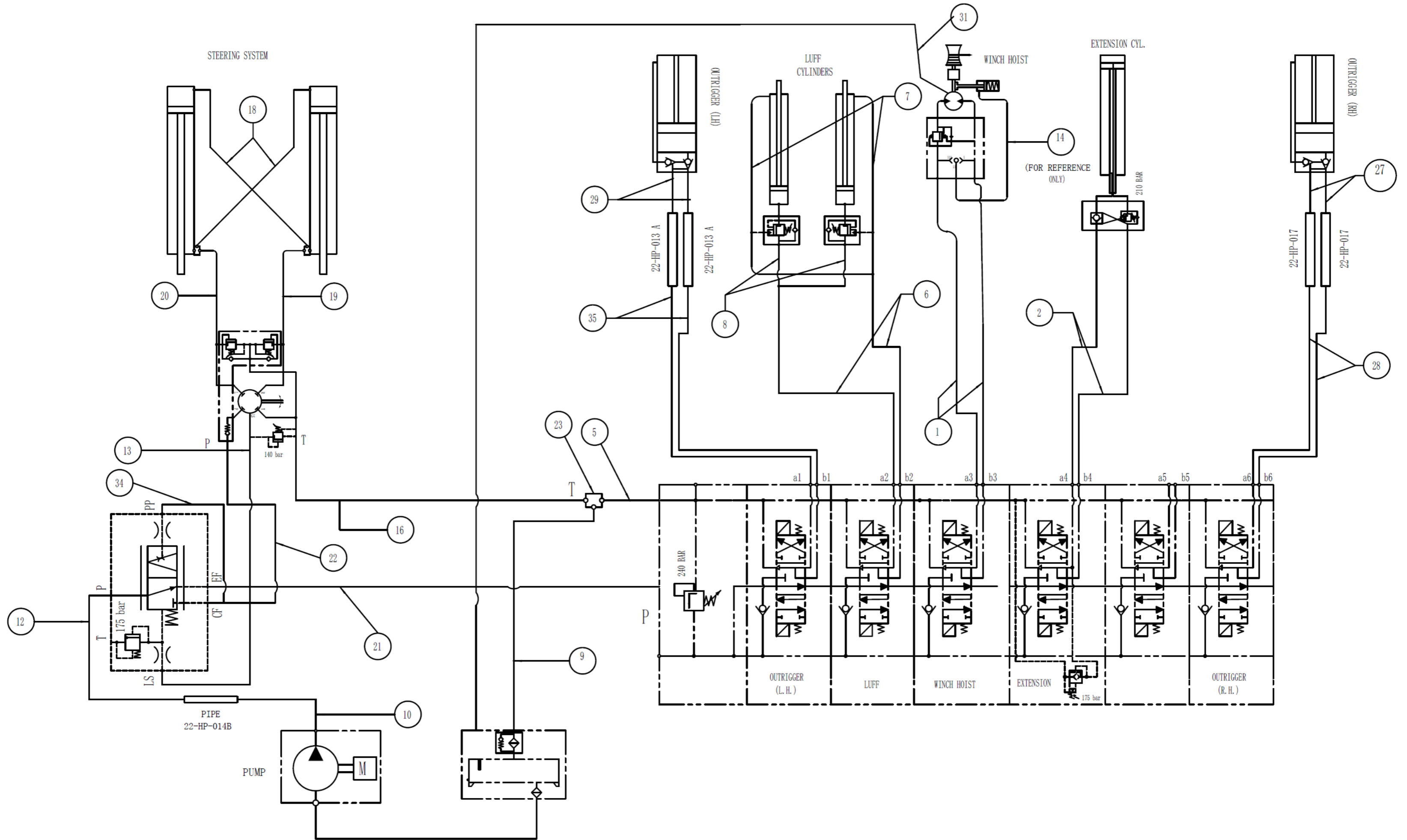
F-15

HYDRAULICS		HYD. HOSE KIT ASSY. OUTRIGGER VARIANT- C7305815		
S No	Part No	Description	Qty	Remarks
1	7305735	HOSE C.V. TO HOIST WINCH	2	
2	7305734	HOSE C.V. TO EXTN. JACK	2	
4	841H061B000	HOSE DRAG WINCH RETURN LINE.	1	
5	7308235	HOSE CONTROL VALVE TO RETURN LINE.	1	
6	7305740	HOSE C.V. TO LUFF CYLINDER	2	
7	7309879	HOSE (LUFF)	2	
8	7309880	HOSE (LUFF)	2	
9	7305737	HOSE FILTER TO MANIFOLD	1	
10	7306979	HOSE - PUMP TO PIPE.	1	
12	7305738	HOSE MANIFOLD TO P.V.	1	
13	7305747	HOSE STEERING	1	
14	8V055113000	HOSE WINCH BRAKE RELEASE.	1	
16	7305743	HOSE STEERING RETURN	1	
18	C8HA12121140	STEERING CROSS OVER HOSE.	2	
19	00 45 23 51	HOSE STEERING.	1	
20	7305744	HOSE STEERING UNIT TO STEER CYLN.	1	
21	7305741	HOSE C.V. TO P.V.	1	
22	7305746	HOSE PRIORITY VALVE TO STEERING 'P'	1	
23	7308227	RETURN LINE MANIFOLD.	1	
26	822A1031000	HOSE CLAMP ASSEMBLY.	5	
27	7309833	HOSE O/R TO PIPE RH	2	
28	7305733	HOSE C.V. TO O/R PIPE	2	
29	7309834	HOSE O/R TO PIPE LH	2	
30	7305742	HOSE DRAG WINCH.	2	
31	7305736	HOSE RETURN HOIST WINCH.	1	
32	841H060A000	HOSE RETURN DRAG WINCH.	1	
33	841M1023000	TEE RETURN LINE.	1	
34	826H01200-0	HOSE ASSY. STEERING	1	
35	7305732	HOSE CV TO O/R PIPE	2	



F-15

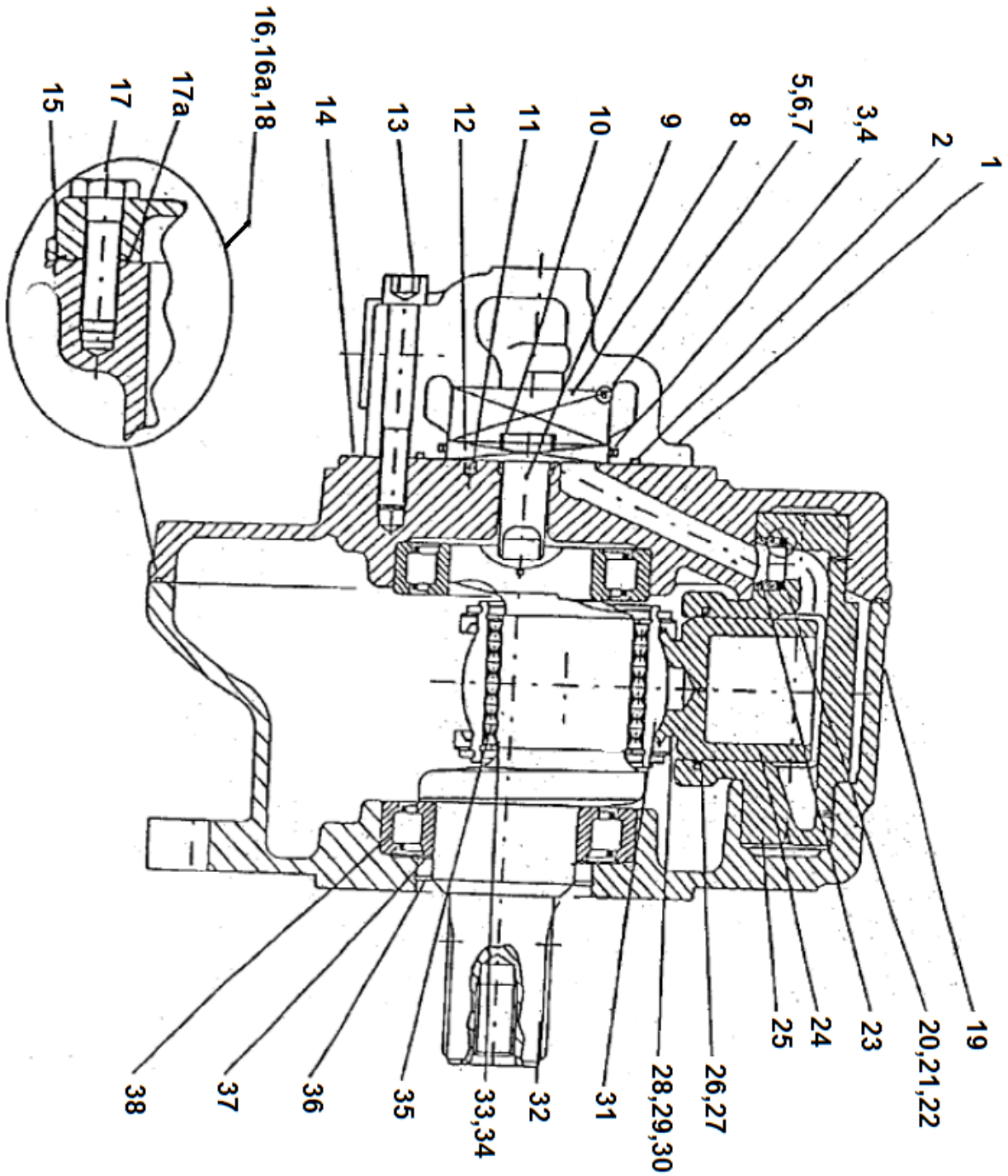
HYDRAULICS		HYD. HOSE KIT ASSY. STD. VARIANT- C7305816		
S No	Part No	Description	Qty	Remarks
1	7305735	HOSE C.V. TO H. WINCH	2	
2	7305734	HOSE C.V. TO EXTN. JACK	2	
4	7305736	HOSE RETURN HOIST WINCH.	1	
5	7308235	HOSE CONTROL VALVE TO RETURN LINE	1	
6	7305740	HOSE C.V. TO LUFF CYLINDER	2	
7	7309879	HOSE (LUFF)	2	
8	7309880	HOSE (LUFF)	2	
9	7305737	HOSE FILTER TO MANIFOLD	1	
10	7306979	HOSE PUMP TO PIPE	1	
12	7305738	HOSE MANIFOLD TO P.V.	1	
13	7305747	HOSE STEERING	1	
14	8V055113000	HOSE WINCH BRAKE RELEASE	1	
16	7305743	HOSE STEERING RETURN	1	
18	C8HA12121140	STEERING CROSS OVER HOSE	2	
19	7305745	HOSE STEERING UNIT TO STEER CYLN.	1	
20	7305744	HOSE STEERING UNIT TO STEER CYLN.	1	
21	7305741	HOSE C.V. TO P.V.	1	
22	7305746	HOSE PRIORITY VALVE TO STEERING 'P'	1	
23	7308227	RETURN LINE MANIFOLD	1	
26	822A1031000	HOSE CLAMP ASSEMBLY	5	
27	826H01200-0	HOSE ASSY.	1	



F-15

HYDRAULICS		HYD. HOSE KIT ASSY(OR VARIANT W/O DW)-2WD- C7308021		
S No	Part No	Description	Qty	Remarks
1	7305735	HOSE C.V. TO HOIST WINCH	2	
2	7305734	HOSE C.V. TO EXTENSION CLY.	2	
5	7308235	HOSE CONTROL VALVE TO RETURN LINE	1	
6	7305740	HOSE C.V. TO LUFF CYLINDERS.	2	
7	7309879	HOSE (LUFF)	2	
8	7309880	HOSE (LUFF)	2	
9	7305737	HOSE FILTER TO MANIFOLD	1	
10	7306979	HOSE PUMP TO PIPE.	1	
12	7305738	HOSE MANIFOLD TO P.V.	1	
13	7305747	HOSE STEERING	1	
14	8V055113000	HOSE WINCH BRAKE RELEASE.	1	
16	7305743	HOSE STEERING RETURN	1	
18	C8HA12121140	STEERING CROSS OVER HOSE	2	
19	7305745	HOSE STEERING.	1	
20	7305744	HOSE STEERING UNIT TO STEER CYLN.	1	
21	7305741	HOSE C.V. TO P.V.	1	
22	7305746	HOSE PRIORITY VALVE TO STEERING 'P'	1	
23	7308227	RETURN LINE MANIFOLD.	1	
26	822A1031000	HOSE CLAMP ASSEMBLY.	5	
27	7309833	HOSE O/R TO PIPE RH	2	
28	7305733	HOSE C.V. TO O/R PIPE	2	
29	7309834	HOSE O/R TO PIPE LH	2	
31	7305736	HOSE RETURN HOIST WINCH.	1	
34	826H01200-0	HOSE ASSY. STEERING	1	
35	7305732	CV TO O/R PIPE	2	

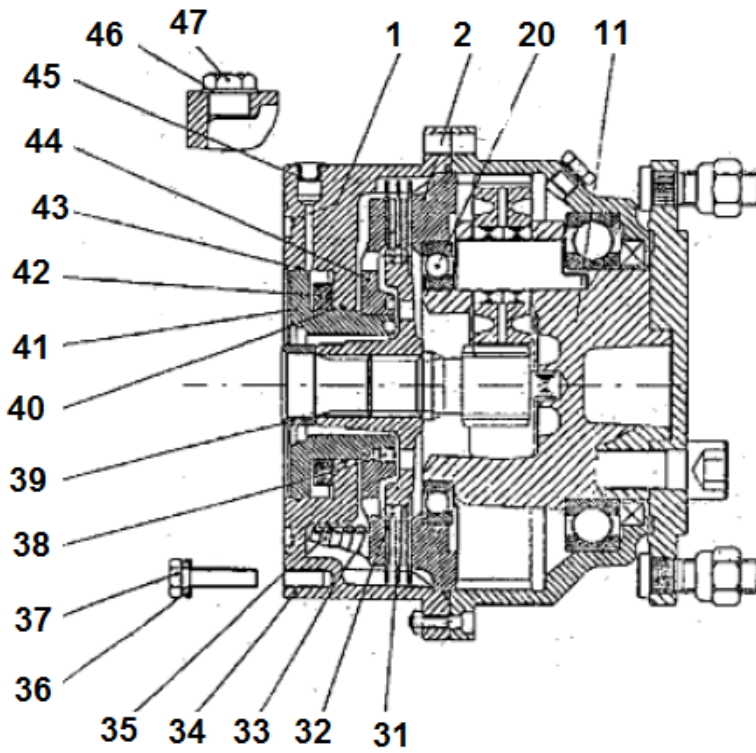
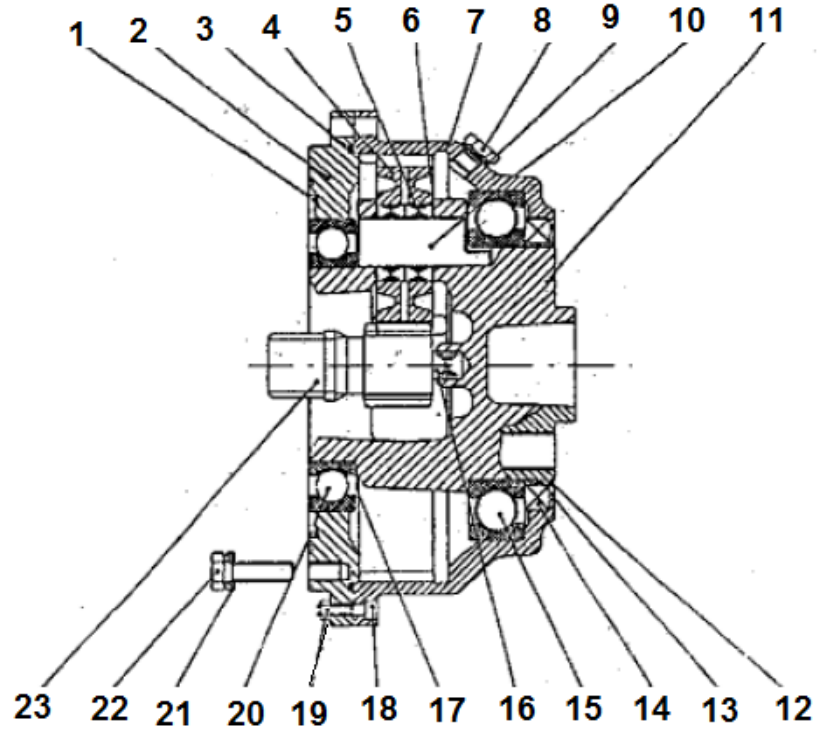
WINCH- HYDRO MOTOR



F-15

HYDRAULICS		WINCH-HYDRO MOTOR		
S No	Part No	Description	Qty	Remarks
19	PP115580.37	MOTOR BODY	1	
14	PP115580.39	MOTOR COVER	1	
28 to 35	PP115580.40	CRANK SHAFT ASSEMBLY	1	
24 to 27	PP115580.41	CYLINDER PISTON ASSEMBLY	5	
38	PP115580.42	BALL BEARING	2	
37	PP115580.43	SHAFT SEAL	1	
36	PP115580.44	SHAFT SEAL CIRCLIP	1	
15	PP115580.45	BODY COVER O RING	1	
17	PP115580.46	MAIN BOLTS	5	
17a	PP115580.47	BOLT HOLE O RING	5	
		TRUNNION SEAL		
22	PP115580.48	A) STEEL RING	5	
21	PP115580.49	B) SEAL PLASTIC	5	
20	PP115580.50	C) O RING FOR SEAL	5	
23	PP115580.51	D) STEEL SEAL	5	
18	PP115580.37	LOCATING PIN	2	
1	PP115580.52	DISTRIBUTOR COVER D51A	1	
2	PP115580.31	DIST FACE O RING	1	
4	PP115580.53	O' RING FOR I.D	1	
3	PP115580.54	SEAL PLASTIC	1	
5	PP115580.55	ROTARY VALVE AE RING	1	
6	PP115580.56	ROTARY VALVE SLIPPER	1	
7	PP115580.57	ROTARY VALVE O RING	1	
8	PP115580.58	ROTARY VALVE	1	
9	PP115580.59	DRIVE PIN DP1	1	
10	PP115580.60	LOCATING BUSH	1	
11	PP115580.37	LOCATING PIN	2	
12	PP115580.61	BRONZE DISC	1	
	NOT SHOWN IN DRG	OVER CENTRE VALVE 120 LPM	1	

WINCH-GEAR BOX

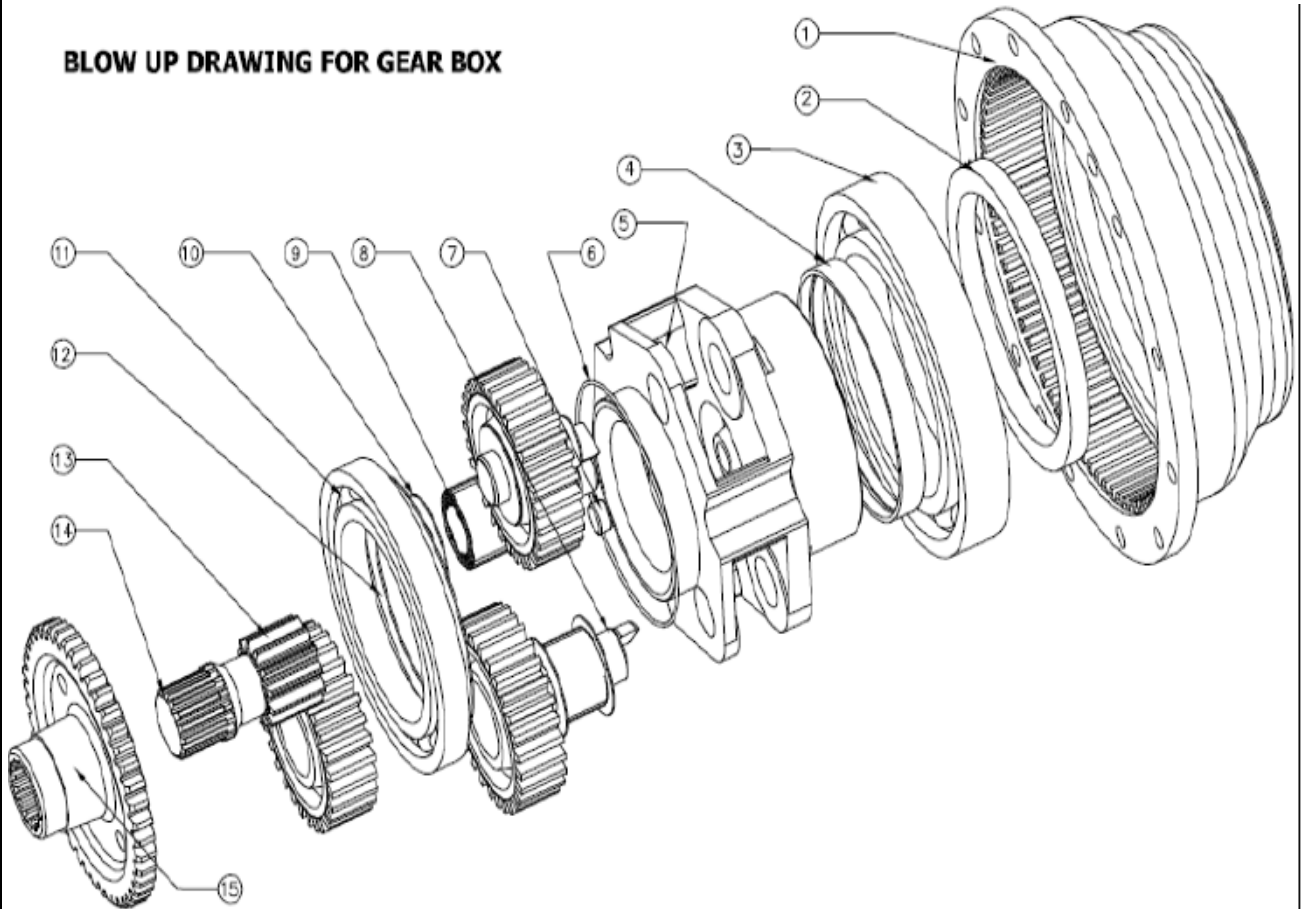


F-15

HYDRAULICS		WINCH-GEAR BOX		
S No	Part No	Description	Qty	Remarks
1	PP115580.01	O RING N2.62 OD, N171.12 ID	1	
2	PP115580.02	DISC SUPPORT FLANGE	1	
3	PP115580.03	O RING N3.53 OD,N221.84 ID	1	
4	PP115580.04	PLANETARY GEAR	3	
5	PP115580.05	ROLLER	8	
6	PP115580.06	SLIPWASHER	6	
7	PP115580.07	G/B HOUSING	1	
8	PP115580.08	1/4" OIL PLUG 4	8	
9	PP115580.09	BONDED SEA	4	
10	PP115580.10	GEAR PIN	3	
11	PP115580.11	OUTPUT SHAFT	1	
12	PP115580.12	SLIP RING	1	
13	PP115580.13	O RING N1.78 OD,N120.37 ID	1	
14	PP115580.14	SHAFT SEAL N125XN150X12	1	
15	PP115580.15	BALL BEARING	1	
16	PP115580.16	ROLLER	1	
17	PP115580.17	SPACERWASHER	1	
18	PP115580.18	SOCKET BOLT	2	
19	PP115580.19	NUT	2	
20	PP115580.20	BALL BEARING	1	
23	PP115580.21	SUN GEAR	1	
31	PP115580.22	COUNTER DISC	3	
32	PP115580.23	FRICITION DISC	2	
33	PP115580.24	DISC SUPPORT GEAR	1	
34	PP115580.25	BRAKE HOUSING	1	
35	PP115580.26	BRAKE SPRING	5	
36	PP115580.27	WASHER	5	
37	PP115580.28	H.H BOLT	5	
38	PP115580.29	GRUB SCREW	1	
39	PP115580.30	SPACERBUSHING	1	
40	PP115580.31	O RING N2.62 OD,N82.22 ID	1	
41	PP115580.32	PISTON	1	
42	PP115580.33	SPACERRING	1	
43	PP115580.34	O RING N2.62 OD,N120.32 ID	1	
44	PP115580.35	SPRING DISC	1	
45	PP115580.36	PLUG	1	

GEARBOX (PART LIST)

BLOW UP DRAWING FOR GEAR BOX

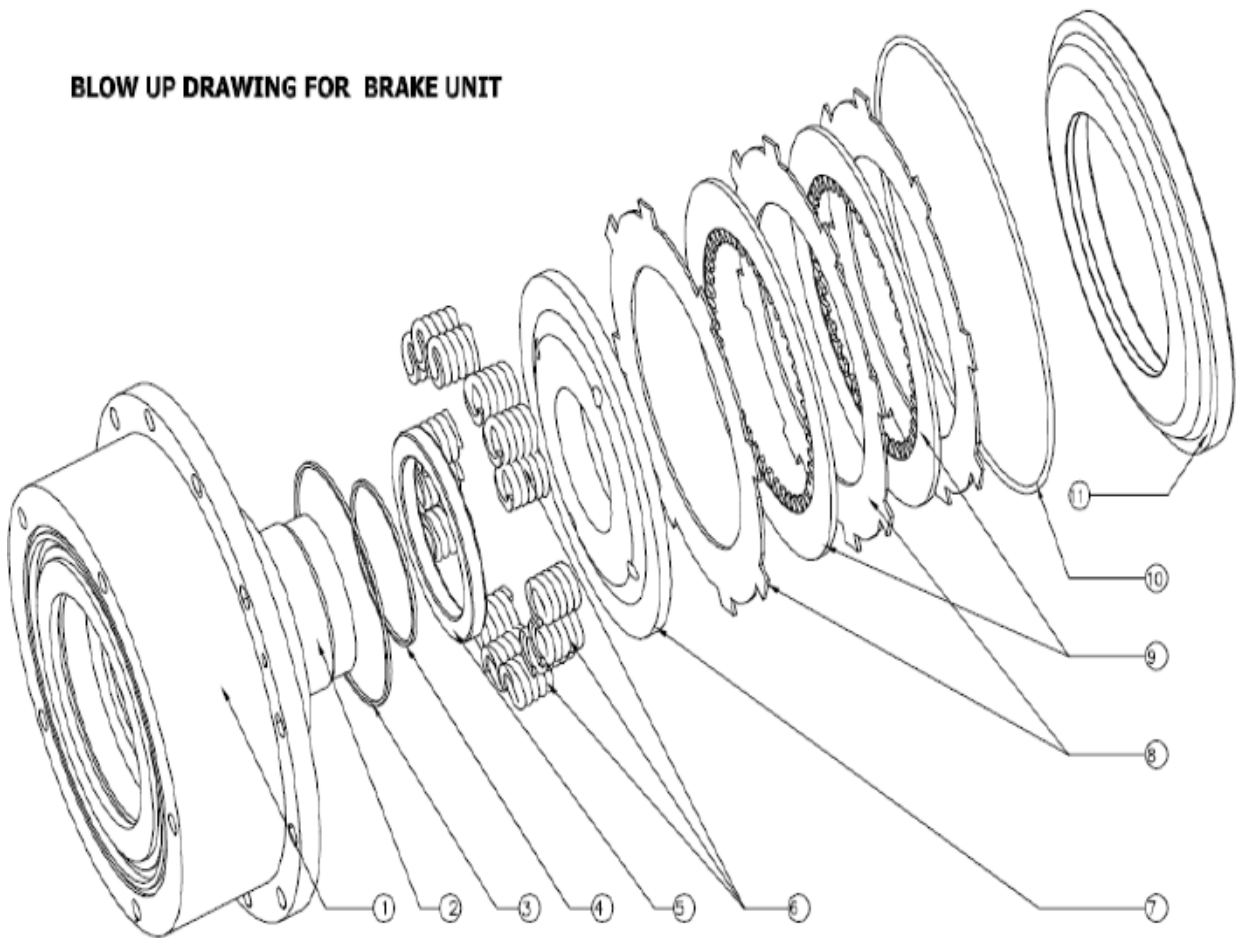


F-15

HYDRAULICS		GEARBOX (PART LIST)		
S No	Part No	Description	Qty	Remarks
1		Housing	1	
2		Shaft seal	1	
3		Ball Bearing	1	
4		Sliding ring	1	
5		Gear carrier	1	
6		Sliding O-ring	1	
7		Roller	1	
8		Pin	1	
9		Roller	1	
10		Spacer	1	
11		Ball bearing	1	
12		Spacer	1	
13		Planet gear	1	
14		Sun gear	1	
15		Disc Support Gear	1	

BRAKE (PART LIST)

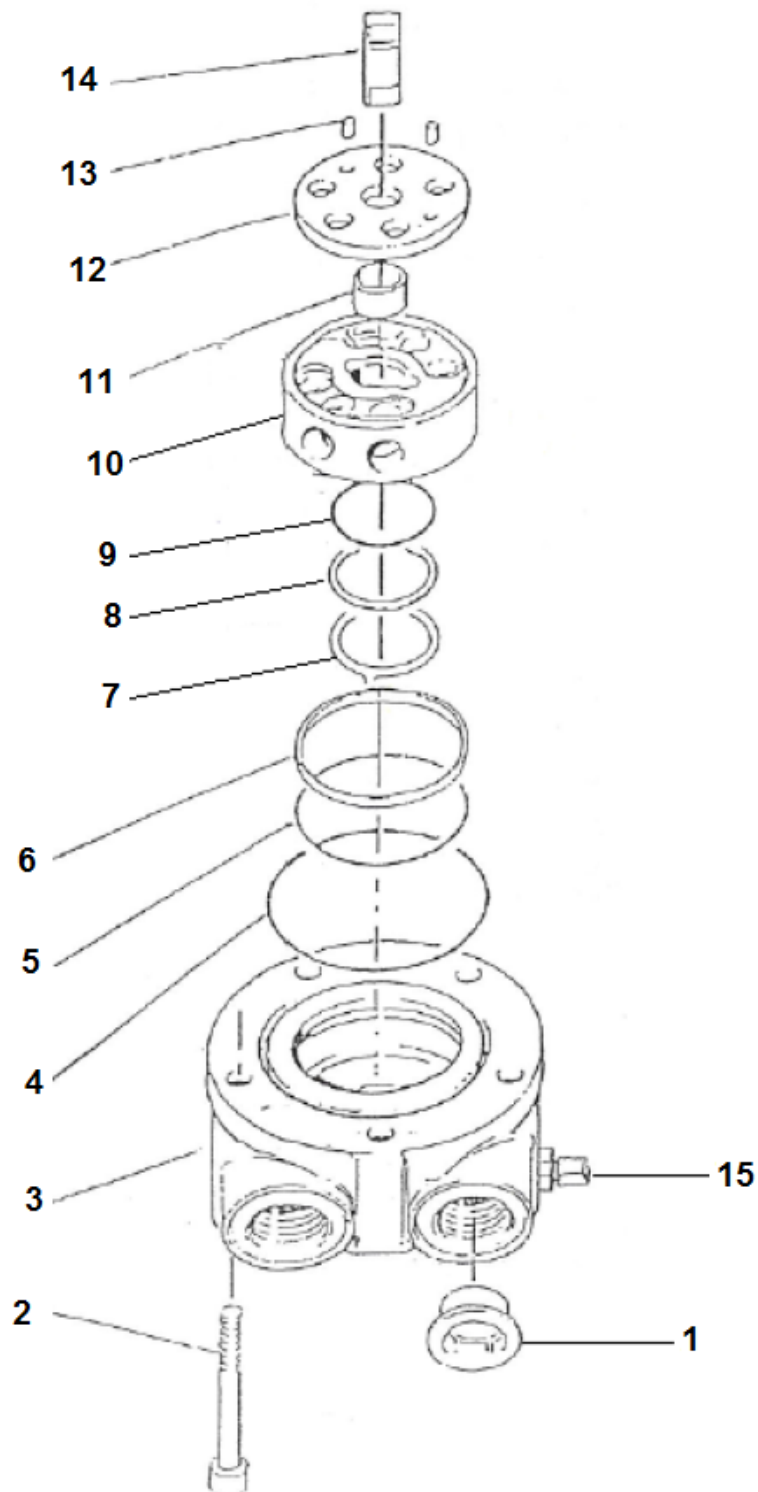
BLOW UP DRAWING FOR BRAKE UNIT



F-15

HYDRAULICS		BRAKE (PART LIST)		
S No	Part No	Description	Qty	Remarks
1		Brake housing	1	
2		Piston	1	
3		O-ring	1	
4		O-ring	1	
5		Spacer	1	
6		Springs	16	
7		Spring disc	1	
8		Counter disc	3	
9		Friction disc	2	
10		GB to brake O-ring	1	
11		Disc support flange	1	

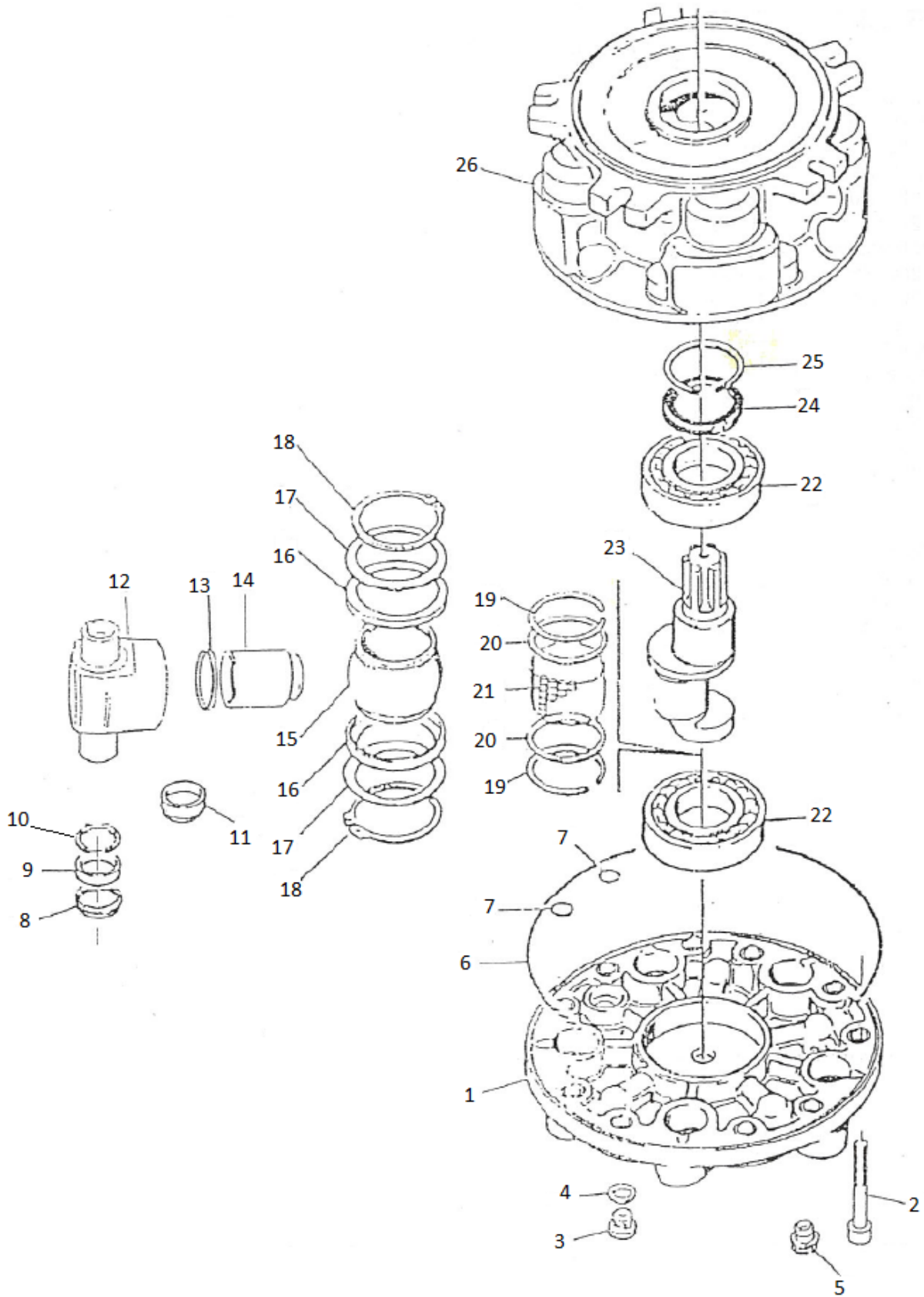
WINCH DISTRIBUTOR ASSY



F-15

HYDRAULICS		WINCH DISTRIBUTOR ASSY		
S No	Part No	Description	Qty	Remarks
1	0010023009	PLASTIC PLUG	2	
2	0010025309	BOLT	5	
3	0140050003	DISTRIBUTOR COVER	1	
4	0010012043	"O" RING	1	
5	0010012040	"O" RING	1	
6	0010038054	PLASTIC SEAL	1	
7	0140000013	STEEL ANTI EXT. RING	1	
8	0010038063	PLASTIC SEAL	1	
9	0010012256	"O" RING SEAL	1	
10	0140003007	ROTARY DIST.	1	
11	0140000012	BUSH	1	
12	0140000250	BRONZE DISC	1	
13	0010020048	LOCATING PINS	2	
14	0106102109	DIST. DRIVE PIN	1	
15	0010039003	CARTRIDGE	1	
-	D50	DISTRIBUTOR ASSY	1	
-	SSY-2276.000	SEAL KIT DISTRIBUTOR	1	
-	SSY-2277.000	SEAL KIT ROTARY VALVE	1	

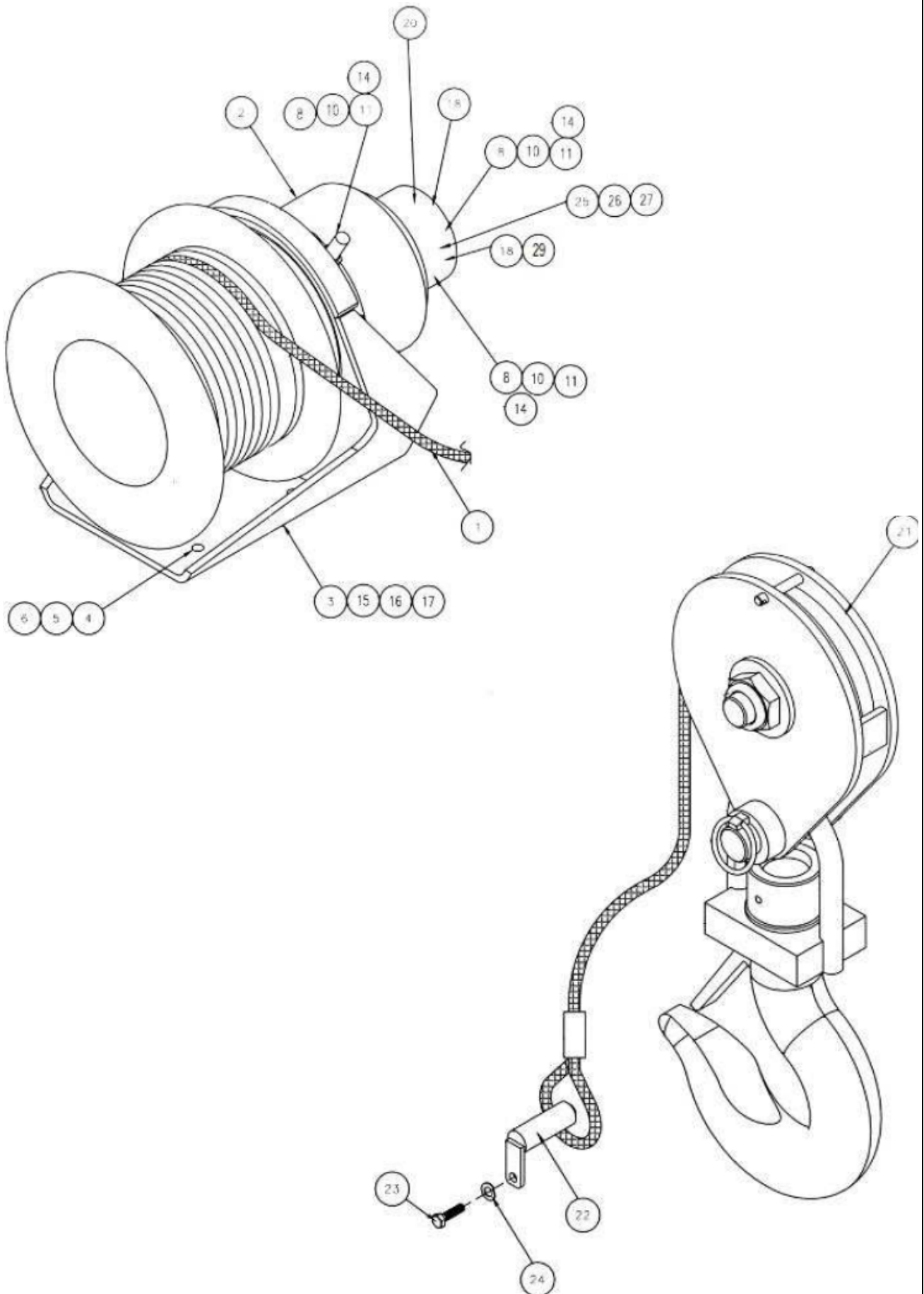
HYDRAULIC MOTOR



F-15

HYDRAULICS		HYDRAULIC MOTOR		
S No	Part No	Description	Qty	Remarks
1	0106123192	MOTOR COVER ASSY	1	
2	0010025243	HEX HD BOLT	10	
3	0010023051	DRAIN PLUG	1	
4	0010018018	WASHER	2	
5	0010023064	PLASTIC PLUG	1	
6	0010012026	COVER BODY "O" RING	1	
7	010012026	BOLT HOLE "O" RING	10	
8	0010312200	TRUNNION SEALS	10	
9	0106111212	LOWER BUSH	10	
10	010001102	CIRCLIP	10	
11	0106110212	UPPER BUSH LARGE	10	
12	0126120205	CYLINDER	5	
13	0010038001	CYLINDER SEAL	5	
14	0126120106	PISTON	5	
15	0106120210	SPHERICAL SUPPORT RING	1	
16	0106102211	RETAINING RING	2	
17	0106100220	RETAINING SPRING	2	
18	0010001013	EXTERNAL CIRCLIP	2	
19	0010001013	INTERNAL CIRCLIP	2	
20	0010318065	SPACER RING	2	
21	0010020026	ROLLER	84	
22	0010007033	SHAFT	2	
23	0106102204	MALE SHAFT	1	
24	0010002066	SHAFT SEAL	1	
25	0010001066	CIRCLIP	1	
26	0106125191	MOTOR BODY ASSY	1	

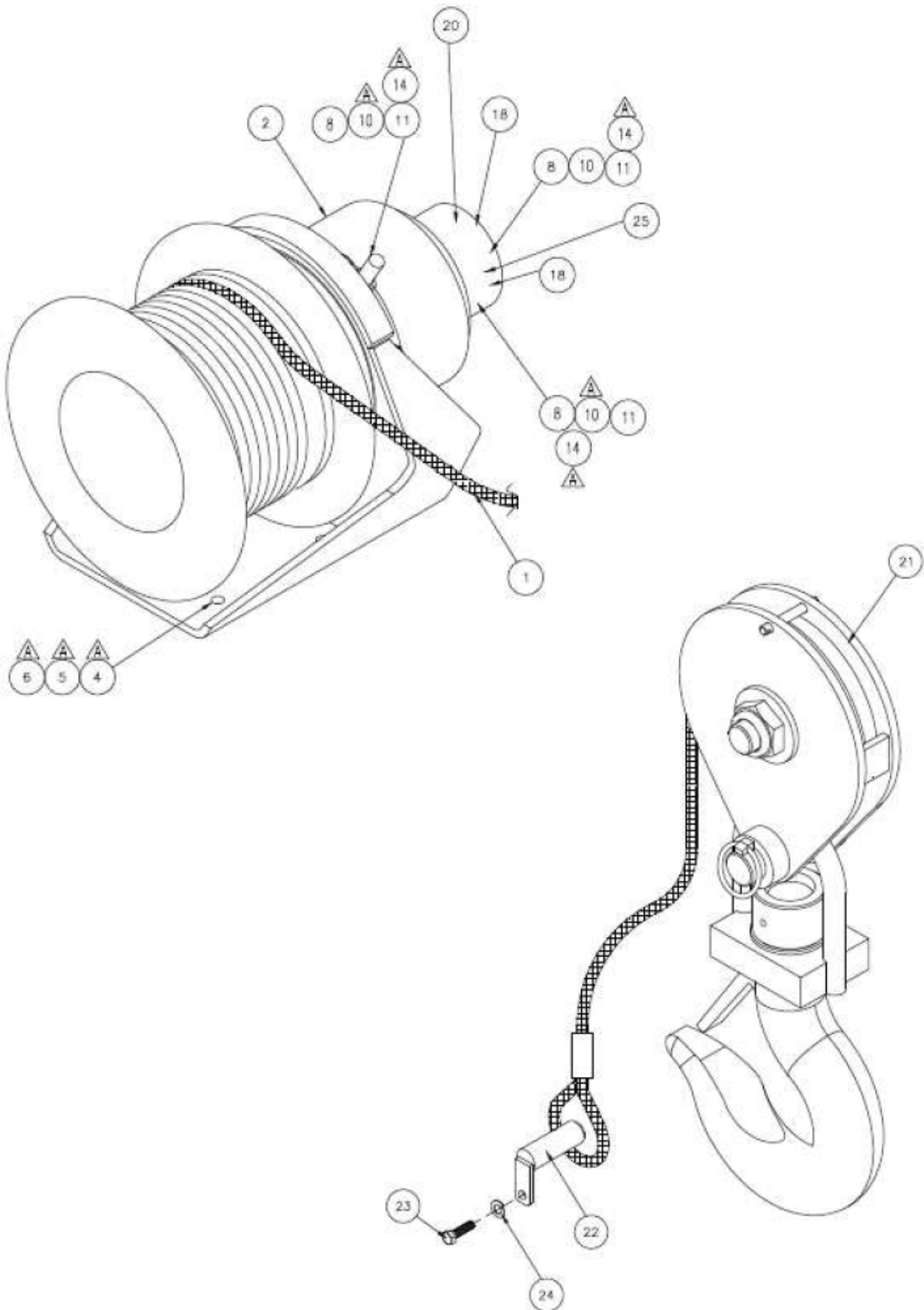
WINCH ASSY DRAGGING (SAI WINCH) – C7312248



F-15

HYDRAULICS		WINCH ASSY DRAGGING (SAI WINCH) – C7312248		
S No	Part No	Description	Qty	Remarks
1	41-C-1-031B	ROPE WINCH (DRAGGING)	1	
2	8PP11558000	WINCH (SAI-GA-15T-M2-F)	1	
3	841F1038A00	WINCH FRAME FABRICATION	1	
4	9100157	BOLT HEX M14 X 2P X 30 GR 8.8 ZP	6	
5	9100159	WASHER M14 M910850 9528-030	6	
6	9100158	SPRING WASHER M14	6	
8	8T540000170	BANJO BOLT M14X1.5	3	
10	9100099	COPPER WASHER	6	
11	8V175401810	ADOPTER	1	
14	8G956010010	DOWTY SEAL 1/4"BSP	3	
15	9100044	SPRING WASHER M10	12	
16	9100076	HEX. NUT M10	12	
17	9100217	HEX. BOLT M10x55	12	
18	8G956010050	DOWTY SEAL 1"BSP	3	
20	8G956010050	DOWTY SEAL 1/2"BSP	3	
21	7310063	PULLY BLOCK ASSEMBLY	1	
22	26-M-3-022 A	PIN	1	
23	9100061	BOLT HEX.	1	
24	9100046	WASHER SPRING	1	
25	9101452	ELBOW	2	
26	826M3064A00	ADOPTER	1	
27	8X223400300	"ADAPTOR(1/4""BSP X 9/16""JIC M)"	1	
28	7310131	ROLLER ASSEMBLY(REAR BODY)	1	
29	8V055113000	HOSE WINCH BRAKE RELEASE	1	

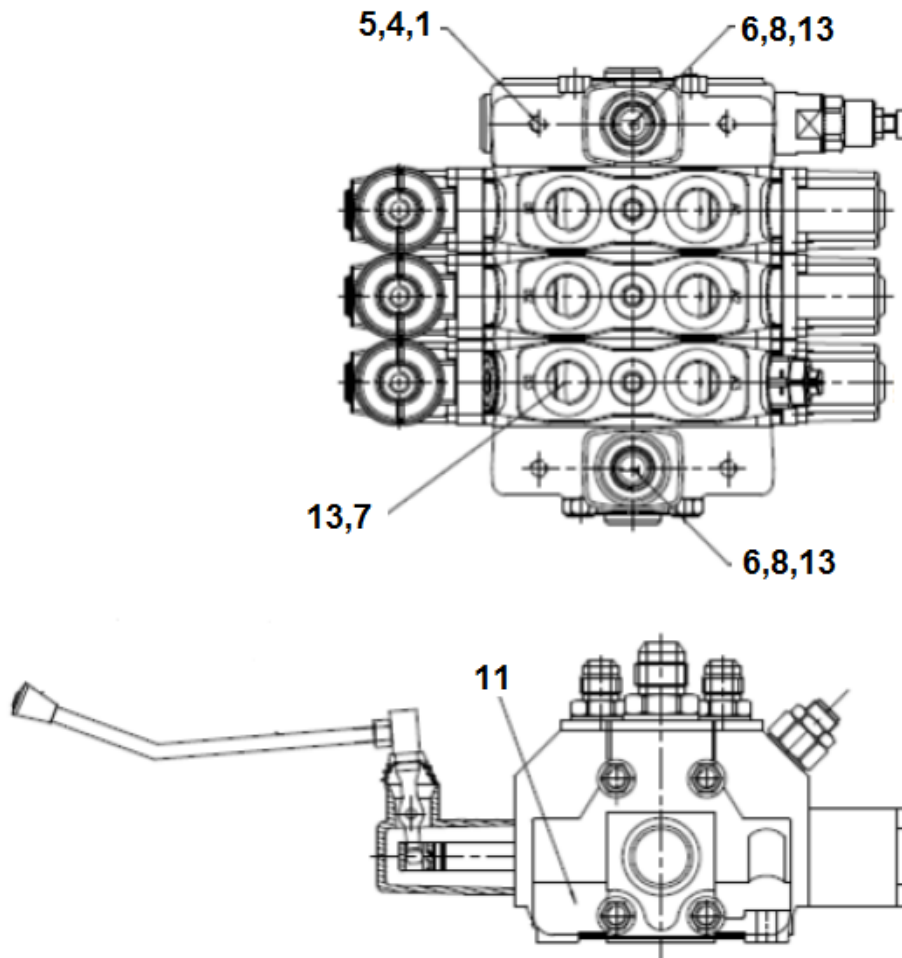
WINCH DRAGGING ASSY (DINAMIC WINCH) – C7312248



F-15

HYDRAULICS		WINCH DRAGGING ASSY (DINAMIC WINCH) – C7312248		
S No	Part No	Description	Qty	Remarks
1	41-C-1-031B	ROPE WINCH (DRAGGING)	1	
2	C7311809	WINCH DINAMIC OIL	1	
4	C9100288	HEXAGON HEAD SCREW -M16X55-10.9	4	
5	C9100106	PUNCHED WASHER A18 IS: 2016-STEEL	4	
6	C9100092	SPRING LOCK WASHER A16	4	
8	8T540000170	BANJO BOLT M14X1.5	3	
10	9100099	COPPER WASHER	2	
11	8V175401810	ADOPTER	1	
14	8G956010010	DOWTY SEAL 1/4"BSP	1	
18	8G956010050	DOWTY SEAL 1"BSP	3	
20	8G956010050	DOWTY SEAL 1/2"BSP	3	
21	7310063	PULLY BLOCK ASSEMBLY	1	
22	26-M-3-022 A	PIN	1	
23	9100061	BOLT HEX.	1	
24	9100046	WASHER SPRING	1	
25	9101452	ELBOW	2	
28	7310131	ROLLER ASSEMBLY(REAR BODY)	1	

VALVE BANK ASSY

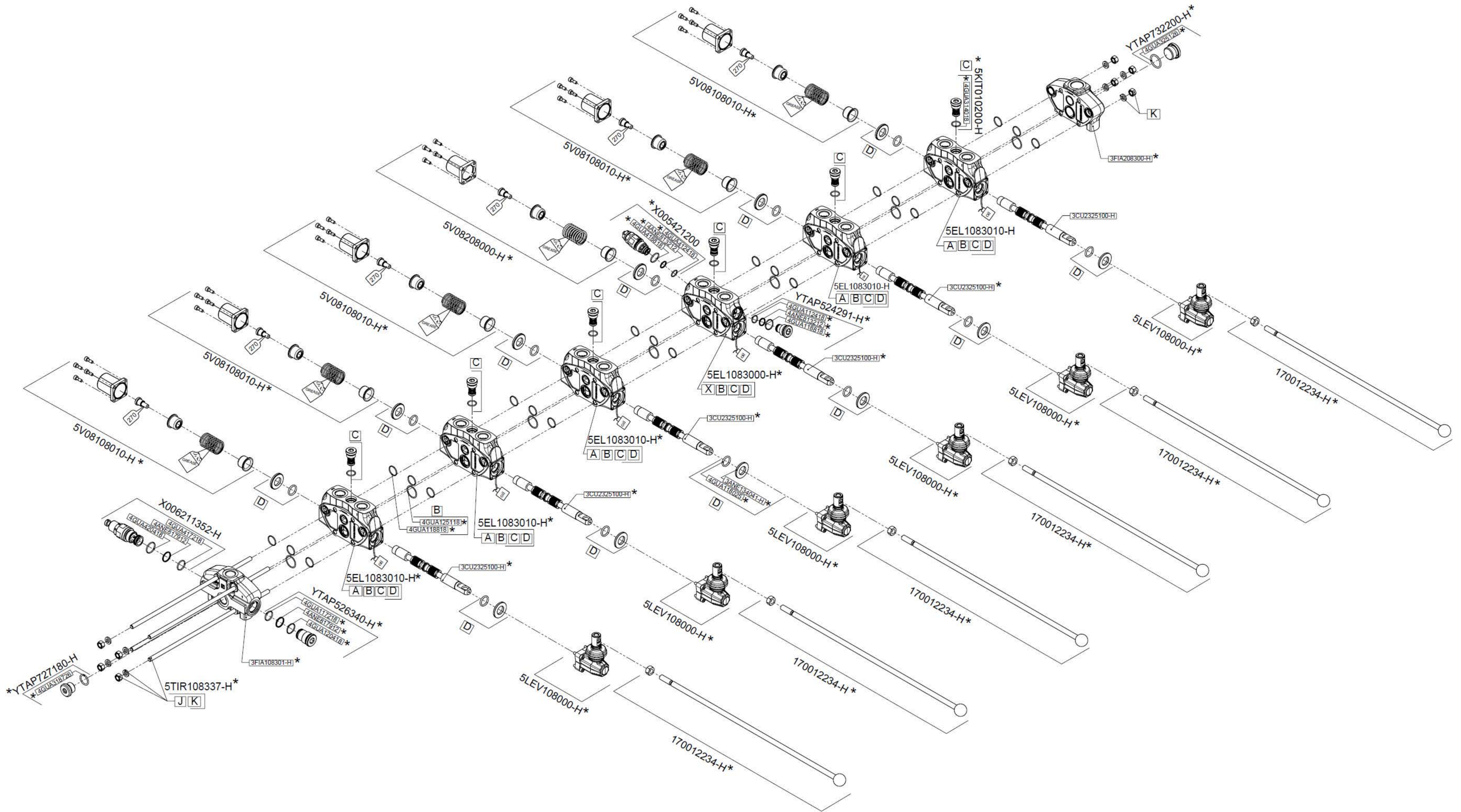


F-15

HYDRAULICS		VALVE BANK ASSY		
S No	Part No	Description	Qty	Remarks
1	8MBH08C2083	BOLT HEX M8 x 40 GR 8.8 ZP	4	
4	8MWP0800003	WASHER PLAIN- M8-DULY ZN PASSIVATED	4	
5	8MWS0800000	WASHER SPRING M8	4	
6	8PP10085000	ADAPTOR 3/4"BSP X 1.1/16"M JIC	2	
7	8PP10029000	ADAPTOR 3/4"BSP X 7/8" JIC	6	
8	8PP10016000	ELBOW(1 1/16" JIC M X 1 1/16" JIC F SWIVEL)	2	
11	822B2002A00	CONTROL VALVE 3 SPOOL	1	
13	8G956010070	DOWTY SEAL / 'O' RING 3/4" BSP	8	

F-15

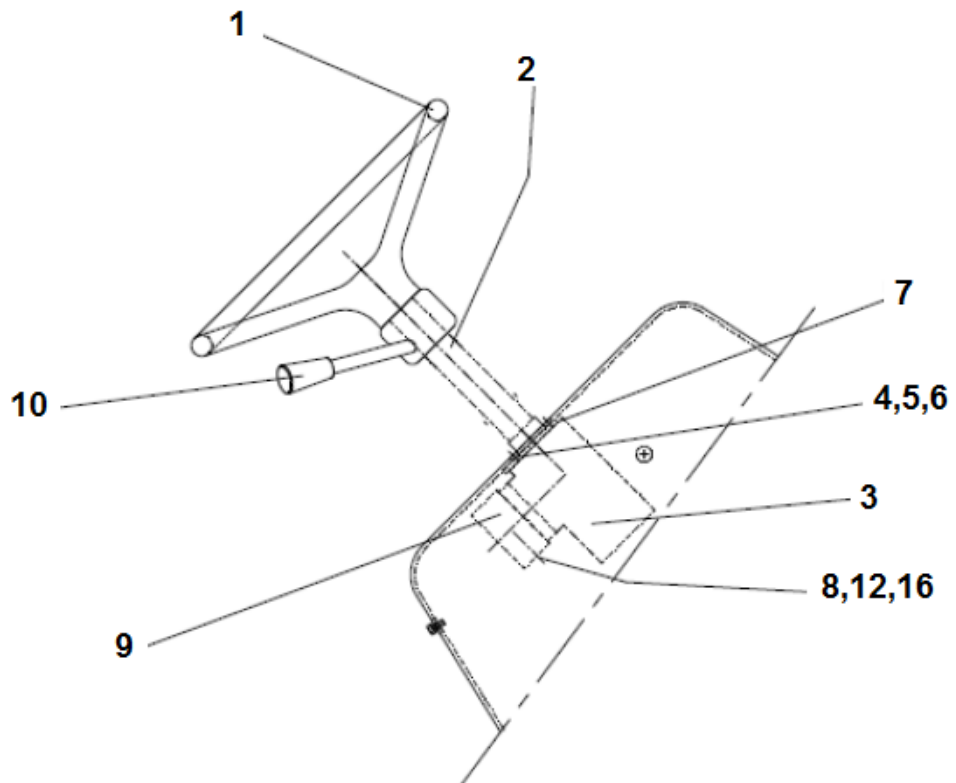
HYDRAULICS		CONTROL VALVE-3 SPOOL		
S No	Part No	Description	Qty	Remarks
1	170012234-H	KIT LEVER 5E-F15 ASSY	3	NS
2		SPOOL 2/SD8	3	NS
3		SD8/FE-BSP INLET COVER	1	NS
4		SD8/FS-BSP OUTLET COVER	1	NS
5		ELEMENT SD8/PH-BSP	1	NS
6		ELEMENT SD8/Q-BSP	2	NS
7		VR10-90SH KIT -SD8	3	NS
8		L/S8 LEVER KIT	3	NS
9		TIE ROD SD8/3 -M8x214 (Spring Washer)	1	NS
10		8 CONTROL KIT /S8	2	NS
11		CONTROL KIT 8MC/SD8-SDM140	1	NS
12	X005421200	AUXILLIARY RELIEF VALVE	1	
13	X006211352-H	MAIN RELIEF VALVE	1	
14		PLUG P3T/SD8 NBR	1	NS
15		SV/VMP10-VMP150 PLUG NBR	1	NS
16		HEX. SOC HEAD PLUG, BSP 1/2 NBR	1	NS
17		HSH PLUG 3/4 WITH NBR O-RING	1	NS
		O – RING SEALS		
1		SPACER 18x34x4 - ALUMINIUM- SD8	6	NS
2		13,16X1,35 (8-014) PARBAK	2	NS
3		(8-017) 17.91X1.35 PARBAK	2	NS
4		OR 2050 12,42x1,78 NBR 70 SH	1	NS
5		+OR 2068 17,17x1,78 NBR 70 SH	1	NS
6		+OR 17,93x2,46 Parker 3-909 N674-70	6	NS
7		18.77 x 1.78 O-RING NBR 70SH	14	NS
8		20.35X1.78 NBR 70 SH O-RING SEAL	1	NS
9		25.12X1.78 NBR 70 SH O-RING SEAL	4	NS
10		@OR 2056 14x1,78 NBR 90 SH	3	NS
11		18.72X2.62 O-RING NBR 90 SH	1	NS
12		25.07X2.62 NBR 90 SH O-RING SEAL	1	NS
13		OR 2050 12.42X1.78 VITON 75SH (AR-TEX	1	NS
14		@*OR 2068 17,17X1,78 VITON 75 SH	1	NS
15		OR 20.35X1.78 VITON 75 SH	1	NS
16	SF4CK300000	SEAL KIT	1	



F-15

HYDRAULICS		CONTROL VALVE-6 SPOOL		
S No	Part No	Description	Qty	Remarks
1	170012234-H	KIT LEVER 5E-F15 ASSY	6	
2		SPOOL 2/SD8	6	NS
3		SD8/FE-BSP INLET COVER	1	NS
4		SD8/FS-BSP OUTLET COVER	1	NS
5		ELEMENT SD8/PH-BSP	1	NS
6		ELEMENT SD8/Q-BSP	5	NS
7		VR10-90SH KIT -SD8	6	NS
8		L/S8 LEVER KIT	6	NS
9		TIE ROD SD8/3 -M8x214 (Spring Washer)	1	NS
10		8 CONTROL KIT /S8	5	NS
11		CONTROL KIT 8MC/SD8-SDM140	1	NS
12	X005421200	AUXILLIARY RELIEF VALVE	1	
13	X006211352-H	MAIN RELIEF VALVE	1	
14		PLUG P3T/SD8 NBR	1	NS
15		SV/VMP10-VMP150 PLUG NBR	1	NS
16		HEX. SOC HEAD PLUG, BSP 1/2 NBR	1	NS
17		HSH PLUG 3/4 WITH NBR O-RING	1	NS
		O – RING SEALS		
1		SPACER 18x34x4 - ALUMINIUM- SD8	12	NS
2		13,16X1,35 (8-014) PARBAK	2	NS
3		(8-017) 17.91X1.35 PARBAK	2	NS
4		OR 2050 12,42x1,78 NBR 70 SH	1	NS
5		+OR 2068 17,17x1,78 NBR 70 SH	1	NS
6		+OR 17,93x2,46 Parker 3-909 N674-70	12	NS
7		18.77 x 1.78 O-RING NBR 70SH	23	NS
8		20.35X1.78 NBR 70 SH O-RING SEAL	2	NS
9		25.12X1.78 NBR 70 SH O-RING SEAL	7	NS
10		@OR 2056 14x1,78 NBR 90 SH	6	NS
11		18.72X2.62 O-RING NBR 90 SH	1	NS
12		25.07X2.62 NBR 90 SH O-RING SEAL	1	NS
13		OR 2050 12.42X1.78 VITON 75SH (AR-TEX	1	NS
14		@*OR 2068 17,17X1,78 VITON 75 SH	1	NS
15		OR 20.35X1.78 VITON 75 SH	1	NS
16		OR 18.77X1.78 VITON 75 SH	1	NS
17	SF4CK300000	SEAL KIT	1	

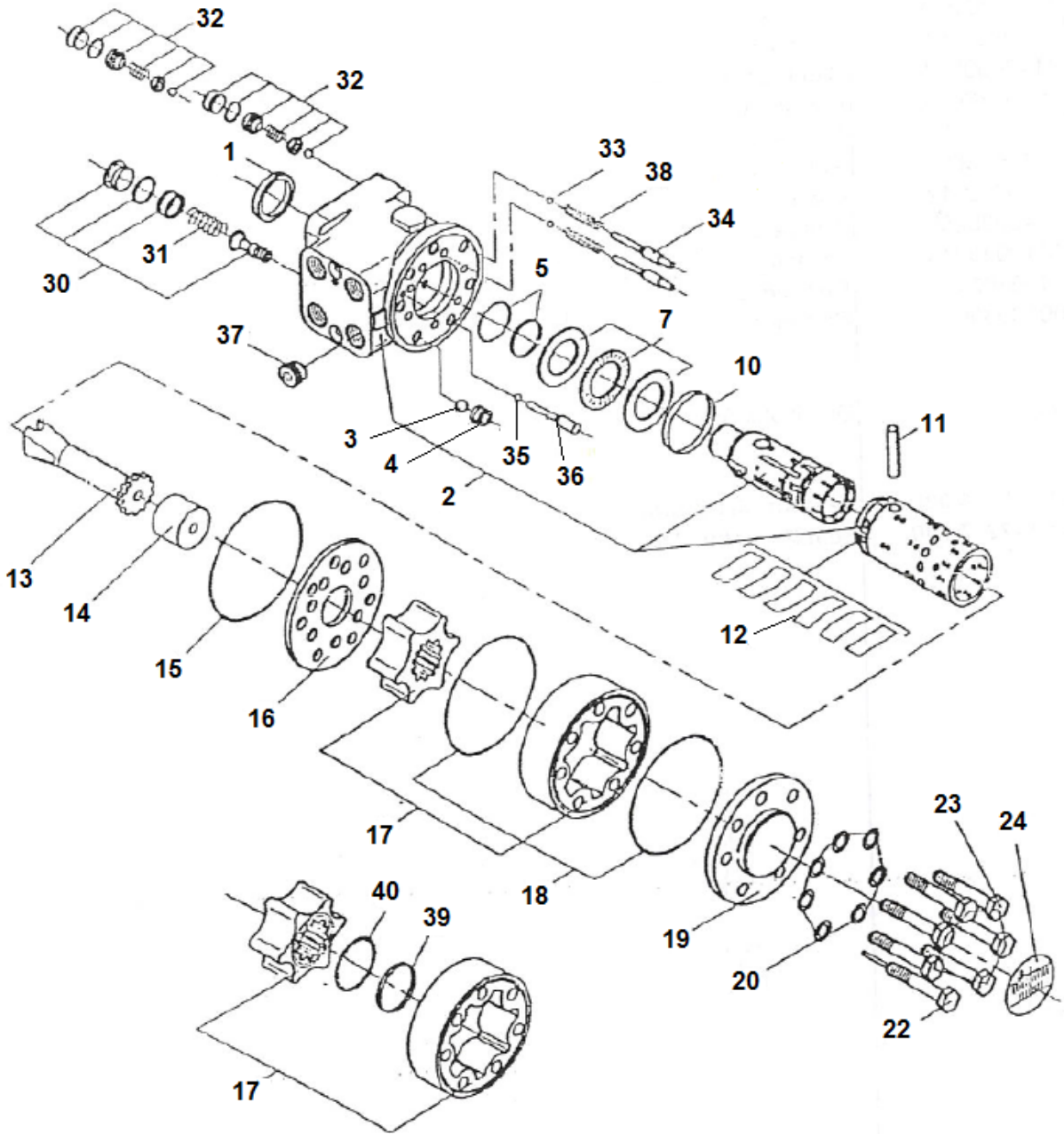
ORBITROL ASSY



F-15

HYDRAULICS		ORBITROL ASSY		
S No	Part No	Description	Qty	Remarks
1	8PP10087000	"STEERING WHEEL 16""-7/8x36h	1	
2	8PP11745000	STEERING COLOUMN (MODEL-OTBP-150)	1	
3	8PP10164000	STEERING UNIT-OSPB-315LS 0N(150)	1	
4	8IBH06C2160	BOLT HEX. 3/8"UNC X 2" 8.8G	4	
5	8IWP0600000	WASHER PLAIN(3/8")GR 8	4	
6	8IWS0600003	SPRING WASHER (3/8")ZP	4	
7	826P20140-0	SPACER STEERING COLUMN	1	
9	8PP10264000	ADOPTER 7/8" JIC M x 3/4" UNO M	4	
10	8PP10839000	COMBINATION SWITCH	1	
12	8PP100620000	ELBOW - 7/16"MJIC x7/16" M UNO	1	
16	8PP102650000	ELBOW 7/8"JIC M x 7/8" JIC F SWIVEL 45 DEG.	4	

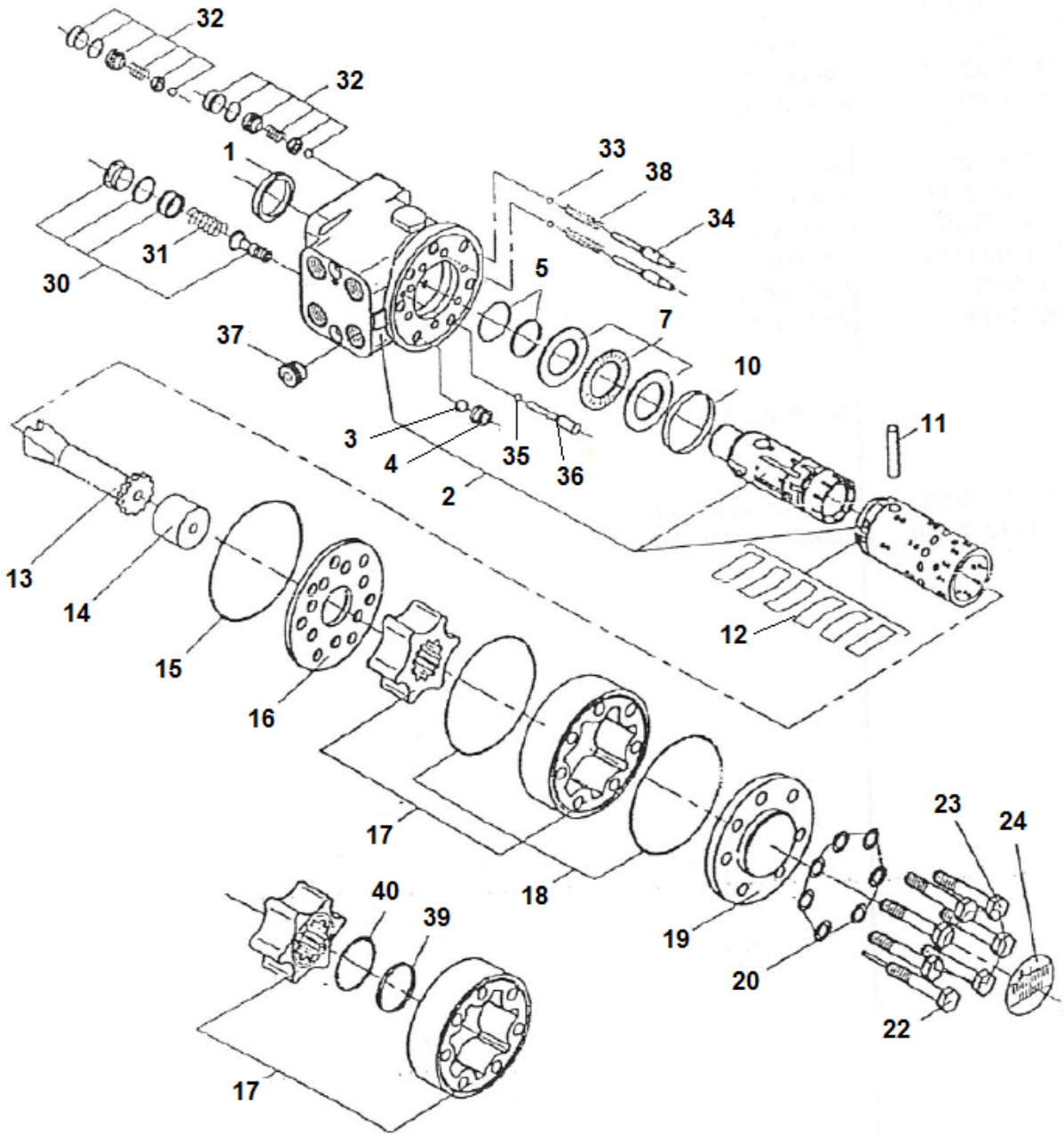
STEERING UNIT



F-15

HYDRAULICS		STEERING UNIT		
S No	Part No	Description	Qty	Remarks
1		DUST SEAL RING	1	
2		HOUSING SPOOL AND SLEEVE	1	
3		BALL	1	
4		THREAD BUSHING	1	
5		SHAFT SEAL	1	
		O RING	1	
		LIP SEAL	1	
7		BEARING	1	
10		RING	1	
11		CROSS PIN	1	
12		SET OF SPRINGS	1	
			1	
			1	
			1	
			1	
			1	
			1	
			1	
			1	
			1	
			1	
13		CARDAN SHAFT	1	
			1	
			1	
14		SPACER	1	
15		O RING	1	
16		DISTRIBUTOR PLATE	1	
			1	
17		GEARWHEEL SET	1	
			1	
18		O RING	2	
			6	
19		END COVER	1	
			1	
20		WASHER	1	
22		SPECIAL SCREW	1	
23		SCREW	6	
24		NAME PLATE	1	
26		SPACER	1	
27		INTERMEDIATE PLATE	1	
30		RELIEF VALVE	1	
		OPEN CENTER	1	
		LS	1	
		OPEN CENTER 7,2	1	
		OSPQ	1	
31		OPEN CENTER	1	
		OPEN CENTER	1	
		OPEN CENTER	1	

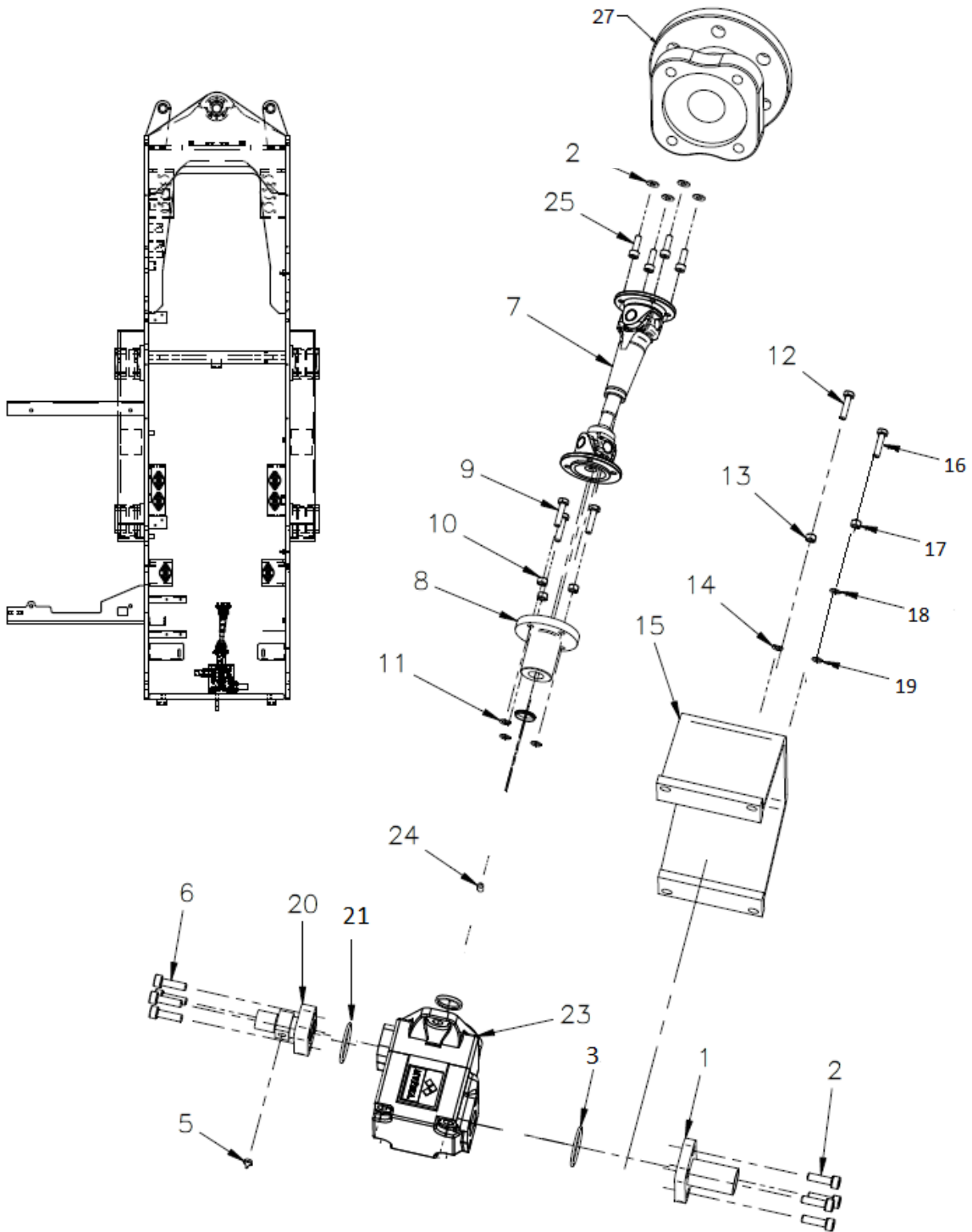
STEERING UNIT



F-15

HYDRAULICS		STEERING UNIT		
S No	Part No	Description	Qty	Remarks
32		COMPLETE SHOCK VALVE	1	
33		BALL	2	
34		PIN FOR SUCTION VALVE	2	
		PIN FOR SUCTION VALVE (OSPD)	2	
35		LS CHECK VALVE,SCREW	1	
		LS CHECK VALVE,SCREW (OSPD)	1	
36		LS CHECK VALVE,BALL 3.0MM	1	
		LS CHECK VALVE,BALL (OSPD)	1	
37		CHECK VALVE-M18X1.5	1	
		CHECK VALLVE-3/4-16UNF	1	
		CHECK VALVE	1	
		CHECK VALVE M22X1.5	1	
38		SPRING FOR SUCTION VALVE	2	
39		SEAL RING	1	
40		O RING	1	
51		CARDAN SHAFT	1	
52		DISTRIBUTOR PLATE	1	
53		DISTRIBUTOR PLATE	1	
54		VALVE AND VALVE HOUSING	1	
55		SPRING	1	
56		GUIDE PIN	1	
60		AMPLIFICATION SPOOL	1	
61		SPRING	1	
62		PLUG	1	
63		AMPLIFICATION OFFICE		
64	SPY.21.21.000	SEAL KIT	1	

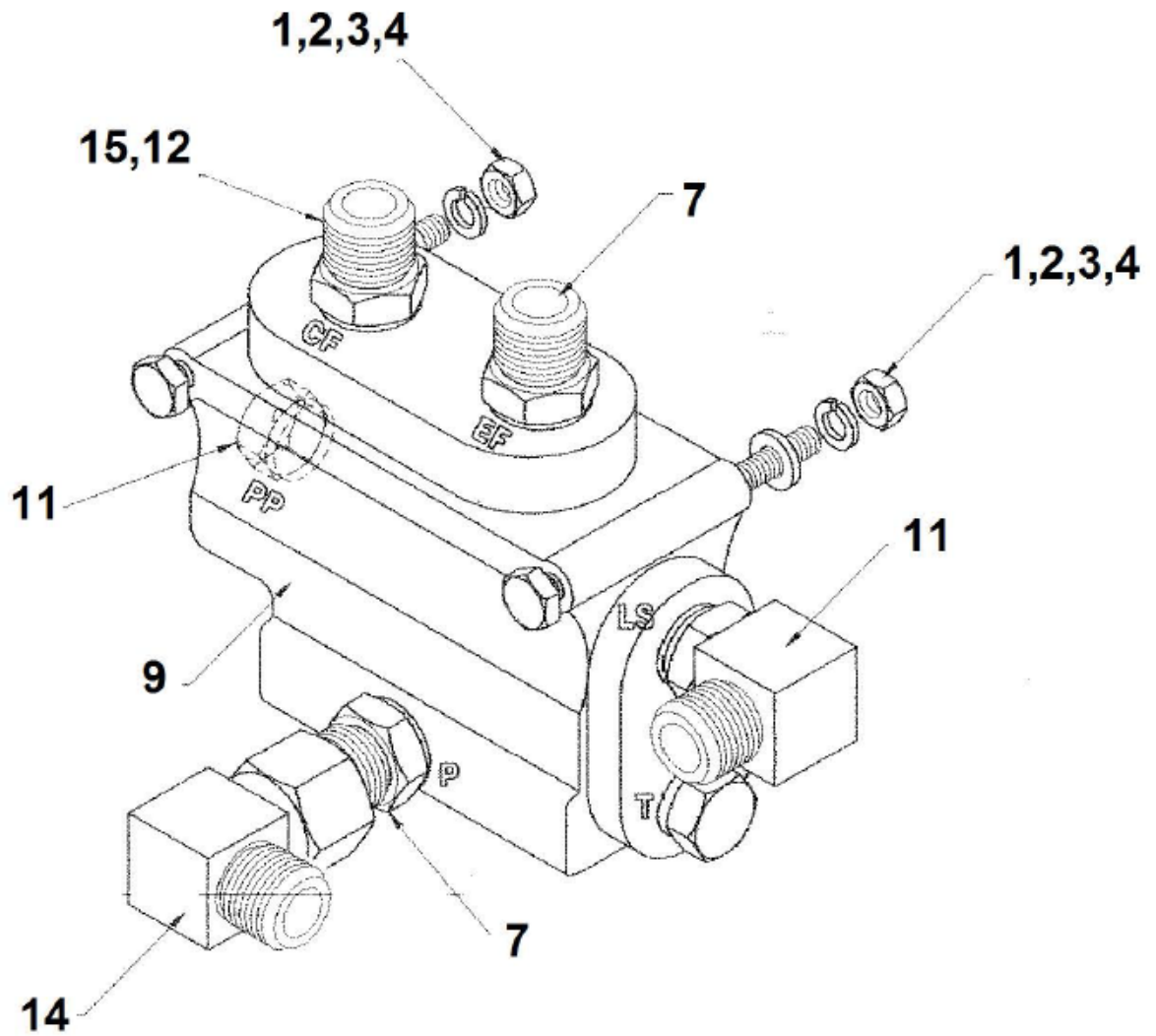
HYDRAULIC PUMP



F-15

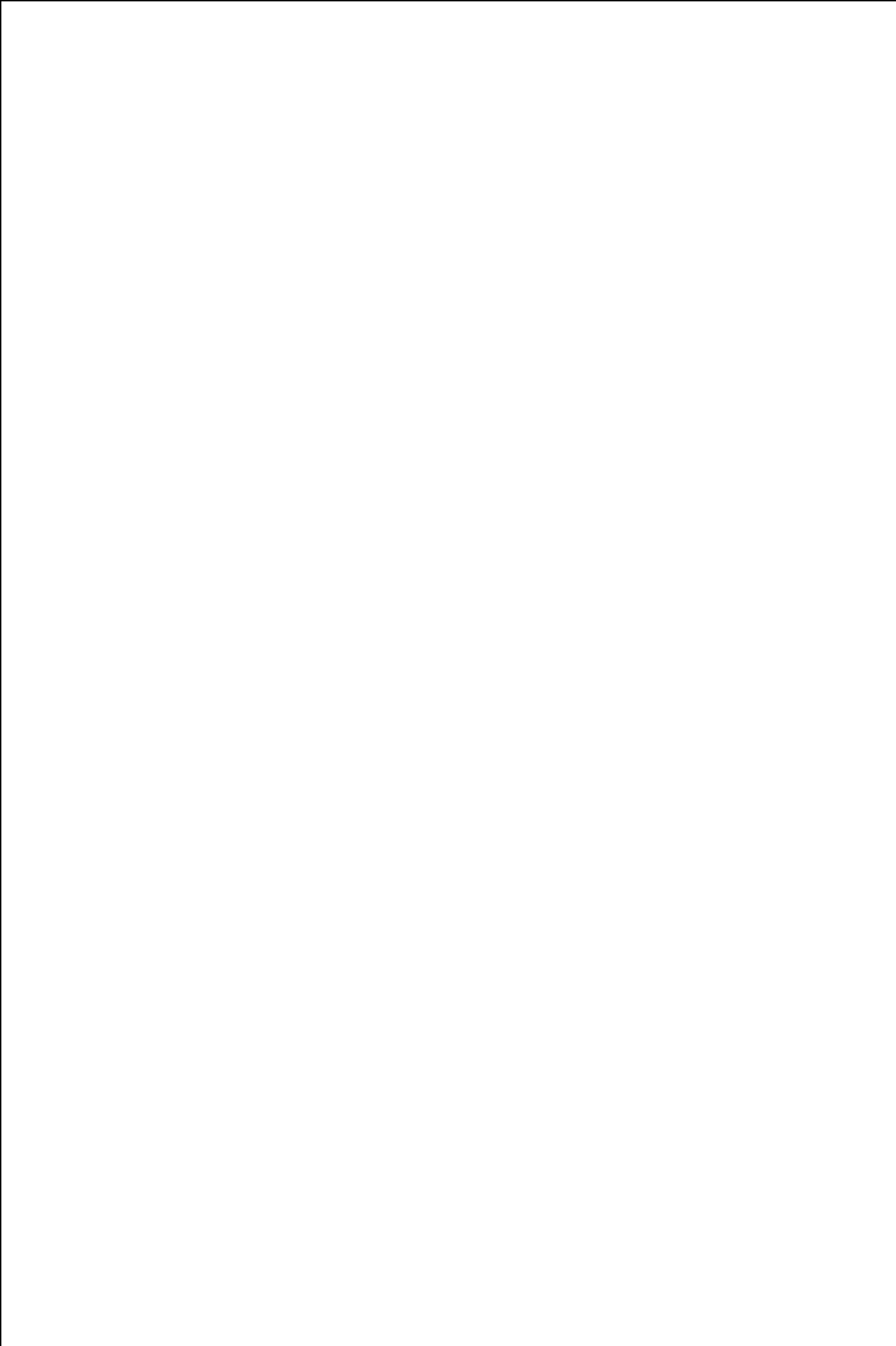
HYDRAULICS		HYDRAULIC PUMP		
S No	Part No	Description	Qty	Remarks
1	822C2032A00	FLANGE- SUCTION ASSY	1	
2	8MSA12C0070	SCREW ALLEN- M12X 35-12.9G	4	
	8V184500700	SCREW ALLEN-1/2" UNC x 1-1/4" LONG	4	
3	8V184503000	'O' RING PUMP INLET	1	
5	8D910162000	MEASURING NIPPLE	1	
6	8V194515300	SCREW ALLEN(M10X35)	4	
	8V184500800	SCREW ALLEN-3/8" UNC x 1-1/2" LONG	4	
7	7303794	PROPELLER SHAFT	1	
8	7302938	ADOPTER PUMP	1	
9	8MSH08C2070	SCREW HEX.-M8X35,8.8G	4	
10	8MNH08C2000	NUT HEX.,M8,8.8G IS:1367	4	
11	8MWS0800000	WASHER SPRING M8 (IS:3063)	8	
12	8MSH12C2070	SCREW HEX.-M12X30,8.8G-ZPY,IS:1364	4	
13	8MNH12C2000	NUT HEX.,M12,8.8G IS:1367	4	
14	8MWS1200000	WASHER SPRING M12 (IS:3063)	4	
15	822F2044A00	PUMP MTG. BKT.	1	
16	8MSH14C2080	SCREW HEX.M14X40,8.8G,IS:1364(PART2)	4	
17	8MNH14C2000	NUT HEX-M14,8.8G	4	
18	8MWS1400000	WASHER SPRING M14 ZP	4	
19	8MWP1400000	WASHER PLAIN-M14, IS:2016	4	
20	8V194510920	FLANGE PUMP OUTLET	1	
21	8V184500600	O-RING (PUMP OUTLET)	1	
23	8V193280210	HYDRAULIC PUMP(T6C-014-2L00-B1)	1	
24	8M850985100	GRUB SCREW-M8x15	1	
25	9100318	HEXAGON SOCKET HEAD CAP SCREW ISO 4762 - M8X25-12.9	4	
26	9100062	PUNCHED WASHER 9 A IS:2016-1967-STEEL	8	
27	7304054	ADAPTER	1	

PRIORITY VAVE ASSY



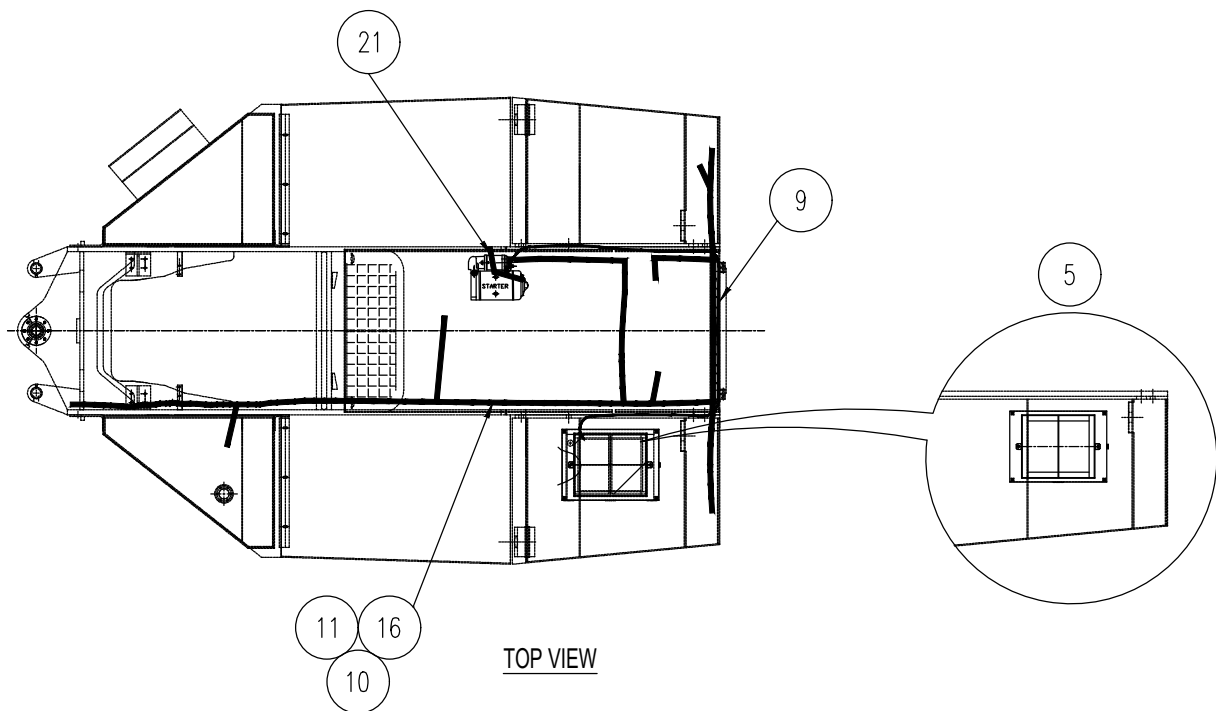
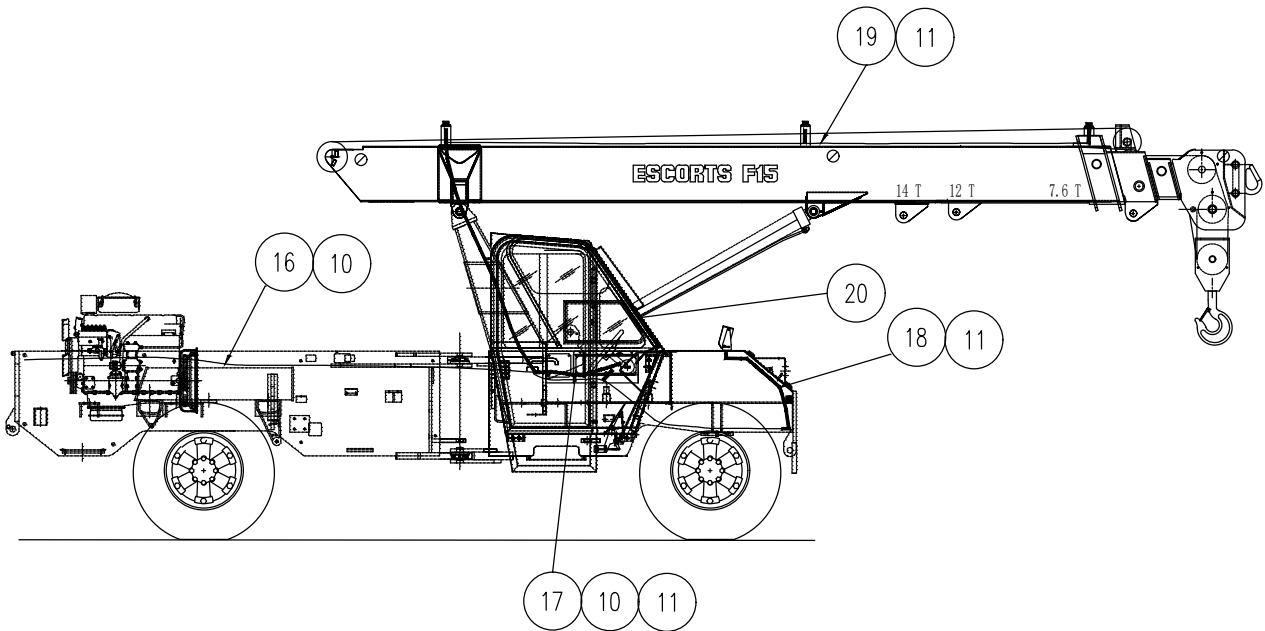
F-15

HYDRAULICS		PRIORITY VALVE ASSY.(C822A6020A00)		
S No	Part No	Description	Qty	Remarks
1	C9100212	HEXAGON HEAD BOLT	2	
2	C9100068	HEXAGON NUT	2	
3	C9100062	PUNCHED WASHER	2	
4	C9100046	SPRING LOCK WASHER	2	
7	C8PP10051000	"ADAPTOR 1.1/16""M JIC X 1.1/16""M UNO"	2	
9	C8PP11750000	PRIORITY VALVE OLS 160	1	
11	C8PP10062000	"ELBOW 90 7/16""M JICX 7/16""M UNO"	2	
12	C8PP10067000	"TEE 3/4""MJICX3/4""MUNOX 3/4""MJIC"	1	
14	C8PP10259000	"SPECIAL ELBOW	1	
15	C8PP10066000	"ADAPTOR 7/16""M JICX3/4""F JIC RED."	1	



ELECTRICAL

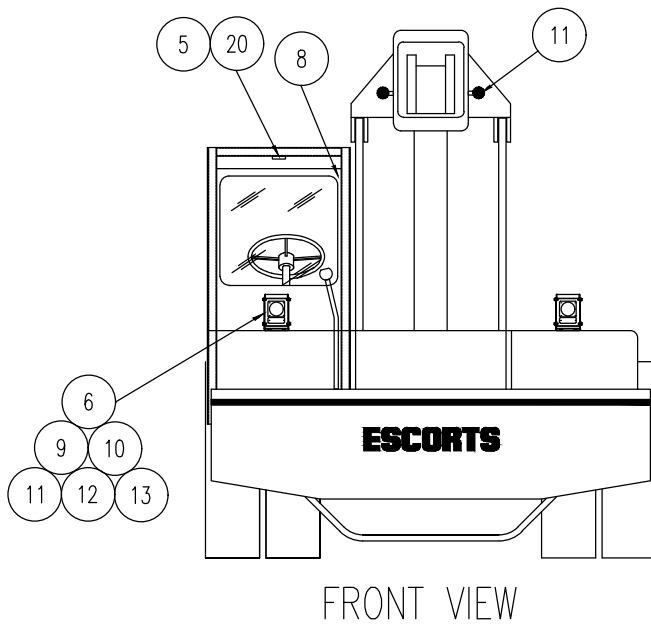
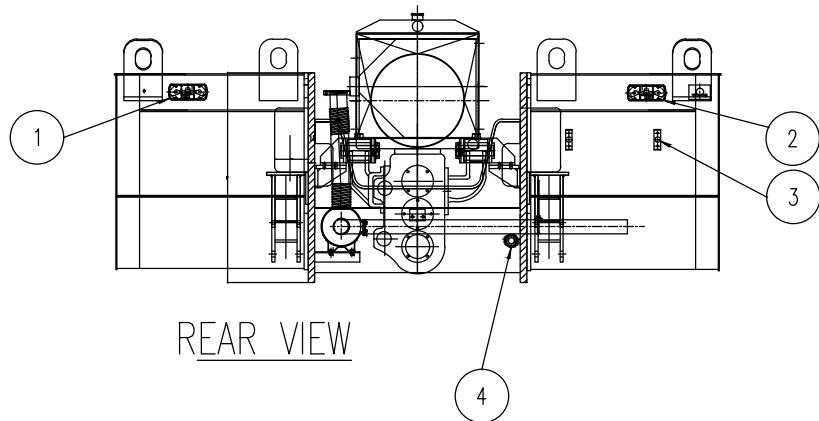
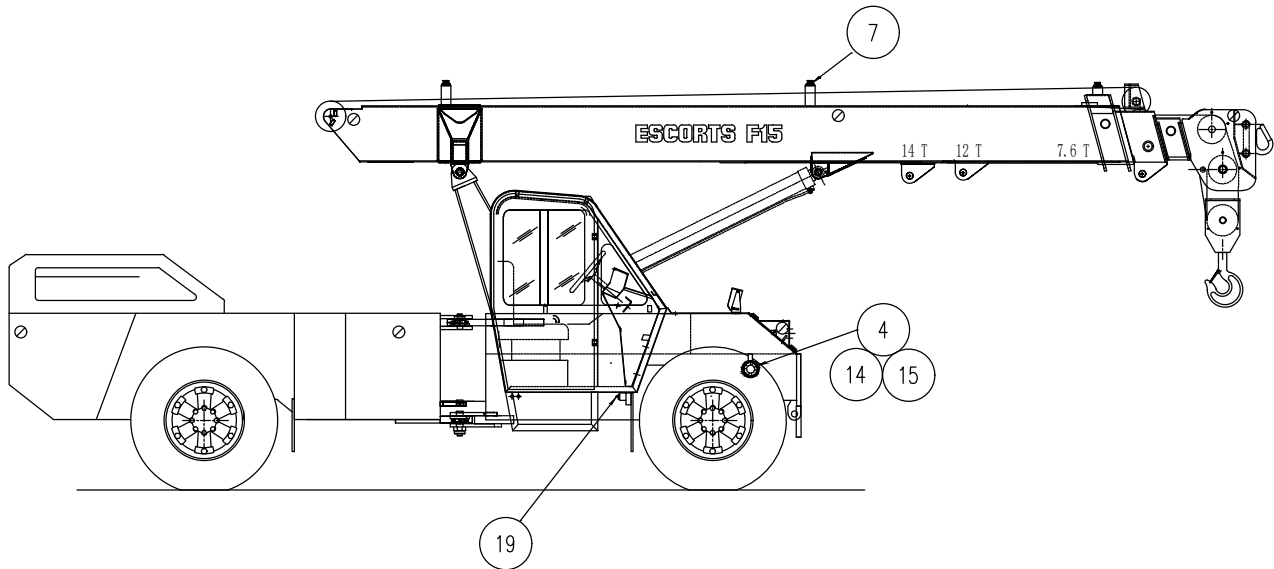
**BATTERY & WIRING HARNESS ASSY.- C7303971-C
ECA 1-2026 WITH
ECE169E004220,ECE169E003420 CUT-IN**



F-15-4WD

ELECTRICAL		BATTERY & WIRING HARNESS ASSY.- C7303971-C		
S No	Part No	Description	Qty	Remarks
1	C841A1011C00	BATTERY BOX	1	
2	C8V194387500	BATTERY, 12V, 75AH	2	
3	C8V194310400	RUBBER PAD	2	
4	C8T104100200	HOLD DOWN SCREW	2	
5	C841F1016A00	BATTERY CLAMP BOTTOM	1	
6	C841F1017A00	BATTERY CLAMP TOP	1	
7	C822C2104A00	BATTERY LEAD +VE TO -VE TERMINAL	1	
8	C822C2103A00	BATTERY LEAD -VE TO EARTH	1	
9	C836A5002B00	BATTERY LEAD +VE TO STARTER	1	
10	C8F004716400	CABLE BINDING TIE 300 mm	30	
11	C8F004731100	CABLE BINDING TIE 200 mm	30	
12	C8P051151000	PVC TAPE 3/4 STEEL GRIP MAKE (IL)	1	
13	C9100207	HEX HEAD BOLT M8X30	1	
14	C9100068	HEX NUT M8	1	
15	C9100046	SPRING WASHER M8	1	
16	C7306808	WIRING HARNESS CHASSIS	1	
17	C7308091	WIRING HARNESS DASHBOARD	1	
18	C7304012	WIRING HARNESS FRONT LIGHT	1	
19	C7304013	WIRING HARNESS BOOM	1	
20	C822C7010A00	WIRING HARNESS CABIN	1	

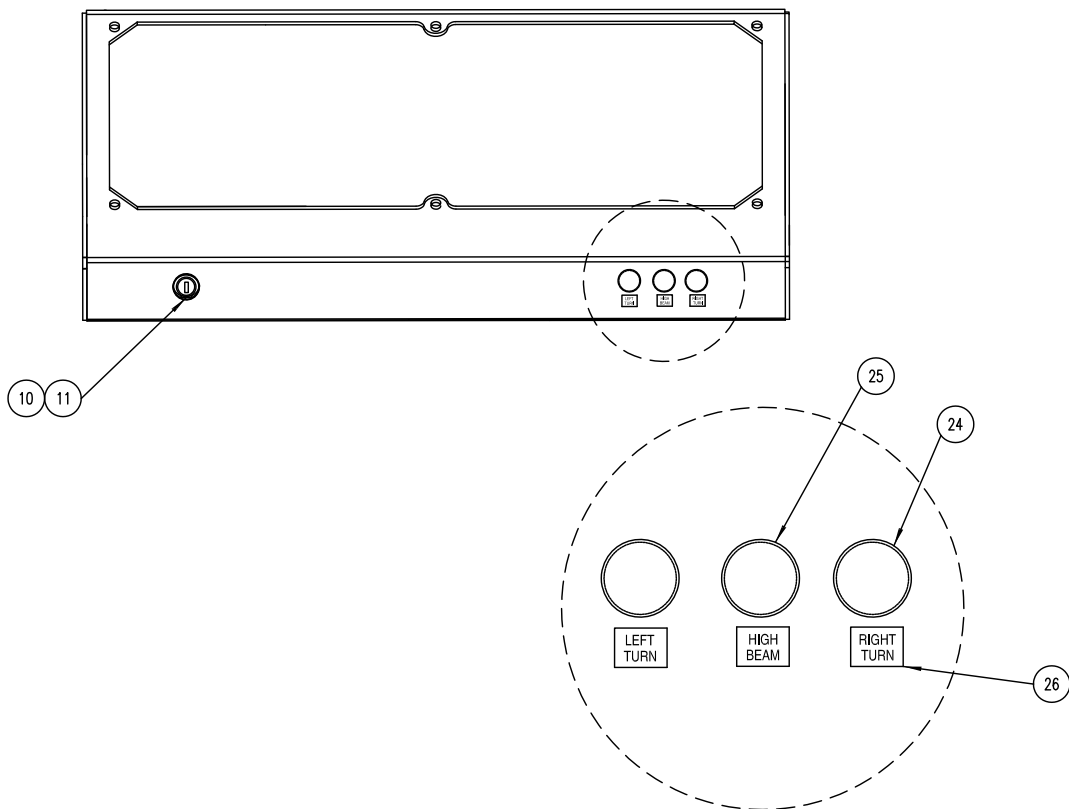
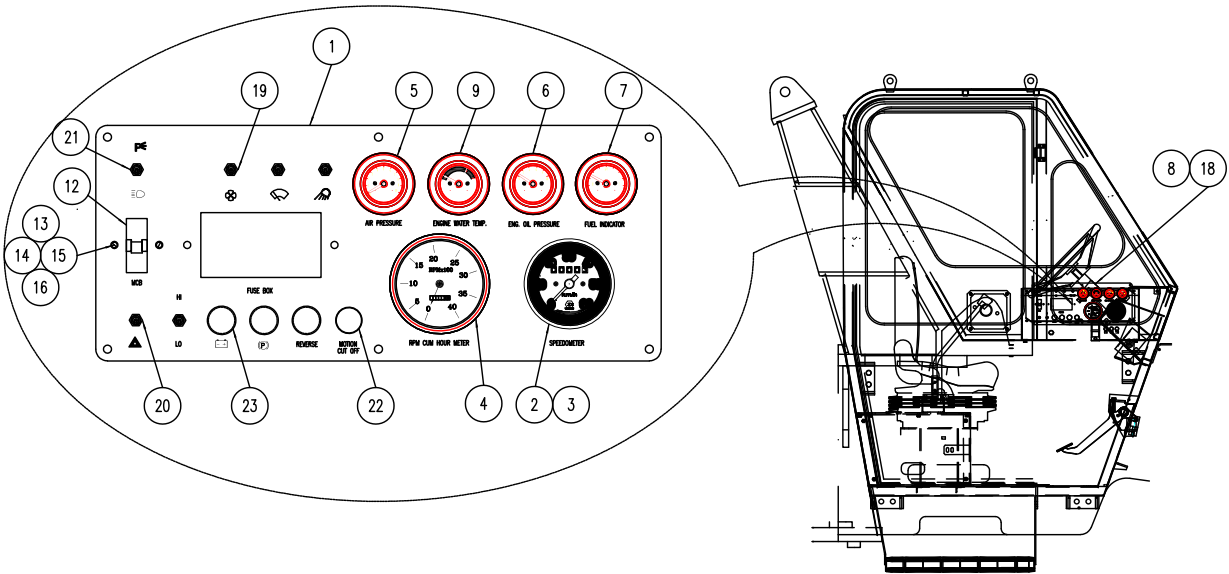
**ELECTRICAL ASSY.-7303970-B
 ECA 1-2026 WITH
 ECE169E004220 ,ECE169E003420 CUT-IN**



F-15-4WD/2WD

ELECTRICAL		ELECTRICAL ASSY.-7303970-B		
S No	Part No	Description	Qty	Remarks
1	8PP10886000	4-CHAMBER TAIL LAMP L.H. - 24V	1	
2	8PP10887000	4-CHAMBER TAIL LAMP R.H. - 24V	1	
3	7302269	REGISTRATION PLATE LIGHT 24V	2	
4	8G925973820	ELECTRIC HORN 24 VOLTS	2	
5	8V194310300	CAB LIGHT, 24V	1	
6	7302267	HEAD LAMP ASSY. (24V)	2	
7	7302270	SIDE INDICATORS LAMP, 24V	2	
8	822B2010000	FAN 24 VOLT	1	
9	7300688	FRONT LIGHT BOX	2	
9.1	7300689	U PLATE	1	
9.2	7300687	L PLATE	1	
9.3	7300690	WELD BLOCK	1	
9.4	8PP11530000	WELD NUT M10	4	
10	7301480	U-BEND PLATE	2	
11	9100095	HEX HEAD BOLT M10X30-8.8	2	
12	9100076	HEX NUT M10	2	
13	9100040	PUNCHED WASHER A11	12	
14	9100266	HEX HEAD BOLT M10X20	8	
15	9100044	SPRING WASHER A10	12	
16	819B5006000	REFLEX REFLECTOR AMBER	6	
17	819B5007000	REFLEX REFLECTOR RED	2	
18	819B5008000	REFLEX REFLECTOR WHITE	2	
19	8V194904500	BRAKE SWITCH	1	
20	8PP10786000	BULB CAB LIGHT, 24V	1	

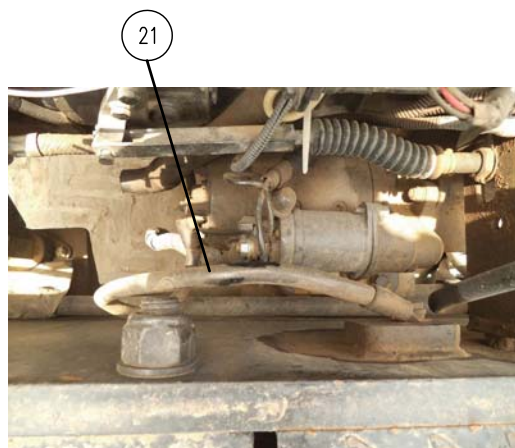
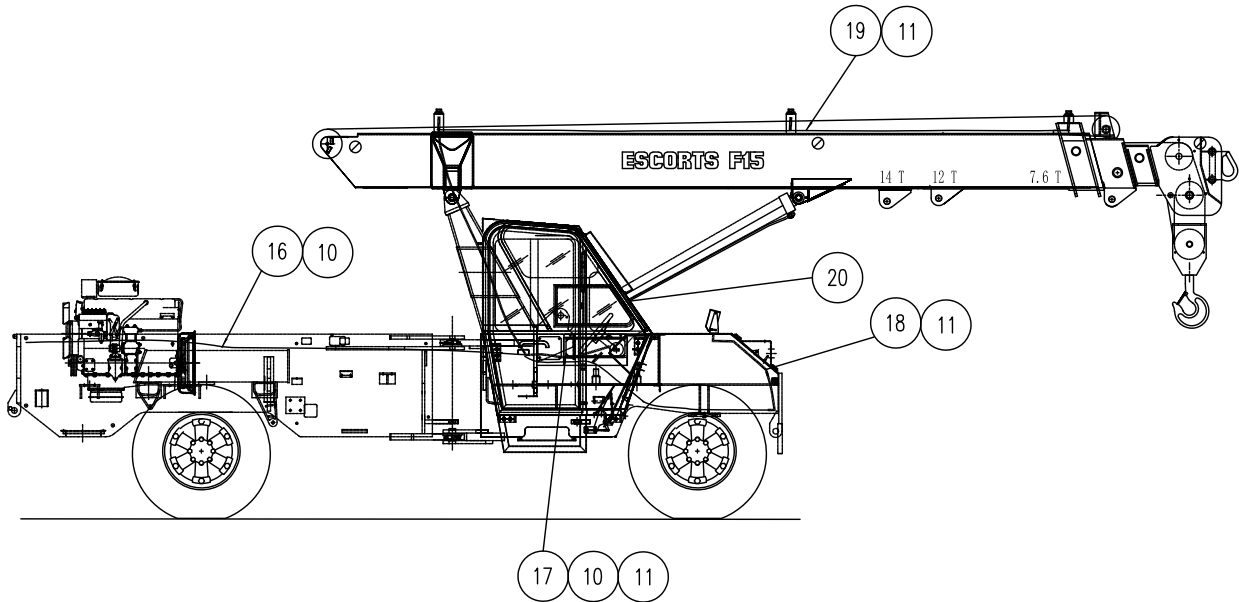
DASHBOARD ASSEMBLY – 7308001-A
ECA 2003 WITH (F15-2WD)
169D260417,169D261617,169D261817 CUT-IN



F-15-2WD

ELECTRICAL		DASHBOARD ASSEMBLY – 7308001-A (F15-2WD)		
S No	Part No	Description	Qty	Remarks
1	C7307077	DASHBOARD PLATE	1	
2	7301827	SPEEDOMETER	1	
3	7306958	SPEEDOMETER CABLE	1	
4	7304044	RPM CUM HOUR METER	1	
5	8V051715000	AIR PRESSURE GAUGE	1	
6	7304010	ENGINE OIL PRESSURE GAUGE	1	
7	8F179602600	FUEL GAUGE	1	
8	8V171700600	STEERING COLUMN SWITCH	1	
9	7304011	WATER TEMP. GAUGE	1	
10	819B5023000	MAIN IGNITION KEY	1	
11	8T111703700	MAIN IGNITION SWITCH	1	
12	C8PP10989000	MCB 12V,25A, SINGLE POLE(MAKE-HAVELL)	1	
13	8PP10933000	MTG. RAIL, L=70mm	1	
14	9100455	CHEESE HEAD SCREW M5X70	2	
15	9100460	SPRING WASHER M5	2	
16	9100341	HEX NUT M5	2	
17	822C2071000	RUBBER WASHER (ID=6, OD=18T=2)	1	
18	836C5038000	GROMMET FOR STEERING COLUMN SW	1	
19	8V124301900	TOGGLE SWITCH TS-1010 SPST	4	
20	8PP10284000	TOGGLE SWICH TS-1022	1	
21	7302349	TOGGLE SWITCH TS-10223	1	
22	836C5039000	DUMMY PLUG (RUBBER GROMMET)	1	
23	8F853603700	INDICATING LAMP (RED), 24V	3	
24	8F853604000	INDICATING LAMP (GREEN), 24V	2	
25	8F853603900	INDICATING LAMP (BLUE), 24V	1	
26	7303081	STICKER	1	

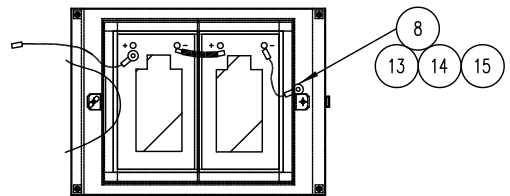
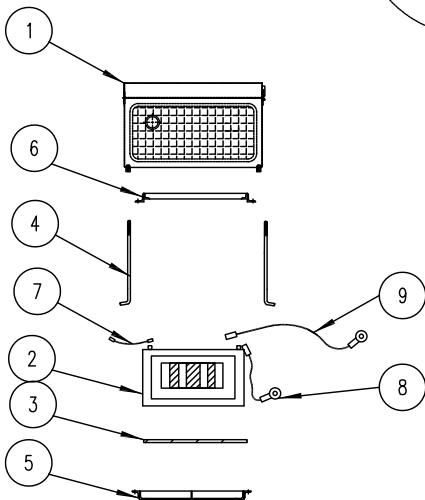
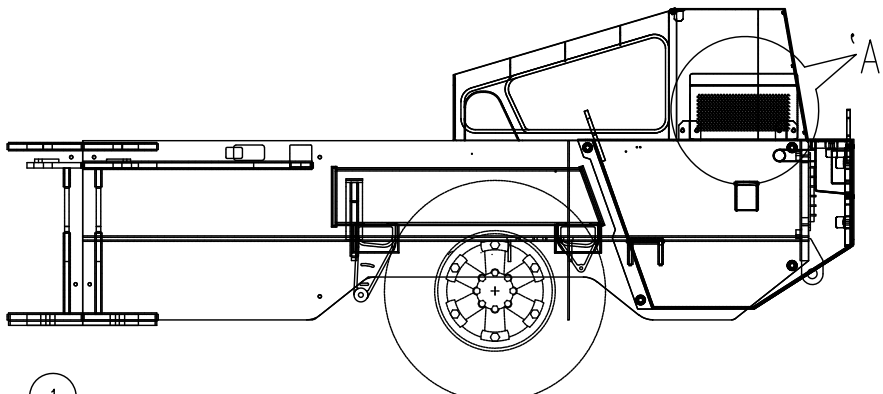
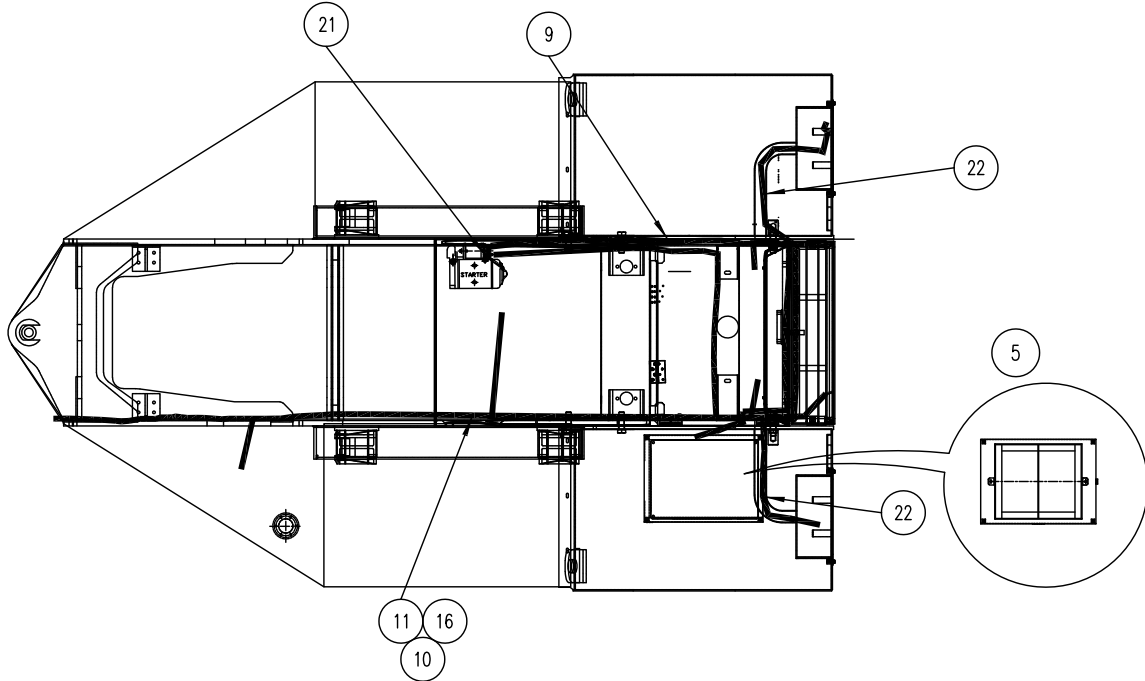
**BATTERY & WIRING HARNESS ASSY.- C7308002-A
ECA 2003 WITH (F15-2WD)
169D260417,169D261617,169D261817 CUT-IN**



F-15-2WD

ELECTRICAL		BATTERY & WIRING HARNESS ASSY.- C7308002-A		
S No	Part No	Description	Qty	Remarks
1	C841A1011C00	BATTERY BOX	1	
2	C8V194387500	BATTERY, 12V, 75AH	2	
3	C8V194310400	RUBBER PAD	2	
4	C8T104100200	HOLD DOWN SCREW	2	
5	C841F1016A00	BATTERY CLAMP BOTTOM	1	
6	C841F1017A00	BATTERY CLAMP TOP	1	
7	C822C2104A00	BATTERY LEAD +VE TO -VE TERMINAL	1	
8	C822C2103A00	BATTERY LEAD -VE TO EARTH	1	
9	C836A5002B00	BATTERY LEAD +VE TO STARTER	1	
10	C8F004716400	CABLE BINDING TIE 300 mm	30	
11	C8F004731100	CABLE BINDING TIE 200 mm	30	
12	C8P051151000	PVC TAPE 3/4 STEEL GRIP MAKE (IL)	1	
13	C9100207	HEX HEAD BOLT M8X30	1	
14	C9100068	HEX NUT M8	1	
15	C9100046	SPRING WASHER M8	1	
16	C7306808	WIRING HARNESS CHASSIS	1	
17	C7306807	WIRING HARNESS DASHBOARD	1	
18	C7304012	WIRING HARNESS FRONT LIGHT	1	
19	C7304013	WIRING HARNESS BOOM	1	
20	C822C7010A00	WIRING HARNESS CABIN	1	
21	8D345731C00	CABLE STARTER MOTOR TO BODY GROUND	1	
22	C7308094	W/H EXTENSION	1	

**BATTERY & WIRING HARNESS ASSY.- C7308002-A
ECA 2003 WITH
169D260417,169D261617,169D261817 CUT-IN**



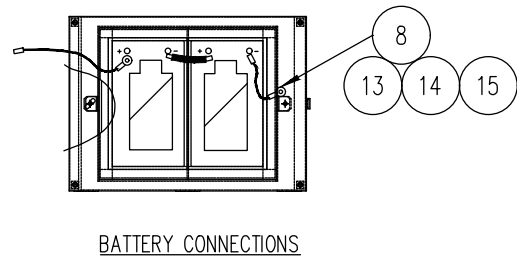
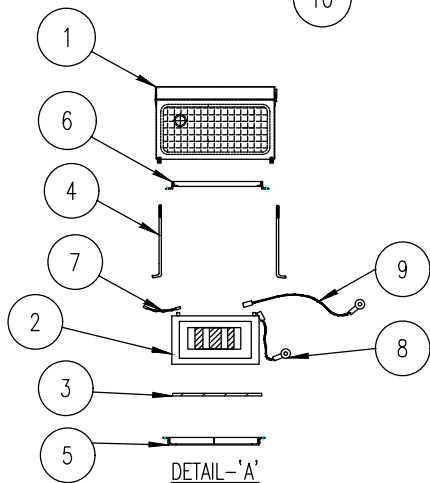
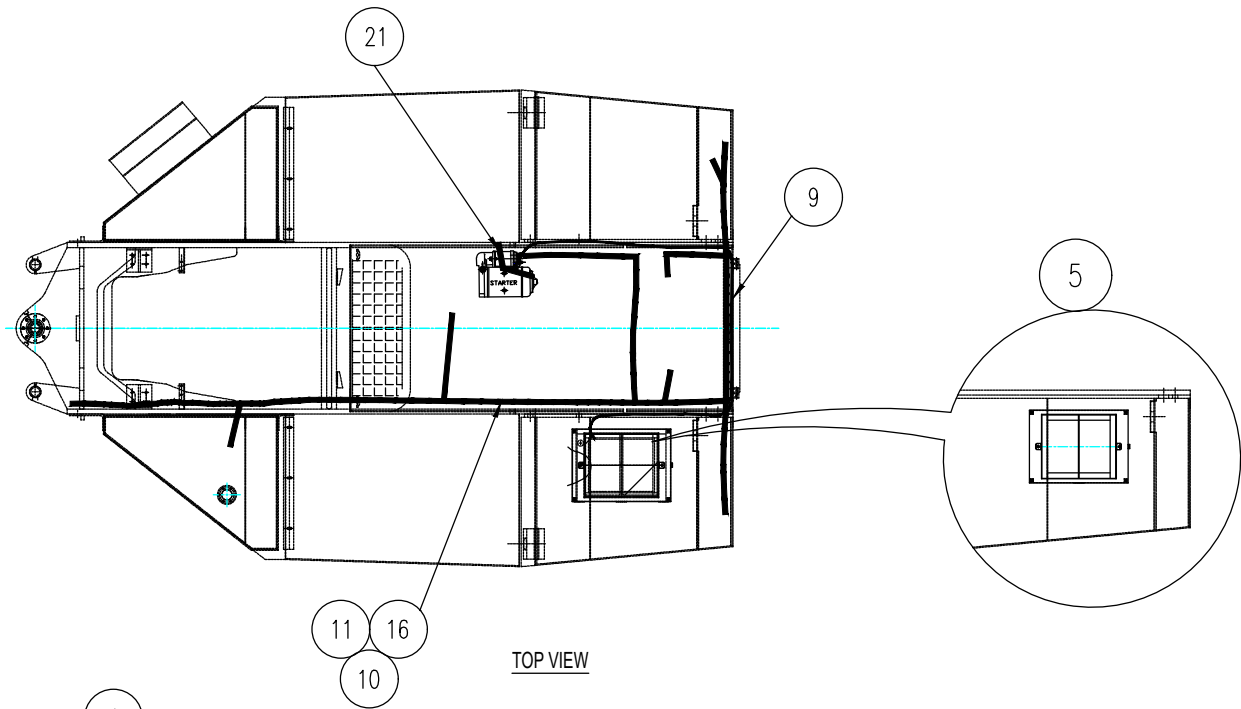
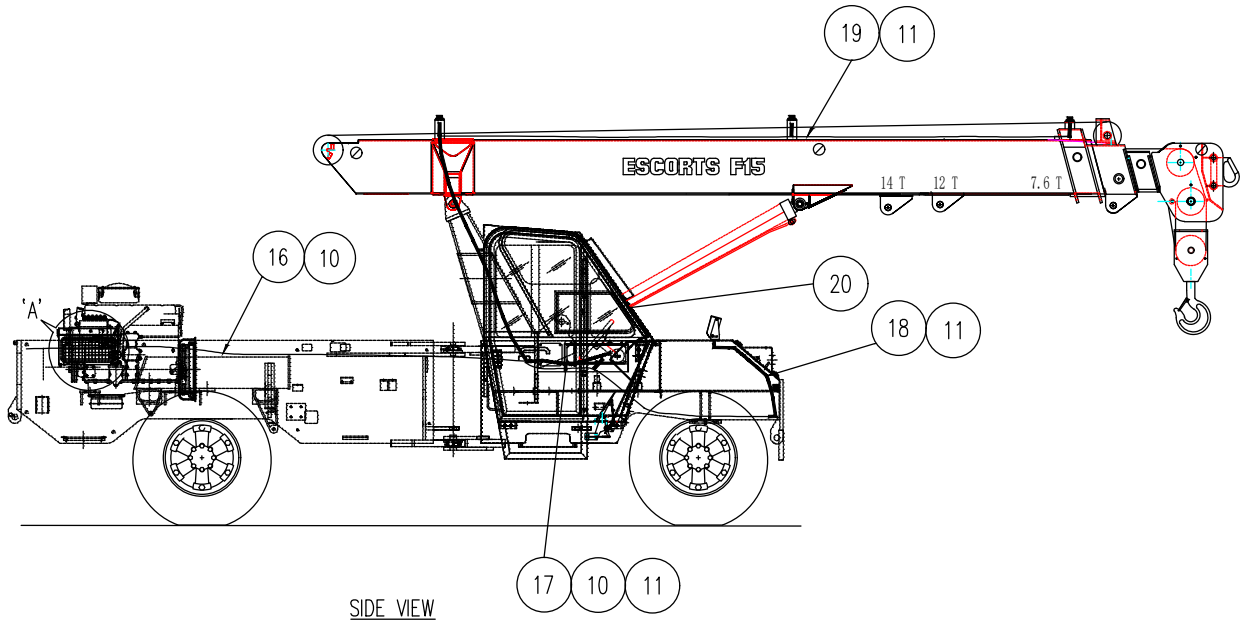
BATTERY CONNECTIONS

DETAIL-'A'

F-15-2WD

ELECTRICAL		BATTERY & WIRING HARNESS ASSY.- C7308002-A		
S No	Part No	Description	Qty	Remarks
1	C841A1011C00	BATTERY BOX	1	
2	C8V194387500	BATTERY, 12V, 75AH	2	
3	C8V194310400	RUBBER PAD	2	
4	C8T104100200	HOLD DOWN SCREW	2	
5	C841F1016A00	BATTERY CLAMP BOTTOM	1	
6	C841F1017A00	BATTERY CLAMP TOP	1	
7	C822C2104A00	BATTERY LEAD +VE TO -VE TERMINAL	1	
8	C822C2103A00	BATTERY LEAD -VE TO EARTH	1	
9	C836A5002B00	BATTERY LEAD +VE TO STARTER	1	
10	C8F004716400	CABLE BINDING TIE 300 mm	30	
11	C8F004731100	CABLE BINDING TIE 200 mm	30	
12	C8P051151000	PVC TAPE 3/4 STEEL GRIP MAKE (IL)	1	
13	C9100207	HEX HEAD BOLT M8X30	1	
14	C9100068	HEX NUT M8	1	
15	C9100046	SPRING WASHER M8	1	
16	C7306808	WIRING HARNESS CHASSIS	1	
17	C7306807	WIRING HARNESS DASHBOARD	1	
18	C7304012	WIRING HARNESS FRONT LIGHT	1	
19	C7304013	WIRING HARNESS BOOM	1	
20	C822C7010A00	WIRING HARNESS CABIN	1	
21	8D345731C00	CABLE STARTER MOTOR TO BODY GROUND	1	
22	C7308094	W/H EXTENSION	1	

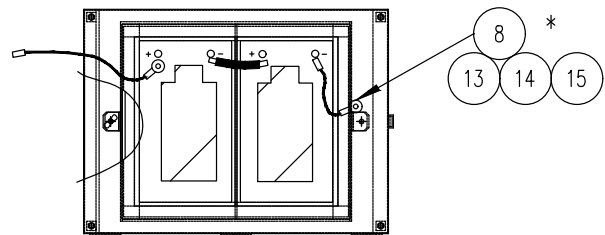
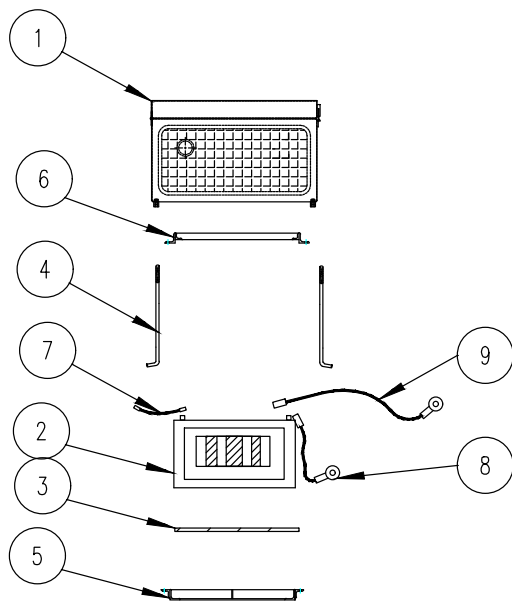
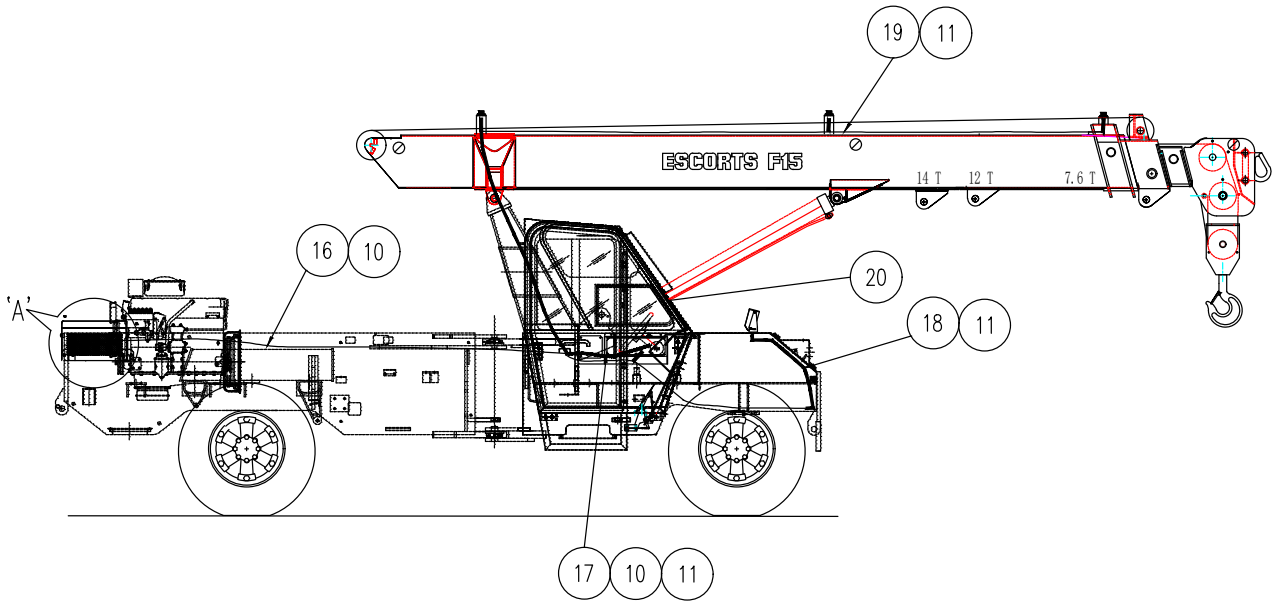
**BATTERY & WIRING HARNESS ASSY.- C7303971-D
ECA 1-2314 WITH 169E015913 CUT-IN**



F-15-4WD

ELECTRICAL		BATTERY & WIRING HARNESS ASSY.- C7303971-D		
S No	Part No	Description	Qty	Remarks
1	C841A1011C00	BATTERY BOX	1	
2	C8V194387500	BATTERY, 12V, 75AH	2	
3	C8V194310400	RUBBER PAD	2	
4	C8T104100200	HOLD DOWN SCREW	2	
5	C841F1016A00	BATTERY CLAMP BOTTOM	1	
6	C841F1017A00	BATTERY CLAMP TOP	1	
7	C822C2104A00	BATTERY LEAD +VE TO -VE TERMINAL	1	
8	C822C2103A00	BATTERY LEAD -VE TO EARTH	1	
9	C836A5002B00	BATTERY LEAD +VE TO STARTER	1	
10	C8F004716400	CABLE BINDING TIE 300 mm	30	
11	C8F004731100	CABLE BINDING TIE 200 mm	30	
12	C8P051151000	PVC TAPE 3/4 STEEL GRIP MAKE (IL)	1	
13	C9100207	HEX HEAD BOLT M8X30	1	
14	C9100068	HEX NUT M8	1	
15	C9100046	SPRING WASHER M8	1	
16	C7306808	WIRING HARNESS CHASSIS	1	
17	C7308091	WIRING HARNESS DASHBOARD	1	
18	C7304012	WIRING HARNESS FRONT LIGHT	1	
19	C7304013	WIRING HARNESS BOOM	1	
20	C822C7010A00	WIRING HARNESS CABIN	1	

**BATTERY & WIRING HARNESS ASSY.- C7308002-B
ECA 1-2314 WITH 169E015913 CUT-IN**

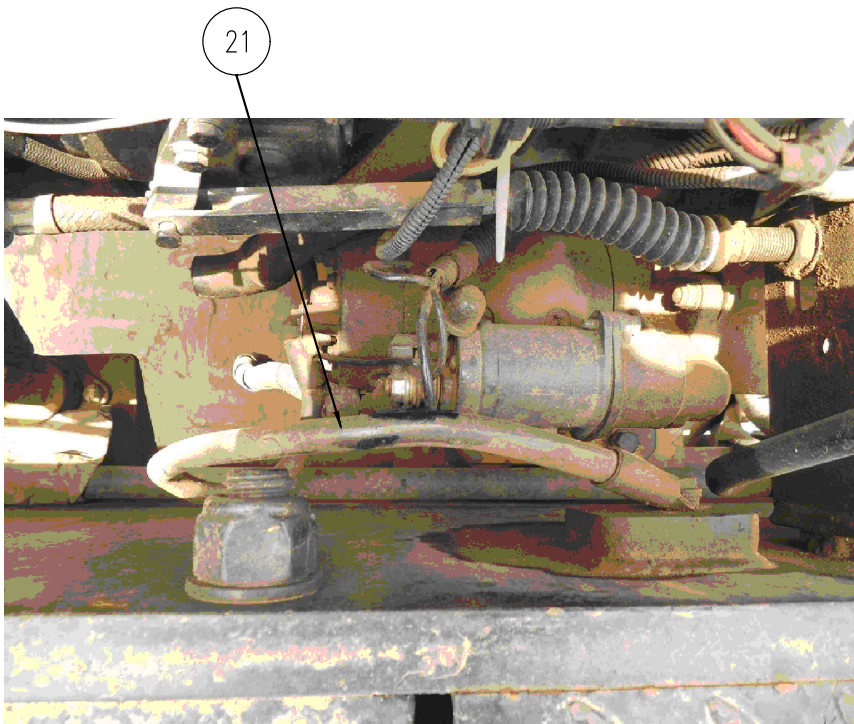
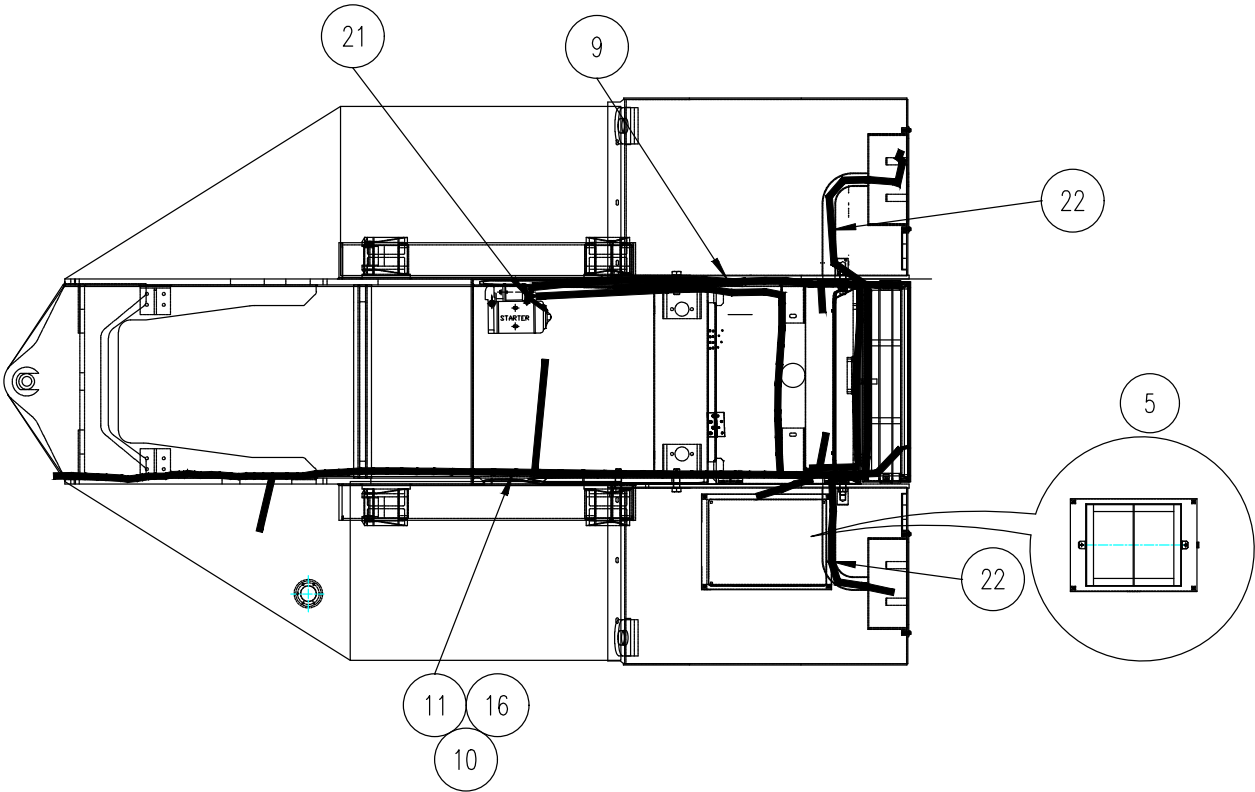


BATTERY CONNECTIONS

F-15-2WD

ELECTRICAL		BATTERY & WIRING HARNESS ASSY.- C7308002-B		
S No	Part No	Description	Qty	Remarks
1	C841A1011C00	BATTERY BOX	1	
2	C8V194387500	BATTERY, 12V, 75AH	1	
3	C8V194310400	RUBBER PAD	2	
4	C8T104100200	HOLD DOWN SCREW	2	
5	C841F1016A00	BATTERY CLAMP BOTTOM	1	
6	C841F1017A00	BATTERY CLAMP TOP	1	
7	C822C2104A00	BATTERY LEAD +VE TO -VE TERMINAL	1	
8	C822C2103A00	BATTERY LEAD -VE TO EARTH	1	
9	C836A5002B00	BATTERY LEAD +VE TO STARTER	1	
10	C8F004716400	CABLE BINDING TIE 300 mm	30	
11	C8F004731100	CABLE BINDING TIE 200 mm	30	
12	C8P051151000	PVC TAPE 3/4 STEEL GRIP MAKE (IL)	1	
13	C9100207	HEX HEAD BOLT M8X30	1	
14	C9100068	HEX NUT M8	1	
15	C9100046	SPRING WASHER M8	1	
16	C7306808	WIRING HARNESS CHASSIS	1	
17	C7306807	WIRING HARNESS DASHBOARD	1	
18	C7304012	WIRING HARNESS FRONT LIGHT	1	
19	C7304013	WIRING HARNESS BOOM	1	
20	C822C7010A00	WIRING HARNESS CABIN	1	
21	8D345731C00	CABLE STARTER MOTOR TO BODY GROUND	1	
22	C7308094	W/H EXTENSION	1	

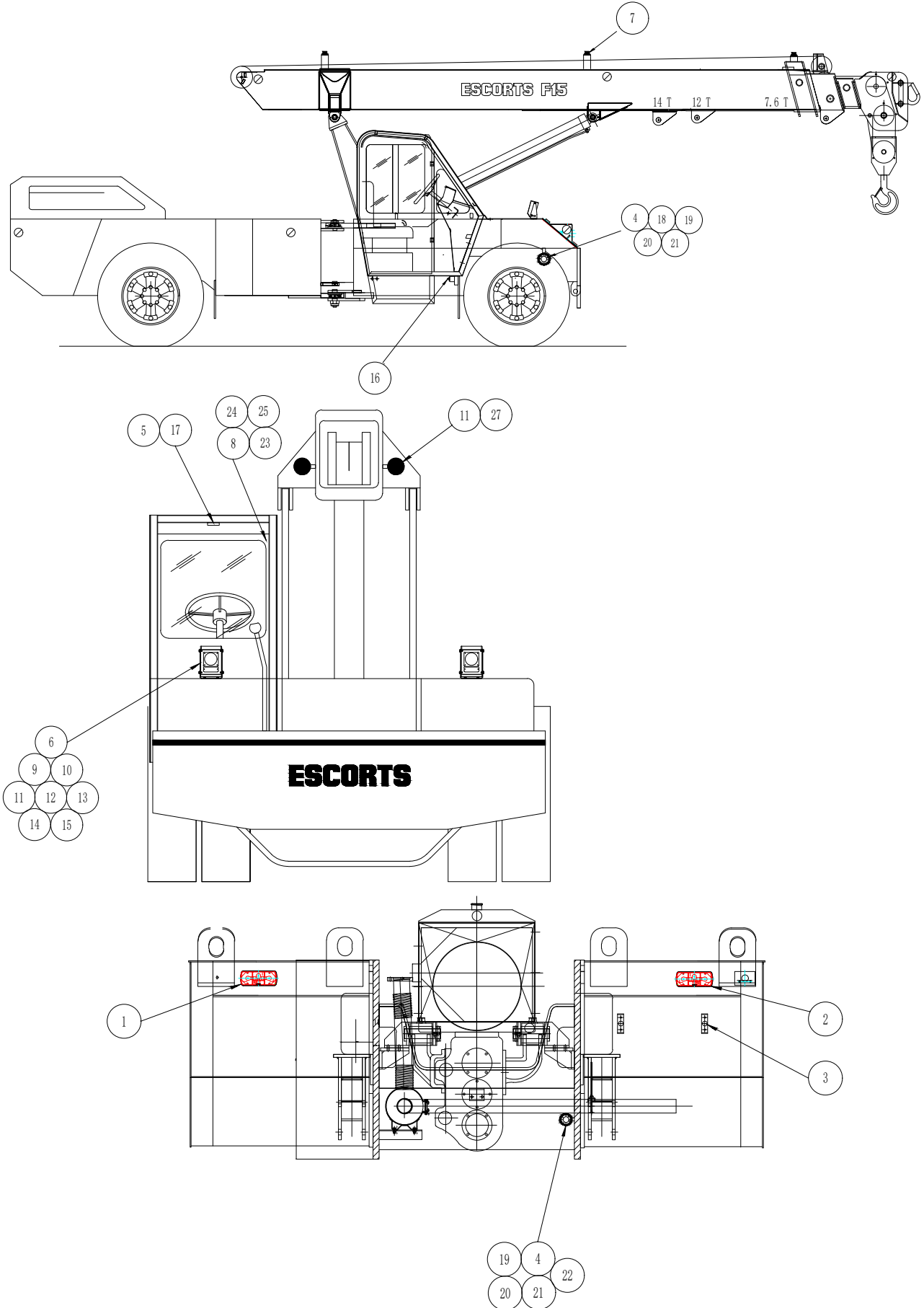
BATTERY & WIRING HARNESS ASSY.- C7308002-B ECA 1-2314 WITH 169E015913 CUT-IN



F-15-2WD

ELECTRICAL		BATTERY & WIRING HARNESS ASSY.- C7308002-B		
S No	Part No	Description	Qty	Remarks
1	C841A1011C00	BATTERY BOX	1	
2	C8V194387500	BATTERY, 12V, 75AH	1	
3	C8V194310400	RUBBER PAD	2	
4	C8T104100200	HOLD DOWN SCREW	2	
5	C841F1016A00	BATTERY CLAMP BOTTOM	1	
6	C841F1017A00	BATTERY CLAMP TOP	1	
7	C822C2104A00	BATTERY LEAD +VE TO -VE TERMINAL	1	
8	C822C2103A00	BATTERY LEAD -VE TO EARTH	1	
9	C836A5002B00	BATTERY LEAD +VE TO STARTER	1	
10	C8F004716400	CABLE BINDING TIE 300 mm	30	
11	C8F004731100	CABLE BINDING TIE 200 mm	30	
12	C8P051151000	PVC TAPE 3/4 STEEL GRIP MAKE (IL)	1	
13	C9100207	HEX HEAD BOLT M8X30	1	
14	C9100068	HEX NUT M8	1	
15	C9100046	SPRING WASHER M8	1	
16	C7306808	WIRING HARNESS CHASSIS	1	
17	C7306807	WIRING HARNESS DASHBOARD	1	
18	C7304012	WIRING HARNESS FRONT LIGHT	1	
19	C7304013	WIRING HARNESS BOOM	1	
20	C822C7010A00	WIRING HARNESS CABIN	1	
21	8D345731C00	CABLE STARTER MOTOR TO BODY GROUND	1	
22	C7308094	W/H EXTENSION	1	

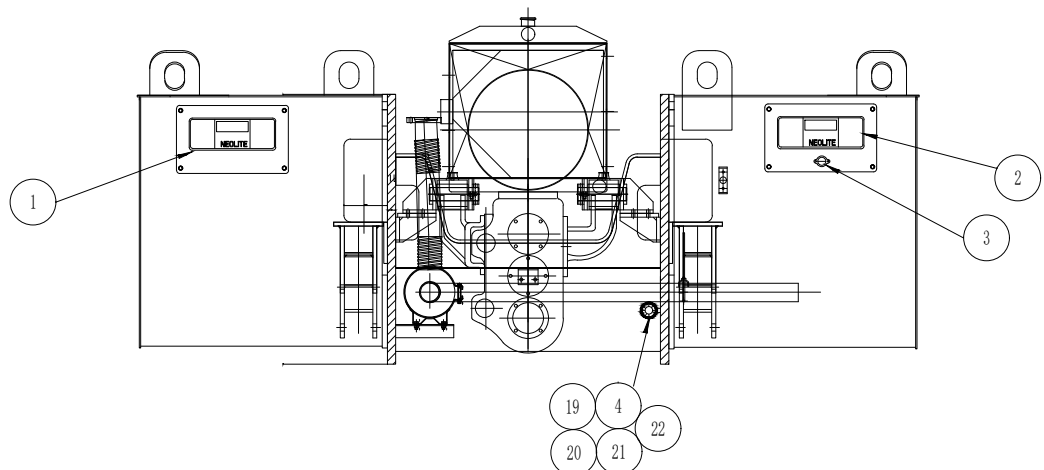
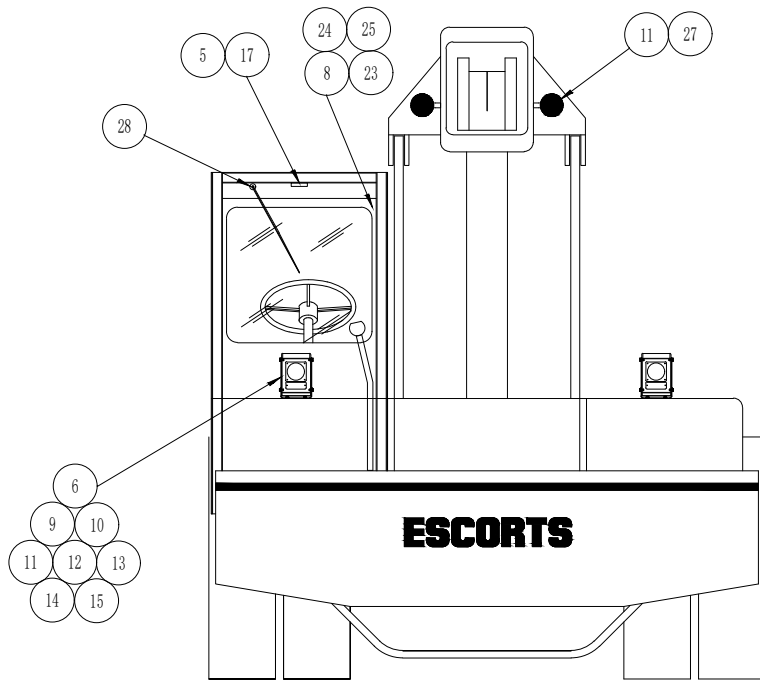
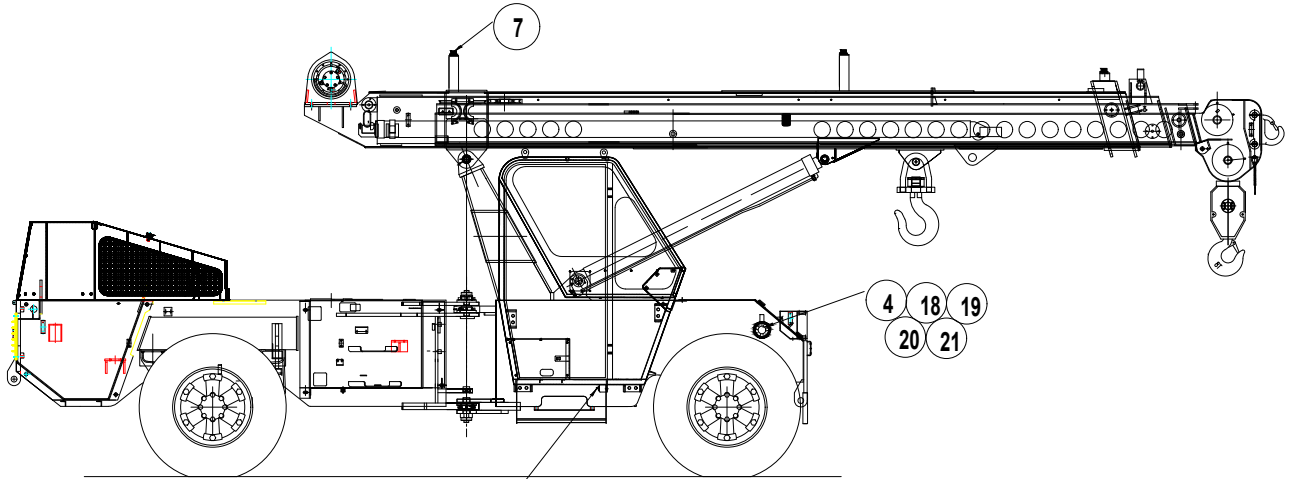
**ELECTRICAL ASSY-7310344-B
ECA 1-2678 WITH ECE0169F010322 CUT-IN**



F-15-4WD/2WD

ELECTRICAL		ELECTRICALS ASSY-7310344-B		
S No	Part No	Description	Qty	Remarks
1	8PP10886000	4-CHAMBER TAIL LAMP L.H. - 24V	1	
2	8PP10887000	4-CHAMBER TAIL LAMP R.H. - 24V	1	
3	7302269	REGISTRATION PLATE LIGHT 24V	2	
4	8G925973820	ELECTRIC HORN 24 VOLTS	2	
5	C7308286	CAB LIGHT, 24V	1	
6	7302267	HEAD LAMP ASSY. (24V)	2	
7	7302270	SIDE INDICATORS LAMP, 24V	3	
8	822B2010000	FAN 24 VOLT	1	
9	7300688	FRONT LIGHT BOX	2	
9.1	7300689	U PLATE	1	
9.2	7300687	L PLATE	1	
9.3	7300690	WELD BLOCK	1	
9.4	8PP11530000	WELD NUT M10	4	
10	7301480	U-BEND PLATE	2	
11	9100095	HEX HEAD BOLT M10X30-8.8	2	
12	9100076	HEX NUT M10	2	
13	9100040	PUNCHED WASHER A11	12	
14	9100266	HEX HEAD BOLT M10X20	12	
15	9100044	SPRING WASHER A10	12	
16	8V194904500	BRAKE SWITCH	1	
17	8PP10786000	BULB CAB LIGHT, 24V	1	
18	C9100171	HEXAGON HEAD SCREW -M8X35-8.8	1	
19	C9100068	HEXAGON NUT -IS 1364 (PART-3)ISO 4032-M8-8	3	
20	C9100062	PUNCHED WASHER A9 IS:2016-STEEL	2	
21	C9100046	SPRING LOCK WASHER A8 IS:3063 (PHOSPHATE	2	
22	C9100167	HEXAGON HEAD SCREW-- M8X16-8.8	1	
23	C9100445	HEXAGON HEAD SCREW -M6X15-8.8	2	
24	C9100150	SPRING LOCK WASHER A6 IS:3063 (PHOSPHATE	2	
25	C9100342	HEXAGON NUT -IS 1364 (PART-3)/ISO 4032-M6-8	2	
26	C8P051151000	"PVC TAPE 3/4"IN ROLLS STEEL GRIP MAKE"(IL)	1	
27	C8PP10894000	WORK LIGHT	2	

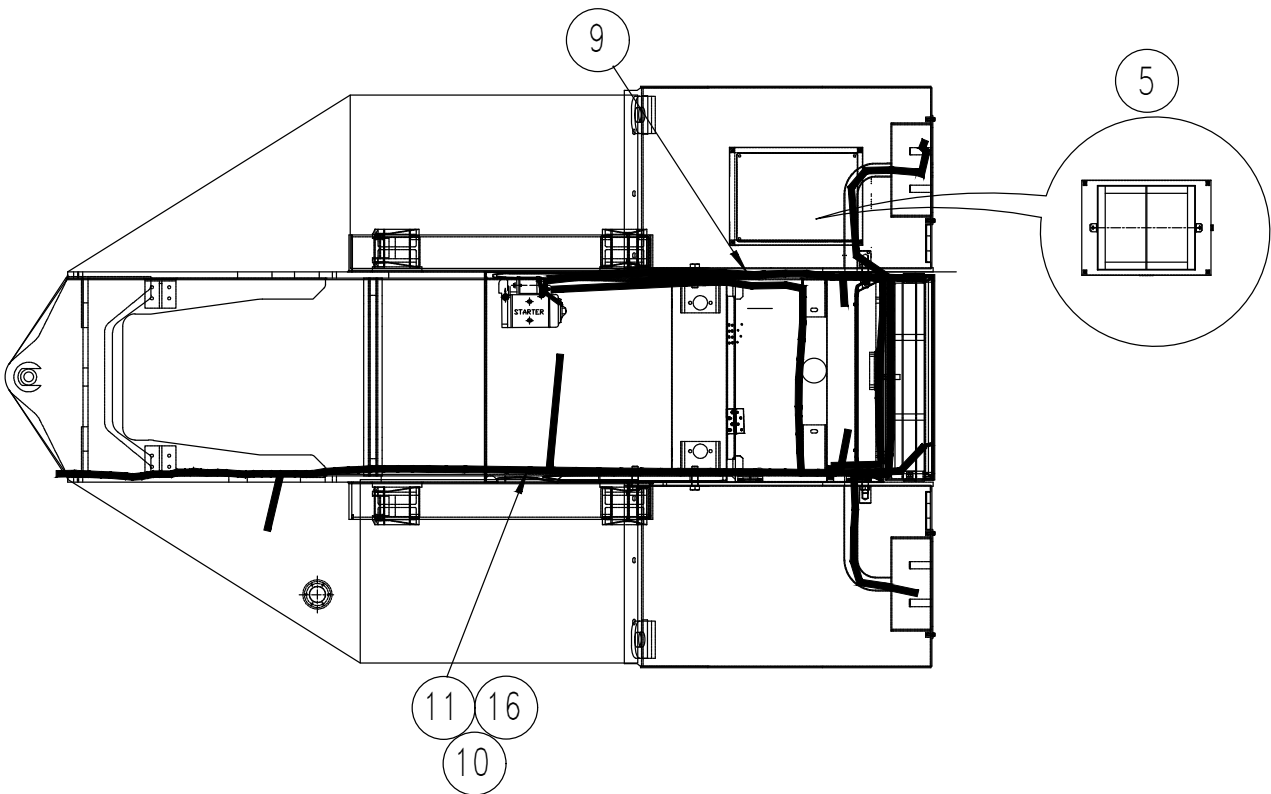
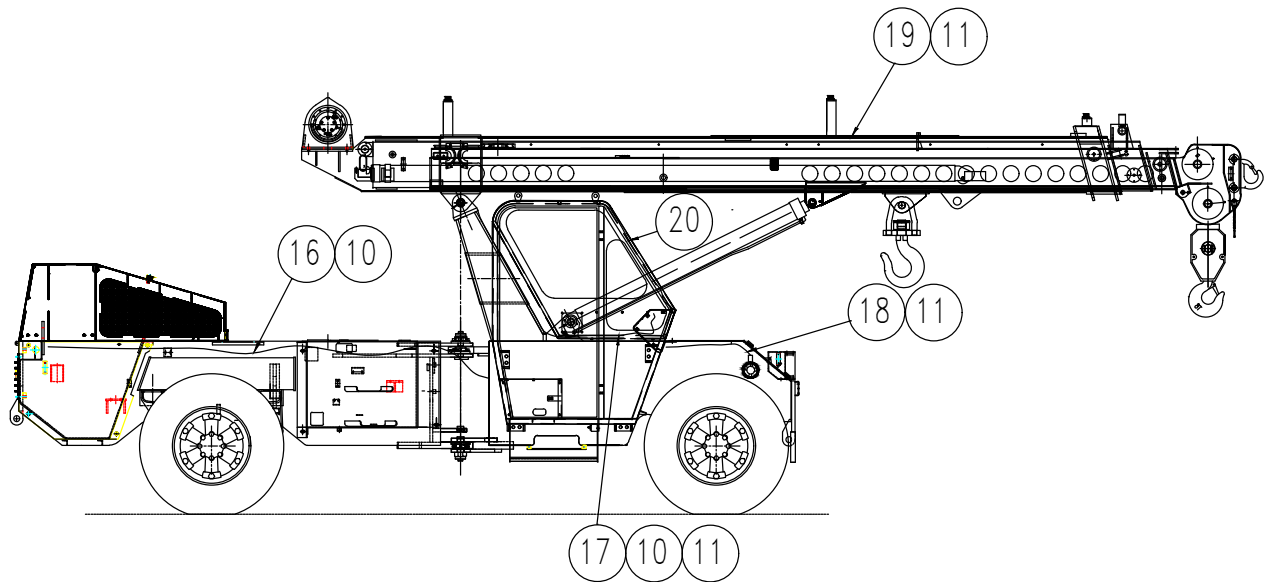
ELECTRICAL ASSY-7310344-C
ECA 1-2870 WITH ECE02169EG0030417 CUT-IN



F-15-4WD/2WD

ELECTRICAL		ELECTRICALS ASSY-7310344-C		
S No	Part No	Description	Qty	Remarks
1	C7310939	TAIL LIGHT 4 CHAMBER 24 VOLT LHS	1	
2	C7310940	TAIL LIGHT 4 CHAMBER 24 VOLT RHS	1	
3	C7302269	REGISTRATION PLATE LIGHT 24V	2	
4	C8G925973820	ELECTRIC HORN 24 VOLTS	2	
5	C7308286	CAB LIGHT, 24V	1	
6	C7302267	HEAD LAMP ASSY. (24V)	2	
7	C7302270	SIDE INDICATORS LAMP, 24V	3	
8	C822B2010000	FAN 24 VOLT	1	
9	C7300688	FRONT LIGHT BOX	2	
9.1	C7300689	U PLATE	1	
9.2	C7300687	L PLATE	1	
9.3	C7300690	WELD BLOCK	1	
9.4	C8PP11530000	WELD NUT M10	4	
10	C7301480	U-BEND PLATE	2	
11	C9100095	HEX HEAD BOLT M10X30-8.8	2	
12	C9100076	HEX NUT M10	2	
13	C9100040	PUNCHED WASHER A11	12	
14	C9100266	HEX HEAD BOLT M10X20	12	
15	C9100044	SPRING WASHER A10	12	
16	C8V194904500	BRAKE SWITCH	1	
17	C8PP10786000	BULB CAB LIGHT, 24V	1	
18	C9100171	HEXAGON HEAD SCREW -M8X35-8.8	1	
19	C9100068	HEXAGON NUT -IS 1364 (PART-3)ISO 4032-M8-8	3	
20	C9100062	PUNCHED WASHER A9 IS:2016-STEEL	2	
21	C9100046	SPRING LOCK WASHER A8 IS:3063 (PHOSPHATE	2	
22	C9100167	HEXAGON HEAD SCREW- M8X16-8.8	1	
23	C9100445	HEXAGON HEAD SCREW -M6X15-8.8	2	
24	C9100150	SPRING LOCK WASHER A6 IS:3063 (PHOSPHATE	2	
25	C9100342	HEXAGON NUT -IS 1364 (PART-3)/ISO 4032-M6-8	2	
26	C8P051151000	"PVC TAPE 3/4"IN ROLLS STEEL GRIP MAKE"(IL)	1	
27	C7310937	WORK LIGHT	2	
28	C8PP11731000	WIPER MOTOR	1	

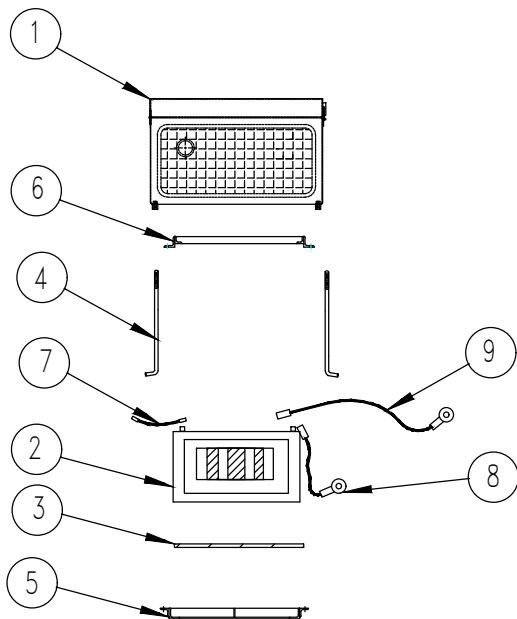
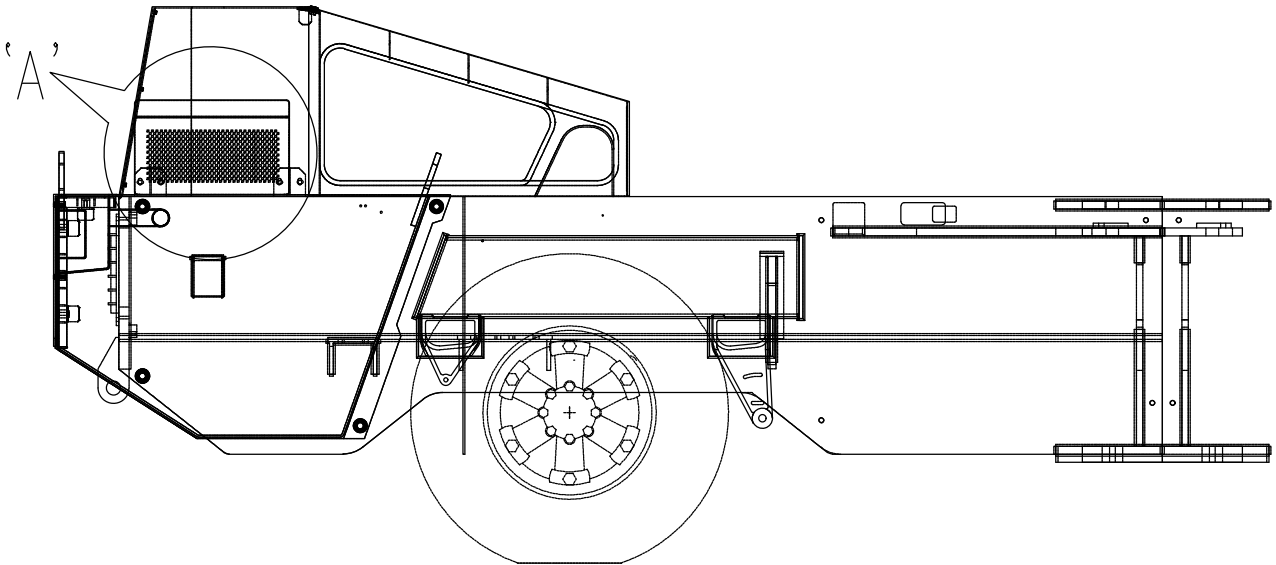
BATTERY & WIRING HARNESS ASSY.- C7310342-B ECA 1-2870 WITH ECE02169EG0030417 CUT-IN



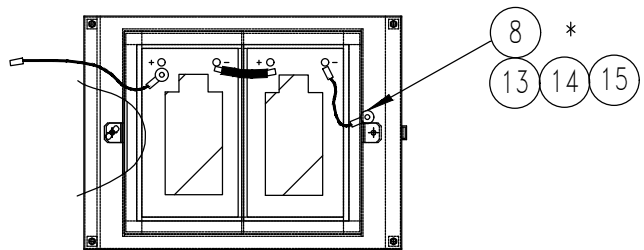
F-15-4WD

ELECTRICAL		BATTERY & WIRING HARNESS ASSY.- C7310342-B		
S No	Part No	Description	Qty	Remarks
1	C841A1011C00	BATTERY BOX	1	
2	C8V194387500	BATTERY, 12V, 75AH	2	
3	C8V194310400	RUBBER PAD	2	
4	C8T104100200	HOLD DOWN SCREW	2	
5	C841F1016A00	BATTERY CLAMP BOTTOM	1	
6	C841F1017A00	BATTERY CLAMP TOP	1	
7	C822C2104A00	BATTERY LEAD +VE TO -VE TERMINAL	1	
8	C822C2103A00	BATTERY LEAD -VE TO EARTH	1	
9	C836A5002B00	BATTERY LEAD +VE TO STARTER	1	
10	C8F004716400	CABLE BINDING TIE 300 mm	30	
11	C8F004731100	CABLE BINDING TIE 200 mm	30	
13	C9100167	HEX HEAD BOLT M8X30	4	
14	C9100062	HEX NUT M8	4	
15	C9100046	SPRING WASHER M8	4	
16	C7306808	WIRING HARNESS CHASSIS	1	
17	C7308091	WIRING HARNESS DASHBOARD	1	
18	C7304012	WIRING HARNESS FRONT LIGHT	1	
19	C7304013	WIRING HARNESS BOOM	1	
20	C836C1007000	LOCK FOR BATTERY BOX COVER	1	

**BATTERY & WIRING HARNESS ASSY.- C7310342-B
ECA 1-2870 WITH ECE02169EG0030417 CUT-IN**



DETAIL-'A'

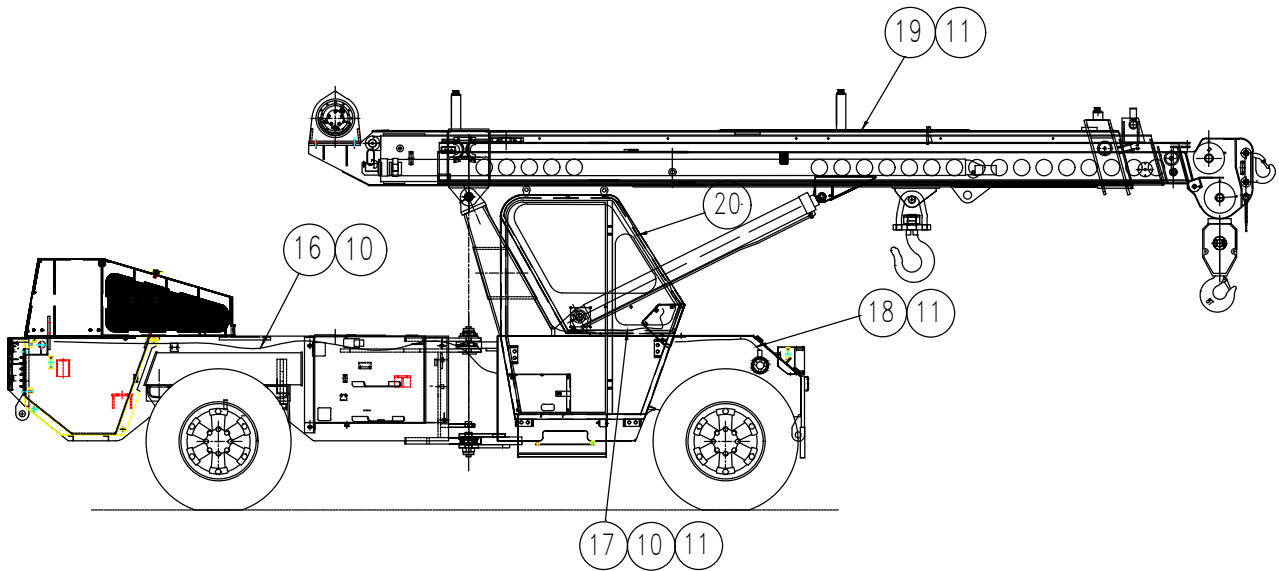


BATTERY CONNECTIONS

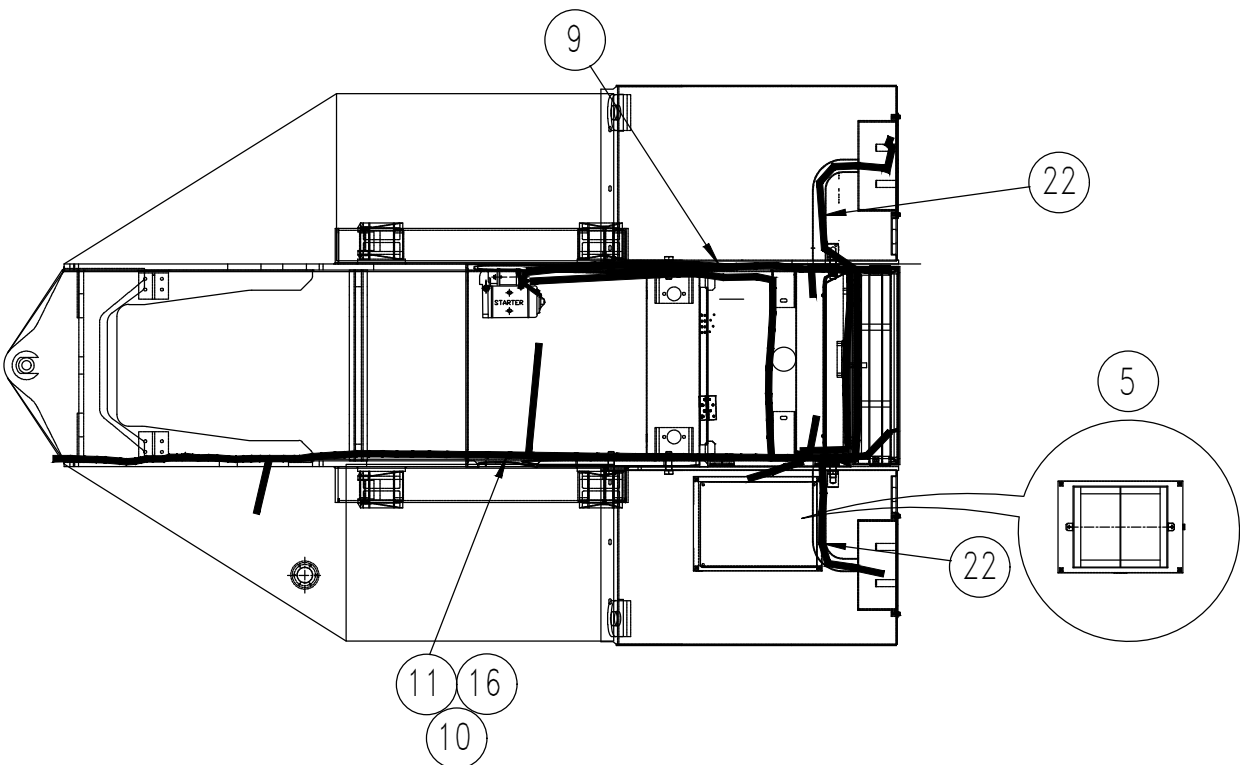
F-15-4WD

ELECTRICAL		BATTERY & WIRING HARNESS ASSY.- C7310342-B		
S No	Part No	Description	Qty	Remarks
1	C841A1011C00	BATTERY BOX	1	
2	C8V194387500	BATTERY, 12V, 75AH	2	
3	C8V194310400	RUBBER PAD	2	
4	C8T104100200	HOLD DOWN SCREW	2	
5	C841F1016A00	BATTERY CLAMP BOTTOM	1	
6	C841F1017A00	BATTERY CLAMP TOP	1	
7	C822C2104A00	BATTERY LEAD +VE TO -VE TERMINAL	1	
8	C822C2103A00	BATTERY LEAD -VE TO EARTH	1	
9	C836A5002B00	BATTERY LEAD +VE TO STARTER	1	
10	C8F004716400	CABLE BINDING TIE 300 mm	30	
11	C8F004731100	CABLE BINDING TIE 200 mm	30	
13	C9100167	HEX HEAD BOLT M8X30	4	
14	C9100062	HEX NUT M8	4	
15	C9100046	SPRING WASHER M8	4	
16	C7306808	WIRING HARNESS CHASSIS	1	
17	C7308091	WIRING HARNESS DASHBOARD	1	
18	C7304012	WIRING HARNESS FRONT LIGHT	1	
19	C7304013	WIRING HARNESS BOOM	1	
20	C836C1007000	LOCK FOR BATTERY BOX COVER	1	

**BATTERY & WIRING HARNESS ASSY.- C7310536-B
ECA 1-2870 WITH ECE02169EG0030417 CUT-IN**



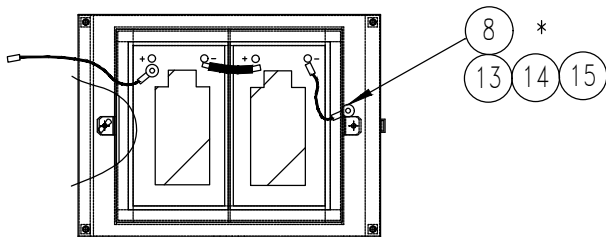
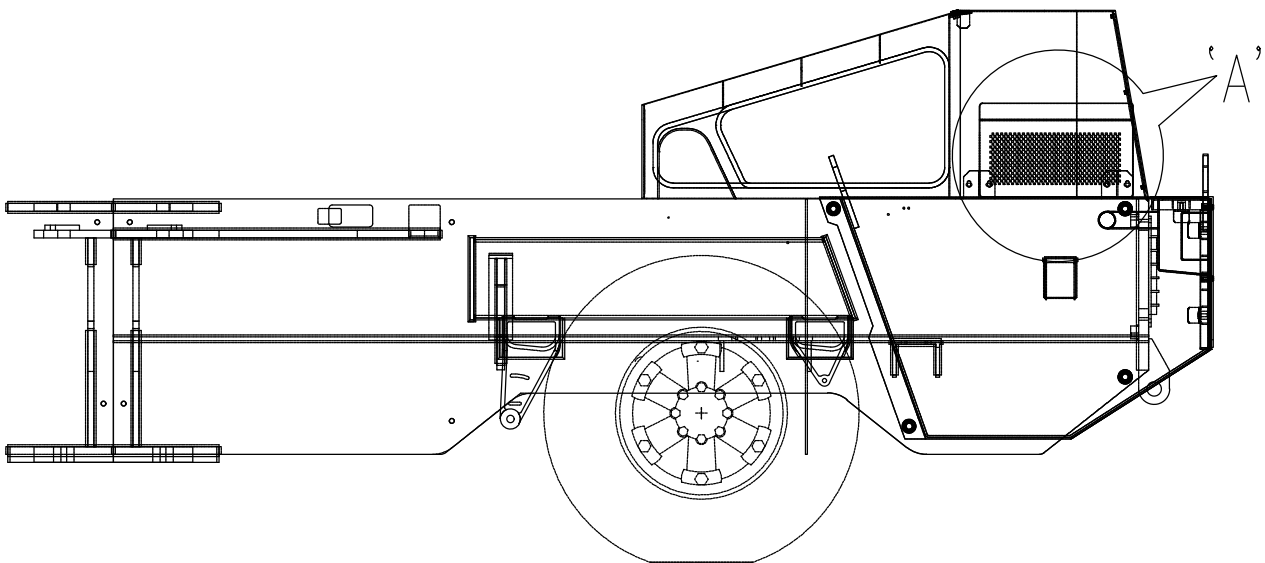
SIDE VIEW



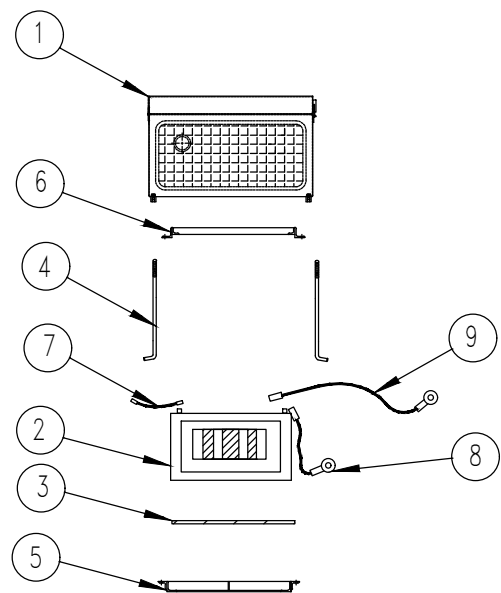
F-15-2WD

ELECTRICAL		BATTERY & WIRING HARNESS ASSY.- C7310536-B		
S No	Part No	Description	Qty	Remarks
1	C841A1011C00	BATTERY BOX	1	
2	C8V194387500	BATTERY, 12V, 75AH	2	
3	C8V194310400	RUBBER PAD	2	
4	C8T104100200	HOLD DOWN SCREW	2	
5	C841F1016A00	BATTERY CLAMP BOTTOM	1	
6	C841F1017A00	BATTERY CLAMP TOP	1	
7	C822C2104A00	BATTERY LEAD +VE TO -VE TERMINAL	1	
8	C822C2103A00	BATTERY LEAD -VE TO EARTH	1	
9	C836A5002B00	BATTERY LEAD +VE TO STARTER	1	
10	C8F004716400	CABLE BINDING TIE 300 mm	30	
11	C8F004731100	CABLE BINDING TIE 200 mm	30	
13	C9100167	HEX HEAD BOLT M8X30	4	
14	C9100062	HEX NUT M8	4	
15	C9100046	SPRING WASHER M8	4	
16	C7306808	W/H CHASSIS	1	
17	C7306807	WIRING HARNESS DASHBOARD	1	
18	C7304012	WIRING HARNESS FRONT LIGHT	1	
19	C7304013	WIRING HARNESS BOOM	1	
20	C836C1007000	LOCK FOR BATTERY BOX COVER	1	
22	C7308094	W/H EXTENSION	1	

**BATTERY & WIRING HARNESS ASSY.- C7310536-B
ECA 1-2870 WITH ECE02169EG0030417 CUT-IN**



BATTERY CONNECTIONS

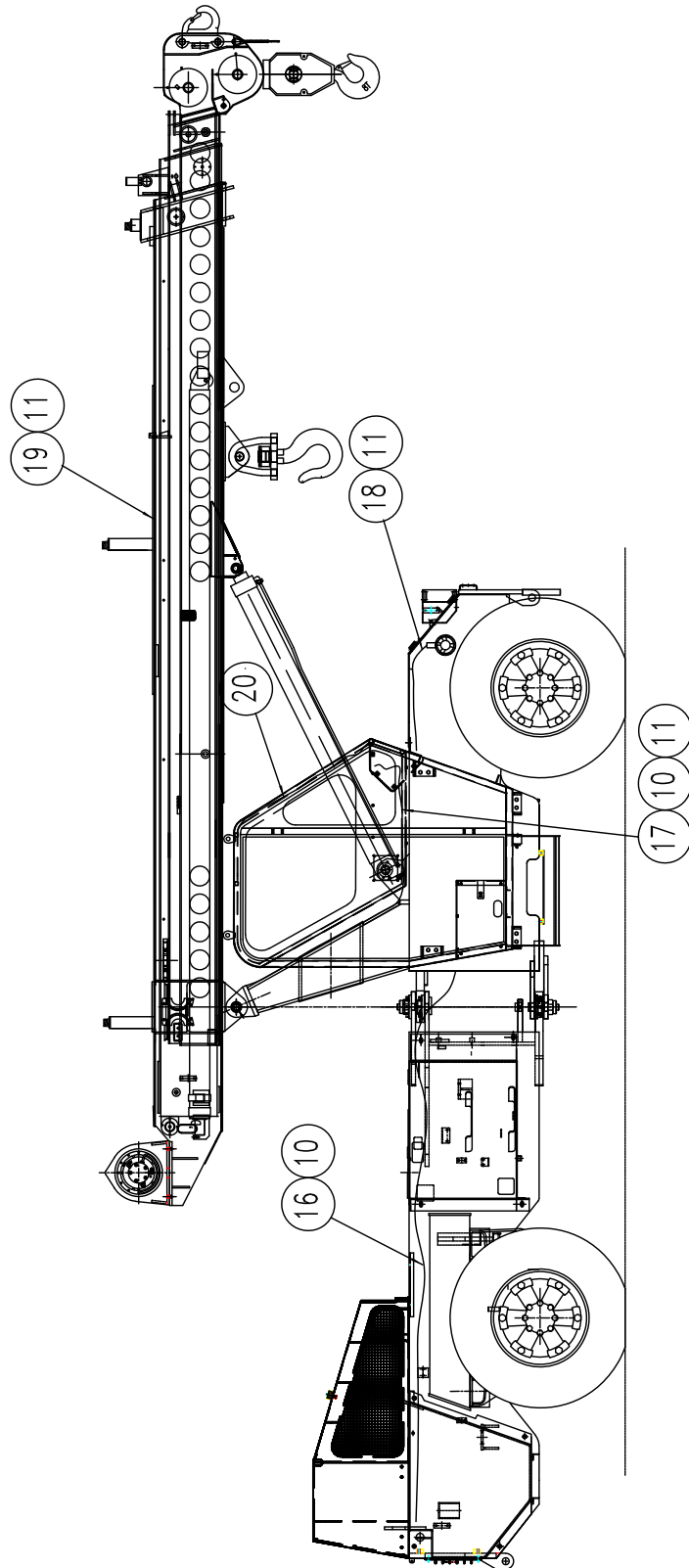


DETAIL - 'A'

F-15-2WD

ELECTRICAL		BATTERY & WIRING HARNESS ASSY.- C7310536-B		
S No	Part No	Description	Qty	Remarks
1	C841A1011C00	BATTERY BOX	1	
2	C8V194387500	BATTERY, 12V, 75AH	2	
3	C8V194310400	RUBBER PAD	2	
4	C8T104100200	HOLD DOWN SCREW	2	
5	C841F1016A00	BATTERY CLAMP BOTTOM	1	
6	C841F1017A00	BATTERY CLAMP TOP	1	
7	C822C2104A00	BATTERY LEAD +VE TO -VE TERMINAL	1	
8	C822C2103A00	BATTERY LEAD -VE TO EARTH	1	
9	C836A5002B00	BATTERY LEAD +VE TO STARTER	1	
10	C8F004716400	CABLE BINDING TIE 300 mm	30	
11	C8F004731100	CABLE BINDING TIE 200 mm	30	
13	C9100167	HEX HEAD BOLT M8X30	4	
14	C9100062	HEX NUT M8	4	
15	C9100046	SPRING WASHER M8	4	
16	C7306808	W/H CHASSIS	1	
17	C7306807	WIRING HARNESS DASHBOARD	1	
18	C7304012	WIRING HARNESS FRONT LIGHT	1	
19	C7304013	WIRING HARNESS BOOM	1	
20	C836C1007000	LOCK FOR BATTERY BOX COVER	1	
22	C7308094	W/H EXTENSION	1	

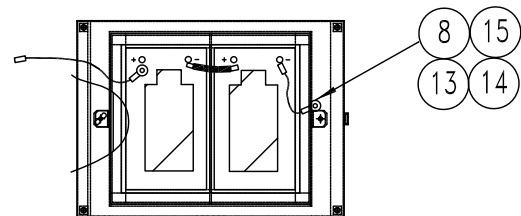
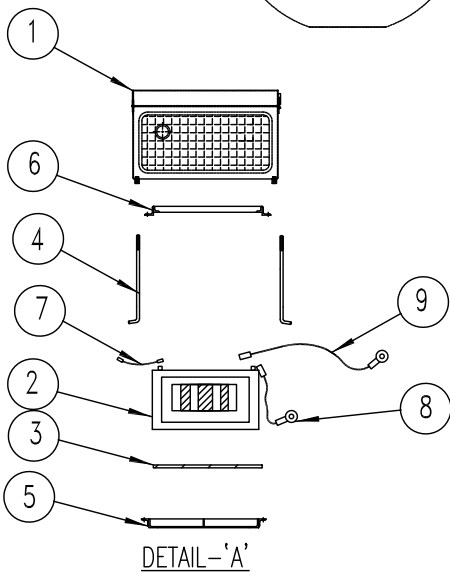
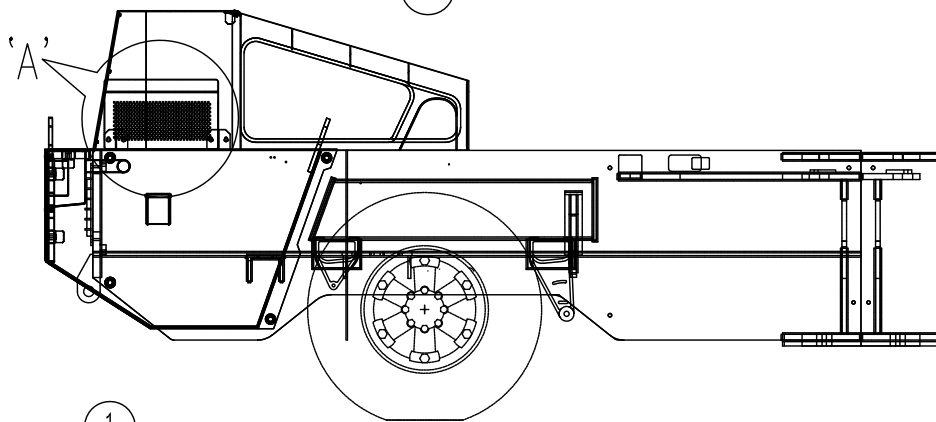
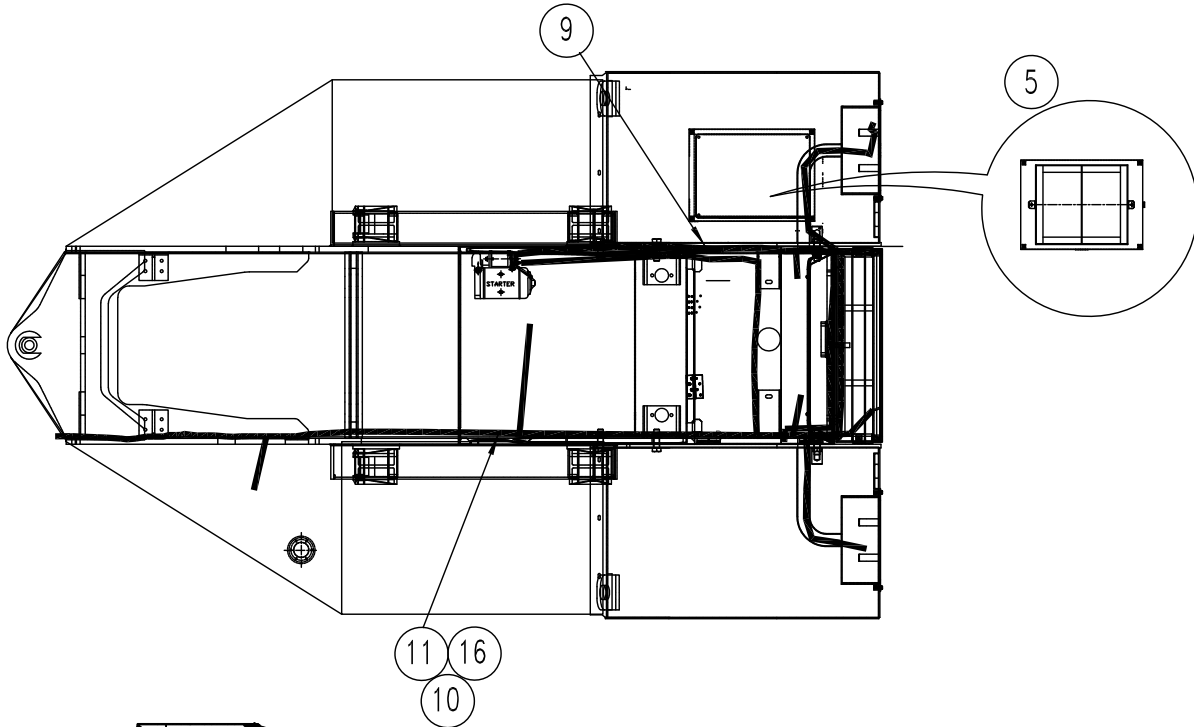
**BATTERY & WIRING HARNESS ASSY.- C7310342-C
ECA 1-3057 WITH ECE2169JH0057612 CUT-IN**



F-15-4WD

ELECTRICAL		BATTERY & WIRING HARNESS ASSY.- C7310342-C		
S No	Part No	Description	Qty	Remarks
1	C841A1011C00	BATTERY BOX	1	
2	C8V194387500	BATTERY, 12V, 75AH	2	
3	C8V194310400	RUBBER PAD	2	
4	C8T104100200	HOLD DOWN SCREW	2	
5	C841F1016A00	BATTERY CLAMP BOTTOM	1	
6	C841F1017A00	BATTERY CLAMP TOP	1	
7	C822C2104A00	BATTERY LEAD +VE TO -VE TERMINAL	1	
8	C822C2103A00	BATTERY LEAD -VE TO EARTH	1	
9	C836A5002B00	BATTERY LEAD +VE TO STARTER	1	
10	C8F004716400	CABLE BINDING TIE 300 mm	30	
11	C8F004731100	CABLE BINDING TIE 200 mm	30	
13	C9100167	HEX HEAD BOLT M8X30	4	
14	C9100062	HEX NUT M8	4	
15	C9100046	SPRING WASHER M8	4	
16	C7311905	WIRING HARNESS CHASSIS	1	
17	C7308091	WIRING HARNESS DASHBOARD	1	
18	C7304012	WIRING HARNESS FRONT LIGHT	1	
19	C7304013	WIRING HARNESS BOOM	1	
20	C836C1007000	LOCK FOR BATTERY BOX COVER	1	

**BATTERY & WIRING HARNESS ASSY.- C7310342-C
ECA 1-3057WITH ECE2169JH0057612 CUT-IN**

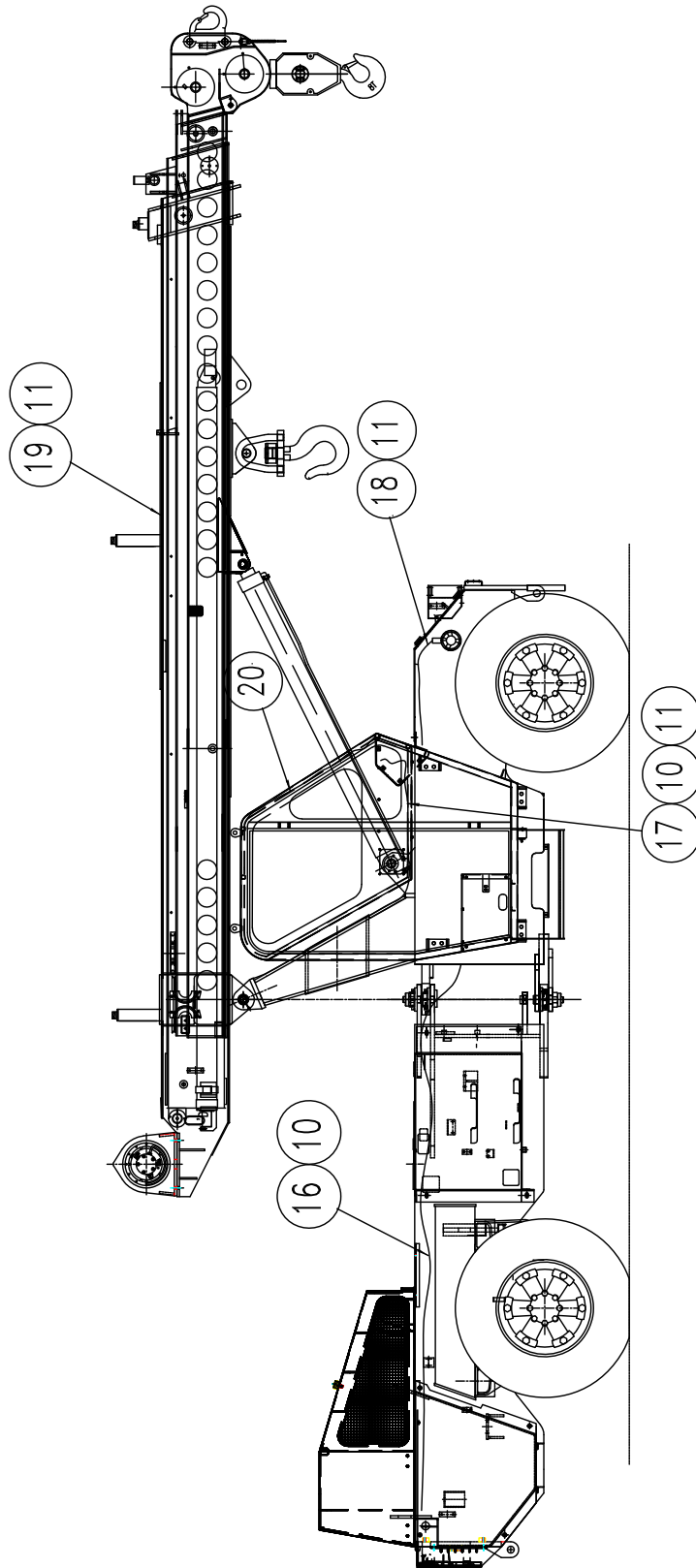


BATTERY CONNECTIONS

F-15-4WD

ELECTRICAL		BATTERY & WIRING HARNESS ASSY.- C7310342-C		
S No	Part No	Description	Qty	Remarks
1	C841A1011C00	BATTERY BOX	1	
2	C8V194387500	BATTERY, 12V, 75AH	2	
3	C8V194310400	RUBBER PAD	2	
4	C8T104100200	HOLD DOWN SCREW	2	
5	C841F1016A00	BATTERY CLAMP BOTTOM	1	
6	C841F1017A00	BATTERY CLAMP TOP	1	
7	C822C2104A00	BATTERY LEAD +VE TO -VE TERMINAL	1	
8	C822C2103A00	BATTERY LEAD -VE TO EARTH	1	
9	C836A5002B00	BATTERY LEAD +VE TO STARTER	1	
10	C8F004716400	CABLE BINDING TIE 300 mm	30	
11	C8F004731100	CABLE BINDING TIE 200 mm	30	
13	C9100167	HEX HEAD BOLT M8X30	4	
14	C9100062	HEX NUT M8	4	
15	C9100046	SPRING WASHER M8	4	
16	C7311905	WIRING HARNESS CHASSIS	1	
17	C7308091	WIRING HARNESS DASHBOARD	1	
18	C7304012	WIRING HARNESS FRONT LIGHT	1	
19	C7304013	WIRING HARNESS BOOM	1	
20	C836C1007000	LOCK FOR BATTERY BOX COVER	1	

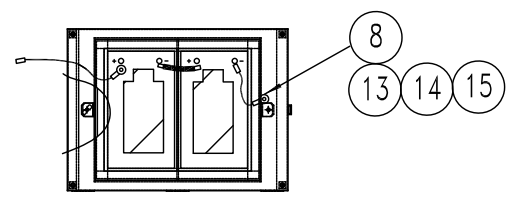
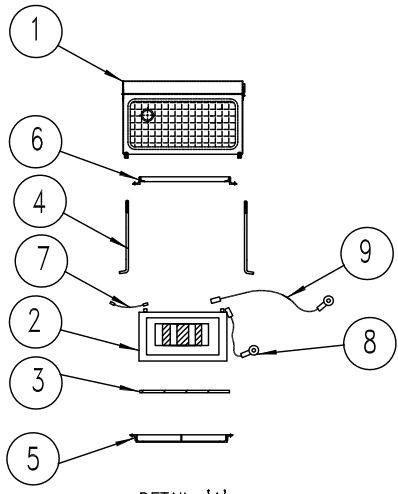
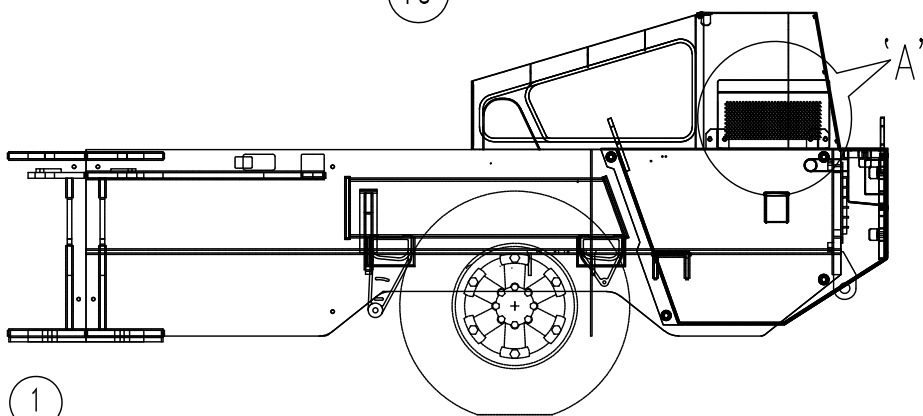
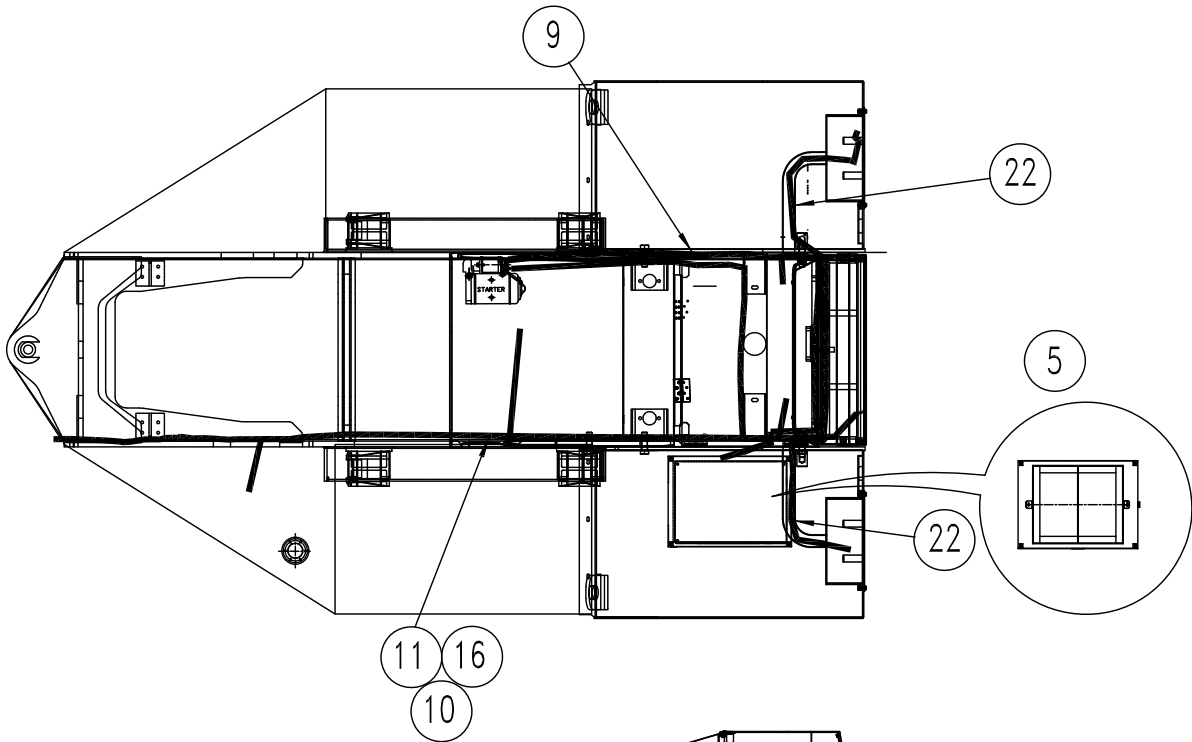
**BATTERY & WIRING HARNESS ASSY.- C7310536-C
ECA 1-3057 WITH ECE2169JH0057612 CUT-IN**



F-15-2WD

ELECTRICAL		BATTERY & WIRING HARNESS ASSY.- C7310536-C		
S No	Part No	Description	Qty	Remarks
1	C841A1011C00	BATTERY BOX	1	
2	C8V194387500	BATTERY, 12V, 75AH	2	
3	C8V194310400	RUBBER PAD	2	
4	C8T104100200	HOLD DOWN SCREW	2	
5	C841F1016A00	BATTERY CLAMP BOTTOM	1	
6	C841F1017A00	BATTERY CLAMP TOP	1	
7	C822C2104A00	BATTERY LEAD +VE TO -VE TERMINAL	1	
8	C822C2103A00	BATTERY LEAD -VE TO EARTH	1	
9	C836A5002B00	BATTERY LEAD +VE TO STARTER	1	
10	C8F004716400	CABLE BINDING TIE 300 mm	30	
11	C8F004731100	CABLE BINDING TIE 200 mm	30	
13	C9100167	HEX HEAD BOLT M8X30	4	
14	C9100062	HEX NUT M8	4	
15	C9100046	SPRING WASHER M8	4	
16	C7311905	WIRING HARNESS CHASSIS	1	
17	C7306807	WIRING HARNESS DASHBOARD	1	
18	C7304012	WIRING HARNESS FRONT LIGHT	1	
19	C7304013	WIRING HARNESS BOOM	1	
20	C836C1007000	LOCK FOR BATTERY BOX COVER	1	
22	C7311907	W/H EXTENSION	1	

**BATTERY & WIRING HARNESS ASSY.- C7310536-C
ECA 1-3057 WITH ECE2169JH0057612 CUT-IN**

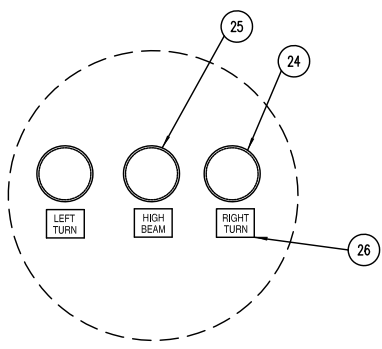
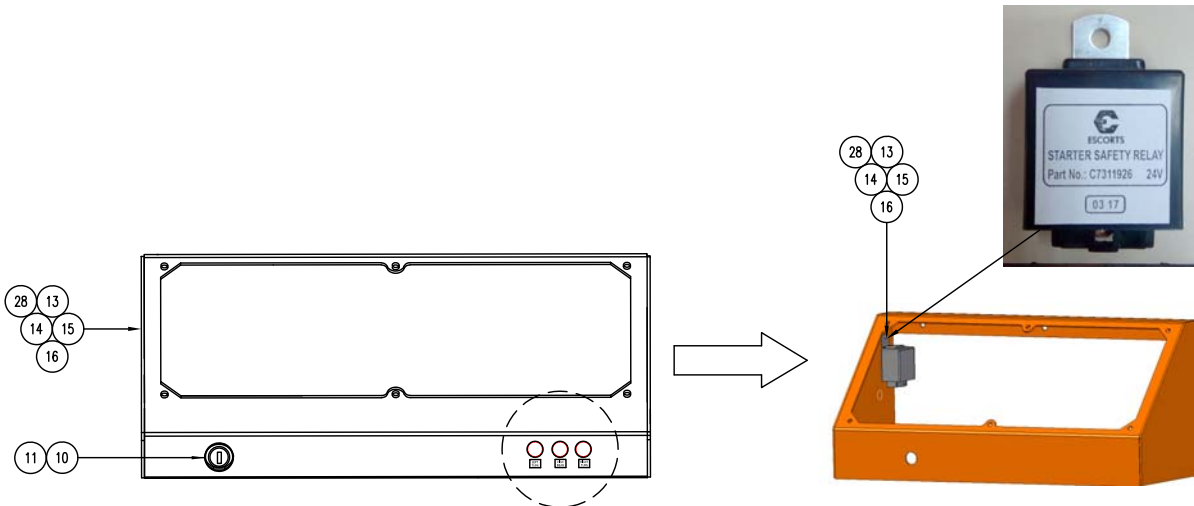
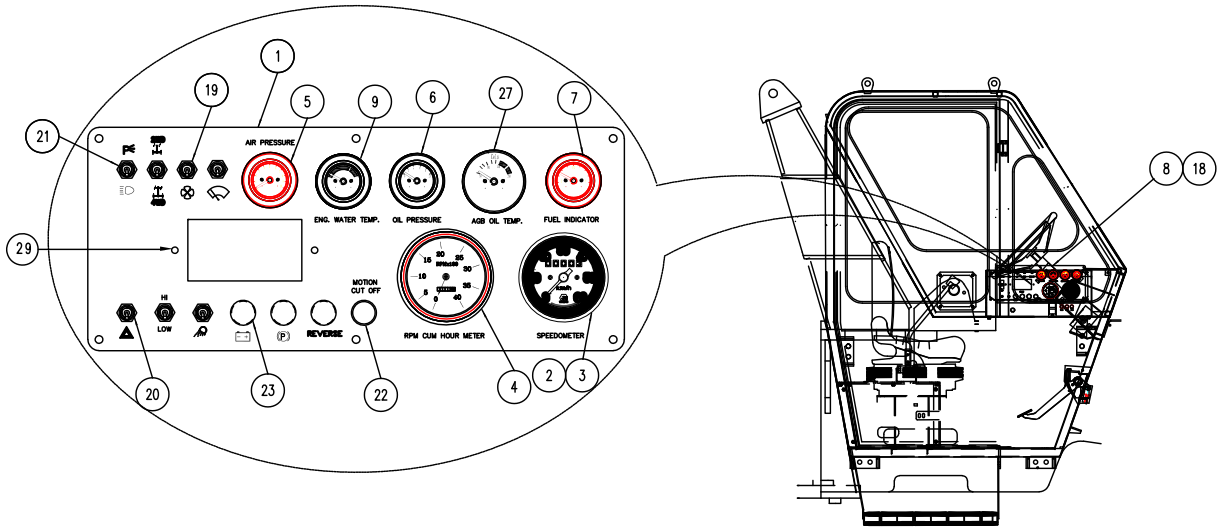


BATTERY CONNECTIONS

F-15-2WD

ELECTRICAL		BATTERY & WIRING HARNESS ASSY.- C7310536-C		
S No	Part No	Description	Qty	Remarks
1	C841A1011C00	BATTERY BOX	1	
2	C8V194387500	BATTERY, 12V, 75AH	2	
3	C8V194310400	RUBBER PAD	2	
4	C8T104100200	HOLD DOWN SCREW	2	
5	C841F1016A00	BATTERY CLAMP BOTTOM	1	
6	C841F1017A00	BATTERY CLAMP TOP	1	
7	C822C2104A00	BATTERY LEAD +VE TO -VE TERMINAL	1	
8	C822C2103A00	BATTERY LEAD -VE TO EARTH	1	
9	C836A5002B00	BATTERY LEAD +VE TO STARTER	1	
10	C8F004716400	CABLE BINDING TIE 300 mm	30	
11	C8F004731100	CABLE BINDING TIE 200 mm	30	
13	C9100167	HEX HEAD BOLT M8X30	4	
14	C9100062	HEX NUT M8	4	
15	C9100046	SPRING WASHER M8	4	
16	C7311905	WIRING HARNESS CHASSIS	1	
17	C7306807	WIRING HARNESS DASHBOARD	1	
18	C7304012	WIRING HARNESS FRONT LIGHT	1	
19	C7304013	WIRING HARNESS BOOM	1	
20	C836C1007000	LOCK FOR BATTERY BOX COVER	1	
22	C7311907	W/H EXTENSION	1	

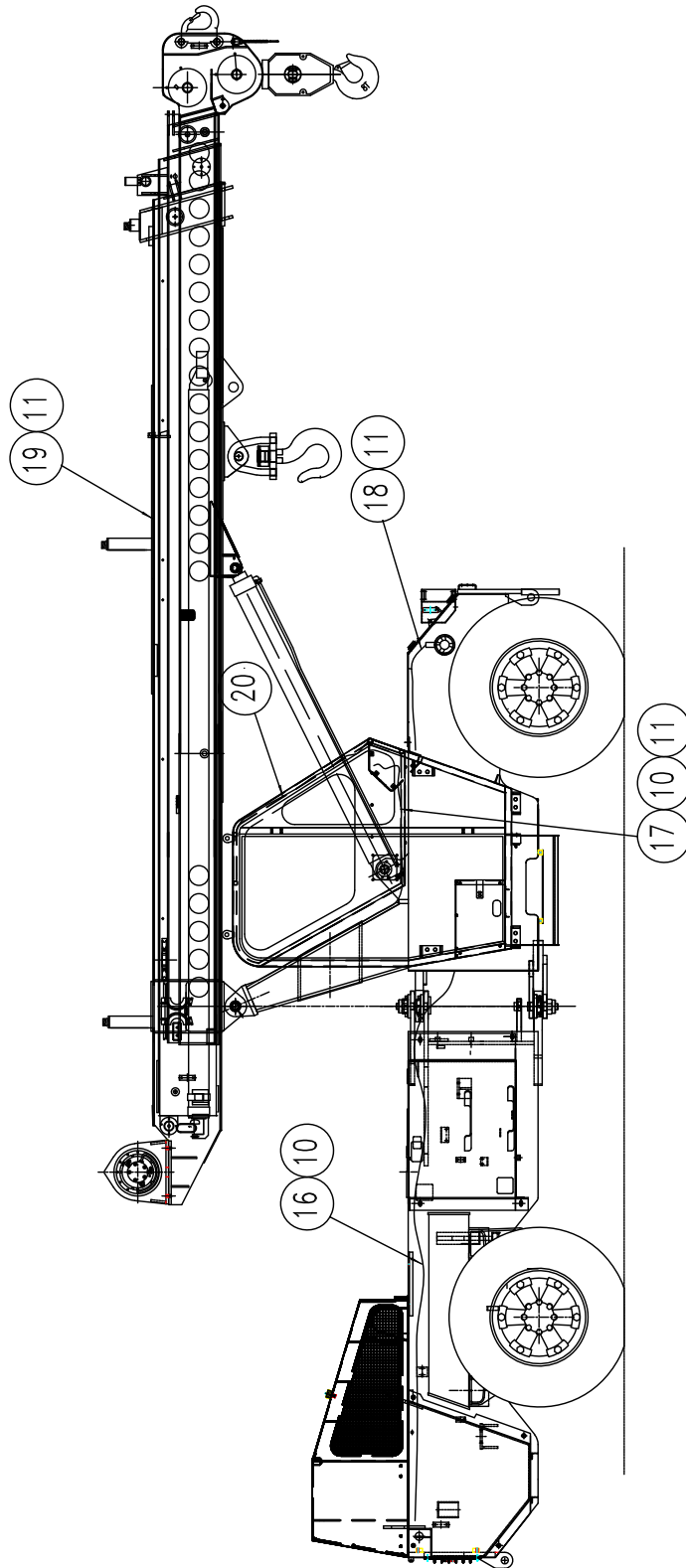
DASHBOARD ASSEMBLY- C7312050-A ECA 1-3267 WITH ECE02169CH0062813 CUT-IN



F-15-4WD

ELECTRICAL		DASHBOARD ASSEMBLY- C7312050-A		
S No	Part No	Description	Qty	Remarks
1	C7312049	PLATE DASHBOARD	1	
2	C7308165	SPEEDOMETER	1	
3	C7306958	SPEEDOMETER CABLE	1	
4	C7304044	RPM CUM HOUR METER	1	
5	C8V051715000	AIR PRESSURE GAUGE	1	
6	C7304010	ENGINE OIL PRESSURE GAUGE	1	
7	C8F179602600	FUEL GAUGE	1	
8	C8V171700600	STEERING COLUMN SWITCH	1	
9	C7304011	WATER TEMP. GAUGE	1	
10	C819B5023000	MAIN IGNITION KEY	2	
11	C8T111703700	MAIN IGNITION SWITCH	1	
13	C9100074	HEX BOLT M6X20	1	
14	C9100342	HEX NUT M6	1	
15	C9100073	PLAIN WASHER M6	1	
16	C9100150	SPRING LOCK WASHRER	1	
18	C836C5038000	GROMMET FOR STEERING COLUMN SW	1	
19	C8V124301900	TOGGLE SWITCH TS-1010 SPST	4	
20	C8PP10284000	TOGGLE SWICH TS-1022	2	
21	C7302349	TOGGLE SWITCH TS-10223	1	
22	C836C5039000	DUMMY PLUG (RUBBER GROMMET)	1	
23	C8F853603700	INDICATING LAMP (RED), 24V	3	
24	C8F853604000	INDICATING LAMP (GREEN), 24V	2	
25	C8F853603900	INDICATING LAMP (BLUE), 24V	1	
26	C7303081	STICKER	1	
27	C7306977	AGB TEMP. GAUGE	1	
28	C7311926	RELAY STARTER SAFETY 24V	1	
29	C8V194309200	SPACER	2	

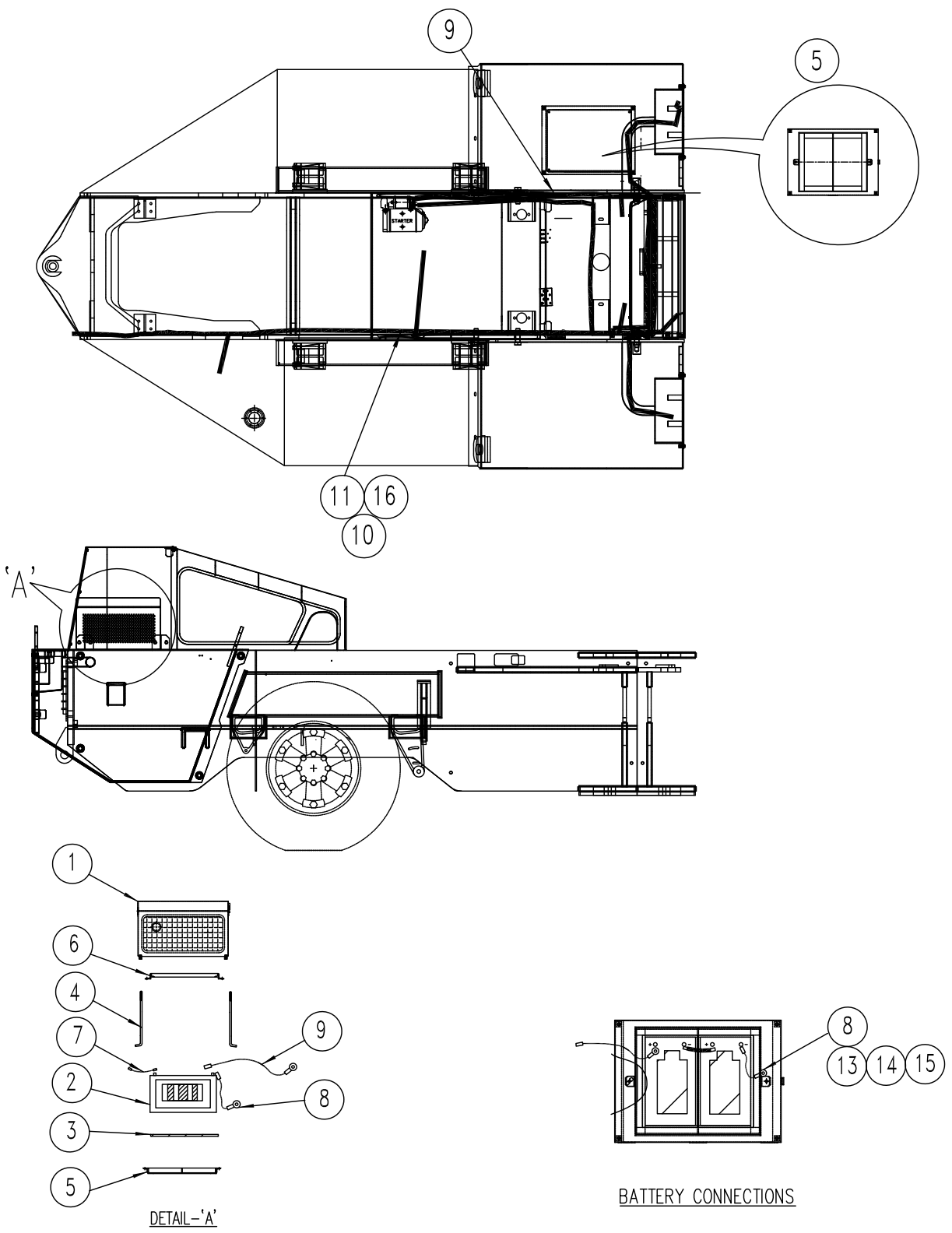
BATTERY & WIRING HARNESS ASSLY- C7312051-A
ECA 1-3267 WITH ECE02169CH0062813 CUT-IN



F-15-4WD

ELECTRICAL		BATTERY & WIRING HARNESS ASSEMBLY- C7312051-A		
S No	Part No	Description	Qty	Remarks
1	C841A1011C00	BATTERY BOX	1	
2	C8V194387500	BATTERY, 12V, 75AH	2	
3	C8V194310400	RUBBER PAD	2	
4	C8T104100200	HOLD DOWN SCREW	2	
5	C841F1016A00	BATTERY CLAMP BOTTOM	1	
6	C841F1017A00	BATTERY CLAMP TOP	1	
7	C822C2104A00	BATTERY LEAD +VE TO -VE TERMINAL	1	
8	C822C2103A00	BATTERY LEAD -VE TO EARTH	1	
9	C836A5002B00	BATTERY LEAD +VE TO STARTER	1	
10	C8F004716400	CABLE BINDING TIE 300 mm	30	
11	C8F004731100	CABLE BINDING TIE 200 mm	30	
13	C9100167	HEX HEAD BOLT M8X30	4	
14	C9100062	HEX NUT M8	4	
15	C9100046	SPRING WASHER M8	4	
16	C7312048	WIRING HARNESS CHASSIS	1	
17	C7311983	WIRING HARNESS DASHBOARD	1	
18	C7304012	WIRING HARNESS FRONT LIGHT	1	
19	C7304013	WIRING HARNESS BOOM	1	
20	C836C1007000	LOCK FOR BATTERY BOX COVER	1	

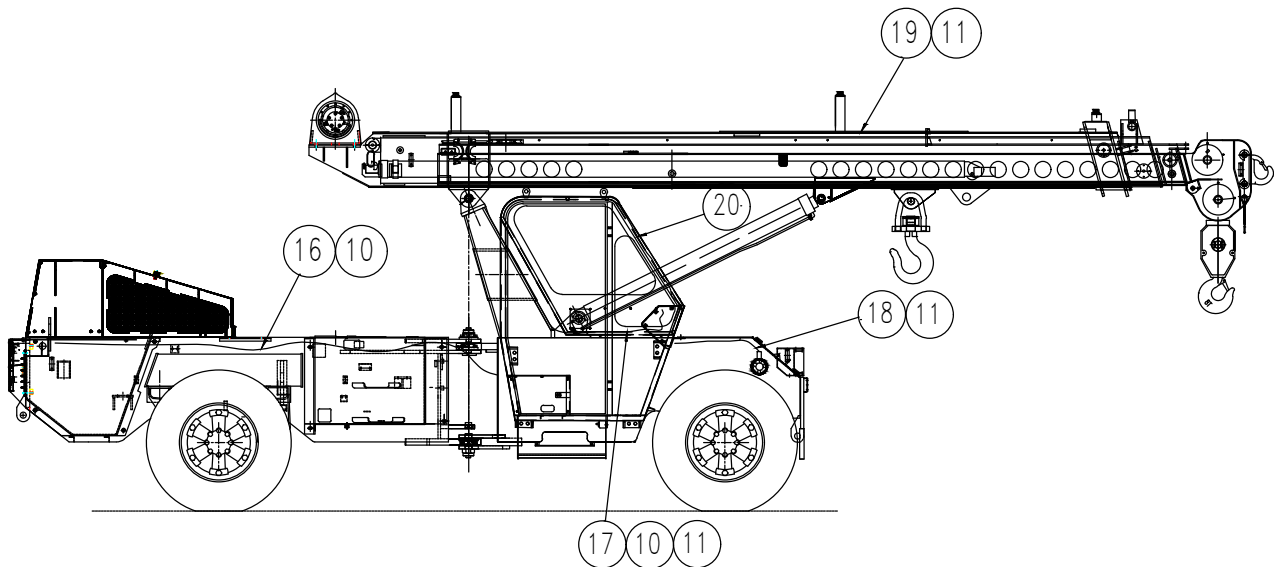
**BATTERY & WIRING HARNESS ASSLY- C7312051-A
ECA 1-3267 WITH EC02169CH0062813 CUT-IN**



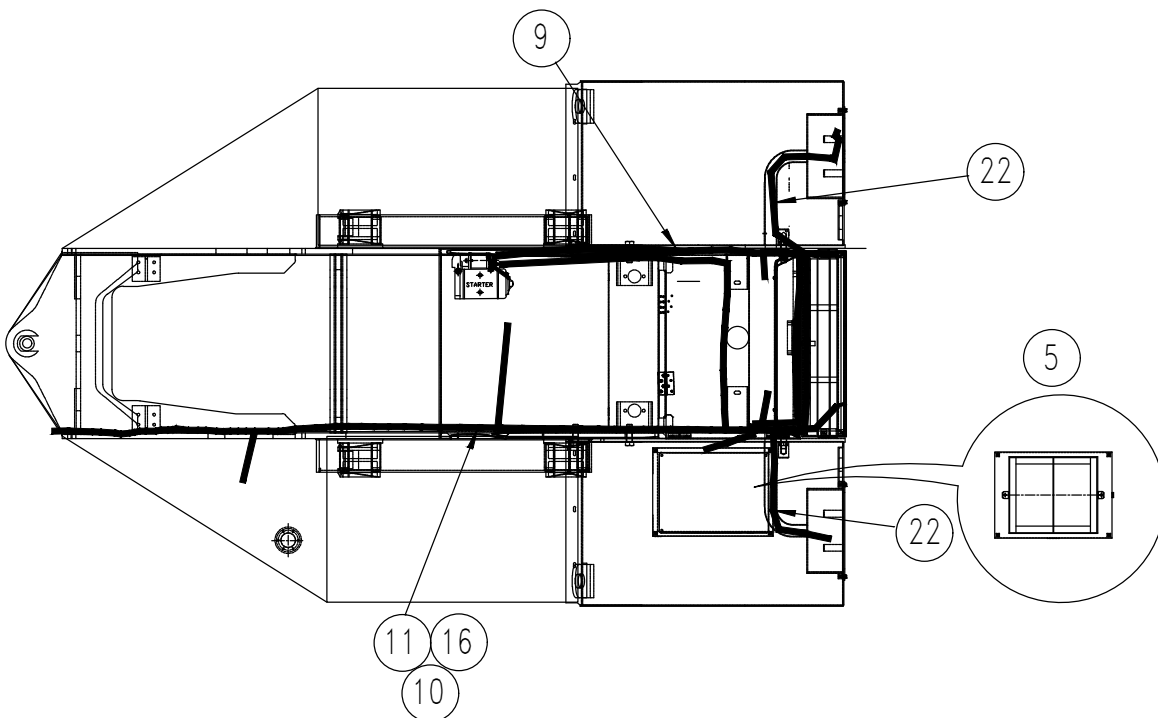
F-15-4WD

ELECTRICAL		BATTERY & WIRING HARNESS ASSEMBLY- C7312051-A		
S No	Part No	Description	Qty	Remarks
1	C841A1011C00	BATTERY BOX	1	
2	C8V194387500	BATTERY, 12V, 75AH	2	
3	C8V194310400	RUBBER PAD	2	
4	C8T104100200	HOLD DOWN SCREW	2	
5	C841F1016A00	BATTERY CLAMP BOTTOM	1	
6	C841F1017A00	BATTERY CLAMP TOP	1	
7	C822C2104A00	BATTERY LEAD +VE TO -VE TERMINAL	1	
8	C822C2103A00	BATTERY LEAD -VE TO EARTH	1	
9	C836A5002B00	BATTERY LEAD +VE TO STARTER	1	
10	C8F004716400	CABLE BINDING TIE 300 mm	30	
11	C8F004731100	CABLE BINDING TIE 200 mm	30	
13	C9100167	HEX HEAD BOLT M8X30	4	
14	C9100062	HEX NUT M8	4	
15	C9100046	SPRING WASHER M8	4	
16	C7312048	WIRING HARNESS CHASSIS	1	
17	C7311983	WIRING HARNESS DASHBOARD	1	
18	C7304012	WIRING HARNESS FRONT LIGHT	1	
19	C7304013	WIRING HARNESS BOOM	1	
20	C836C1007000	LOCK FOR BATTERY BOX COVER	1	

**BATTERY & WIRING HARNESS ASSY.- C7310536-D
ECA 1-3267 WITH ECE02169CH0062813 CUT-IN**



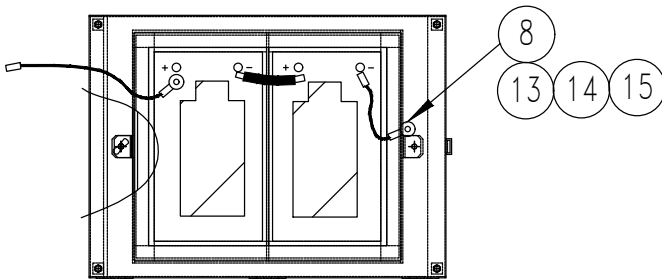
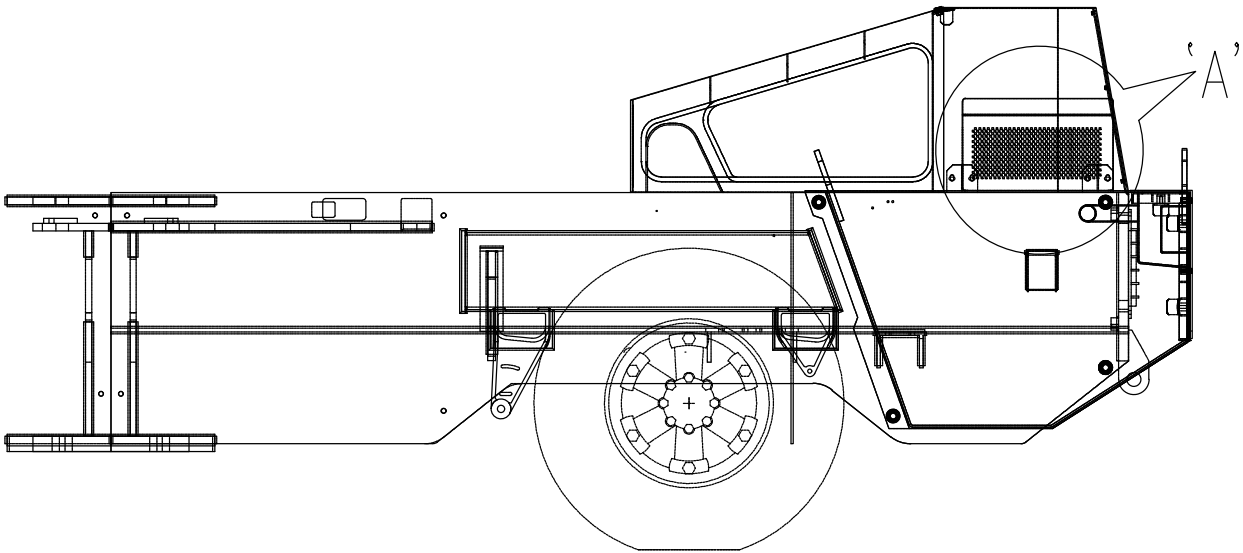
SIDE VIEW



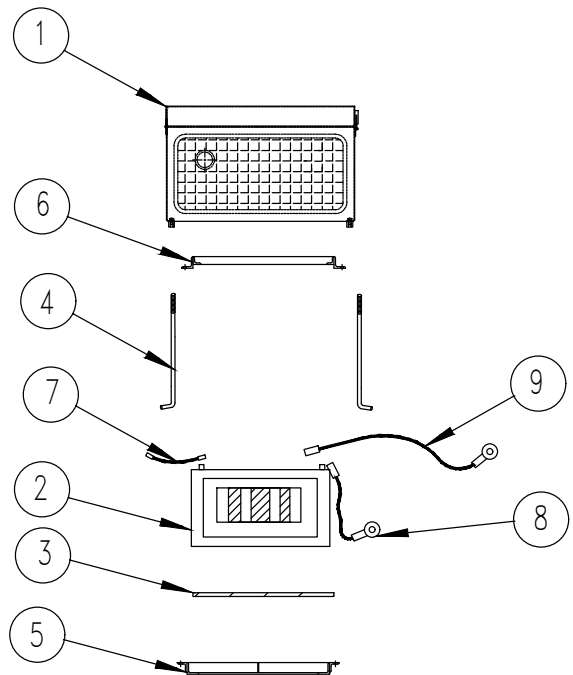
F-15-2WD

ELECTRICAL		BATTERY & WIRING HARNESS ASSY.- C7310536-D		
S No	Part No	Description	Qty	Remarks
1	C841A1011C00	BATTERY BOX	1	
2	C8V194387500	BATTERY, 12V, 75AH	2	
3	C8V194310400	RUBBER PAD	2	
4	C8T104100200	HOLD DOWN SCREW	2	
5	C841F1016A00	BATTERY CLAMP BOTTOM	1	
6	C841F1017A00	BATTERY CLAMP TOP	1	
7	C822C2104A00	BATTERY LEAD +VE TO -VE TERMINAL	1	
8	C822C2103A00	BATTERY LEAD -VE TO EARTH	1	
9	C836A5002B00	BATTERY LEAD +VE TO STARTER	1	
10	C8F004716400	CABLE BINDING TIE 300 mm	30	
11	C8F004731100	CABLE BINDING TIE 200 mm	30	
13	C9100167	HEX HEAD BOLT M8X30	4	
14	C9100062	HEX NUT M8	4	
15	C9100046	SPRING WASHER M8	4	
16	C7312048	WIRING HARNESS CHASSIS	1	
17	C7312068	WIRING HARNESS DASHBOARD	1	
18	C7304012	WIRING HARNESS FRONT LIGHT	1	
19	C7304013	WIRING HARNESS BOOM	1	
20	C836C1007000	LOCK FOR BATTERY BOX COVER	1	
22	C7311907	W/H EXTENSION	1	

**BATTERY & WIRING HARNESS ASSY.- C7310536-D
ECA 1-3267 WITH ECE02169CH0062813 CUT-IN**



BATTERY CONNECTIONS

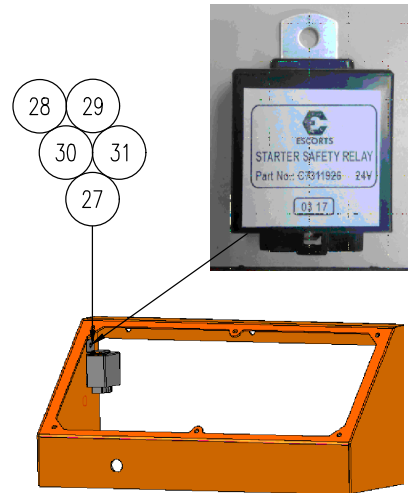
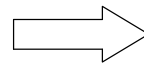
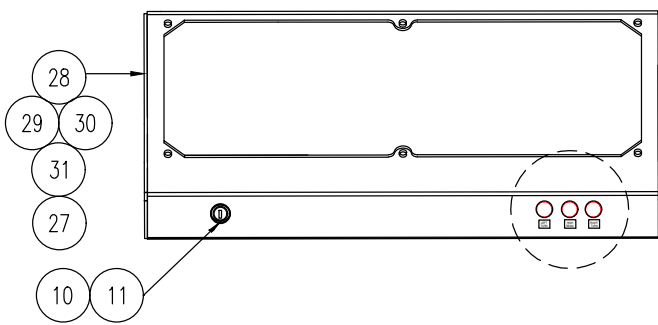
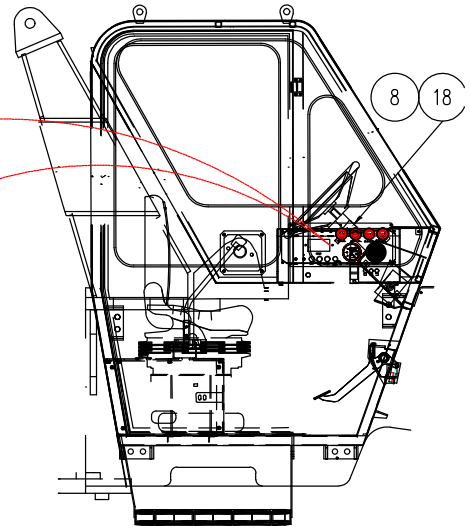
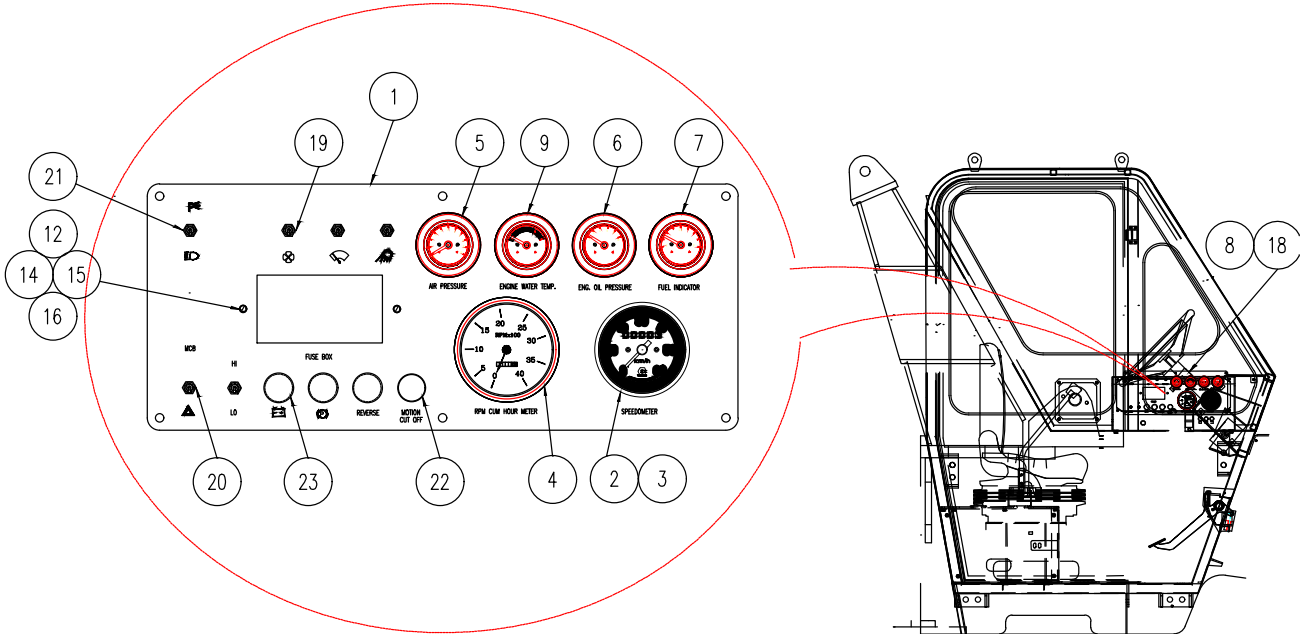


DETAIL - 'A'

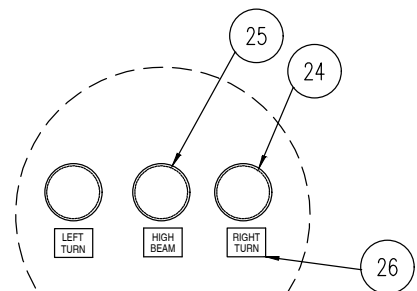
F-15-2WD

ELECTRICAL		BATTERY & WIRING HARNESS ASSY.- C7310536-D		
S No	Part No	Description	Qty	Remarks
1	C841A1011C00	BATTERY BOX	1	
2	C8V194387500	BATTERY, 12V, 75AH	2	
3	C8V194310400	RUBBER PAD	2	
4	C8T104100200	HOLD DOWN SCREW	2	
5	C841F1016A00	BATTERY CLAMP BOTTOM	1	
6	C841F1017A00	BATTERY CLAMP TOP	1	
7	C822C2104A00	BATTERY LEAD +VE TO -VE TERMINAL	1	
8	C822C2103A00	BATTERY LEAD -VE TO EARTH	1	
9	C836A5002B00	BATTERY LEAD +VE TO STARTER	1	
10	C8F004716400	CABLE BINDING TIE 300 mm	30	
11	C8F004731100	CABLE BINDING TIE 200 mm	30	
13	C9100167	HEX HEAD BOLT M8X30	4	
14	C9100062	HEX NUT M8	4	
15	C9100046	SPRING WASHER M8	4	
16	C7312048	WIRING HARNESS CHASSIS	1	
17	C7312068	WIRING HARNESS DASHBOARD	1	
18	C7304012	WIRING HARNESS FRONT LIGHT	1	
19	C7304013	WIRING HARNESS BOOM	1	
20	C836C1007000	LOCK FOR BATTERY BOX COVER	1	
22	C7311907	W/H EXTENSION	1	

**DASHBOARD ASSY.- C7310535-B
ECA 1-3267 WITH ECE02169CH0062813 CUT-IN**



28 29 31
RELAY MOUNTING

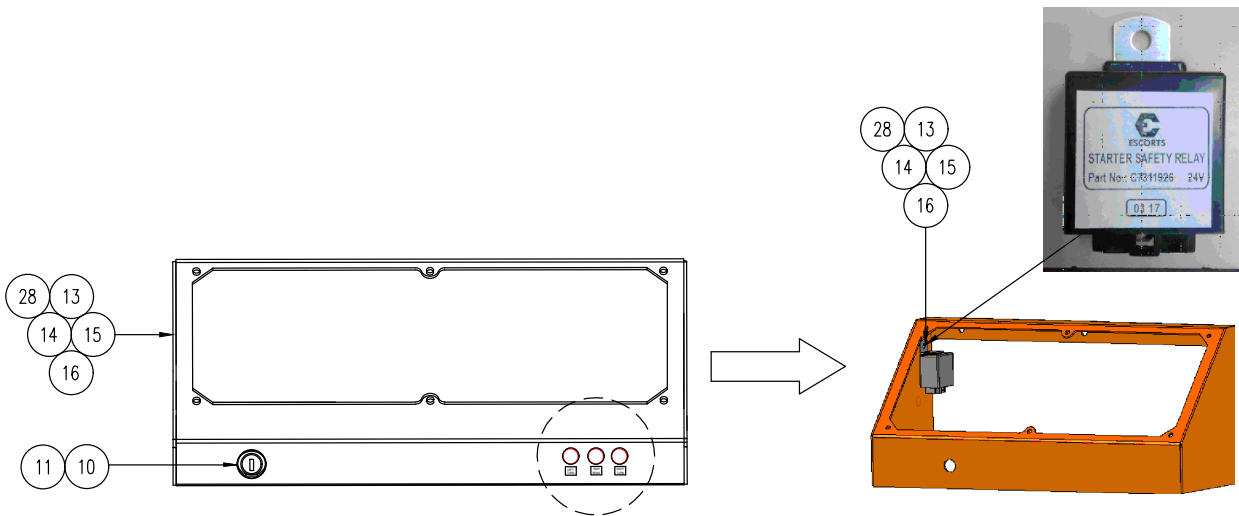
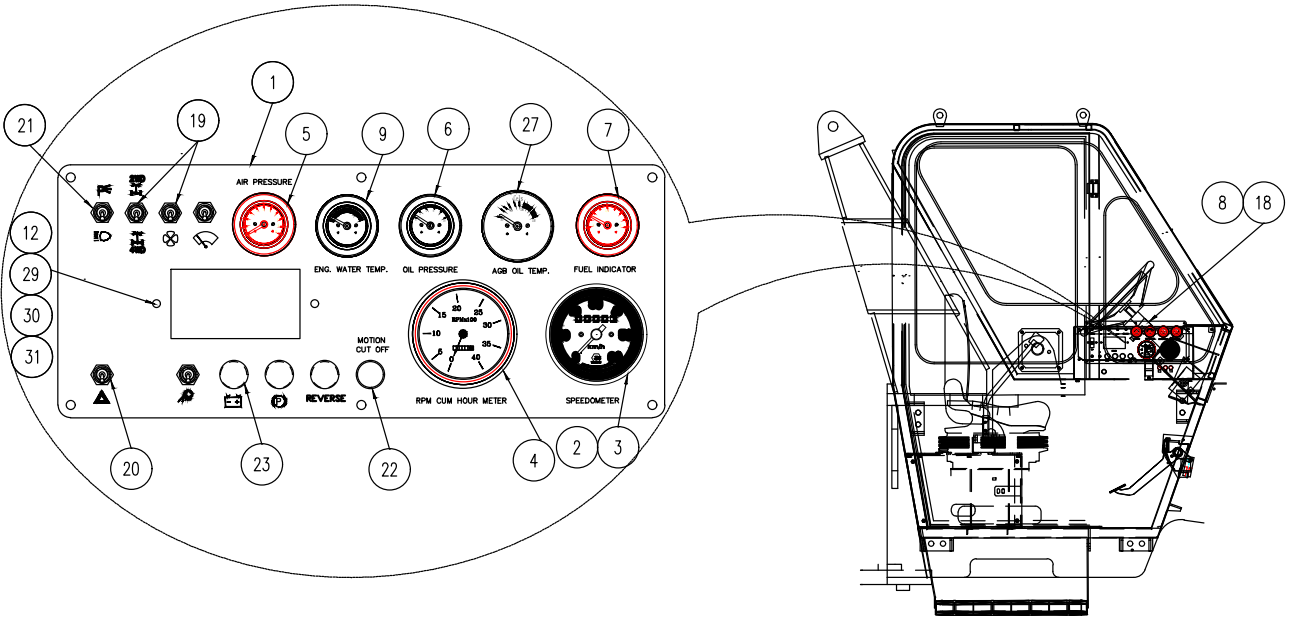


**DETAILED VIEW
OF STICKER PLACEMENT**

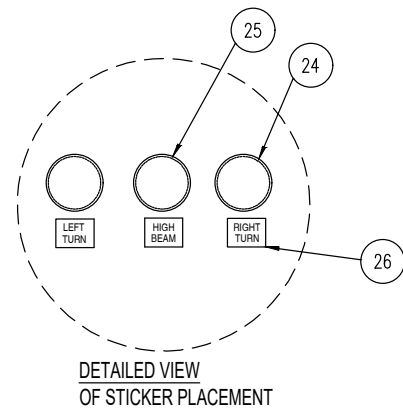
F-15-2WD

ELECTRICAL		DASHBOARD ASSY.- C7310535-B		
S No	Part No	Description	Qty	Remarks
1	C7312070	DASHBOARD PLATE	1	
2	C7301827	SPEEDOMETER	1	
3	C7306958	SPEEDOMETER CABLE	1	
4	C7304044	RPM CUM HOUR METER	1	
5	C8V051715000	AIR PRESSURE GAUGE	1	
6	C7304010	ENGINE OIL PRESSURE GAUGE	1	
7	C8F179602600	FUEL GAUGE	1	
8	C836B5001000	STEERING COLUMN SWITCH	1	
9	C7304011	WATER TEMP. GAUGE	1	
10	C819B5023000	MAIN IGNITION KEY	2	
11	C8T111703700	MAIN IGNITION SWITCH	1	
12	C8V194309200	SPEACER 12 OD 35L	2	
14	C9100455	CHEESE HEAD SCREW M5X70	2	
15	C9100460	SPRING WASHER M5	2	
16	C9100341	HEX NUT M5	2	
18	C836C5038000	GROMMET FOR STEERING COLUMN SW	1	
19	C8V124301900	TOGGLE SWITCH TS-1010 SPST	4	
20	C8PP10284000	TOGGLE SWICH TS-1022	1	
21	C7302349	TOGGLE SWITCH TS-10223	1	
22	C836C5039000	DUMMY PLUG (RUBBER GROMMET)	1	
23	C8F853603700	INDICATING LAMP (RED), 24V	3	
24	C8F853604000	INDICATING LAMP (GREEN), 24V	2	
25	C8F853603900	INDICATING LAMP (BLUE), 24V	1	
26	C7303081	STICKER	1	
27	C7311926	SELF SAFETY RELAY	1	
28	C9100445	HEXAGON HEAD SCREW -IS 1364 -M6X15-8.8	9	
29	C9100073	PLAIN WASHER A6 IS2016 STEEL	9	
30	C9100342	HEX NUT M6	1	
31	C9100150	SPRING WASHER M6	9	

DASHBOARD ASSEMBLY- C7312050-B ECA 1-3320 WITH ECE02169CH0062813 CUT-IN



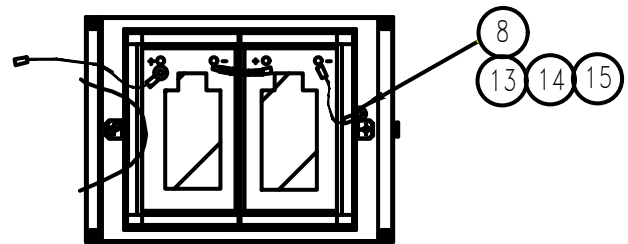
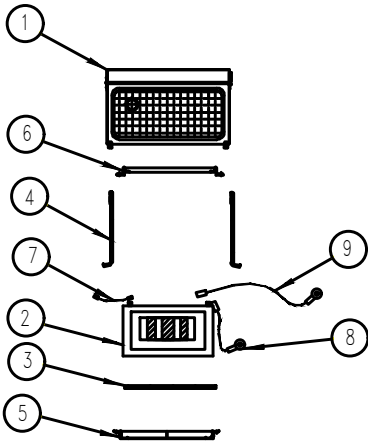
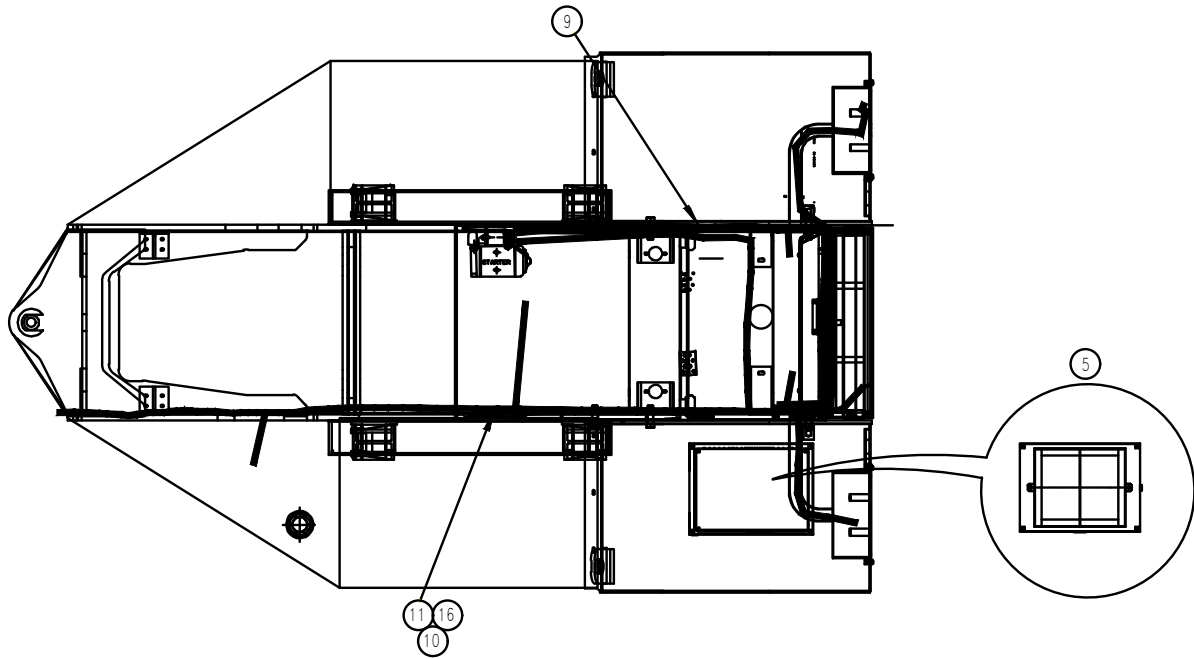
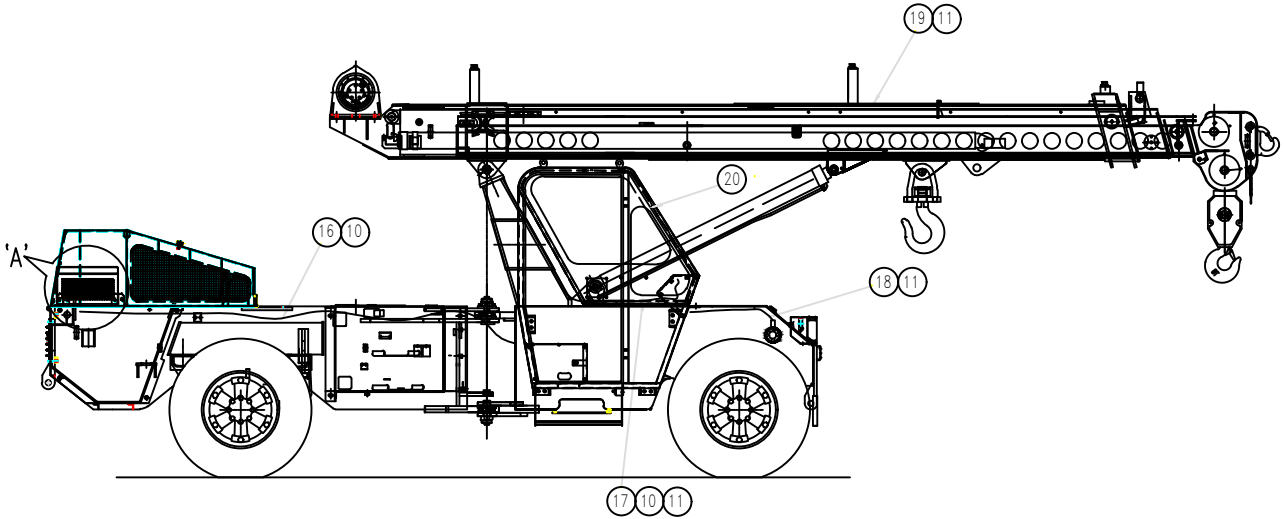
13 15 16
RELAY MOUNTING



F-15-4WD

ELECTRICAL		DASHBOARD ASSEMBLY- C7312050-B		
S No	Part No	Description	Qty	Remarks
1	C7312049	PLATE DASHBOARD	1	
2	C7308165	SPEEDOMETER	1	
3	C7306958	SPEEDOMETER CABLE	1	
4	C7304044	RPM CUM HOUR METER	1	
5	C8V051715000	AIR PRESSURE GAUGE	1	
6	C7304010	ENGINE OIL PRESSURE GAUGE	1	
7	C8F179602600	FUEL GAUGE	1	
8	C836B5001000	STEERING COLUMN SWITCH	1	
9	C7304011	WATER TEMP. GAUGE	1	
10	C819B5023000	MAIN IGNITION KEY	2	
11	C8T111703700	MAIN IGNITION SWITCH	1	
12	C8V194309200	SPACER L-35	2	
13	C9100445	HEXAGONAL HEAD SCREW M6X15	9	
14	C9100342	HEX NUT M6	1	
15	C9100073	PLAIN WASHER M6	9	
16	C9100150	SPRING LOCK WASHRER	9	
18	C836C5038000	GROMMET FOR STEERING COLUMN SW	1	
19	C8V124301900	TOGGLE SWITCH TS-1010 SPST	4	
20	C8PP10284000	TOGGLE SWICH TS-1022	1	
21	C7302349	TOGGLE SWITCH TS-10223	1	
22	C836C5039000	DUMMY PLUG (RUBBER GROMMET)	1	
23	C8F853603700	INDICATING LAMP (RED), 24V	3	
24	C8F853604000	INDICATING LAMP (GREEN), 24V	2	
25	C8F853603900	INDICATING LAMP (BLUE), 24V	1	
26	C7303081	STICKER	1	
27	C7306977	AGB TEMP. GAUGE	1	
28	C7311926	RELAY STARTER SAFETY 24V	1	
29	C9100455	ROUND HEAD SCREW M5X70.8	2	
30	C9100460	SPRING LOCK WASHER A5 IS:3063	2	
31	C9100341	HEXAGON NUT -IS 1364 (PART-3)/ISO 4032-M5-8	2	

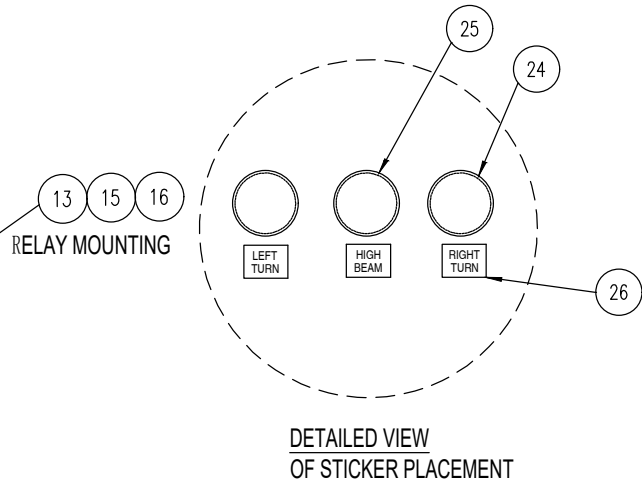
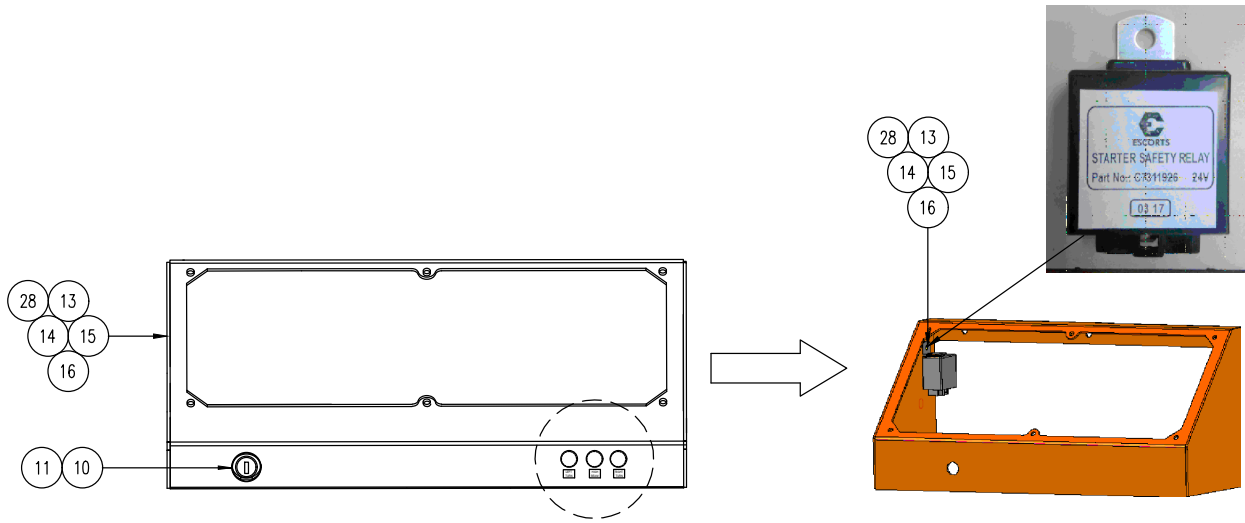
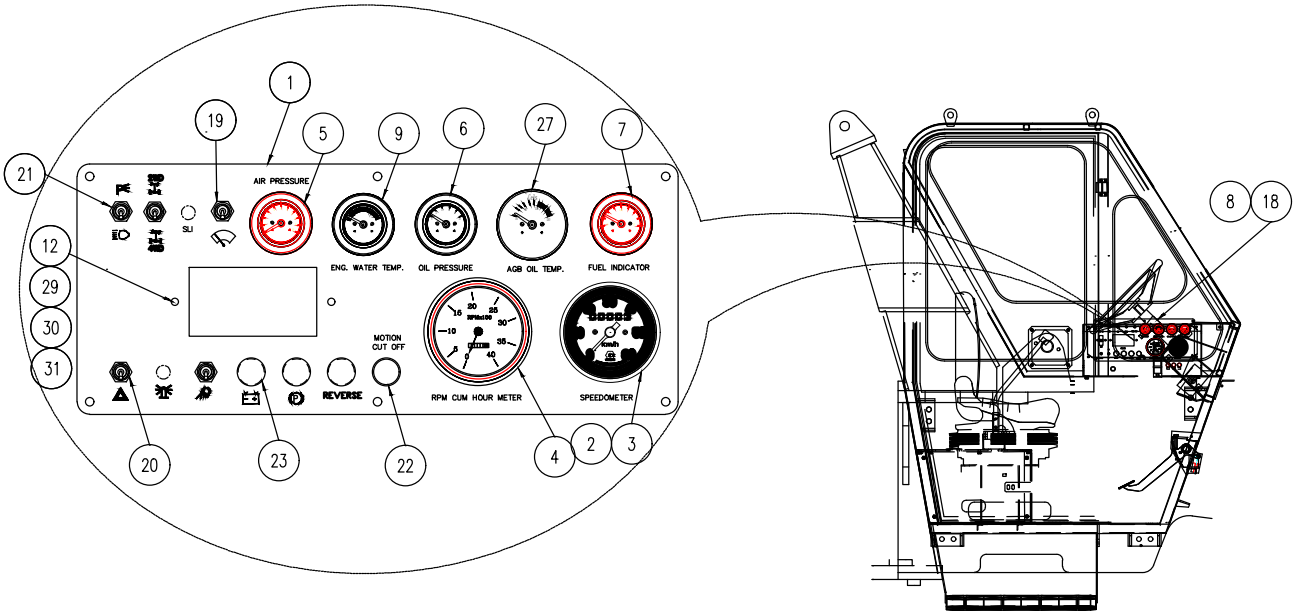
**BATTERY & WIRING HARNESS ASSY-C7312051-B
ECA 1-3320 WITH ECE02169CH0062813 CUT-IN**



F-15-4WD

ELECTRICAL		BATTERY & WIRING HARNESS ASSEMBLY- C7312051-B		
S No	Part No	Description	Qty	Remarks
1	C841A1011C00	BATTERY BOX	1	
2	C8V194387500	BATTERY, 12V, 75AH	2	
3	C8V194310400	RUBBER PAD	2	
4	C8T104100200	HOLD DOWN SCREW	2	
5	C841F1016A00	BATTERY CLAMP BOTTOM	1	
6	C841F1017A00	BATTERY CLAMP TOP	1	
7	C822C2104A00	BATTERY LEAD +VE TO -VE TERMINAL	1	
8	C822C2103A00	BATTERY LEAD -VE TO EARTH	1	
9	C836A5002B00	BATTERY LEAD +VE TO STARTER	1	
10	C8F004716400	CABLE BINDING TIE 300 mm	30	
11	C8F004731100	CABLE BINDING TIE 200 mm	30	
12				
13	C9100167	HEX HEAD BOLT M8X30	4	
14	C9100062	HEX NUT M8	4	
15	C9100046	SPRING WASHER M8	4	
16	C7312048	WIRING HARNESS CHASSIS	1	
17	C7311983	WIRING HARNESS DASHBOARD	1	
18	C7304012	WIRING HARNESS FRONT LIGHT	1	
19	C7304013	WIRING HARNESS BOOM	1	
20	C836C1007000	LOCK FOR BATTERY BOX COVER	1	

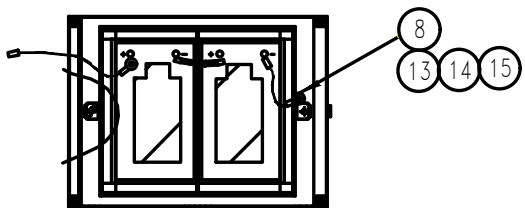
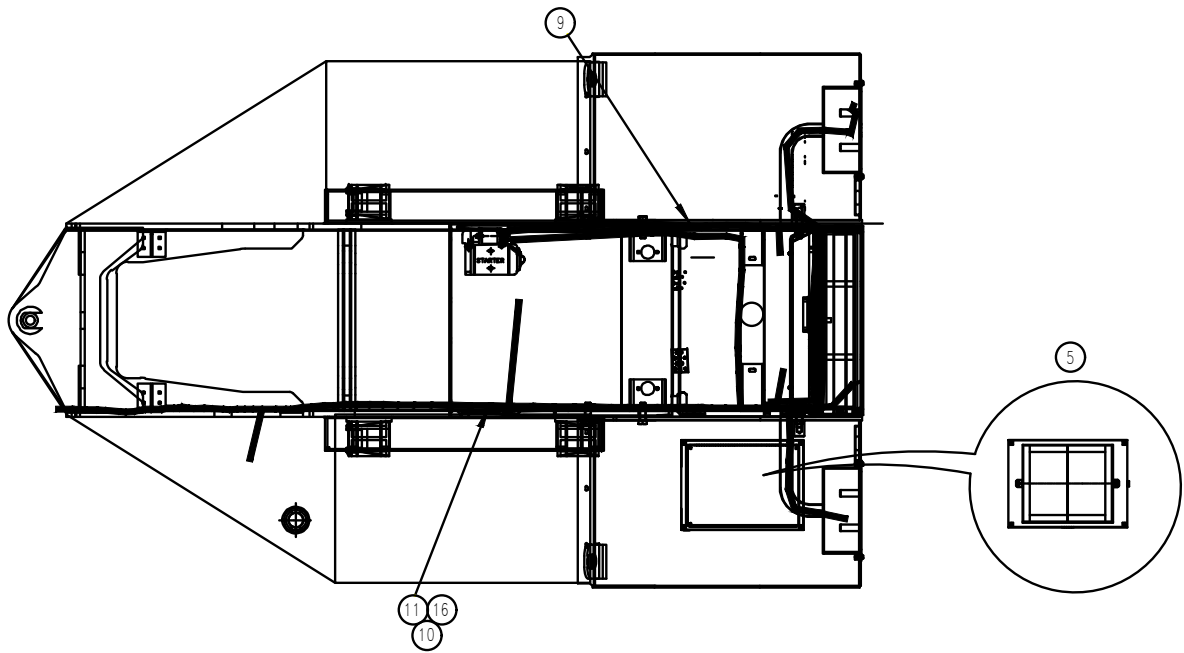
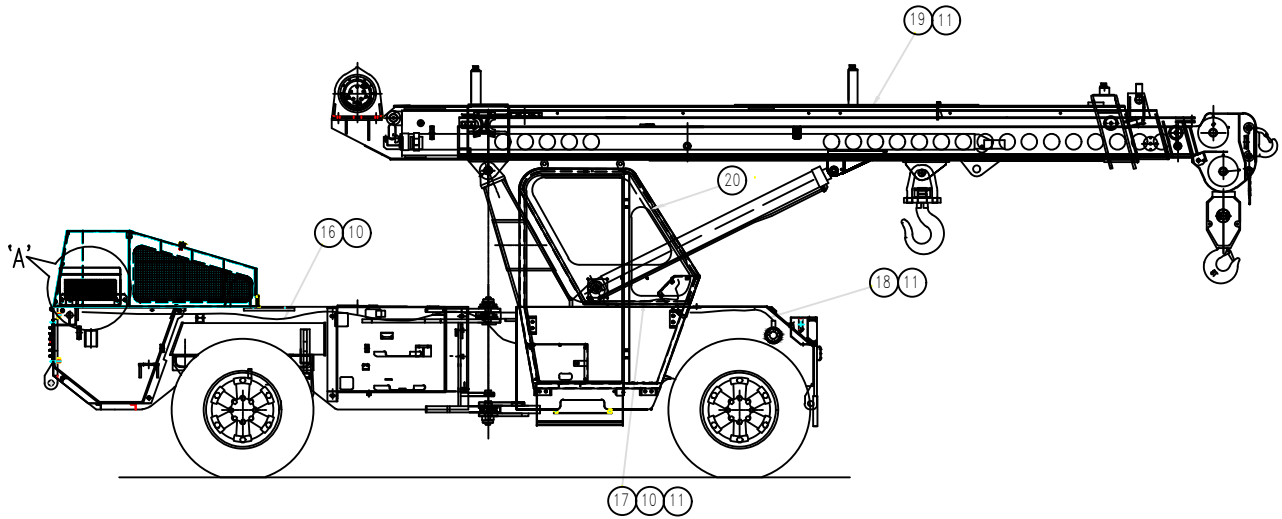
DASHBOARD ASSEMBLY- C7312050-C ECA 1-3303 WITH ECE02169CJ0114522 CUT-IN



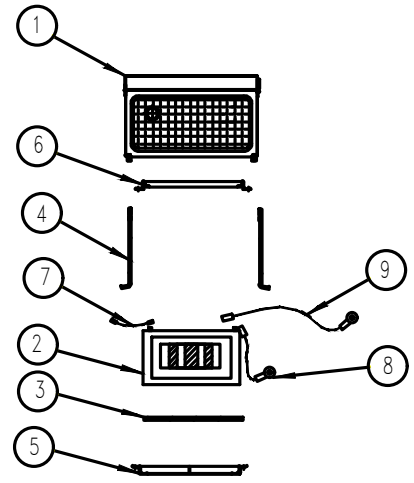
F-15-4WD

ELECTRICAL		DASHBOARD ASSEMBLY- C7312050-C		
S No	Part No	Description	Qty	Remarks
1	C7312794	DASHBOARD PLATE	1	
2	C7308165	SPEEDOMETER	1	
3	C7306958	SPEEDOMETER CABLE	1	
4	C7304044	RPM CUM HOUR METER	1	
5	C8V051715000	AIR PRESSURE GAUGE	1	
6	C7304010	ENGINE OIL PRESSURE GAUGE	1	
7	C8F179602600	FUEL GAUGE	1	
8	C836B5001000	STEERING COLUMN SWITCH	1	
9	C7304011	WATER TEMP. GAUGE	1	
10	C819B5023000	MAIN IGNITION KEY	2	
11	C8T111703700	MAIN IGNITION SWITCH	1	
12	C8V194309200	SPACER L-35	2	
13	C9100445	HEXAGONAL HEAD SCREW M6X15	9	
14	C9100342	HEX NUT M6	1	
15	C9100073	PLAIN WASHER M6	9	
16	C9100150	SPRING LOCK WASHRER	9	
17				
18	C836C5038000	GROMMET FOR STEERING COLUMN SW	1	
19	C8V124301900	TOGGLE SWITCH TS-1010 SPST	3	
20	C8PP10284000	TOGGLE SWICH TS-1022	1	
21	C7302349	TOGGLE SWITCH TS-10223	1	
22	C836C5039000	DUMMY PLUG (RUBBER GROMMET)	1	
23	C8F853603700	INDICATING LAMP (RED), 24V	3	
24	C8F853604000	INDICATING LAMP (GREEN), 24V	2	
25	C8F853603900	INDICATING LAMP (BLUE), 24V	1	
26	C7303081	STICKER	1	
27	C7306977	AGB TEMP. GAUGE	1	
28	C7311926	RELAY STARTER SAFETY 24V	1	
29	C9100455	ROUND HEAD SCREW M5X70.8	2	
30	C9100460	SPRING LOCK WASHER A5 IS:3063	2	
31	C9100341	HEXAGON NUT -IS 1364 (PART-3)/ISO 4032-M5-8	2	

**BATTERY & WIRING HARNESS ASSY-C7312051-C
ECA 1-3303 WITH ECE02169CJ0114522 CUT-IN**



BATTERY CONNECTIONS



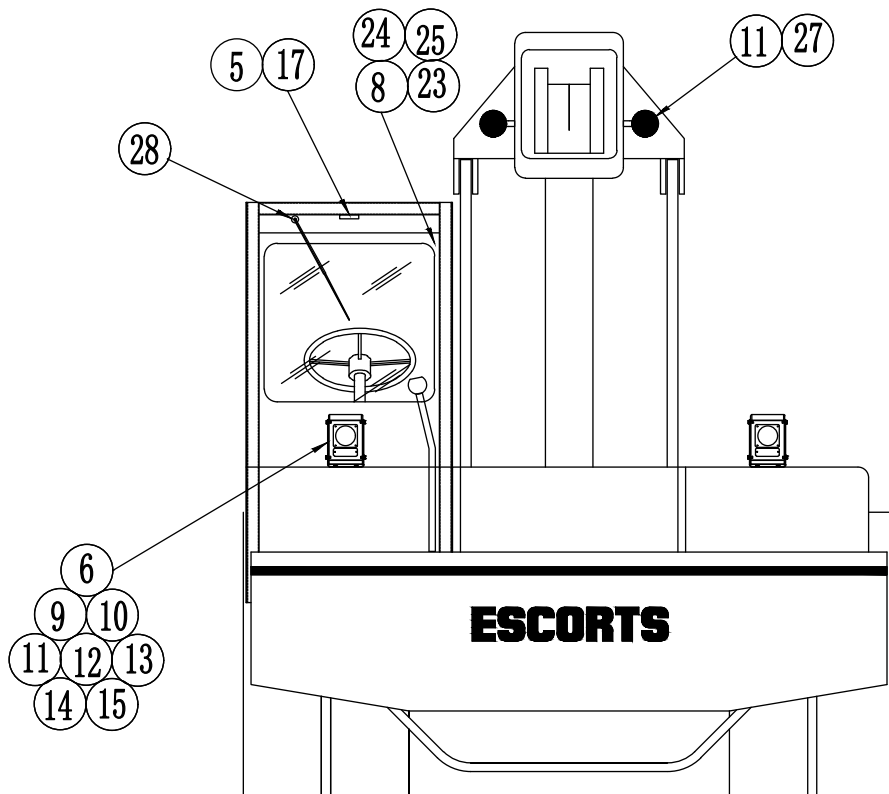
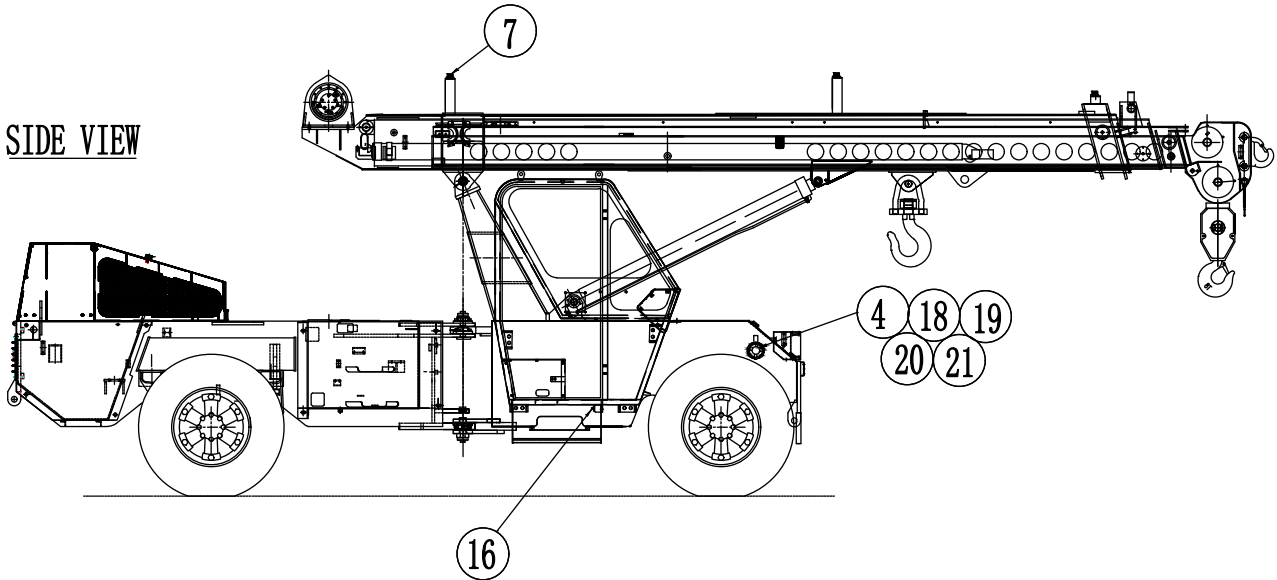
DETAIL-'A'

F-15-4WD

ELECTRICAL		BATTERY & WIRING HARNESS ASSEMBLY- C7312051-C		
S No	Part No	Description	Qty	Remarks
1	C841A1011C00	BATTERY BOX	1	
2	C8V194387500	BATTERY, 12V, 75AH	2	
3	C8V194310400	RUBBER PAD	2	
4	C8T104100200	HOLD DOWN SCREW	2	
5	C841F1016A00	BATTERY CLAMP BOTTOM	1	
6	C841F1017A00	BATTERY CLAMP TOP	1	
7	C822C2104A00	BATTERY LEAD +VE TO -VE TERMINAL	1	
8	C822C2103A00	BATTERY LEAD -VE TO EARTH	1	
9	C836A5002B00	BATTERY LEAD +VE TO STARTER	1	
10	C8F004716400	CABLE BINDING TIE 300 mm	30	
11	C8F004731100	CABLE BINDING TIE 200 mm	30	
12				
13	C9100167	HEX HEAD BOLT M8X30	4	
14	C9100062	HEX NUT M8	4	
15	C9100046	SPRING WASHER M8	4	
16	C7312048	WIRING HARNESS CHASSIS	1	
17	C7312800	WIRING HARNESS DASHBOARD	1	
18	C7304012	WIRING HARNESS FRONT LIGHT	1	
19	C7304013	WIRING HARNESS BOOM	1	
20	C836C1007000	LOCK FOR BATTERY BOX COVER	1	

ELECTRICAL ASSY-C7310344-D
ECA 1-3303 WITH ECE02169CJ0114522 CUT-IN

SIDE VIEW

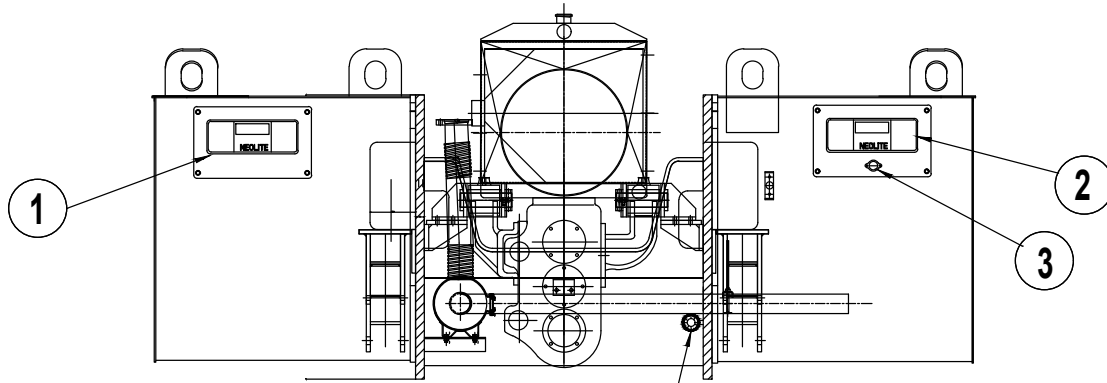


FRONT VIEW

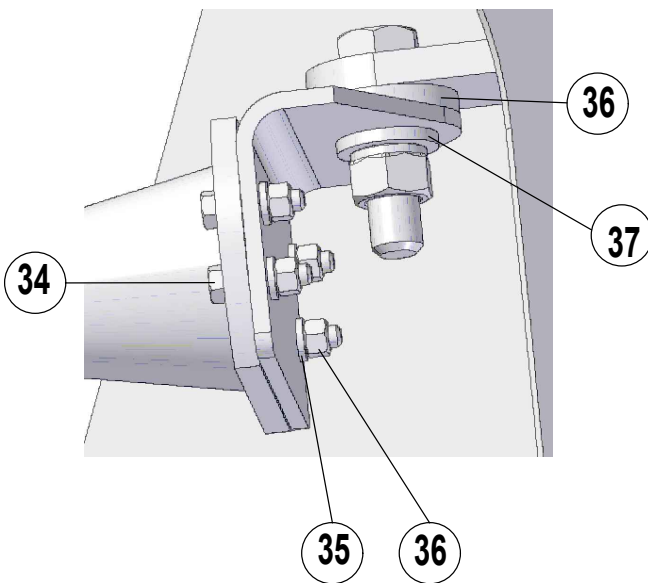
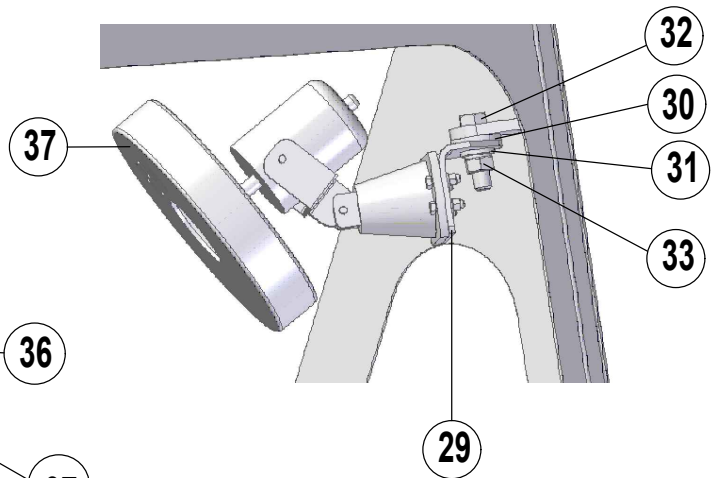
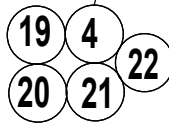
F-15-4WD/2WD

ELECTRICAL		ELECTRICALS ASSY-C7310344-D		
S No	Part No	Description	Qty	Remarks
1	C7310939	TAIL LIGHT 4 CHAMBER 24 VOLT LHS	1	
2	C7310940	TAIL LIGHT 4 CHAMBER 24 VOLT RHS	1	
3	C7302269	REGISTRATION PLATE LIGHT 24V	2	
4	C8G925973820	ELECTRIC HORN 24 VOLTS	2	
5	C7308286	CAB LIGHT, 24V	1	
6	C7302267	HEAD LAMP ASSY. (24V)	2	
7	C7302270	SIDE INDICATORS LAMP, 24V	3	
8	C822B2010000	FAN 24 VOLT	1	
9	C7300688	FRONT LIGHT BOX	2	
9.1	C7300689	U PLATE	1	
9.2	C7300687	L PLATE	1	
9.3	C7300690	WELD BLOCK	1	
9.4	C8PP11530000	WELD NUT M10	4	
10	C7301480	U-BEND PLATE	2	
11	C9100095	HEX HEAD BOLT M10X30-8.8	2	
12	C9100076	HEX NUT M10	2	
13	C9100040	PUNCHED WASHER A11	12	
14	C9100266	HEX HEAD BOLT M10X20	12	
15	C9100044	SPRING WASHER A10	12	
16	C8V194904500	BRAKE SWITCH	1	
17	C8PP10786000	BULB CAB LIGHT, 24V	1	
18	C9100171	HEXAGON HEAD SCREW -M8X35-8.8	1	
19	C9100068	HEXAGON NUT -IS 1364 (PART-3)ISO 4032-M8-8	3	
20	C9100062	PUNCHED WASHER A9 IS:2016-STEEL	2	
21	C9100046	SPRING LOCK WASHER A8 IS:3063 (PHOSPHATE	2	
22	C9100167	HEXAGON HEAD SCREW- M8X16-8.8	1	
23	C9100445	HEXAGON HEAD SCREW -M6X15-8.8	2	
24	C9100150	SPRING LOCK WASHER A6 IS:3063 (PHOSPHATE	2	
25	C9100342	HEXAGON NUT -M6-8	2	
26	C8P051151000	"PVC TAPE 3/4"IN ROLLS STEEL GRIP MAKE"(IL)	1	
27	C7310937	WORK LIGHT	2	
28	C8PP11731000	WIPER MOTOR	1	
29	C7605545	BRACKET FAN MOUNTING	1	
30	C7605546	PAD RUBBER FAN MOUNTING	1	
31	C9100059	WASHER	1	
32	C9100274	HEXAGON HEAD SCREW -M12X45-	1	
33	C9100060	PREVALING TORQUE TYPE NUT M12-IS:7002-8-P	1	
34	C9100078	HEXAGON HEAD BOLT -M5X20-8.8	4	
35	C9100077	PLAIN WASHER A5 IS2016	4	
36	C9100341	HEXAGON NUT -IS 1364 (PART-3)/ISO 4032-M5-8	4	
37	C7311308	REMI FAN 24V	1	

ELECTRICAL ASSY-C7310344-D
ECA 1-3303 WITH ECE02169CJ0114522 CUT-IN



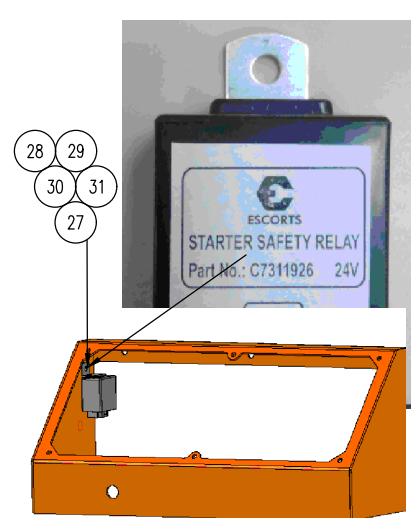
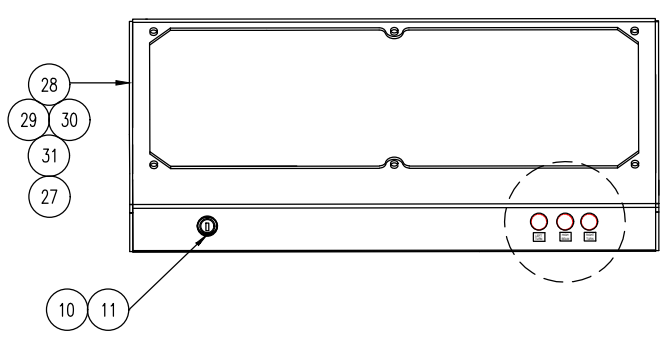
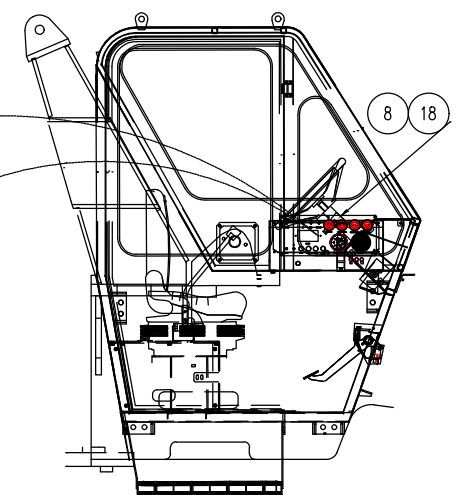
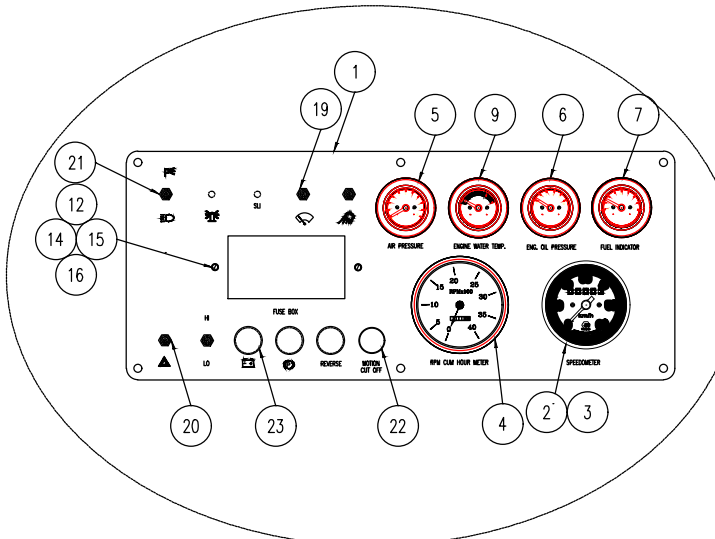
REAR VIEW



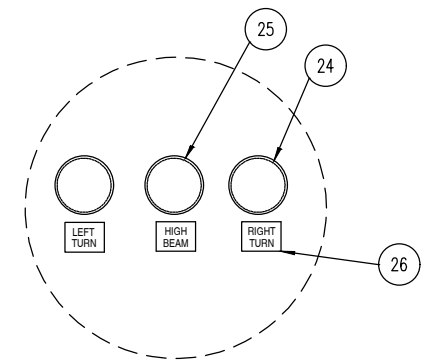
F-15-4WD/2WD

ELECTRICAL		ELECTRICALS ASSY-C7310344-D		
S No	Part No	Description	Qty	Remarks
1	C7310939	TAIL LIGHT 4 CHAMBER 24 VOLT LHS	1	
2	C7310940	TAIL LIGHT 4 CHAMBER 24 VOLT RHS	1	
3	C7302269	REGISTRATION PLATE LIGHT 24V	2	
4	C8G925973820	ELECTRIC HORN 24 VOLTS	2	
5	C7308286	CAB LIGHT, 24V	1	
6	C7302267	HEAD LAMP ASSY. (24V)	2	
7	C7302270	SIDE INDICATORS LAMP, 24V	3	
8	C822B2010000	FAN 24 VOLT	1	
9	C7300688	FRONT LIGHT BOX	2	
9.1	C7300689	U PLATE	1	
9.2	C7300687	L PLATE	1	
9.3	C7300690	WELD BLOCK	1	
9.4	C8PP11530000	WELD NUT M10	4	
10	C7301480	U-BEND PLATE	2	
11	C9100095	HEX HEAD BOLT M10X30-8.8	2	
12	C9100076	HEX NUT M10	2	
13	C9100040	PUNCHED WASHER A11	12	
14	C9100266	HEX HEAD BOLT M10X20	12	
15	C9100044	SPRING WASHER A10	12	
16	C8V194904500	BRAKE SWITCH	1	
17	C8PP10786000	BULB CAB LIGHT, 24V	1	
18	C9100171	HEXAGON HEAD SCREW -M8X35-8.8	1	
19	C9100068	HEXAGON NUT -IS 1364 (PART-3)ISO 4032-M8-8	3	
20	C9100062	PUNCHED WASHER A9 IS:2016-STEEL	2	
21	C9100046	SPRING LOCK WASHER A8 IS:3063 (PHOSPHATE	2	
22	C9100167	HEXAGON HEAD SCREW- M8X16-8.8	1	
23	C9100445	HEXAGON HEAD SCREW -M6X15-8.8	2	
24	C9100150	SPRING LOCK WASHER A6 IS:3063 (PHOSPHATE	2	
25	C9100342	HEXAGON NUT -M6-8	2	
26	C8P051151000	"PVC TAPE 3/4"IN ROLLS STEEL GRIP MAKE"(IL)	1	
27	C7310937	WORK LIGHT	2	
28	C8PP11731000	WIPER MOTOR	1	
29	C7605545	BRACKET FAN MOUNTING	1	
30	C7605546	PAD RUBBER FAN MOUNTING	1	
31	C9100059	WASHER	1	
32	C9100274	HEXAGON HEAD SCREW -M12X45-	1	
33	C9100060	PREVALING TORQUE TYPE NUT M12-IS:7002-8-P	1	
34	C9100078	HEXAGON HEAD BOLT -M5X20-8.8	4	
35	C9100077	PLAIN WASHER A5 IS2016	4	
36	C9100341	HEXAGON NUT -IS 1364 (PART-3)/ISO 4032-M5-8	4	
37	C7311308	REMI FAN 24V	1	

DASHBOARD ASSEMBLY – C7310535-C ECA 1-3303 WITH ECE02169CJ0114522 CUT-IN



RELAY MOUNTING

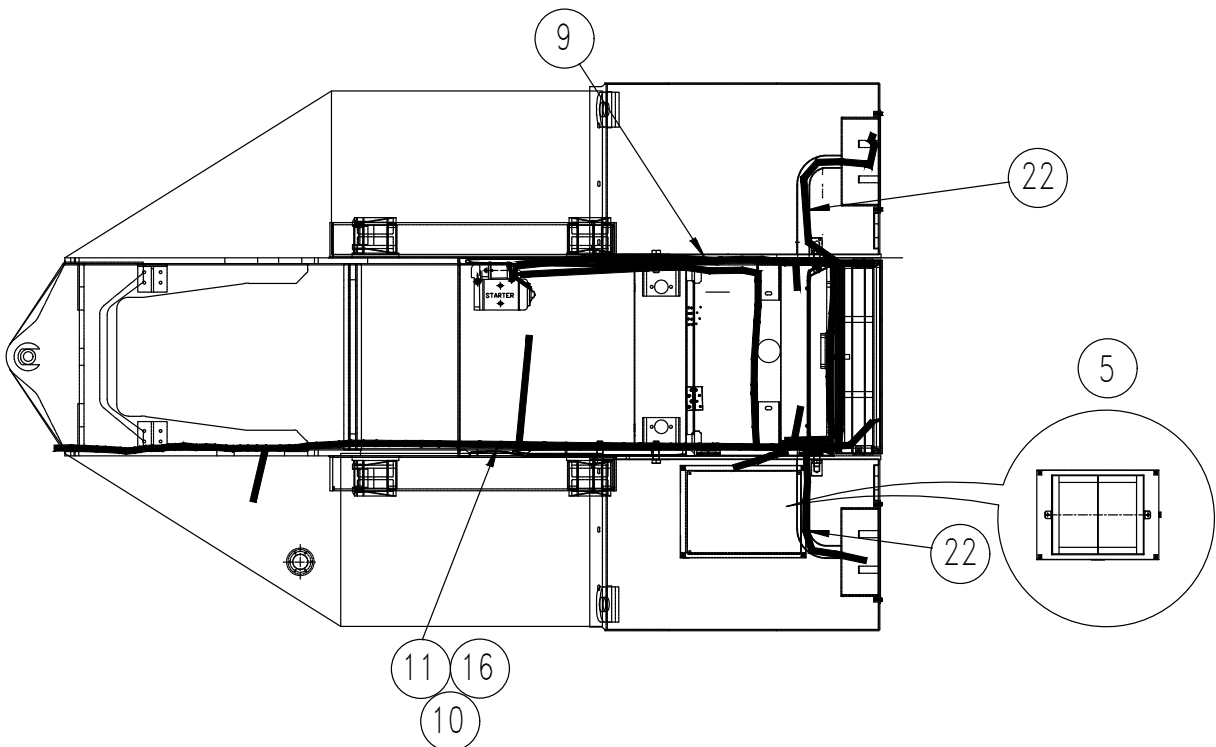
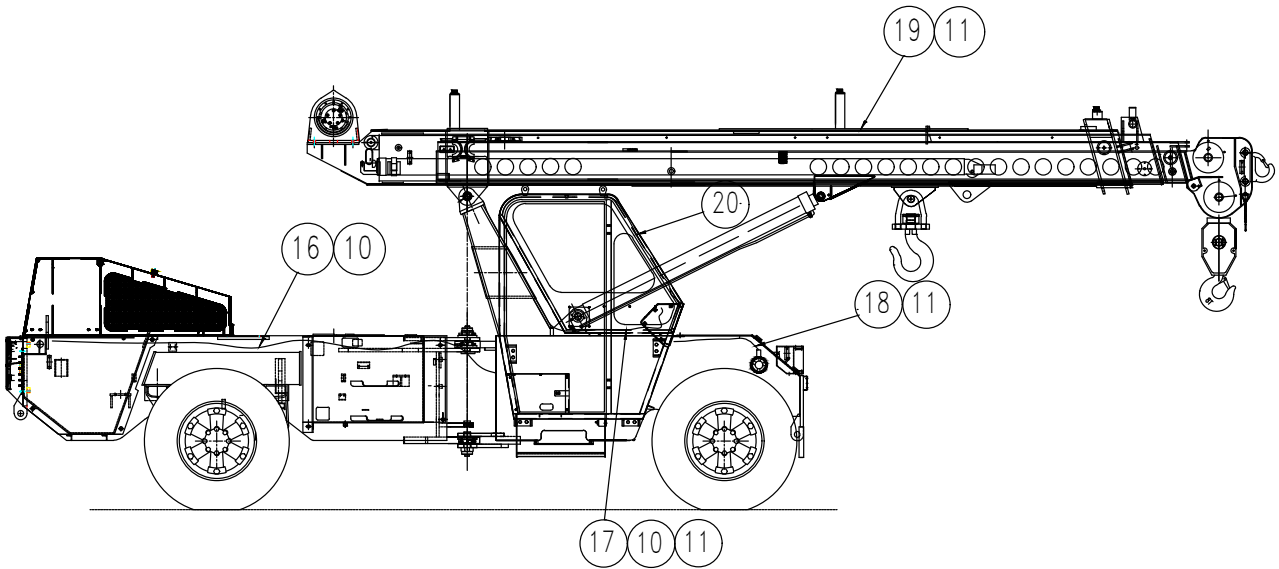


DETAILED VIEW OF STICKER PLACEMENT

F-15-2WD

ELECTRICAL		DASHBOARD ASSEMBLY – C7310535-C		
S No	Part No	Description	Qty	Remarks
1	C7312795	PLATE DASHBOARD	1	
2	C7301827	SPEEDOMETER	1	
3	C7306958	SPEEDOMETER CABLE	1	
4	C7304044	RPM CUM HOUR METER	1	
5	C8V051715000	AIR PRESSURE GAUGE	1	
6	C7304010	ENGINE OIL PRESSURE GAUGE	1	
7	C8F179602600	FUEL GAUGE	1	
8	C836B5001000	STEERING COLUMN SWITCH	1	
9	C7304011	WATER TEMP. GAUGE	1	
10	C819B5023000	MAIN IGNITION KEY	2	
11	C8T111703700	MAIN IGNITION SWITCH	1	
12	C8V194309200	SPEACER 12 OD 35L	2	
14	C9100455	CHEESE HEAD SCREW M5X70	2	
15	C9100460	SPRING WASHER M5	2	
16	C9100341	HEX NUT M5	2	
18	C836C5038000	00 45 23 51	1	
19	C8V124301900	TOGGLE SWITCH TS-1010 SPST	3	
20	C8PP10284000	TOGGLE SWICH TS-1022	1	
21	C7302349	TOGGLE SWITCH TS-10223	1	
22	C836C5039000	DUMMY PLUG (RUBBER GROMMET)	1	
23	C8F853603700	INDICATING LAMP (RED), 24V	3	
24	C8F853604000	INDICATING LAMP (GREEN), 24V	2	
25	C8F853603900	INDICATING LAMP (BLUE), 24V	1	
26	C7303081	STICKER	1	
27	C7311926	SELF SAFETY RELAY	1	
28	C9100445	HEXAGON HEAD SCREW -IS 1364 -M6X15-8.8	9	
29	C9100073	PLAIN WASHER A6 IS2016 STEEL	9	
30	C9100342	HEX NUT M6	1	
31	C9100150	SPRING WASHER M6	9	

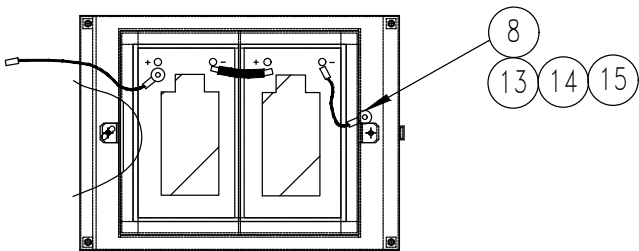
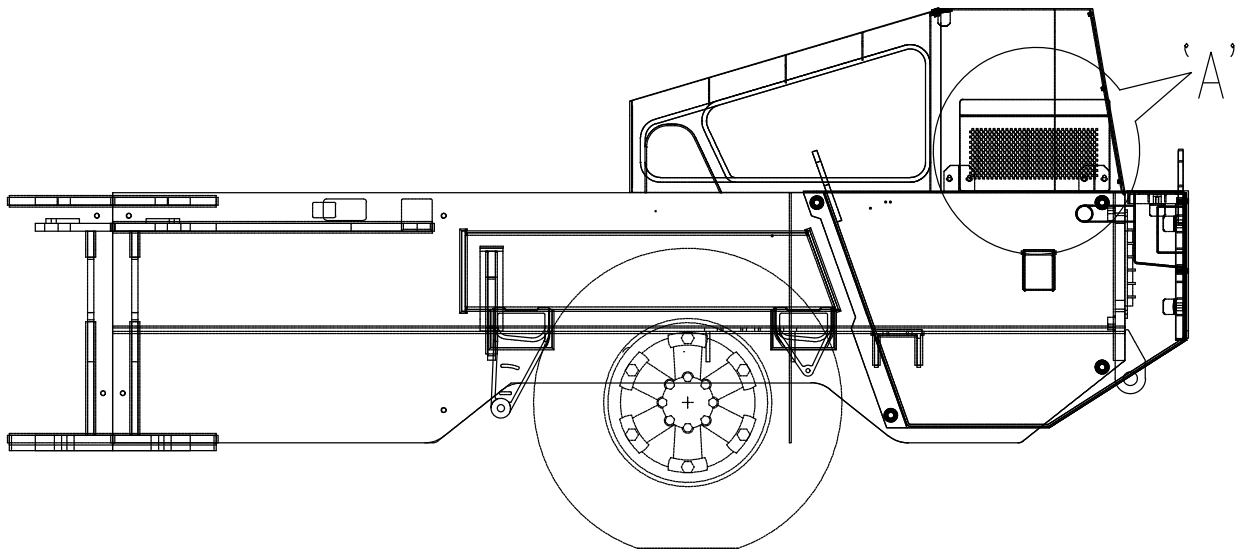
BATTERY & WIRING HARNESS ASSY.- C7310536-E
ECA 1-3303 WITH ECE02169CJ0114522 CUT-IN



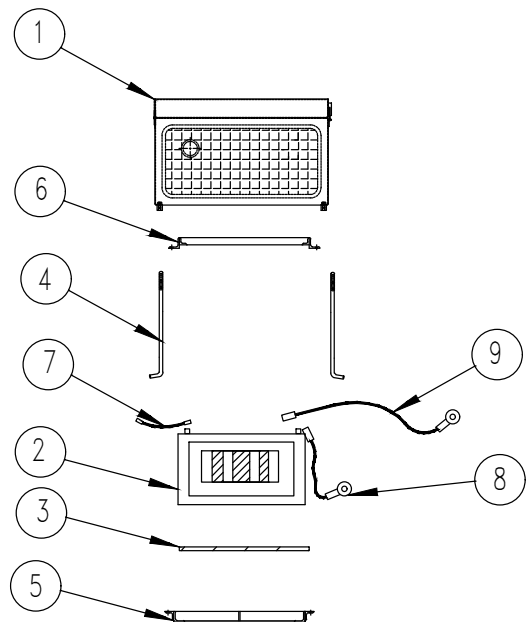
F-15-2WD

ELECTRICAL		BATTERY & WIRING HARNESS ASSY.- C7310536-E		
S No	Part No	Description	Qty	Remarks
1	C841A1011C00	BATTERY BOX	1	
2	C8V194387500	BATTERY, 12V, 75AH	2	
3	C8V194310400	RUBBER PAD	2	
4	C8T104100200	HOLD DOWN SCREW	2	
5	C841F1016A00	BATTERY CLAMP BOTTOM	1	
6	C841F1017A00	BATTERY CLAMP TOP	1	
7	C822C2104A00	BATTERY LEAD +VE TO -VE TERMINAL	1	
8	C822C2103A00	BATTERY LEAD -VE TO EARTH	1	
9	C836A5002B00	BATTERY LEAD +VE TO STARTER	1	
10	C8F004716400	CABLE BINDING TIE 300 mm	30	
11	C8F004731100	CABLE BINDING TIE 200 mm	30	
13	C9100167	HEX HEAD BOLT M8X30	4	
14	C9100062	HEX NUT M8	4	
15	C9100046	SPRING WASHER M8	4	
16	C7312048	WIRING HARNESS CHASSIS	1	
17	C7312801	WIRING HARNESS DASHBOARD	1	
18	C7304012	WIRING HARNESS FRONT LIGHT	1	
19	C7304013	WIRING HARNESS BOOM	1	
20	C836C1007000	LOCK FOR BATTERY BOX COVER	1	
22	C7311907	W/H EXTENSION	1	

BATTERY & WIRING HARNESS ASSY.- C7310536-E
ECA 1-3303 WITH ECE02169CJ0114522 CUT-IN



BATTERY CONNECTIONS

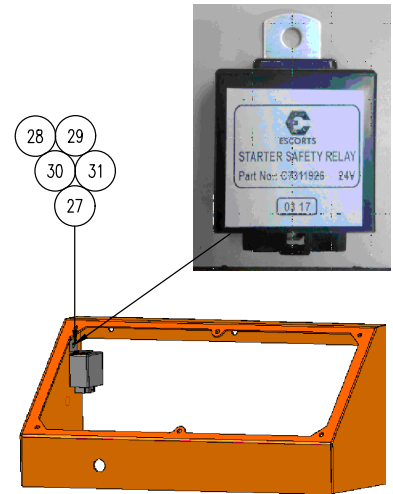
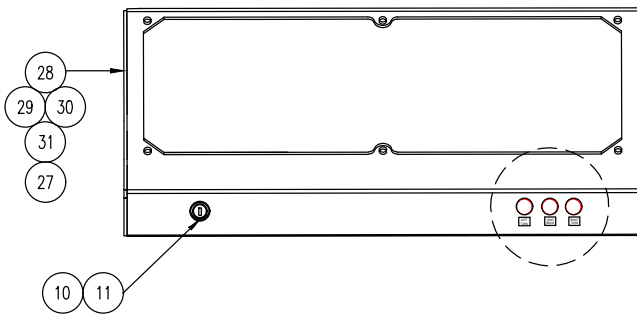
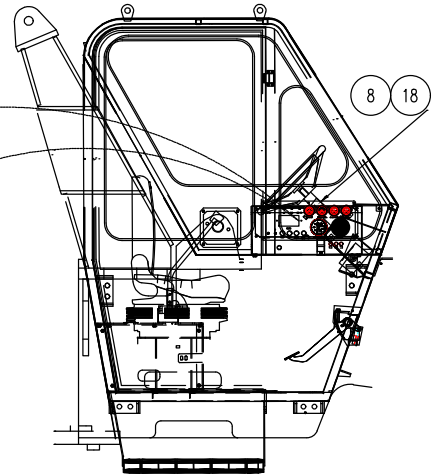
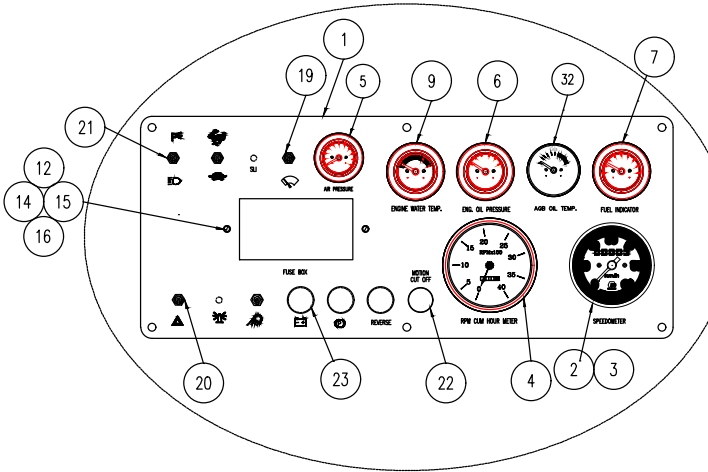


DETAIL-'A'

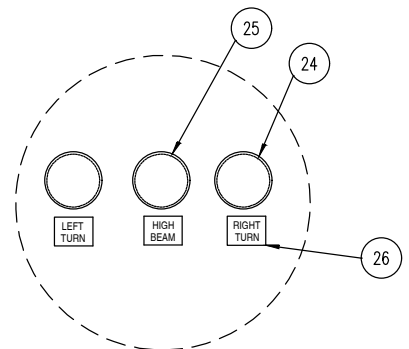
F-15-2WD

ELECTRICAL		BATTERY & WIRING HARNESS ASSY.- C7310536-E		
S No	Part No	Description	Qty	Remarks
1	C841A1011C00	BATTERY BOX	1	
2	C8V194387500	BATTERY, 12V, 75AH	2	
3	C8V194310400	RUBBER PAD	2	
4	C8T104100200	HOLD DOWN SCREW	2	
5	C841F1016A00	BATTERY CLAMP BOTTOM	1	
6	C841F1017A00	BATTERY CLAMP TOP	1	
7	C822C2104A00	BATTERY LEAD +VE TO -VE TERMINAL	1	
8	C822C2103A00	BATTERY LEAD -VE TO EARTH	1	
9	C836A5002B00	BATTERY LEAD +VE TO STARTER	1	
10	C8F004716400	CABLE BINDING TIE 300 mm	30	
11	C8F004731100	CABLE BINDING TIE 200 mm	30	
13	C9100167	HEX HEAD BOLT M8X30	4	
14	C9100062	HEX NUT M8	4	
15	C9100046	SPRING WASHER M8	4	
16	C7312048	WIRING HARNESS CHASSIS	1	
17	C7312801	WIRING HARNESS DASHBOARD	1	
18	C7304012	WIRING HARNESS FRONT LIGHT	1	
19	C7304013	WIRING HARNESS BOOM	1	
20	C836C1007000	LOCK FOR BATTERY BOX COVER	1	
22	C7311907	W/H EXTENSION	1	

DASHBOARD ASSEMBLY – 7310535-D ECA 1-3649



RELAY MOUNTING

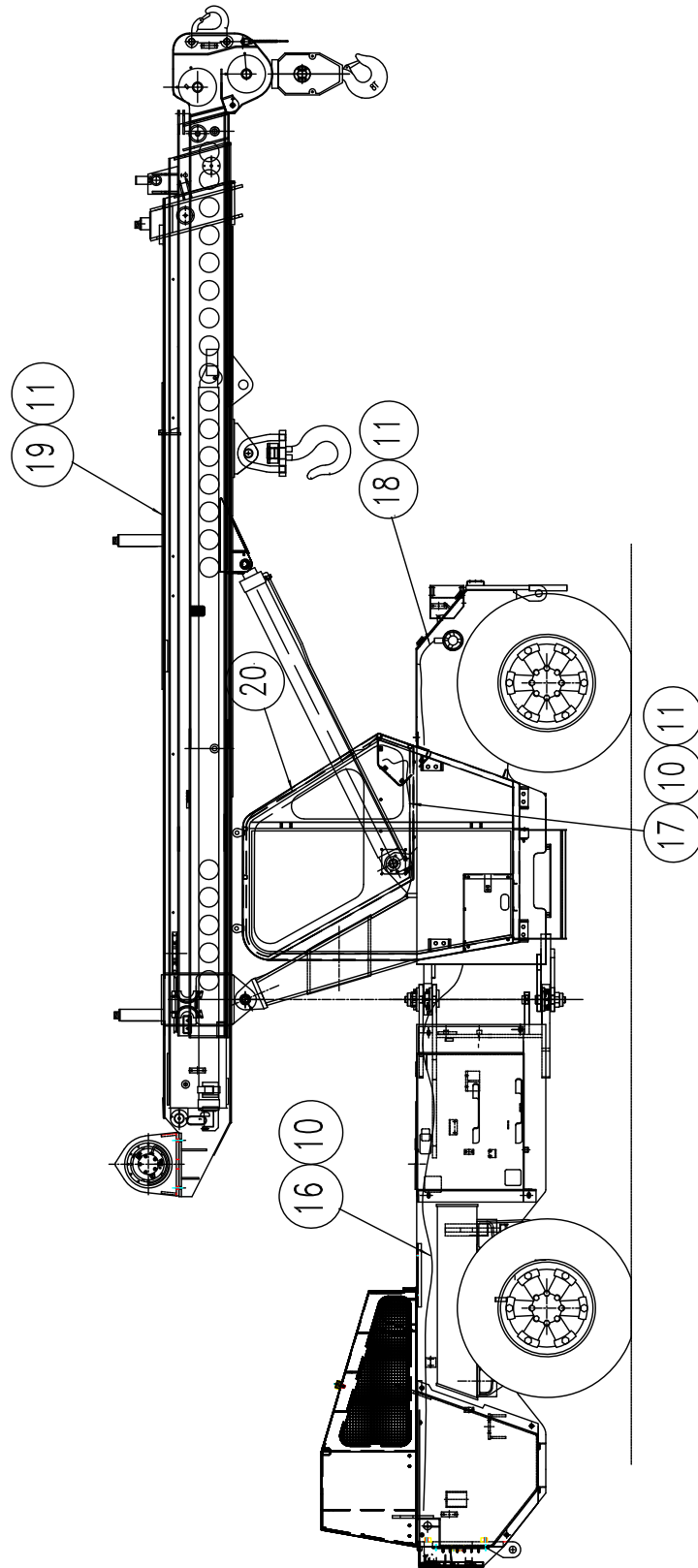


**DETAILED VIEW
OF STICKER PLACEMENT**

F-15-2WD

ELECTRICAL		DASHBOARD ASSEMBLY – 7310535-D		
S No	Part No	Description	Qty	Remarks
1	C7312953	PLATE DASHBOARD	1	
2	C7308165	SPEEDOMETER	1	
3	C7306958	SPEEDOMETER CABLE	1	
4	C7304044	RPM CUM HOUR METER	1	
5	C8V051715000	AIR PRESSURE GAUGE	1	
6	C7304010	ENGINE OIL PRESSURE GAUGE	1	
7	C8F179602600	FUEL GAUGE	1	
8	C836B5001000	STEERING COLUMN SWITCH	1	
9	C7304011	WATER TEMP. GAUGE	1	
10	C819B5023000	MAIN IGNITION KEY	2	
11	C8T111703700	MAIN IGNITION SWITCH	1	
12	C8V194309200	SPEACER 12 OD 35L	2	
14	C9100455	CHEESE HEAD SCREW M5X70	2	
15	C9100460	SPRING WASHER M5	2	
16	C9100341	HEX NUT M5	2	
18	C836C5038000	00 45 23 51	1	
19	C8V124301900	TOGGLE SWITCH TS-1010 SPST	3	
20	C8PP10284000	TOGGLE SWICH TS-1022	1	
21	C7302349	TOGGLE SWITCH TS-10223	1	
22	C836C5039000	DUMMY PLUG (RUBBER GROMMET)	1	
23	C8F853603700	INDICATING LAMP (RED), 24V	3	
24	C8F853604000	INDICATING LAMP (GREEN), 24V	2	
25	C8F853603900	INDICATING LAMP (BLUE), 24V	1	
26	C7303081	STICKER	1	
27	C7311926	SELF SAFETY RELAY	1	
28	C9100445	HEXAGON HEAD SCREW -IS 1364 -M6X15-8.8	9	
29	C9100073	PLAIN WASHER A6 IS2016 STEEL	9	
30	C9100342	HEX NUT M6	1	
31	C9100150	SPRING WASHER M6	9	
32	C7306977	AGB TEMP. GAUGE	1	

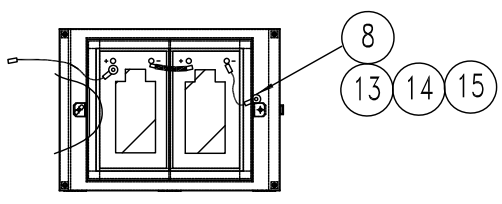
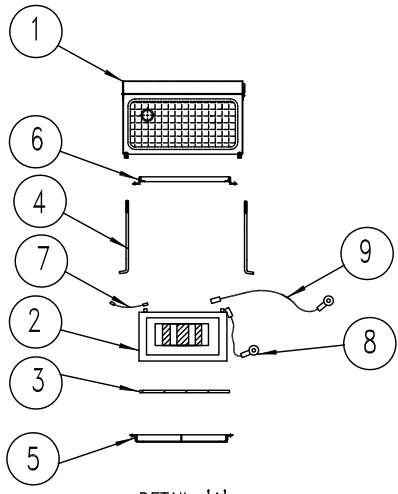
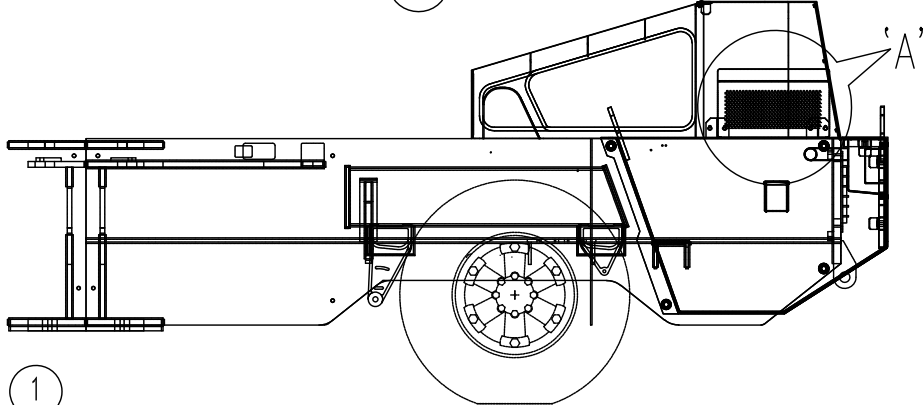
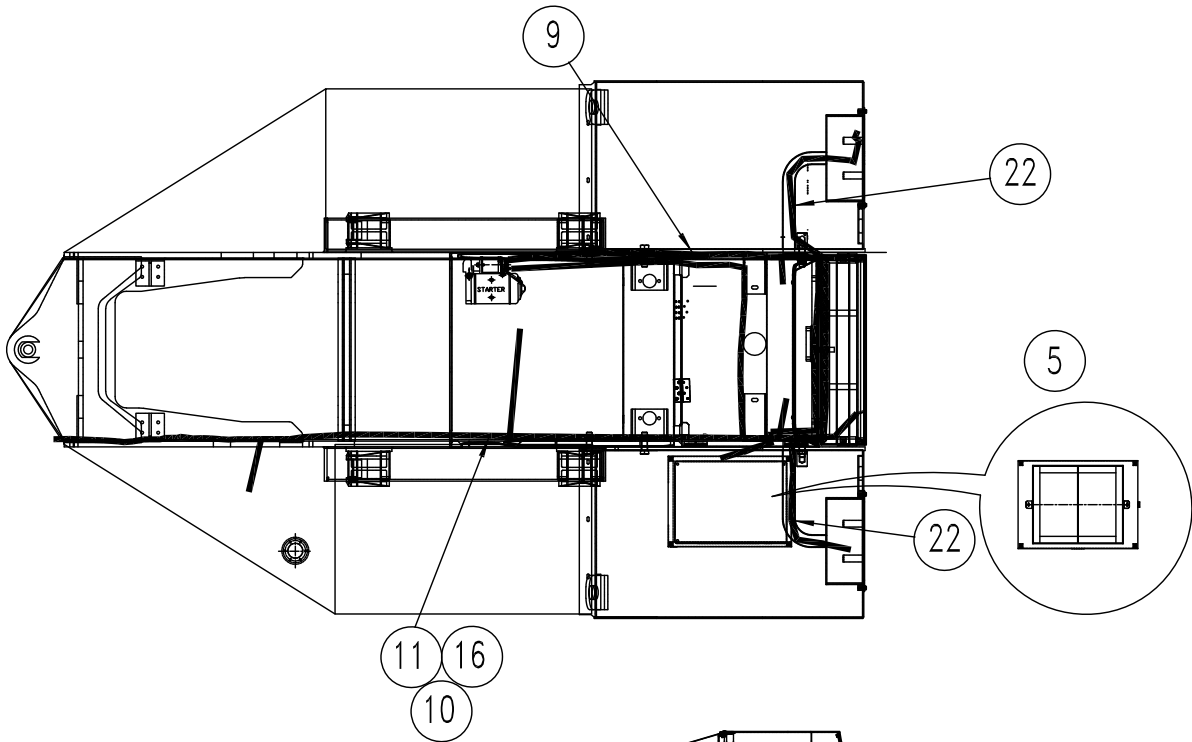
BATTERY & WIRING HARNESS ASSY.- C7310536-F ECA 1-3649



F-15-2WD

ELECTRICAL		BATTERY & WIRING HARNESS ASSY.- C7310536-F		
S No	Part No	Description	Qty	Remarks
1	C841A1011C00	BATTERY BOX	1	
2	C8V194387500	BATTERY, 12V, 75AH	2	
3	C8V194310400	RUBBER PAD	2	
4	C8T104100200	HOLD DOWN SCREW	2	
5	C841F1016A00	BATTERY CLAMP BOTTOM	1	
6	C841F1017A00	BATTERY CLAMP TOP	1	
7	C822C2104A00	BATTERY LEAD +VE TO -VE TERMINAL	1	
8	C822C2103A00	BATTERY LEAD -VE TO EARTH	1	
9	C836A5002B00	BATTERY LEAD +VE TO STARTER	1	
10	C8F004716400	CABLE BINDING TIE 300 mm	30	
11	C8F004731100	CABLE BINDING TIE 200 mm	30	
13	C9100167	HEX HEAD BOLT M8X30	4	
14	C9100062	HEX NUT M8	4	
15	C9100046	SPRING WASHER M8	4	
16	C7312048	WIRING HARNESS CHASSIS	1	
17	C7312800	WIRING HARNESS DASHBOARD	1	
18	C7304012	WIRING HARNESS FRONT LIGHT	1	
19	C7304013	WIRING HARNESS BOOM	1	
20	C836C1007000	LOCK FOR BATTERY BOX COVER	1	
22	C7311907	W/H EXTENSION	1	

**BATTERY & WIRING HARNESS ASSY.- C7310536-F
ECA 1-3649**

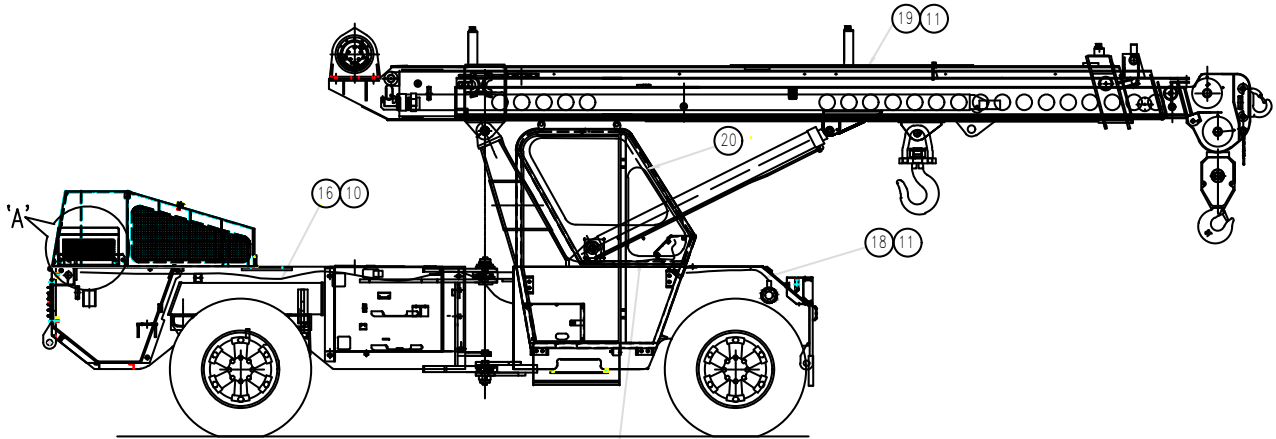


BATTERY CONNECTIONS

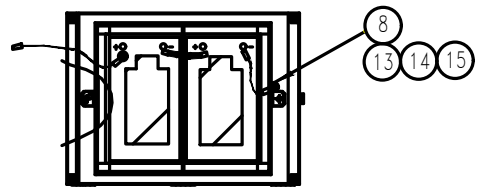
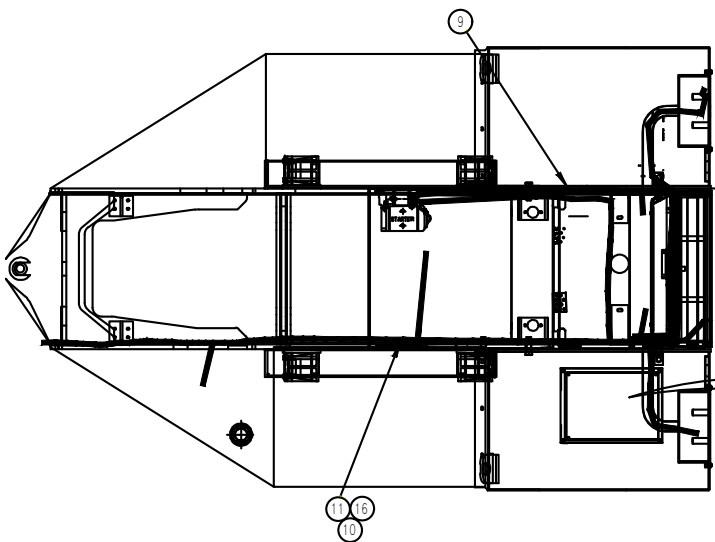
F-15-2WD

ELECTRICAL		BATTERY & WIRING HARNESS ASSY.- C7310536-F		
S No	Part No	Description	Qty	Remarks
1	C841A1011C00	BATTERY BOX	1	
2	C8V194387500	BATTERY, 12V, 75AH	2	
3	C8V194310400	RUBBER PAD	2	
4	C8T104100200	HOLD DOWN SCREW	2	
5	C841F1016A00	BATTERY CLAMP BOTTOM	1	
6	C841F1017A00	BATTERY CLAMP TOP	1	
7	C822C2104A00	BATTERY LEAD +VE TO -VE TERMINAL	1	
8	C822C2103A00	BATTERY LEAD -VE TO EARTH	1	
9	C836A5002B00	BATTERY LEAD +VE TO STARTER	1	
10	C8F004716400	CABLE BINDING TIE 300 mm	30	
11	C8F004731100	CABLE BINDING TIE 200 mm	30	
13	C9100167	HEX HEAD BOLT M8X30	4	
14	C9100062	HEX NUT M8	4	
15	C9100046	SPRING WASHER M8	4	
16	C7312048	WIRING HARNESS CHASSIS	1	
17	C7312800	WIRING HARNESS DASHBOARD	1	
18	C7304012	WIRING HARNESS FRONT LIGHT	1	
19	C7304013	WIRING HARNESS BOOM	1	
20	C836C1007000	LOCK FOR BATTERY BOX COVER	1	
22	C7311907	W/H EXTENSION	1	

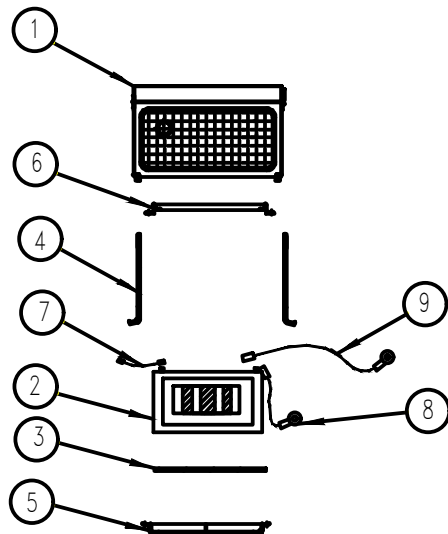
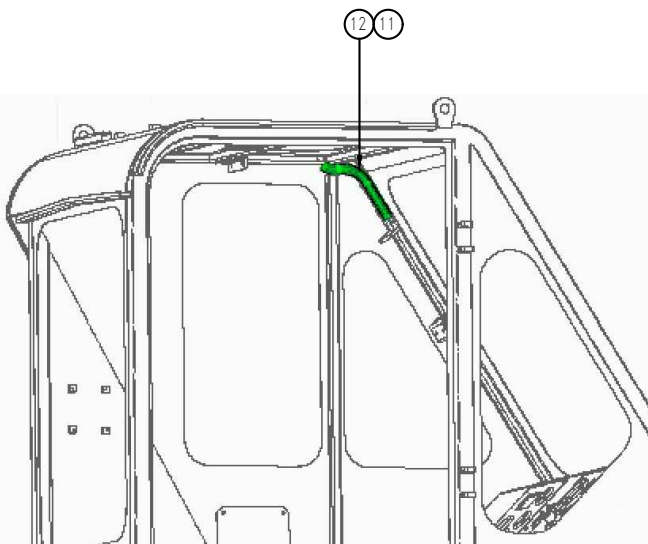
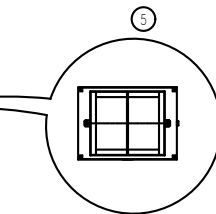
**BATTERY & WIRING HARNESS ASSY-C7312051-D
ECA 1-3845 WITH ECE02169CJ0114522 CUT-IN**



SIDE VIEW



BATTERY CONNECTIONS

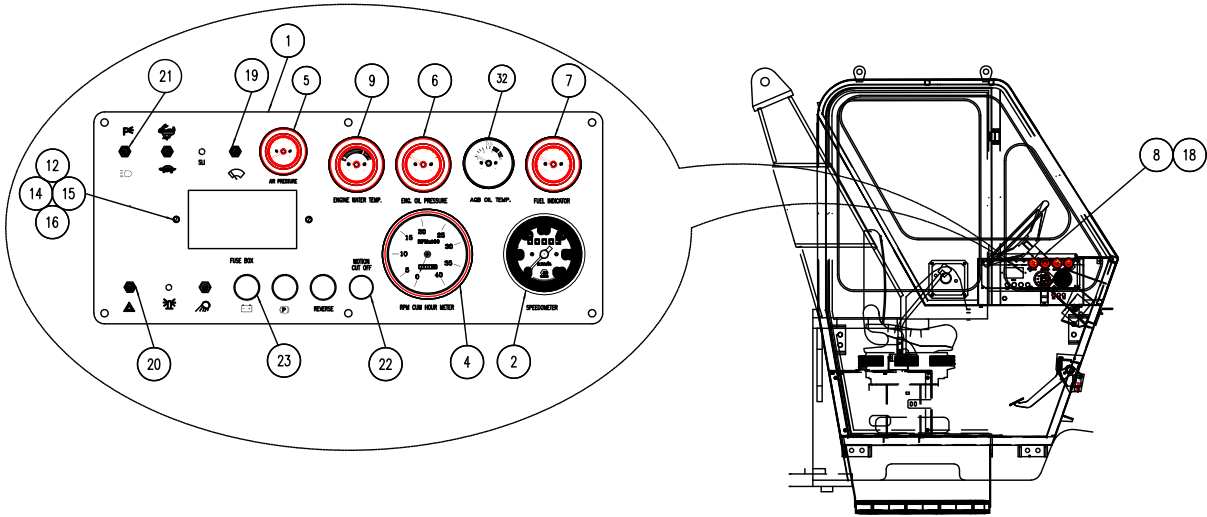


DETAIL-'A'

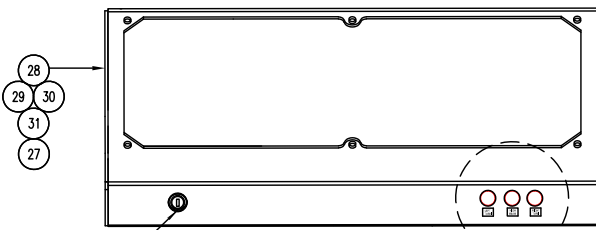
F-15-4WD

ELECTRICAL		BATTERY & WIRING HARNESS ASSEMBLY- C7312051-D		
S No	Part No	Description	Qty	Remarks
1	C841A1011C00	BATTERY BOX	1	
2	C8V194387500	BATTERY, 12V, 75AH	2	
3	C8V194310400	RUBBER PAD	2	
4	C8T104100200	HOLD DOWN SCREW	2	
5	C841F1016A00	BATTERY CLAMP BOTTOM	1	
6	C841F1017A00	BATTERY CLAMP TOP	1	
7	C822C2104A00	BATTERY LEAD +VE TO -VE TERMINAL	1	
8	C822C2103A00	BATTERY LEAD -VE TO EARTH	1	
9	C7313708	CABLE BATTERY +VE TO STARTER	1	
10	C8F004716400	CABLE BINDING TIE 300 mm	30	
11	C8F004731100	CABLE BINDING TIE 200 mm	33	
12	C7313685	PIPE CORRUGATED DIA 25MM	0.33Meter	
13	C9100167	HEX HEAD BOLT M8X30	4	
14	C9100062	HEX NUT M8	4	
15	C9100046	SPRING WASHER M8	4	
16	C7313673	WIRING HARNESS CHASSIS	1	
17	C7313651	WIRING HARNESS DASHBOARD	1	
18	C7304012	WIRING HARNESS FRONT LIGHT	1	
19	C7304013	WIRING HARNESS BOOM	1	
20	C836C1007000	LOCK FOR BATTERY BOX COVER	1	

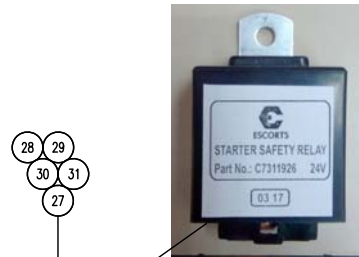
DASHBOARD ASSEMBLY- C7312050-D ECA 1-3845 WITH ECE02169CJ0201918 CUT-IN



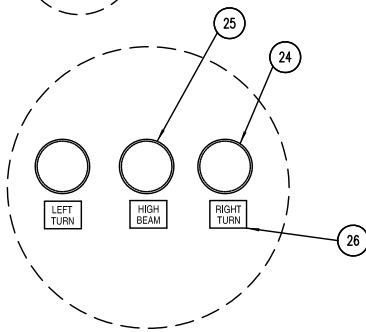
28 29 31



10 11



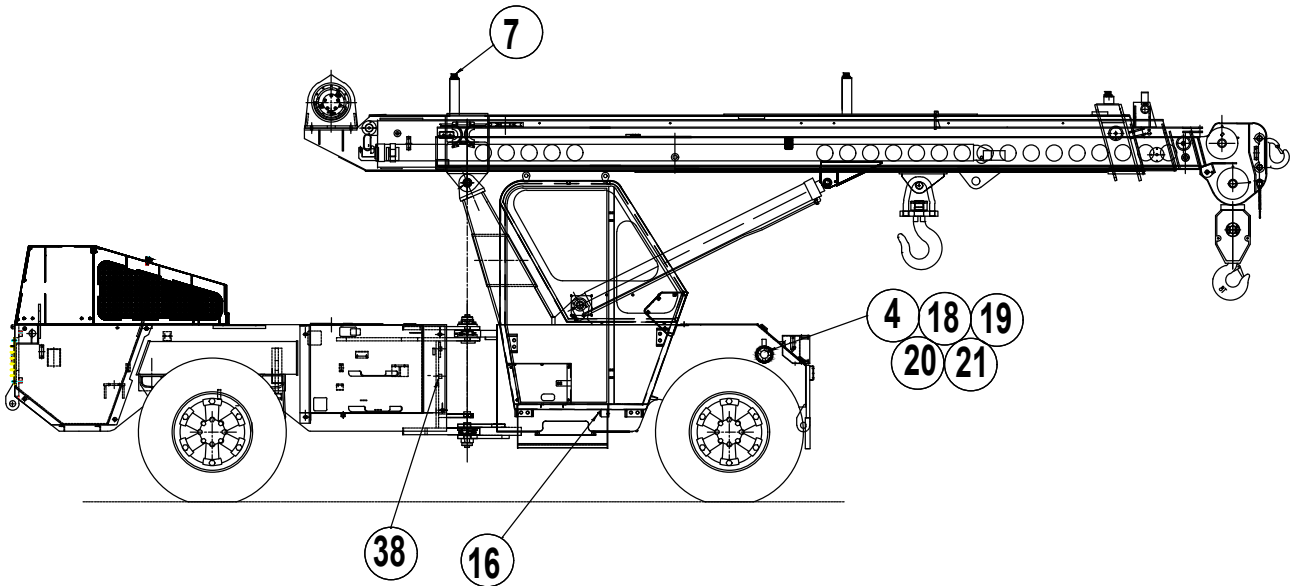
28 29 30 31 27



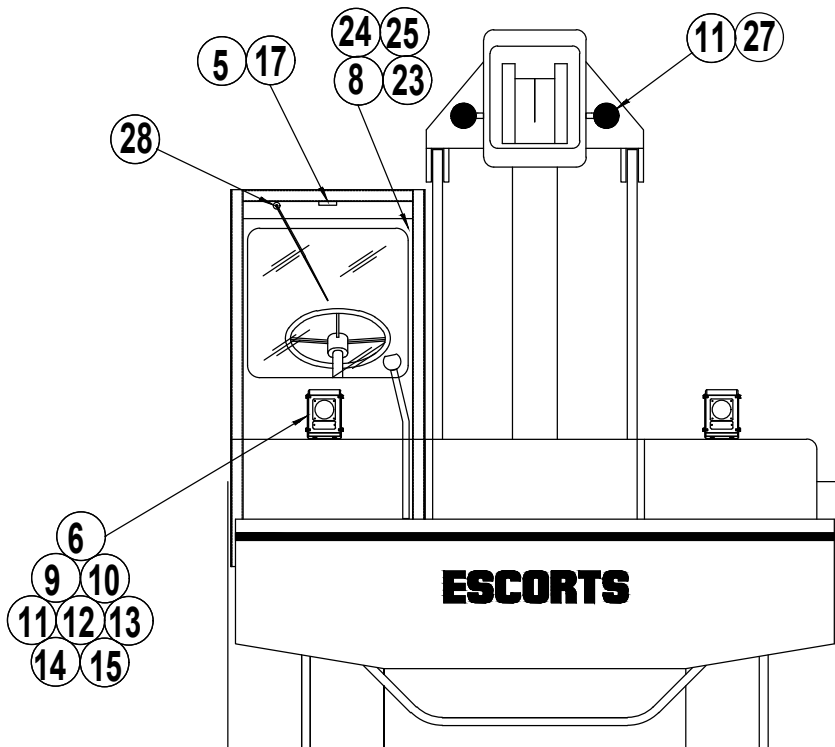
F-15-4WD

ELECTRICAL		DASHBOARD ASSEMBLY- C7312050-D		
S No	Part No	Description	Qty	Remarks
1	C7312794	DASHBOARD PLATE	1	
2	C7309974	SPEEDOMETER	1	
4	C7304044	RPM CUM HOUR METER	1	
5	C8V051715000	AIR PRESSURE GAUGE	1	
6	C7304010	ENGINE OIL PRESSURE GAUGE	1	
7	C8F179602600	FUEL GAUGE	1	
8	C836B5001000	STEERING COLUMN SWITCH	1	
9	C7304011	WATER TEMP. GAUGE	1	
10	C819B5023000	MAIN IGNITION KEY	2	
11	C8T111703700	MAIN IGNITION SWITCH	1	
12	C8V194309200	SPACER L-35	2	
13	C9100445	HEXAGONAL HEAD SCREW M6X15	9	
14	C9100342	HEX NUT M6	1	
15	C9100073	PLAIN WASHER M6	9	
16	C9100150	SPRING LOCK WASHRER	9	
18	C836C5038000	GROMMET FOR STEERING COLUMN SW	1	
19	C8V124301900	TOGGLE SWITCH TS-1010 SPST	3	
20	C8PP10284000	TOGGLE SWICH TS-1022	1	
21	C7302349	TOGGLE SWITCH TS-10223	1	
22	C836C5039000	DUMMY PLUG (RUBBER GROMMET)	1	
23	C8F853603700	INDICATING LAMP (RED), 24V	3	
24	C8F853604000	INDICATING LAMP (GREEN), 24V	2	
25	C8F853603900	INDICATING LAMP (BLUE), 24V	1	
26	C7303081	STICKER	1	
27	C7306977	AGB TEMP. GAUGE	1	
28	C7311926	RELAY STARTER SAFETY 24V	1	
29	C9100455	ROUND HEAD SCREW M5X70.8	2	
30	C9100460	SPRING LOCK WASHER A5 IS:3063	2	
31	C9100341	HEXAGON NUT -IS 1364 (PART-3)/ISO 4032-M5-8	2	

ELECTRICAL ASSY-7310344-E
ECA 1-3303 WITH ECE02169CJ0114522 CUT-IN
ECA-1-3845



SIDE VIEW

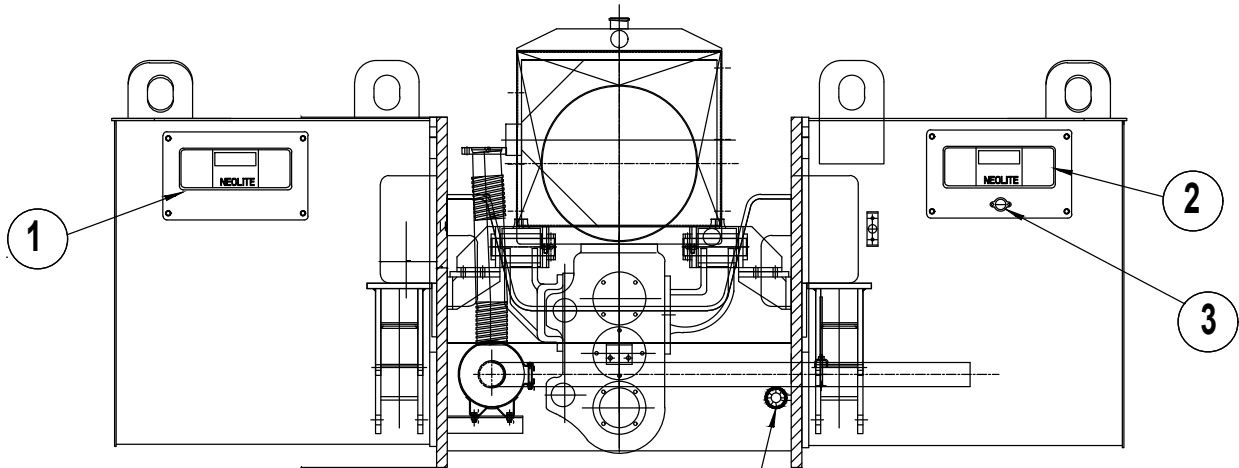


FRONT VIEW

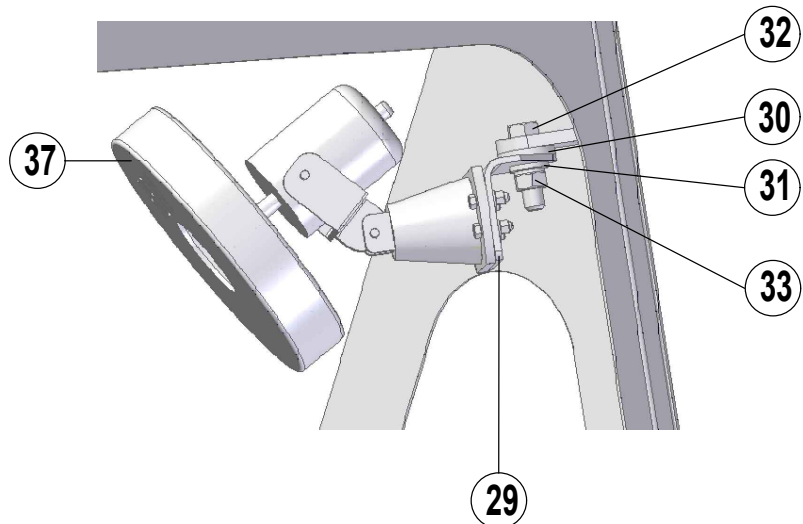
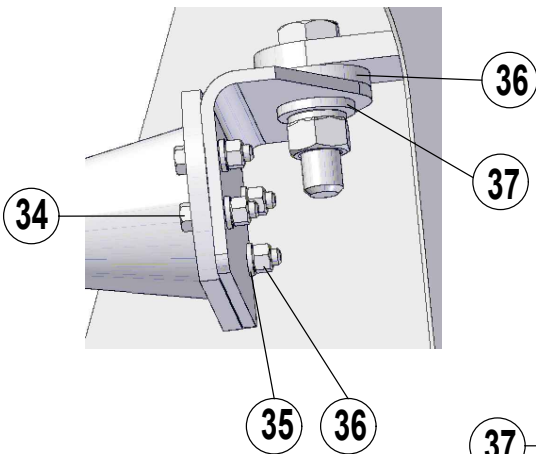
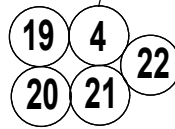
F-15-4WD/2WD

ELECTRICAL		ELECTRICALS ASSY-7310344-E		
S No	Part No	Description	Qty	Remarks
1	C7310939	TAIL LIGHT 4 CHAMBER 24 VOLT LHS	1	
2	C7310940	TAIL LIGHT 4 CHAMBER 24 VOLT RHS	1	
3	C7302269	REGISTRATION PLATE LIGHT 24V	2	
4	C8G925973820	ELECTRIC HORN 24 VOLTS	2	
5	C7308286	CAB LIGHT, 24V	1	
6	C7302267	HEAD LAMP ASSY. (24V)	2	
7	C7302270	SIDE INDICATORS LAMP, 24V	3	
8	C822B2010000	FAN 24 VOLT	1	
9	C7300688	FRONT LIGHT BOX	2	
9.1	C7300689	U PLATE	1	
9.2	C7300687	L PLATE	1	
9.3	C7300690	WELD BLOCK	1	
9.4	C8PP11530000	WELD NUT M10	4	
10	C7301480	U-BEND PLATE	2	
11	C9100095	HEX HEAD BOLT M10X30-8.8	2	
12	C9100076	HEX NUT M10	2	
13	C9100040	PUNCHED WASHER A11	12	
14	C9100266	HEX HEAD BOLT M10X20	12	
15	C9100044	SPRING WASHER A10	12	
16	C8V194904500	BRAKE SWITCH	1	
17	C8PP10786000	BULB CAB LIGHT, 24V	1	
18	C9100171	HEXAGON HEAD SCREW -M8X35-8.8	1	
19	C9100068	HEXAGON NUT -IS 1364 (PART-3)ISO 4032-M8-8	3	
20	C9100062	PUNCHED WASHER A9 IS:2016-STEEL	2	
21	C9100046	SPRING LOCK WASHER A8 IS:3063 (PHOSPHATE	2	
22	C9100167	HEXAGON HEAD SCREW- M8X16-8.8	1	
23	C9100445	HEXAGON HEAD SCREW -M6X15-8.8	2	
24	C9100150	SPRING LOCK WASHER A6 IS:3063 (PHOSPHATE	2	
25	C9100342	HEXAGON NUT -IS 1364 (PART-3)/ISO 4032-M6-8	2	
26	C8P051151000	"PVC TAPE 3/4"IN ROLLS STEEL GRIP MAKE"(IL)	1	
27	C7310937	WORK LIGHT	2	
28	C8PP11731000	WIPER MOTOR	1	
29	C7605545	BRACKET FAN MOUNTING	1	
30	C7605546	PAD RUBBER FAN MOUNTING	1	
31	C9100059	WASHER	1	
32	C9100274	HEXAGON HEAD SCREW -M12X45-	1	
33	C9100060	PREVALING TORQUE TYPE NUT M12-IS:7002-8-P	1	
34	C9100078	HEXAGON HEAD BOLT -M5X20-8.8	4	
35	C9100077	PLAIN WASHER A5 IS2016	4	
36	C9100341	HEXAGON NUT -IS 1364 (PART-3)/ISO 4032-M5-8	4	
37	C7311308	REMI FAN 24V	1	
38	C7309502	SPEED SENSOR	1	

ELECTRICAL ASSY-7310344-E
ECA 1-3303 WITH ECE02169CJ0114522 CUT-IN
ECA 1-3845



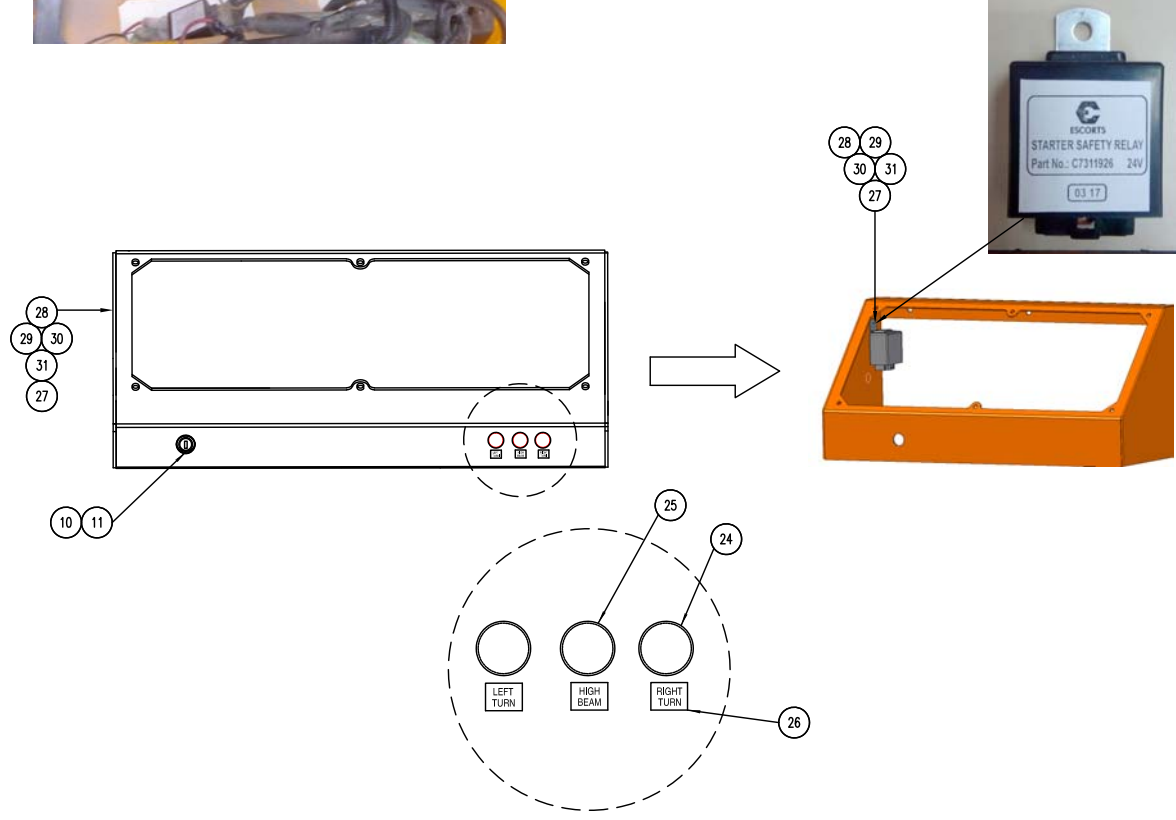
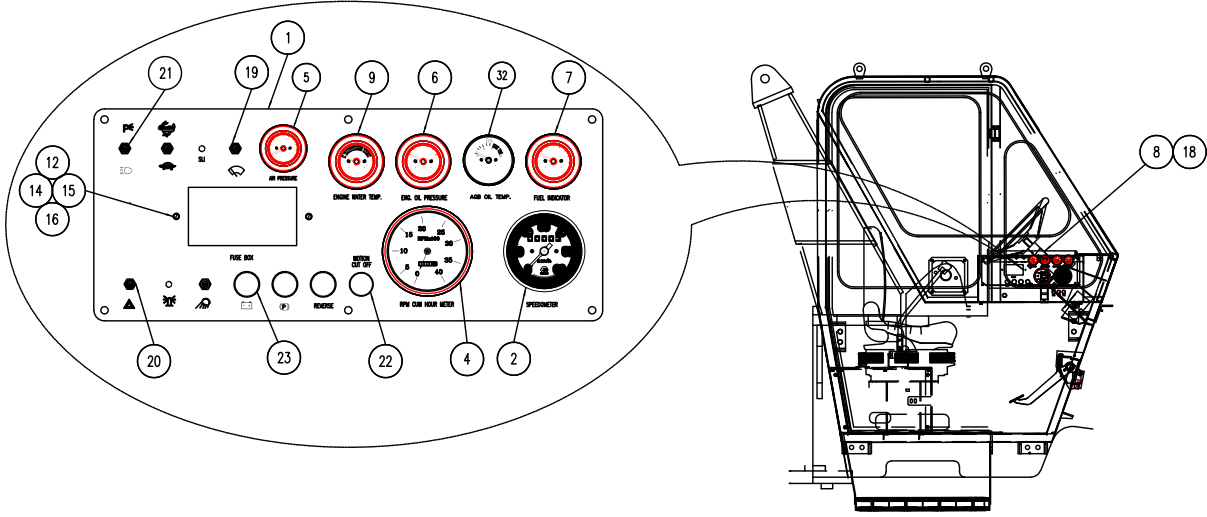
REAR VIEW



F-15-4WD/2WD

ELECTRICAL		ELECTRICALS ASSY-7310344-E		
S No	Part No	Description	Qty	Remarks
1	C7310939	TAIL LIGHT 4 CHAMBER 24 VOLT LHS	1	
2	C7310940	TAIL LIGHT 4 CHAMBER 24 VOLT RHS	1	
3	C7302269	REGISTRATION PLATE LIGHT 24V	2	
4	C8G925973820	ELECTRIC HORN 24 VOLTS	2	
5	C7308286	CAB LIGHT, 24V	1	
6	C7302267	HEAD LAMP ASSY. (24V)	2	
7	C7302270	SIDE INDICATORS LAMP, 24V	3	
8	C822B2010000	FAN 24 VOLT	1	
9	C7300688	FRONT LIGHT BOX	2	
9.1	C7300689	U PLATE	1	
9.2	C7300687	L PLATE	1	
9.3	C7300690	WELD BLOCK	1	
9.4	C8PP11530000	WELD NUT M10	4	
10	C7301480	U-BEND PLATE	2	
11	C9100095	HEX HEAD BOLT M10X30-8.8	2	
12	C9100076	HEX NUT M10	2	
13	C9100040	PUNCHED WASHER A11	12	
14	C9100266	HEX HEAD BOLT M10X20	12	
15	C9100044	SPRING WASHER A10	12	
16	C8V194904500	BRAKE SWITCH	1	
17	C8PP10786000	BULB CAB LIGHT, 24V	1	
18	C9100171	HEXAGON HEAD SCREW -M8X35-8.8	1	
19	C9100068	HEXAGON NUT -IS 1364 (PART-3)ISO 4032-M8-8	3	
20	C9100062	PUNCHED WASHER A9 IS:2016-STEEL	2	
21	C9100046	SPRING LOCK WASHER A8 IS:3063 (PHOSPHATE	2	
22	C9100167	HEXAGON HEAD SCREW- M8X16-8.8	1	
23	C9100445	HEXAGON HEAD SCREW -M6X15-8.8	2	
24	C9100150	SPRING LOCK WASHER A6 IS:3063 (PHOSPHATE	2	
25	C9100342	HEXAGON NUT -IS 1364 (PART-3)/ISO 4032-M6-8	2	
26	C8P051151000	"PVC TAPE 3/4"IN ROLLS STEEL GRIP MAKE"(IL)	1	
27	C7310937	WORK LIGHT	2	
28	C8PP11731000	WIPER MOTOR	1	
29	C7605545	BRACKET FAN MOUNTING	1	
30	C7605546	PAD RUBBER FAN MOUNTING	1	
31	C9100059	WASHER	1	
32	C9100274	HEXAGON HEAD SCREW -M12X45-	1	
33	C9100060	PREVALING TORQUE TYPE NUT M12-IS:7002-8-P	1	
34	C9100078	HEXAGON HEAD BOLT -M5X20-8.8	4	
35	C9100077	PLAIN WASHER A5 IS2016	4	
36	C9100341	HEXAGON NUT -IS 1364 (PART-3)/ISO 4032-M5-8	4	
37	C7311308	REMI FAN 24V	1	
38	C7309502	SPEED SENSOR	1	

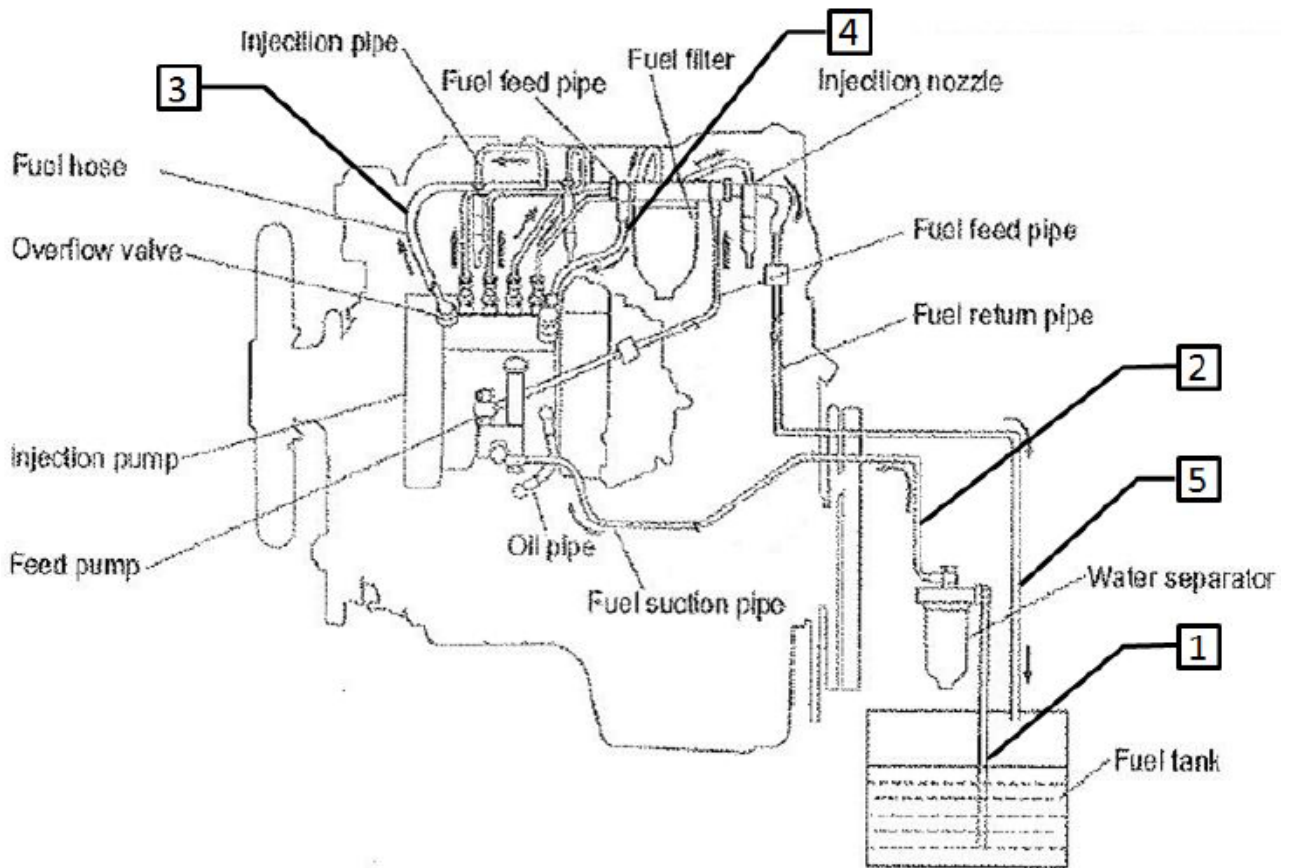
DASHBOARD ASSEMBLY- C7310535-E ECA 1-3845 WITH ECE02169CJ0201918 CUT-IN



F-15-2WD

ELECTRICAL		DASHBOARD ASSEMBLY- C7310535-E		
S No	Part No	Description	Qty	Remarks
1	C7312953	PLATE DASHBOARD	1	
2	C7309974	SPEEDOMETER	1	
4	C7304044	RPM CUM HOUR METER	1	
5	C8V051715000	AIR PRESSURE GAUGE	1	
6	C7304010	ENGINE OIL PRESSURE GAUGE	1	
7	C8F179602600	FUEL GAUGE	1	
8	C836B5001000	STEERING COLUMN SWITCH	1	
9	C7304011	WATER TEMP. GAUGE	1	
10	C819B5023000	MAIN IGNITION KEY	2	
11	C8T111703700	MAIN IGNITION SWITCH	1	
12	C8V194309200	SPEACER 12 OD 35L	2	
13	C9100445	HEXAGON HEAD SCREW -IS 1364 -M6X15-8.8	9	
14	C9100342	HEX NUT M6	1	
15	C9100073	PLAIN WASHER A6 IS2016 STEEL	9	
16	C9100150	SPRING WASHER M6	9	
18	C836C5038000	GROMMET FOR STEERING COLUMN SW	1	
19	C8V124301900	TOGGLE SWITCH TS-1010 SPST	3	
20	C8PP10284000	TOGGLE SWICH TS-1022	1	
21	C7302349	TOGGLE SWITCH TS-10223	1	
22	C836C5039000	DUMMY PLUG (RUBBER GROMMET)	1	
23	C8F853603700	INDICATING LAMP (RED), 24V	3	
24	C8F853604000	INDICATING LAMP (GREEN), 24V	2	
25	C8F853603900	INDICATING LAMP (BLUE), 24V	1	
26	C7303081	STICKER	1	
27	C7306977	AGB TEMP. GAUGE	1	
28	C7311926	SELF SAFETY RELAY	1	
29	C9100455	CHEESE HEAD SCREW M5X70	2	
30	C9100460	SPRING WASHER M5	2	
31	C9100341	HEX NUT M5	2	

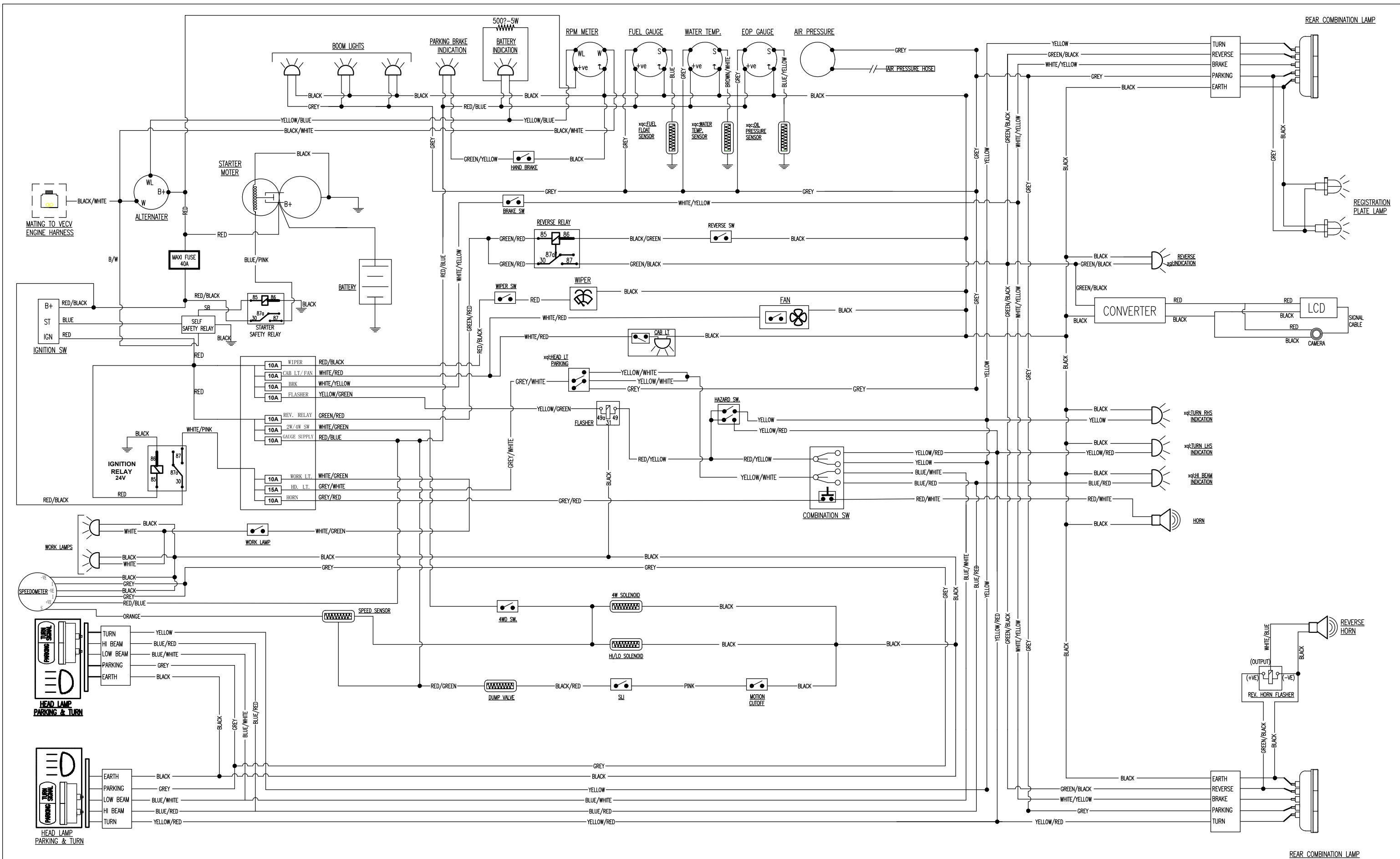
FUEL CIRCUIT



F-15

ELECTRICAL		FUEL CIRCUIT		
S No	Part No	Description	Qty	Remarks
1	C8M004110700	FUEL HOSE- FUEL TANK TO WATER SEPERATOR	1	
2	C7302103	FUEL HOSE- WATER SEPERATOR TO FEED PUMP	1	
3	C7302103	FUEL HOSE- FEED PUMP TO FUEL FILTER	1	
4	C7302103	FUEL HOSE- FUEL FILTER TO FUEL INJECTION PUMP	1	
5	C7304228	FUEL HOSE- ENGINE RETURN LINE TO FUEL TANK	1	

ELECTRICAL CIRCUIT



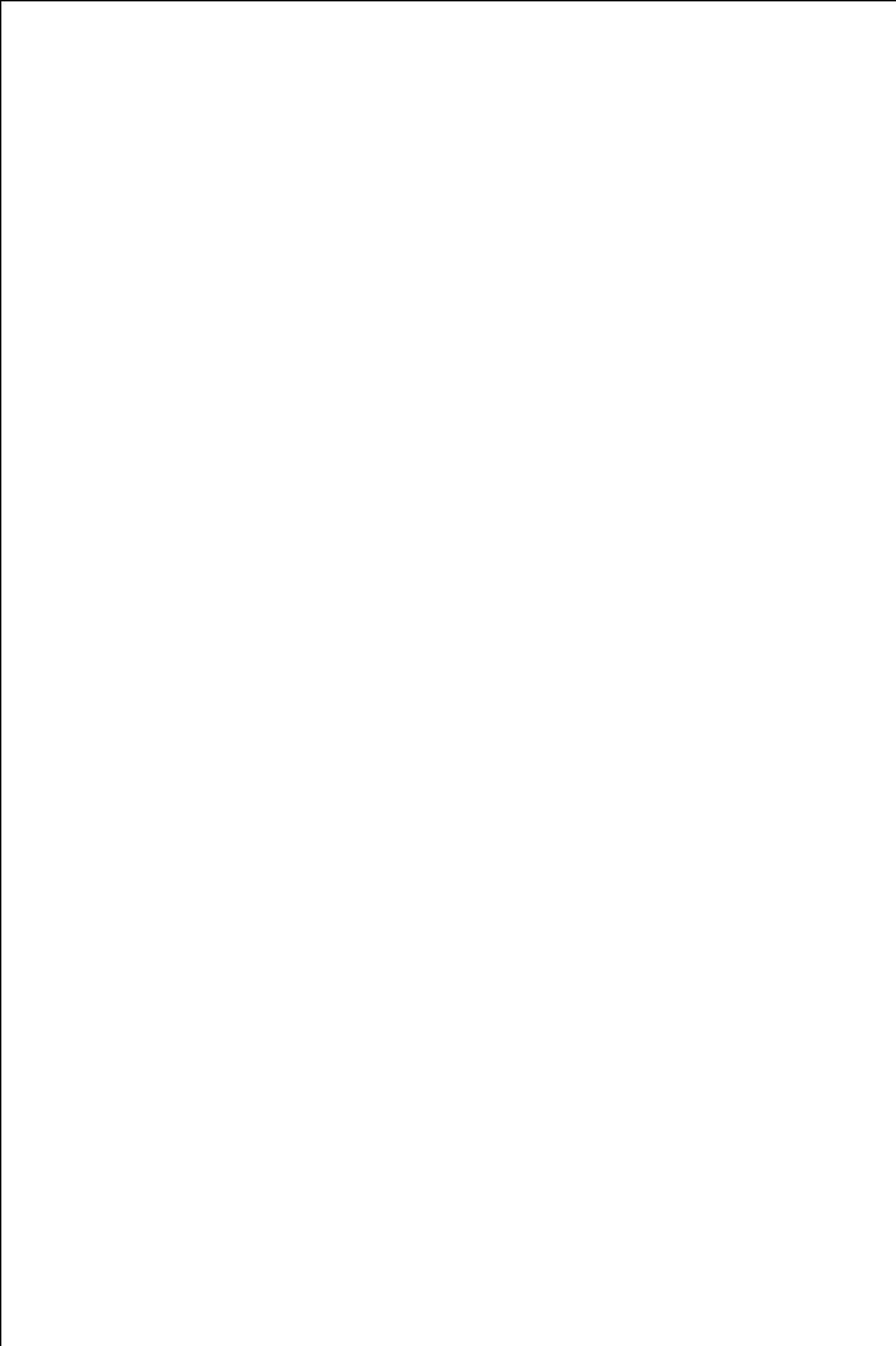
TOOL KIT

F-15

TOOL KIT		TOOL KIT		
S No	Part No	Description	Qty	Remarks
1	C819B4001000	D/E SPANNER 10X11	1	
2	C819B4002000	D/E SPANNER 12X13	1	
3	C819B4004000	D/E SPANNER 19X22	1	
4	C819B4003000	D/E SPANNER 14X17	1	
5	C819B4015000	COMBINATION PLIAR 6"	1	
6	C819B4014000	FLAT TIP SCREW DRIVER 6MM 250MM LONG	1	
7	C819B4005000	D/E SPANNER 27X30	1	
8	C819B4017000	BALL PIN HAMMER 800gms.	1	
9	C819B4016000	ADJUST WRENCH 10"x 250MM LONG"	1	
10	C819B4018000	TOOL KIT BAG	1	
11	C7201005	D/E WHEEL SOCKET SPANNER WITH TOMMY BAR	1	

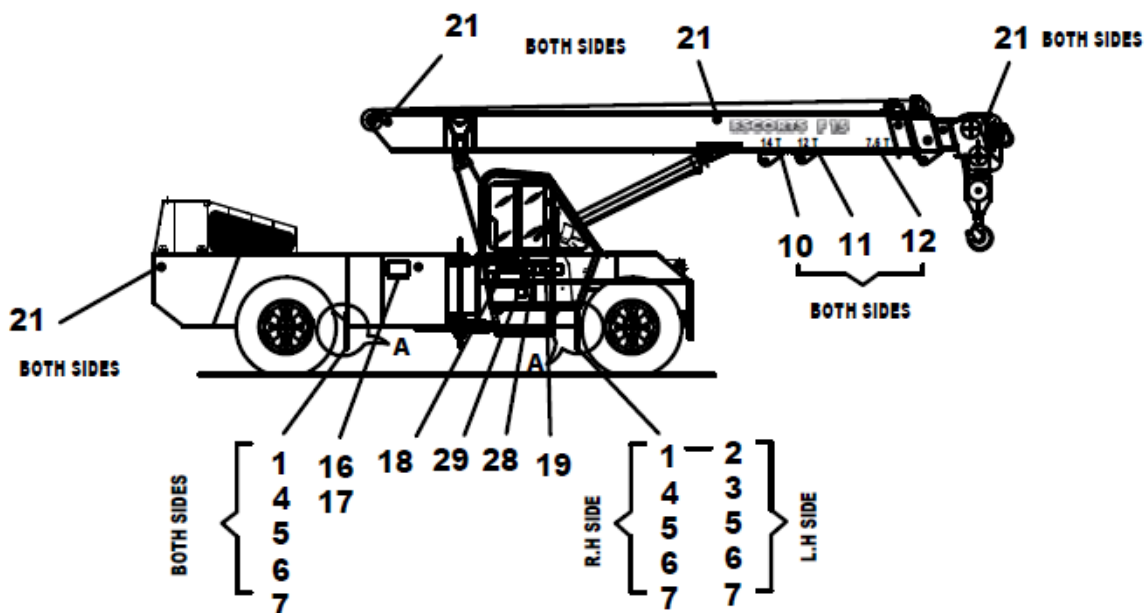
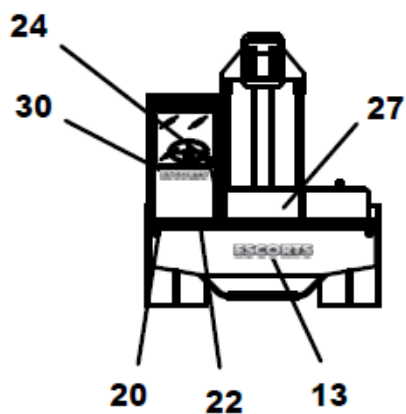
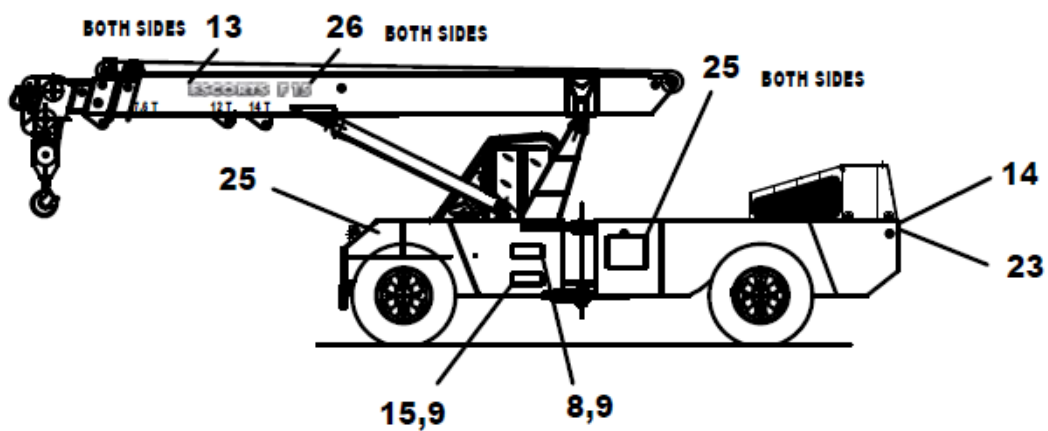


ESCORTS



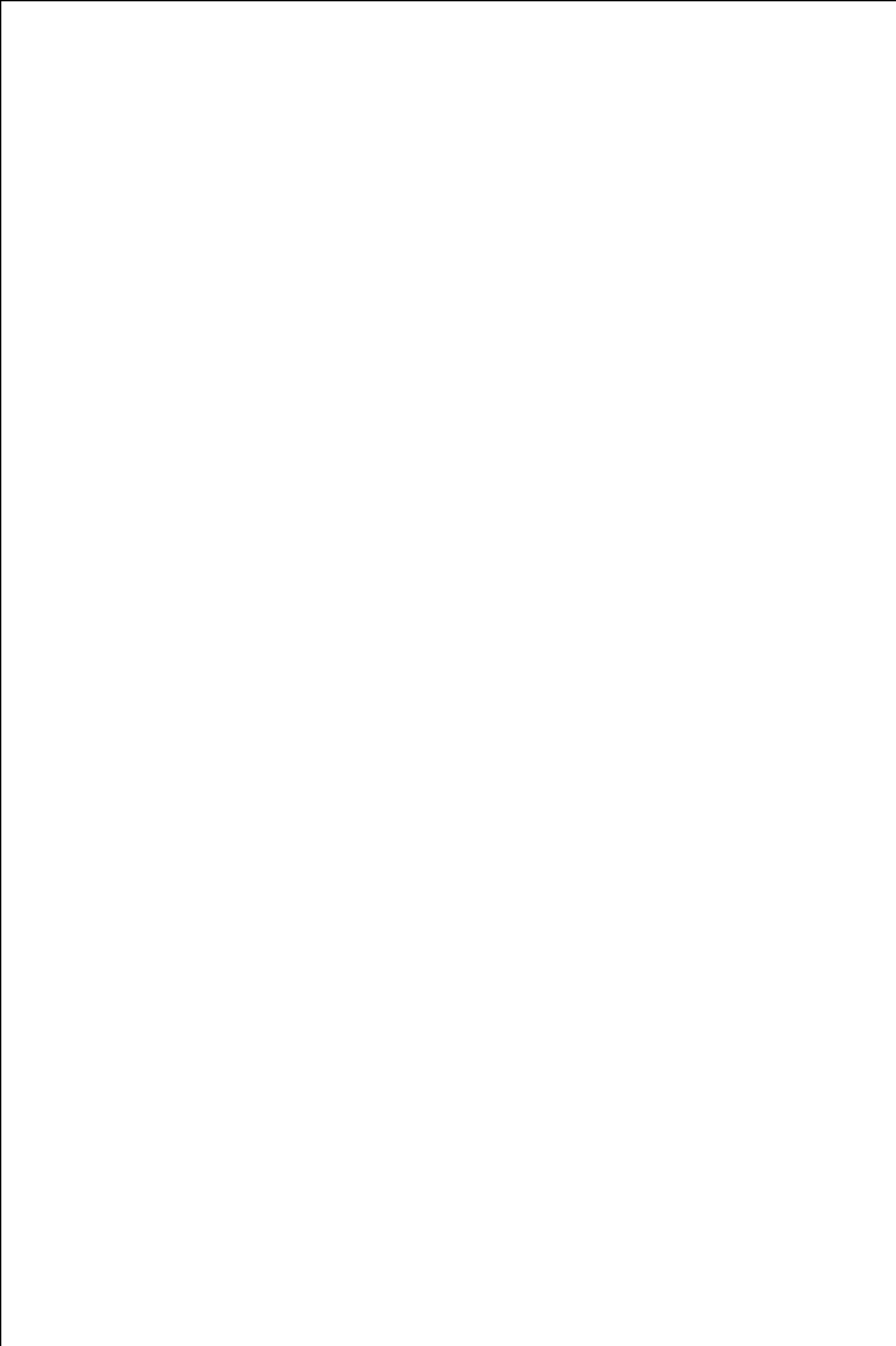
DECALS

STICKER



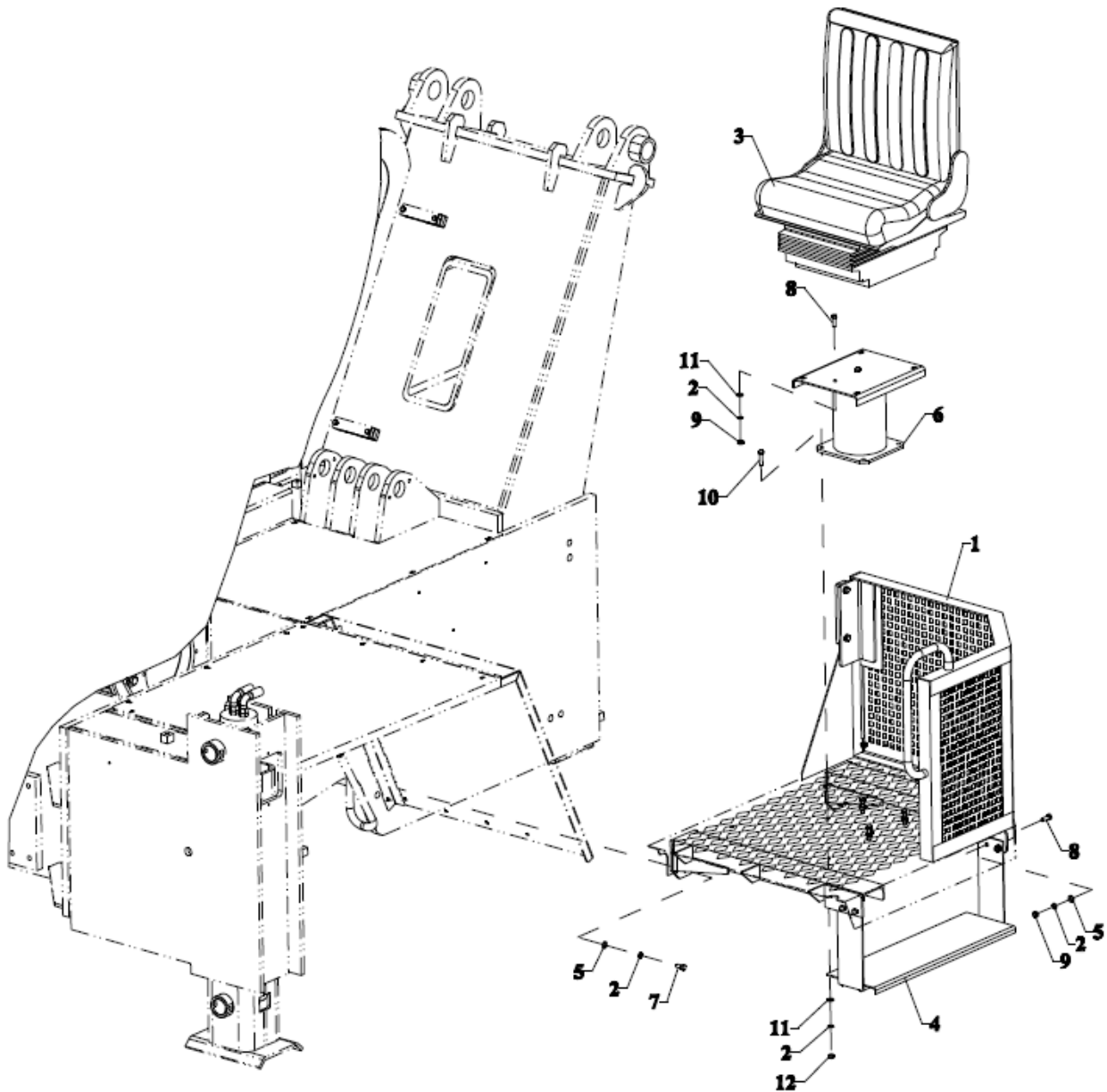
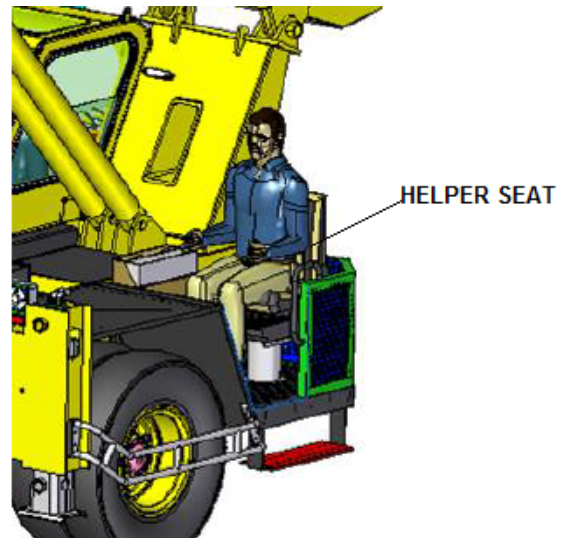
F-15

DECALS		STICKER		
S No	Part No	Description	Qty	Remarks
1	8X00C1111B0	MUD FLAP (SMALL)	3	
2	8X222201300	MUD FLAP (LARGE)	1	
3	8X222202200	MUD FLAP BOLTING STRIP (LARGE)	2	
4	8X00C1064A0	MUD FLAP BOLTING STRIP	6	
5	9100166	HEXAGON HEAD SCREW-IS 1364 (PART 2)/ISO 4017 - M8X25-8.8	17	
6	9100068	HEXAGON NUT-IS 1364(PART 3)/ISO 4032- M8-8	17	
7	9100062	PUNCHED WASHER 9 A IS:2016-1967-STEEL	17	
8	8V194400210	DATA PLATE	1	
9	8N155406000	SELF TAPING RIVET 6X6.5	8	
10	C7308259	14T STICKER	2	
11	C7308260	12T STICKER	2	
12	C7308261	STICKER (7.6T)	2	
13	C7308188	STICKER ESCORTS (F-15)	3	
14	8V160006300	NAME PLATE - ESCORTS	1	
15	C7400307	NAME PLATE ECEL	1	
16	8M105412900	DIESEL WHITE & BLACK (STICKER)	1	
17	8M105412800	STICKER HYDRAULIC FLUID	1	
18	822C2010A00	STICKER -REGULAR MAINTENANCE	1	
19	822C2021A00	STICKER-LOAD CHART	1	
20	8V194306900	REFLECTOR (WHITE)	2	
21	8V194306800	REFLECTOR (AMBER)	12	
22	8V181701600	REFLEXIVE TAPE - WHITE ,25MM WIDE	3	
23	8V181701500	REFLEXIVE TAPE - RED ,25MM WIDE	3	
24	822C107600	STICKER - KNOB GEAR SHIFT	1	
25	8X222201900	WARNING STICKER	1	
26	C7308187	STICKER F-15	2	
27	7201004	TOOL KIT	1	
28	822C3090A00	INSTRUCTION PLATE	1	
29	822C3091A00	WARNING STICKER	1	
30	C7308194	STICKER-ESCORTS(CABIN-REAR)	1	
31	C7308090	STICKER WARNING	1	



OPTIONAL

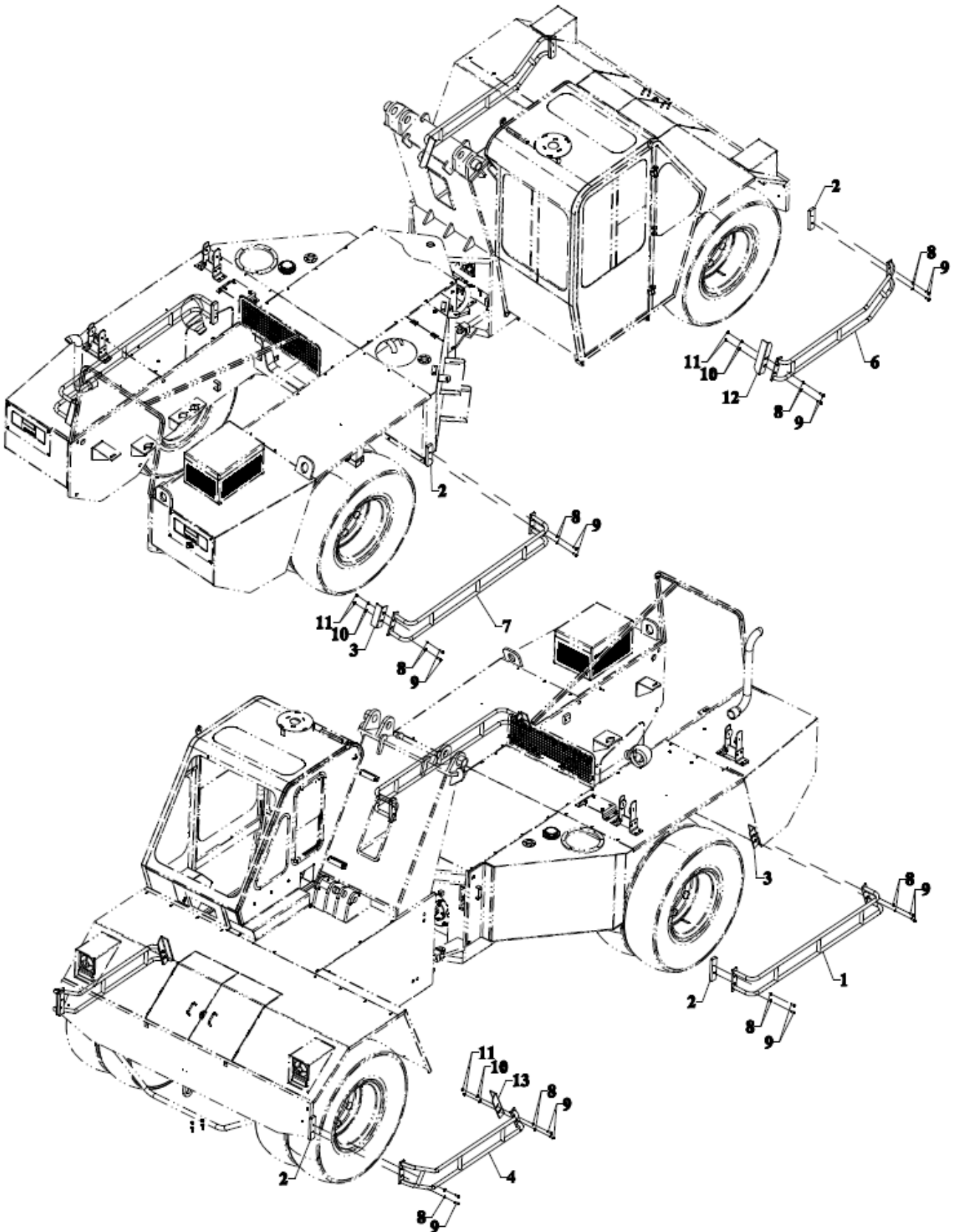
HELPER SEAT INSTALLATION



F-15

OPTIONAL		HELPER SEAT INSTALLATION		
S No	Part No	Description	Qty	Remarks
1	C7305862	PLATFORMFAB.	1	
2	C9100044	SPRINGLOCKWASHER	16	
3	C8X2214009	DRIVERS SEAT	1	
4	C822F1056B0	FOOT STEP ASSY	1	
5	C9100040	PUNCHED WASHER	12	
6	C822F105700	SEAT MTG.BKT.	1	
7	C9100267	HEXAGON HEAD SCREW	8	
8	C9100048	HEXAGON HEAD SCREW	6	
9	C9100041	NYLOCKNUT	6	
10	C9100192	HEXAGON HEAD SCREW	4	
11	C9100040	PUNCHED WASHER	6	
12	C9100076	HEXAGON NUT	4	

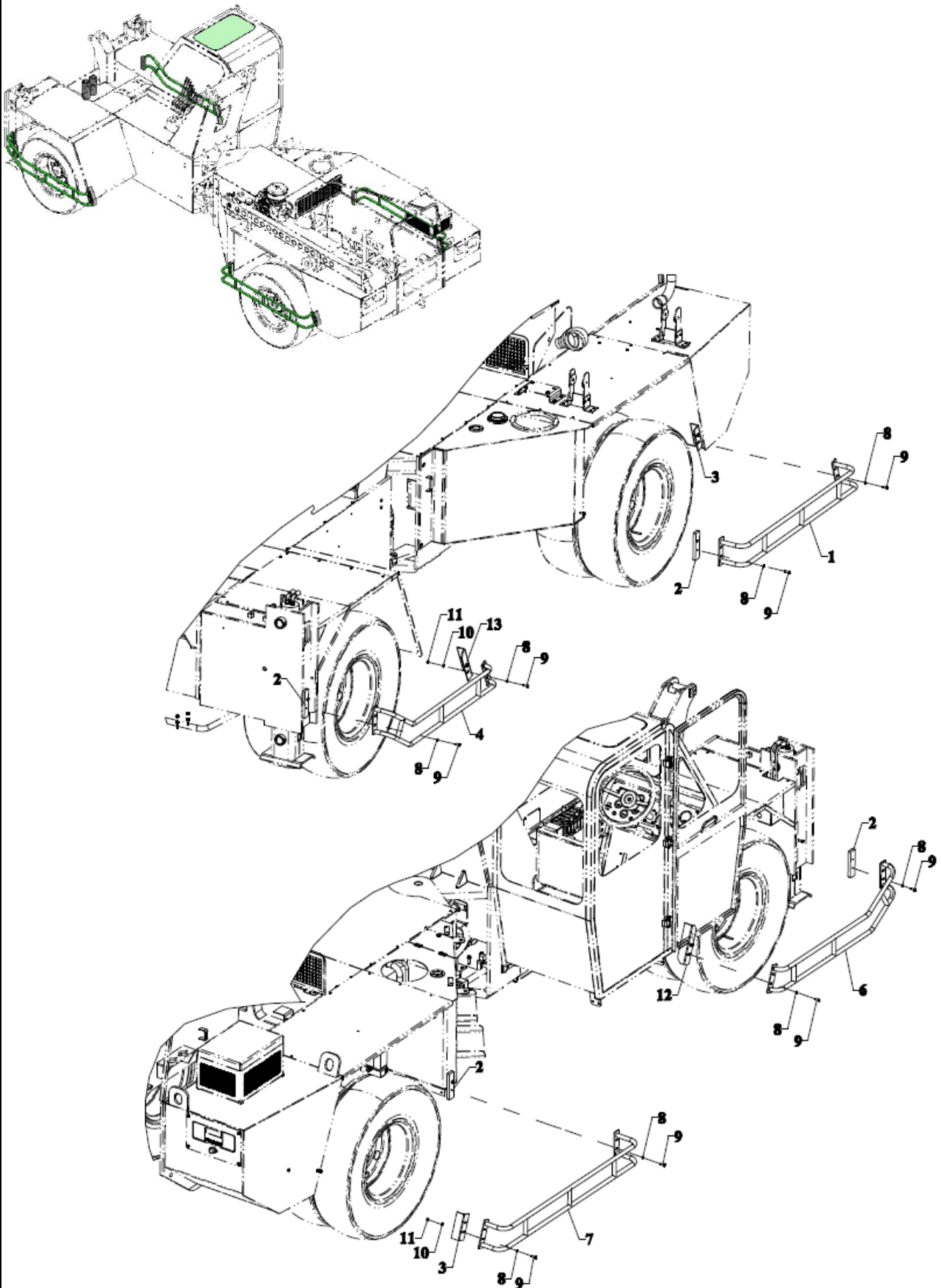
TYRE GUARD INSTALLATION - STD.



F-15

OPTIONAL		TYRE GUARD INSTALLATION - STD.		
S No	Part No	Description	Qty	Remarks
1	C7305366	REAR TYRE GUARD-LH	1	
2	C7303780	PLATE	4	
3	C7304609	MTG. BRACKET	2	
4	C7305369	FRONT TYRE GUARD-LH	1	
6	C7305370	FRONT TYRE GUARD-RH	1	
7	C7305365	REAR TYRE GUARD-RH	1	
8	C9100044	SPRING LOCK WASHER	16	
9	C9100269	HEXAGON HEAD SCREW	16	
10	C9100040	PUNCHED WASHER	8	
11	C9100076	HEXAGON NUT	8	
12	C7305829	MTG. BRACKET	1	
13	C7305833	MTG. BRACKET	1	

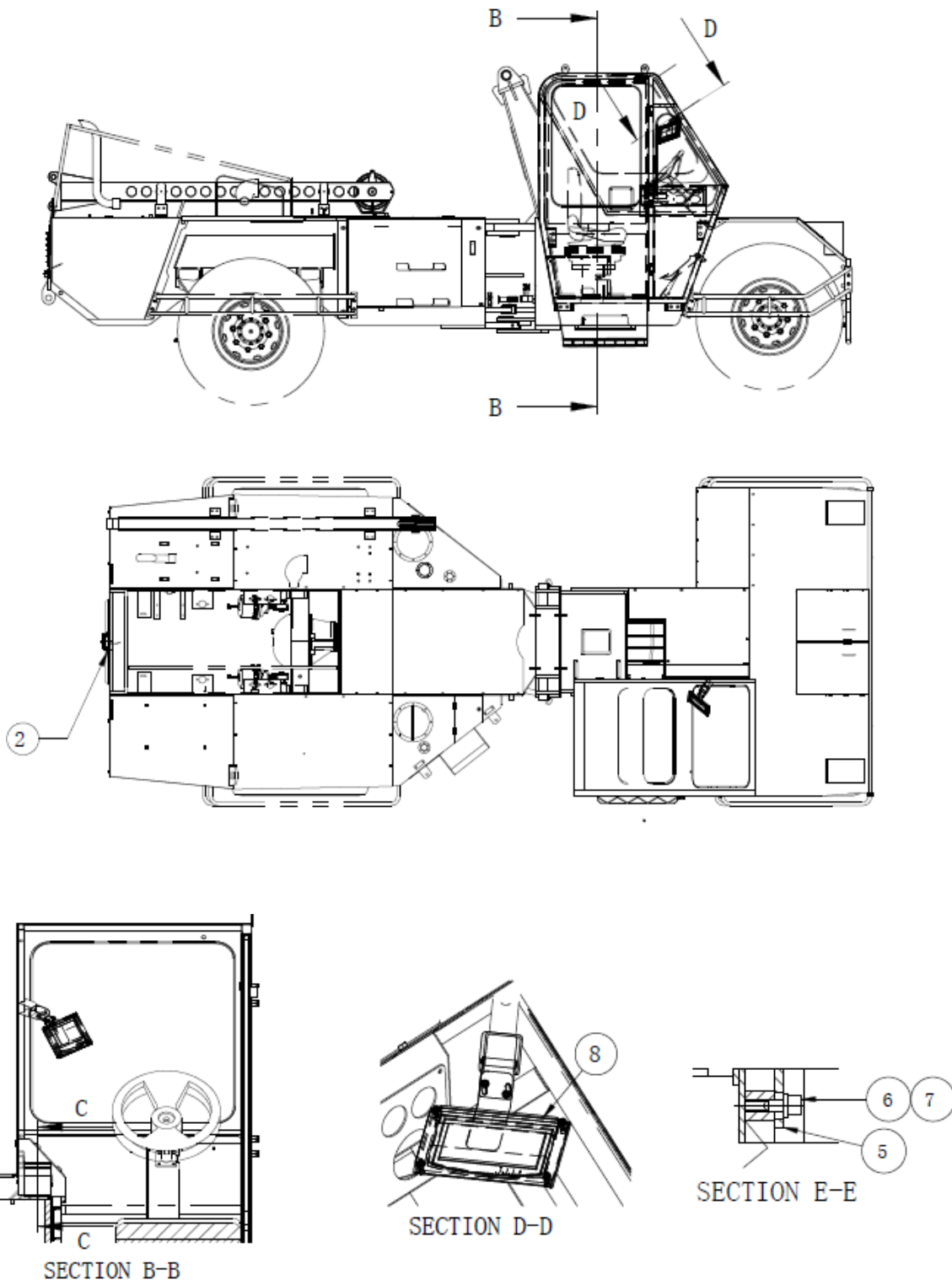
TYRE GUARD INST. OUTRIGGER



F-15

OPTIONAL		TYRE GUARD INSTALLATION OUTRIGGER		
S No	Part No	Description	Qty	Remarks
1	C7305366	REAR TYRE GUARD-LH	1	
2	C7303780	PLATE	4	
3	C7304609	MTG. BRACKET	2	
4	C7305382	FRONT TYRE GUARD-LH	1	
6	C7305381	FRONT TYRE GUARD-RH	1	
7	C7305365	REAR TYRE GUARD-RH	1	
8	C9100044	SPRING LOCK WASHER	16	
9	C9100269	HEXAGON HEAD SCREW	16	
10	C9100040	PUNCHED WASHER	8	
11	C9100076	HEXAGON NUT	9	
12	C7305829	MTG. BRACKET	1	
13	C7305833	MTG. BRACKET	1	

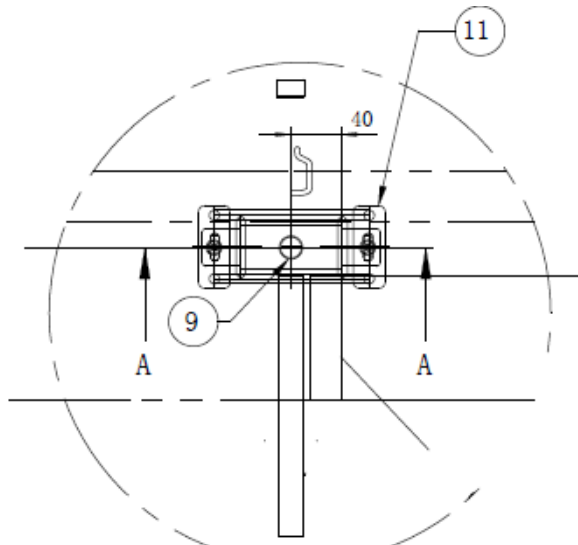
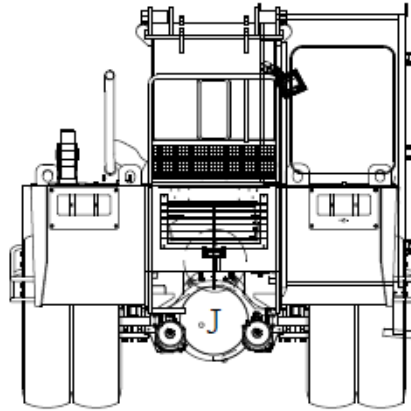
CAMERA & LCD ASSY INSTALLATION-D ECA 1-3645



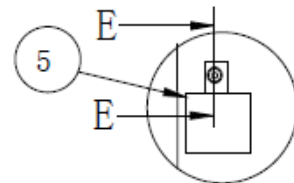
F-15

ELECTRICAL		CAMERA INSTALLATION-7310498-D		
S No	Part No	Description	Qty	Remarks
1	7305417	CAMERA MTG BRACKET	1	
2				
3	9100073	PLAIN WASHER A6 IS: 2016 STEEL	2	
4	9100445	HEXAGON HEAD SCREW- M6X15-8.8	2	
5	7310034	VOLTAGE CONVERTER	1	
6	9100133	PUNCHED WASHER A4 IS: 2016-STEEL	1	
7	9101195	HEXAGON SOCKET SET SCREW M4X8	1	
8	7310448	LCD ASSY	1	
9	7310033	CAMERA	1	
10				
11	7306512	CAMERA GRILL ASSY	1	

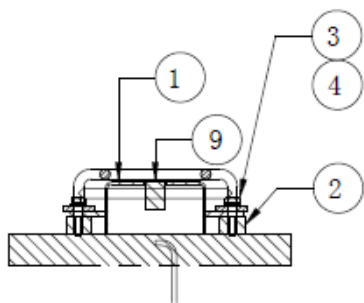
CAMERA & LCD ASSY INSTALLATION-D ECA 1-3645



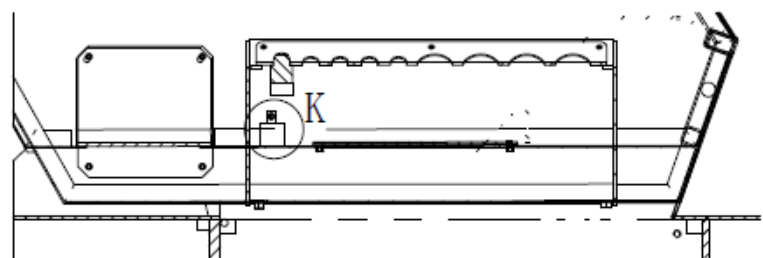
DETAIL J



DETAIL K



SECTION A-A

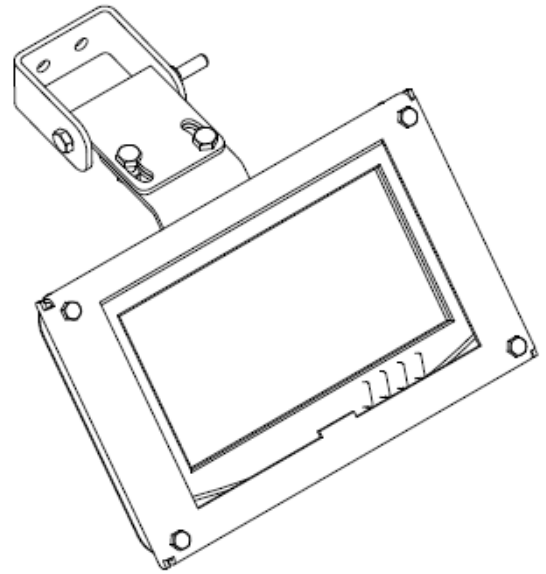


SECTION C-C

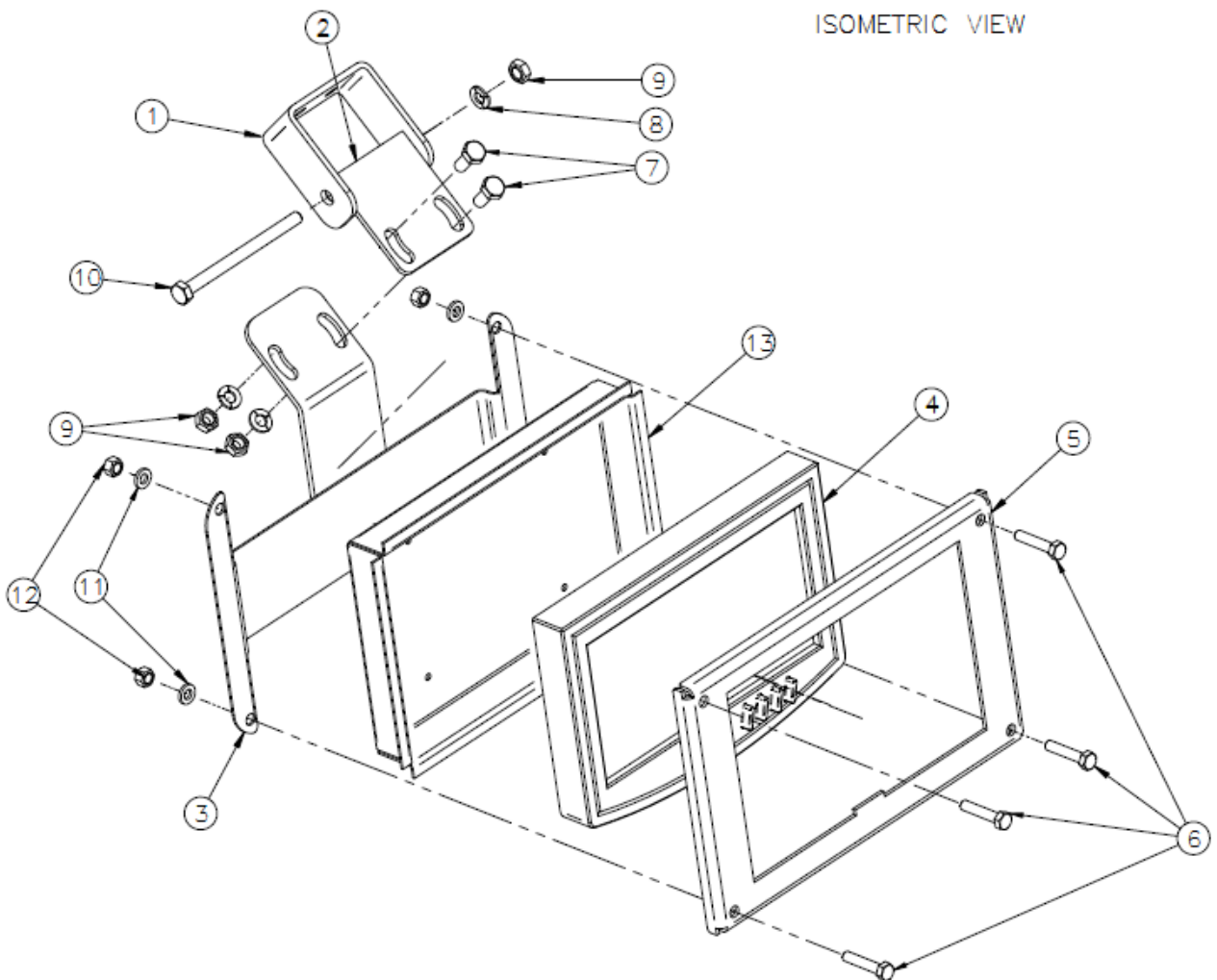
F-15

ELECTRICAL		CAMERA INSTALLATION-7310498-D		
S No	Part No	Description	Qty	Remarks
1	7305417	CAMERA MTG BRACKET	1	
2				
3	9100073	PLAIN WASHER A6 IS: 2016 STEEL	2	
4	9100445	HEXAGON HEAD SCREW- M6X15-8.8	2	
5	7310034	VOLTAGE CONVERTER	1	
6	9100133	PUNCHED WASHER A4 IS: 2016-STEEL	1	
7	9101195	HEXAGON SOCKET SET SCREW M4X8	1	
8	7310448	LCD ASSY	1	
9	7310033	CAMERA	1	
10				
11	7306512	CAMERA GRILL ASSY	1	

LCD ASSY. – 7310448-A



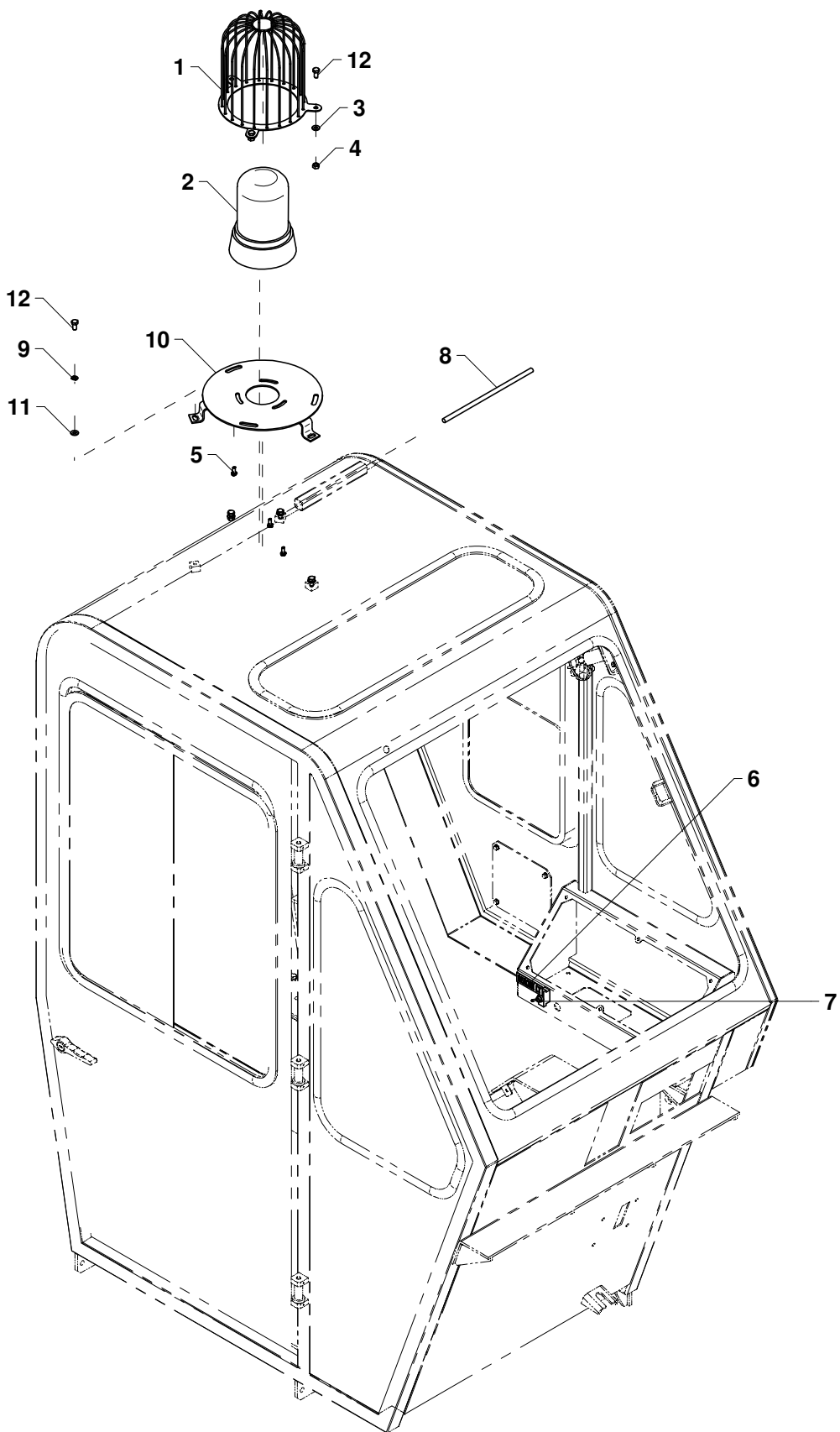
ISOMETRIC VIEW



F-17

OPTIONAL		LCD ASSY.- 7310448-A		
S No	Part No	Description	Qty	Remarks
1	C7304132	LCD U PLATE	1	
2	C7304130	LCD HINGE PLATE	1	
3	C7305818	LCD BACK PLATE	1	
4	C7310032	MONITER (LCD)	1	
5	C7310449	LCD PLATE	1	
6	C9100444	HEXAGON HEAD SCREW - M5X25-8.8	4	
7	C9100085	HEXAGONAL HEAD BOLT-M6X15-8.8	2	
8	C9100150	SPRING LOCK WASHER A6	3	
9	C9100342	HEXAGON NUT-IS 1364(PART 3)/ISO 4032- M6-8	3	
10	C9101175	HEXAGONAL HEAD BOLT- M6X80-8.8	1	
11	C9100077	PLAIN WASHER A5 IS: 2016 STEEL	4	
12	C9100341	HEXAGON NUT-IS 1364(PART 3)/ISO 4032- M5-8	4	
13	C7310035	SUPPORTING PLATE	1	

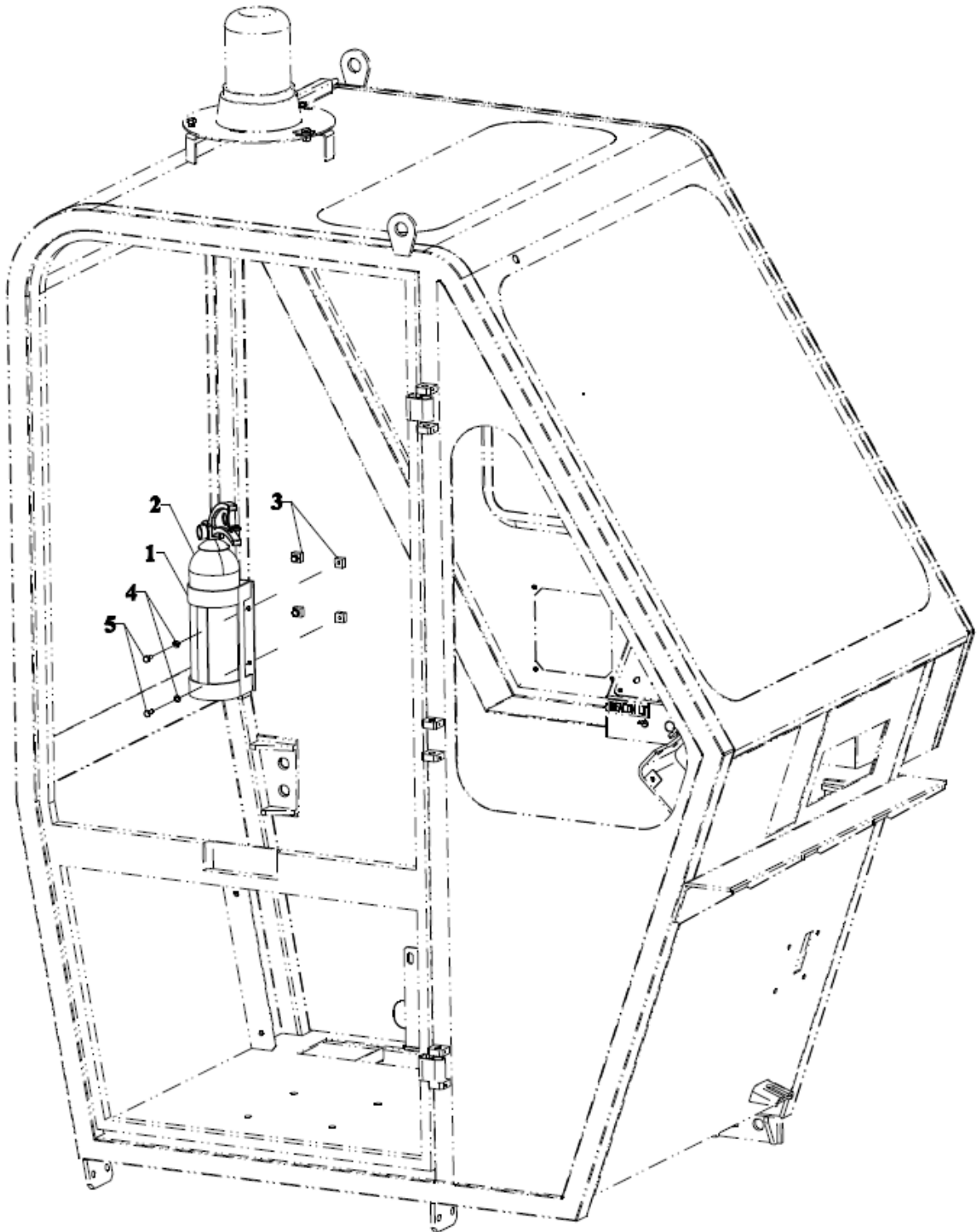
BEACON LIGHT INSTT-7305901-A ECA 1-3639



F-15

OPTIONAL		BEACON LIGHT INSTT-7305901-A		
S No	Part No	Description	Qty	Remarks
1	7954102	BEACON GUART LIGHT	1	
2	7305909	BEACON LIGHT 24V	1	
3	9100062	PUNCHED WASHER A9 IS: 2016-STEEL	3	
4	9100068	HEXAGON NUT-IS1364(PART-3)/ISO4032-M8-8	3	
5	9100085	HEXAGONAL HEAD BOLT M6X15	3	
6	7305797	STICKER (BEACON LIGHT)	1	
7	8V124301900	TOGGLE SW (SPST)	1	
8	7305885	W/H BEACON LIGH	1	
9	9100046	SPRING LOCK WASHER A8-IS:3063 (PHOSPHATE	3	
10	7308264	BECON LIGHT BRACKET	1	
11	9100062	PUNCHED WASHER A9 IS: 2016-STEEL	3	
12	9100167	HEXAGON HEAD SCREW- M8X16-8.8	6	

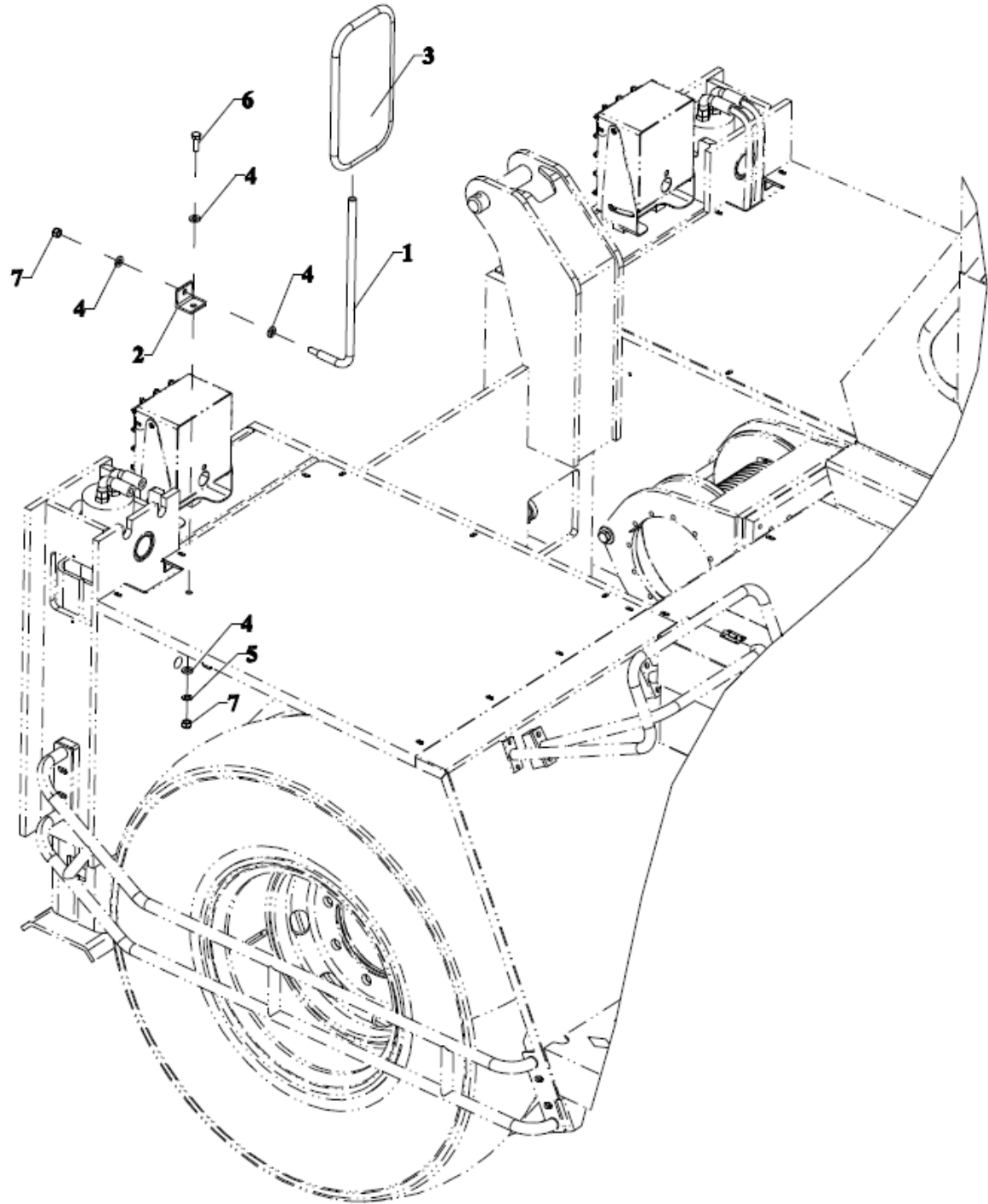
FIRE EXTINGUISHER ASSY



F-15

OPTIONAL		FIRE EXTINGUISHER ASSY		
S No	Part No	Description	Qty	Remarks
1	C7305910	BRACKET	1	
2	C38C102000	FIRECYL.	1	
3	C7305911	WELD BLOCK M6	4	
4	C9100150	SPRINGLOCKWASHER	4	
5	C9100445	HEXAGON HEAD SCREW	4	

REAR VIEW MIRROR INSTALLATION

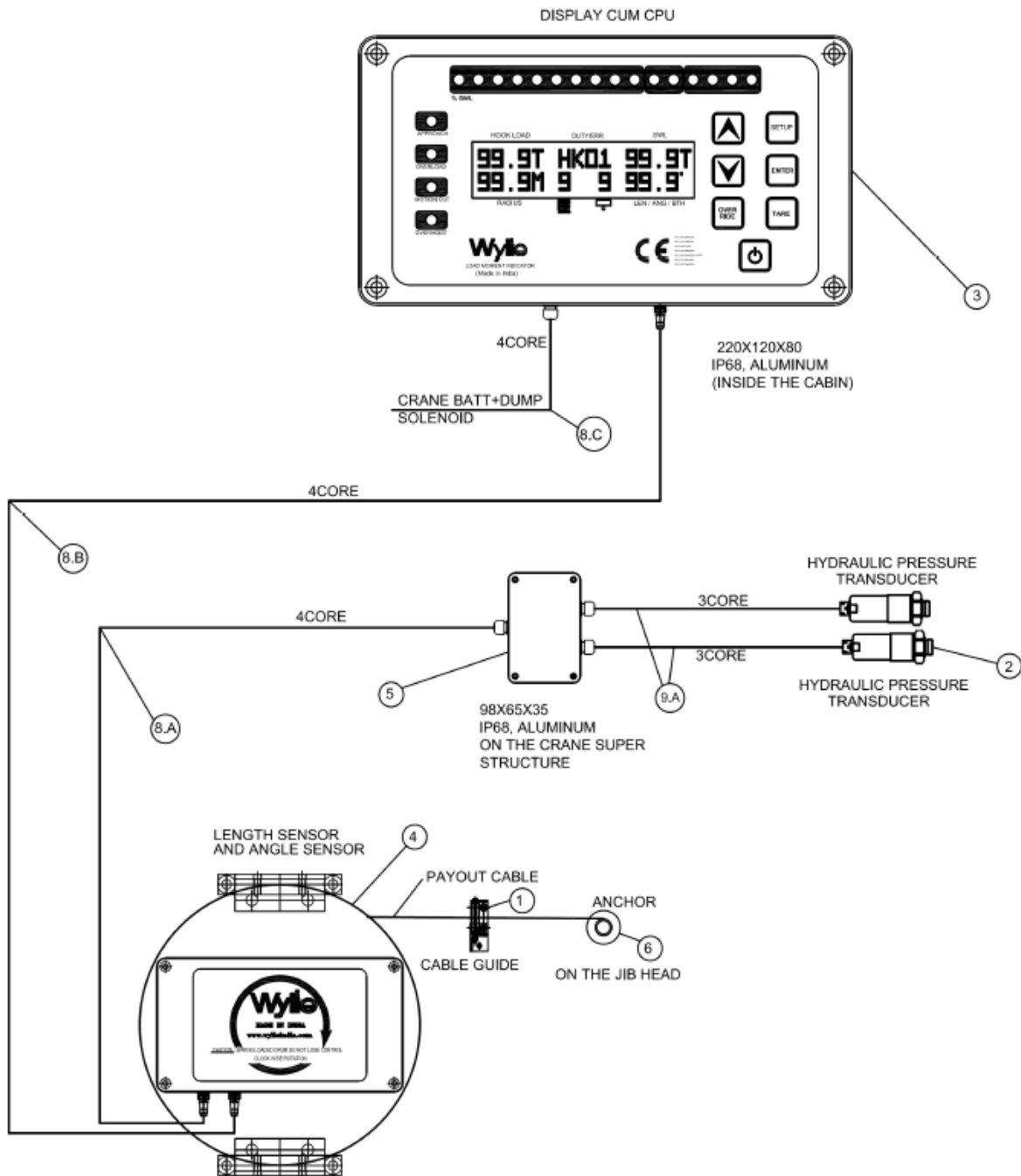


F-15

OPTIONAL		REAR VIEW MIRROR INSTALLATION		
S No	Part No	Description	Qty	Remarks
1	C847C11100	MIRROR MTG. ROD	1	
2	C847C11110	ANGLE MIRROR MTG. ROD	1	
3	C8PP1044100	SIDE MIRROR	1	
4	C9100059	PUNCHED WASHER	4	
5	C9100088	SPRINGLOCKWASHER	1	
6	C9100185	HEXAGON HEAD SCREW	1	
7	C9100060	PREVAILING TORQUE TYPE NUT	2	

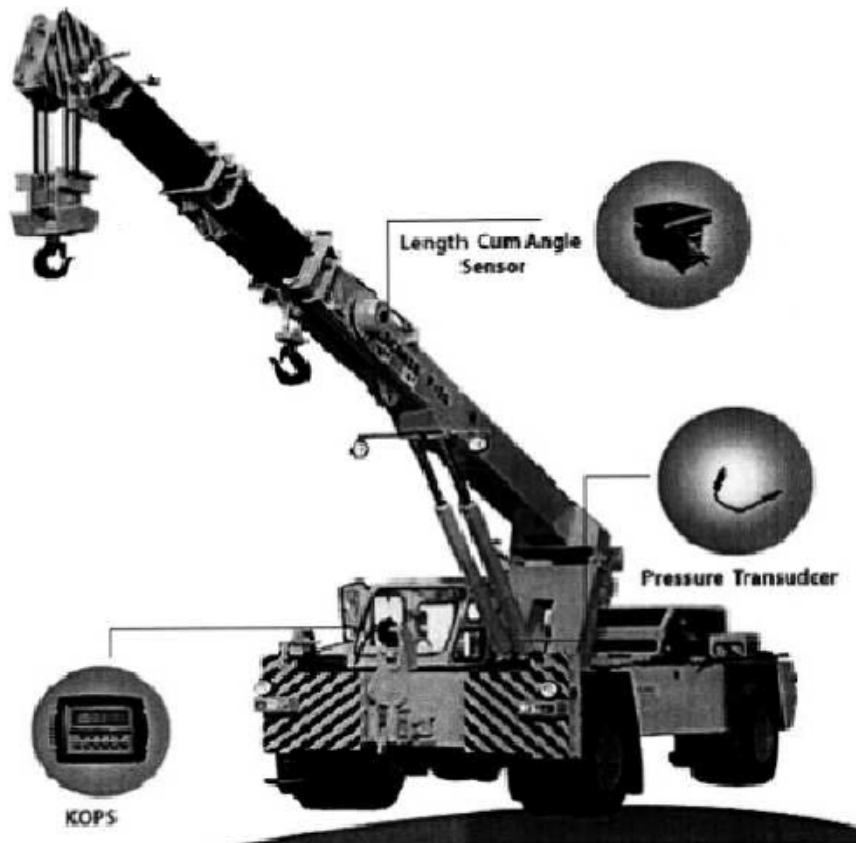
SLI - AVALON + WYLIN

SLI KIT - 7304955 - WYLIE



SR. NO.	WYLIE PART NO.	DESCRIPTION	ECE PART. NO.	QTY.
1	141-004-00	GUIDE ASSEMBLY CABLE	C7312550	3
2	141-006-01	PRESSURE TRANSDUCER	C7312551	2
3	141-037-00	ASSEMBLY CPU DISPLAY	C7313441	1
4	141-039-00	INCLINOMETER TELE P&C	C7312553	1
5	141-040-00	TERMINATION UNIT	C7312554	1
6	238-173-00	CABLE ANCHOR	C7312555	1
7	533-401-00	CABLE ROUND SHIELDED	C7312556	4
8	533-402-00	CABLE ROUND SHIELDED	C7312557	21
9	533-409-00	CABLE ROUND SHIELDED	C7312648	5
10	825-016-00	USER MANUAL CAN SMART	C7312559	2
11	825-016-01	WIRING SLI CAN SMART	C7312560	2
12	825-016-02	TRS CAN SMART	C7312561	2

SLI KIT - 7304955 - AVALON



SR. No:	Description	Part No:	QTY	Pic
1	Disply Pick & Carry	91682R1	1 Nos	
2	Length Small 20 Mtr-1	91263R1	1 Nos	
3	Mounting Kit Desply	71824	1 Nos	
4	Cable Ties 150 mm	172002	30 Nos	
5	Relay Cable Harness	95166R5	1 Nos	
6	0.5 SQ.MM ATC 2 Core Mounting Cable	180033	5 Mtr	
7	Pressure Transducer Assy (Escort Adaptor)	71183R1	1 Set	
8	Mounting Kit For Length	71811R1	1Set	
9	6 Core Mounting Cable 8 Mtr	95215	1 Nos	

F-15
SPARE PARTS NUMBERS LIST

WYLIE_SLI_KIT_C7304955				S7304955000	7304955
REF	PART NO.	NAME	QTY.		
1	141-004-00	CABLE GUIDE ASSY.	3.00	SK141004000	141-004-00
2	141-006-01	PRESSURE TRANS ASSY.	2.00	S7310369020	7310369W-02
3	141-037-00	CPU CUM DISPLAY/PSU	1.00	S7310369030	7310369W-03
4	141-039-00	INCLINOMETER, TELE P&C	1.00	S7310369040	7310369W-04
5	141-040-00	TERMINATION UNIT	1.00	S7304955050	7304955W-05
6	238-173-00	CABLE , ANCHOR	1.00	S7310369060	7310369W-07
7	533-401-00	CABLE, ROUND, SHIELDED	4.00	S7310369070	7310369W-08
8	533-402-00	CABLE, ROUND, SHIELDED	21.00	S7304955080	7310369W-09
9	533-409-00	CABLE, ROUND, SHIELDED	5.00	SK533409000	533-409-00
10	825-016-00	PARTS & USER MANUAL, CAN SMART	2.00	S7304955100	7304955W-10
11	825-016-01	SLI WIRING, CAN SMART	2.00	S7304955110	7304955W-11
12	825-020-00	TRS, CAN SMART, F15	2.00	S7304955120	7304955W-12

AVALON_SLI_KIT_C7304955				S7304955AV0	7304955AV
SR. NO.	PART NO.	DESCRIPTION	QTY		
1	91682R1	DISPLAY PICK & CARRY	1 NOS	S7304955A10	7304955AV-01
2	91263R1	LENGTH SMALL 20 Mtr-1	1 NOS	S7304955A20	7304955AV-02
3	71824	MOUNTING KIT DESPLY	1 NOS	S7304955A30	7304955AV-03
4	172002	CABLE TIES 150 MM	30 NOS	S7304955A40	7304955AV-04
5	95166R5	RELAY CABLE HARNESS	1 NOS	S7304955A50	7304955AV-05
6	180033	0.5 SQ MM ATC 2 CORE MOUNTING CABLE	5 NOS	S7304955A60	7304955AV-06
7	71183R1	PRESSURE TRANSDUCER ASSY	1 NOS	S7304955A70	7304955AV-07
8	71811R1	MOUNTING KIT FOR LENGTH	1 NOS	S7304955A80	7304955AV-08
9	95215	6 CORE MOUNTING CABLE 8 Mtr	1 NOS	S7304955A90	7304955AV-09

ESCORTS SCOPE OF SUPPLY PARTS

SOURCE	PAGES	REMARKS
WYLIE INDICATOR LTD.	1 OF 3	
AVALON TECHNOLOGIES	2 OF 3	
ESCORTS	3 OF 3	REFER BELOW PARTS DETAIL

S.NO.	PART NO.	PART DESCRIPTION	QTY
1	C8D932032000	MOTION CUTOFF (PUSH BUTTON SW)	1
2	C8D930195000	CONTACT PIECE (NO)RAAS-B2-BZ101,10 AMP	1
3	C8V124301900	TOGGLE SWITCH	1

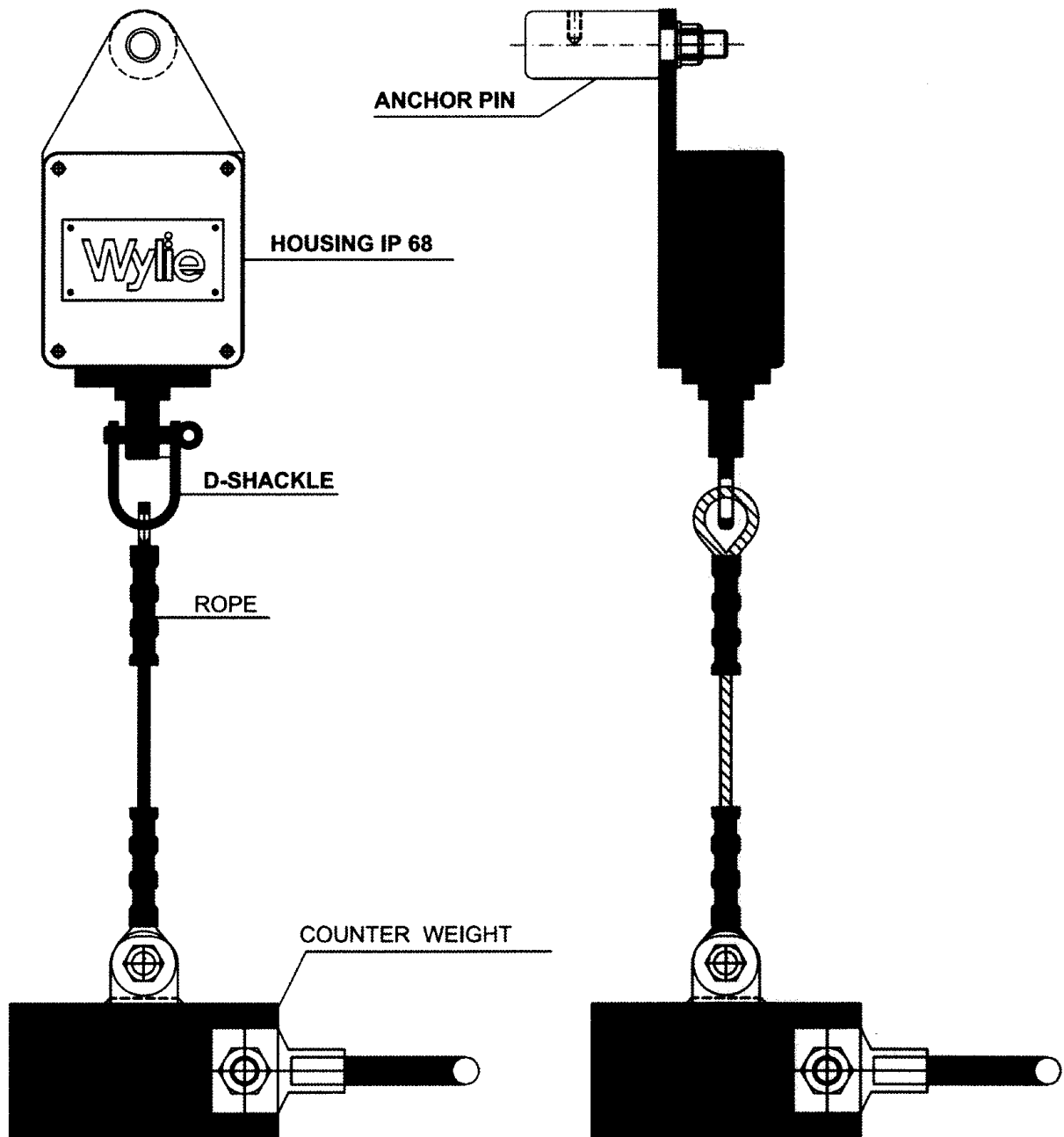
OVER HOIST ARRANGEMENT-7306685



A2B Limit Switch

SR. No:	Description	Part No:	QTY	Pic
1	A2B Limit Switch	91116R1	1 Nos	
2	Square Dead Weight	52599	1 Nos	
3	Wire Rope Sling	53263R1	2 Nos	

ANTI TWO BLOCK ASSLY-7306685-C



PARTS MANUAL

BOM : OVER HOIST LIMIT SWITCH ASSY.
 TITLE:" TELE PNC CRANE FOR O/H W/ C. WT. MOD

DATE: 19/02/2018
 PAGE NO: 01
 PART NO: 141-048-00

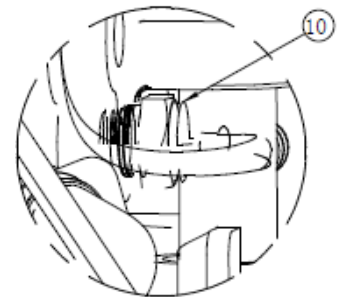
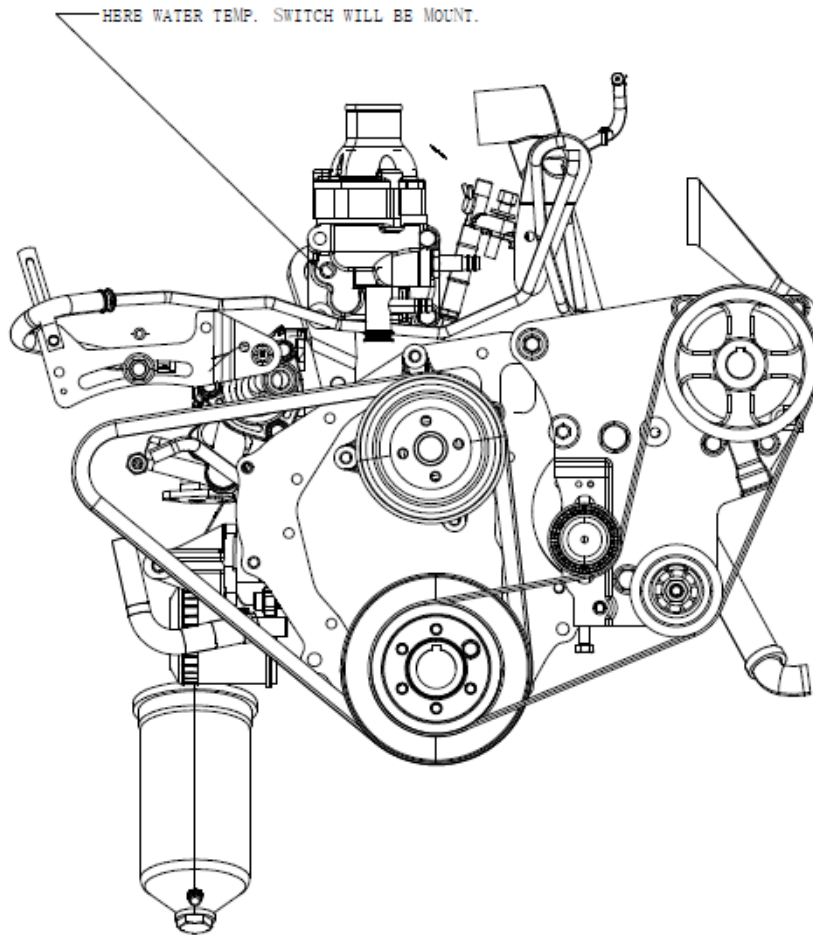
REF	PART NO	NAME	Q/U	UOM	REMARKS
1	141-049-00	LIMIT SWITCH ASSY.	1.00	No	
2	245-029-00	ANCHOR PIN	1.00	No	
3	245-030-00	COUNTER WEIGHT	1.00	No	
4	593-010-00	WIRE ROPE	1.00	No	
REFERENCE					
	245-025-00	G.A.DRG	0.00	No	
WIL / PM / LMI /02-18					

F-15
SPARE PART NUMBER FOR OVER HOIST KIT

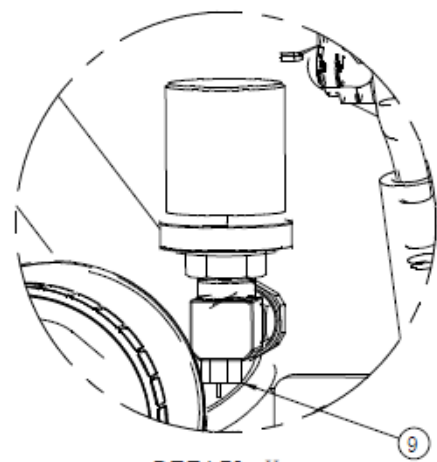
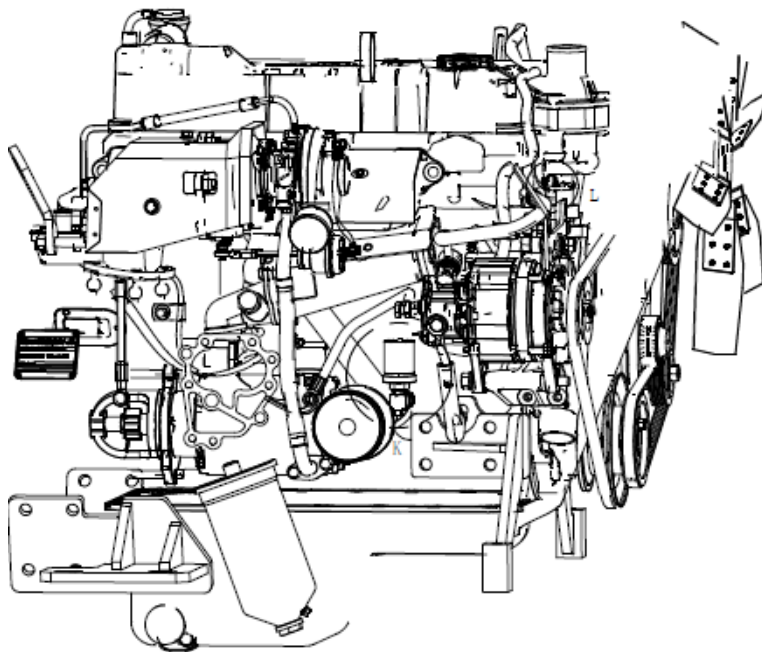
WYLIE_OVER HOIST KIT_C7306685				S7306685000	7306685W
SR. NO.	DESCRIPTION	PART NO.	QTY	ECEL ITEM CODE	PART CODE
1	LIMIT SWITCH ASSY	141-049-00	1.00	S7306685W10	7306685W-01
2	ANCHOR PIN	245-029-00	1.00	S7306685W20	7306685W-02
3	COUNTER WEIGHT	245-030-00	1.00	S7306685W30	7306685W-03
4	WIRE ROPE	593-010-00	1.00	S7306685W40	7306685W-04

AVALON_OVER HOIST KIT_C7306685				S7306685AV0	7306685AV
SR. NO.	DESCRIPTION	PART NO.	QTY	ECEL ITEM CODE	PART CODE
1	A2B LIMIT SWITCH	91116R1	1 NOS	S7306685010	7306685.01
2	SQUARE DEAD WEIGHT	52599	1 NOS	S7306685020	7306685.02
3	WIRE ROPE SLING	53263R1	2 NOS	S7306685030	7306685.03

TELEMATIC KIT



DETAIL L

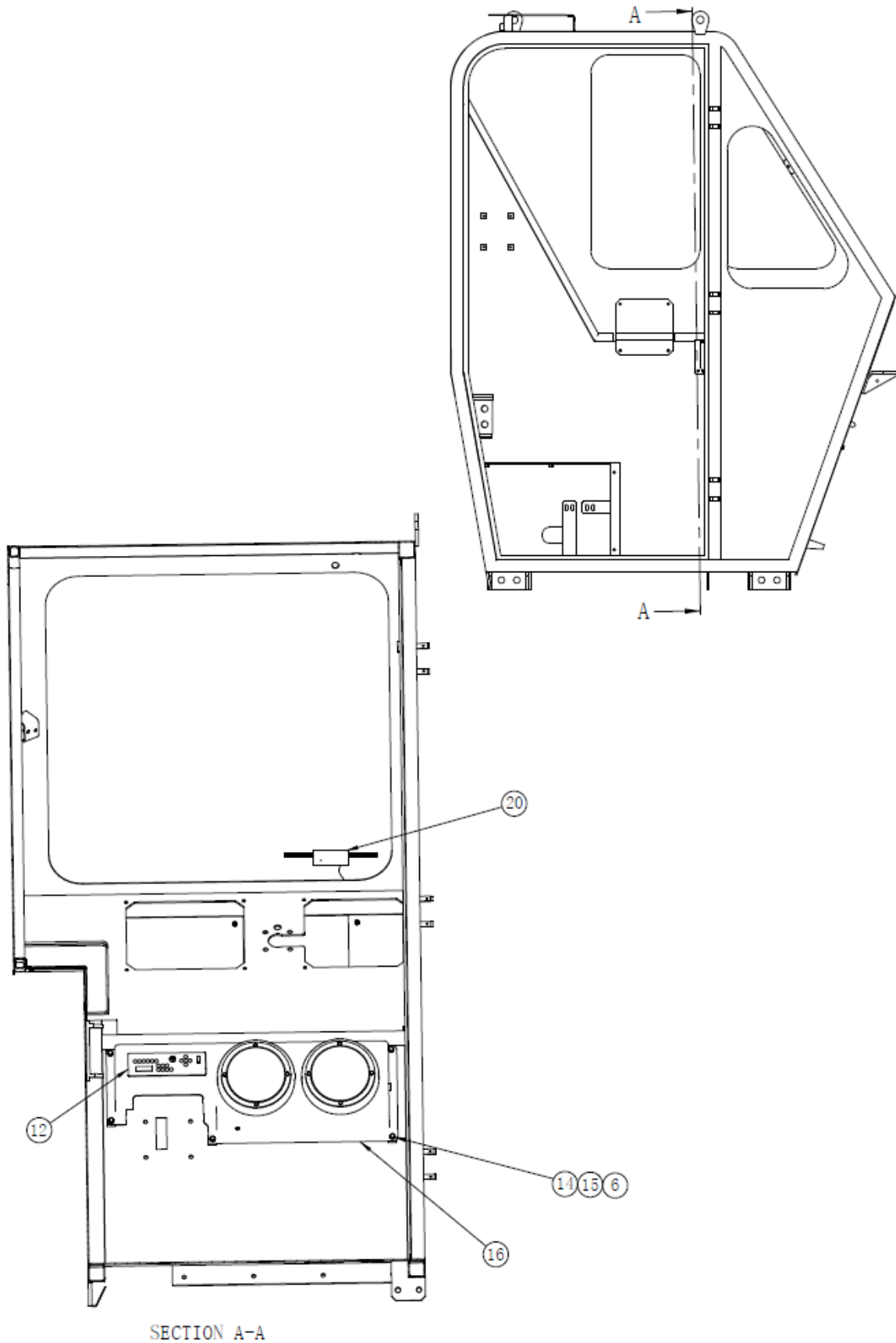


DETAIL K

F-15

OPTIONAL		TELEMATIC KIT		
S No	Part No	Description	Qty	Remarks
1	C7305222	ANTENNA MTG BKT.	1	
2	C7603486	ANTENNA FOR GPS	1	
3	C7603487	ANTENNA FOR GSM	1	
4	C7603485	SOS BUTTON	1	
5	C7310350	TNT 7969 TELEMATICS UNIT	1	
6	C9100150	SPRING LOCK WASHER A6- IS:3063 PHOSPHATE	9	
7	C9100085	HEXAGONAL HEAD BOLT-IS:1364:2002(PART	2	
8	C9100074	HEXAGON HEAD BOLT-IS 1364 (PART 2)/ISO 4017	2	
9	C7309430	PRESS. SWITCH	1	
10	C7309429	TEMP. SWITCH	1	
11	C7603619	RUBBER PAD FOR TNT	1	
12	C7603548	STEREO	1	
13	C7603552	SPEAKER	2	
14	C9100445	HEXAGON HEAD SCREW -IS 1364 (PART2) -ISO	5	
15	C9100150	SPRING LOCK WASHER A6 IS:3063 (PHOSPHATE	5	
16	C7310427	FRP COVER	1	
17	C9100341	HEXAGON NUT -IS 1364 (PART-3)/ISO 4032-M5-8	11	
18	C9100078	HEXAGON HEAD BOLT IS 1364 (PART1)/ISO4014-	11	
19	C7310034	CONVERTER	1	
20	C7603550	ANTENNA FOR FM RADIO	1	
21	C7310366	W/H TELEMATICS UNIT	1	
22	C9100134	HEXAGON HEAD SCREW-IS 1364 (PART 2)/ISO	1	

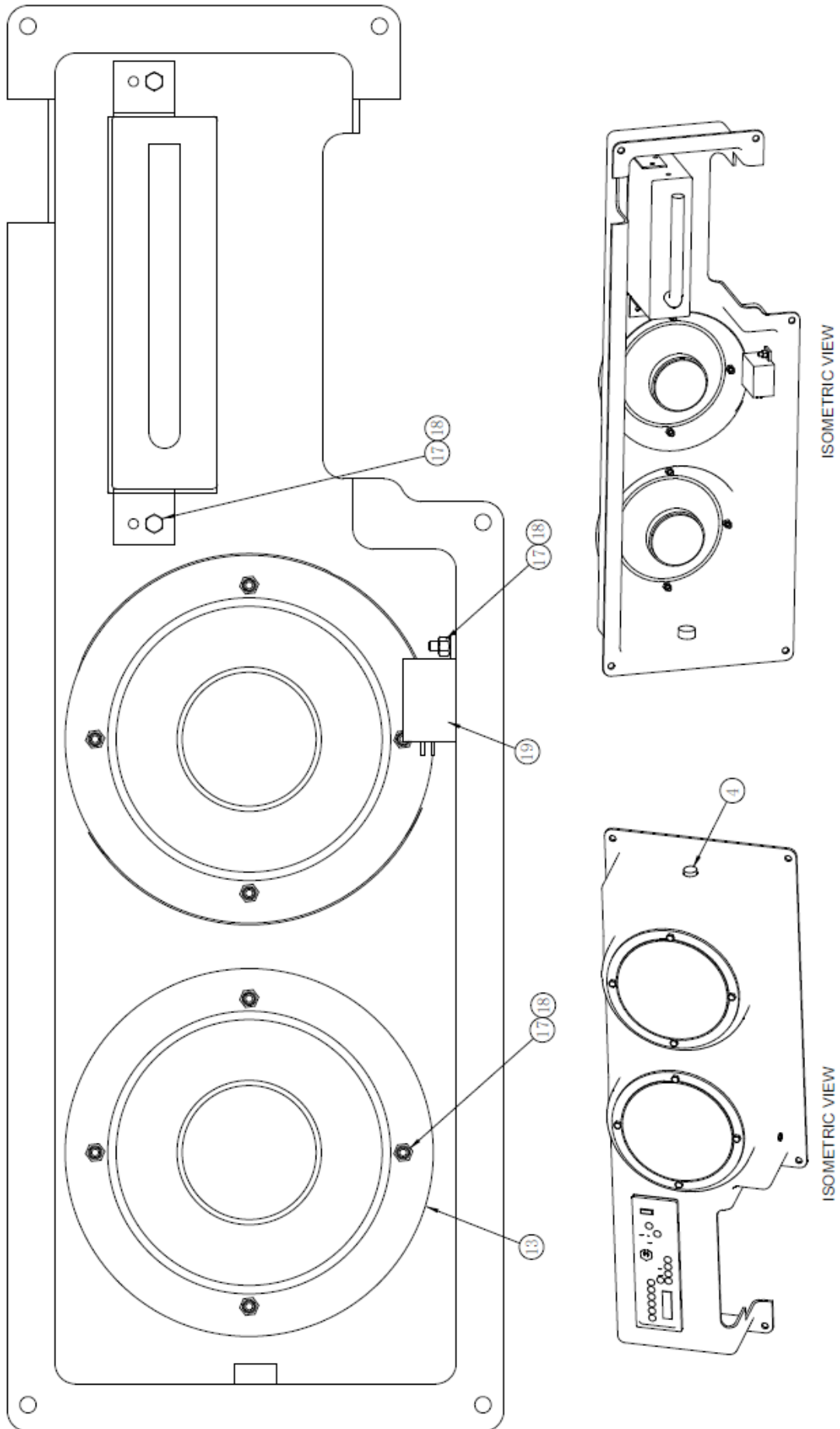
TELEMATIC KIT



F-15

OPTIONAL		TELEMATIC KIT		
S No	Part No	Description	Qty	Remarks
1	C7305222	ANTENNA MTG BKT.	1	
2	C7603486	ANTENNA FOR GPS	1	
3	C7603487	ANTENNA FOR GSM	1	
4	C7603485	SOS BUTTON	1	
5	C7310350	TNT 7969 TELEMATICS UNIT	1	
6	C9100150	SPRING LOCK WASHER A6- IS:3063 PHOSPHATE	9	
7	C9100085	HEXAGONAL HEAD BOLT-IS:1364:2002(PART	2	
8	C9100074	HEXAGON HEAD BOLT-IS 1364 (PART 2)/ISO 4017	2	
9	C7309430	PRESS. SWITCH	1	
10	C7309429	TEMP. SWITCH	1	
11	C7603619	RUBBER PAD FOR TNT	1	
12	C7603548	STEREO	1	
13	C7603552	SPEAKER	2	
14	C9100445	HEXAGON HEAD SCREW -IS 1364 (PART2) -ISO	5	
15	C9100150	SPRING LOCK WASHER A6 IS:3063 (PHOSPHATE	5	
16	C7310427	FRP COVER	1	
17	C9100341	HEXAGON NUT -IS 1364 (PART-3)/ISO 4032-M5-8	11	
18	C9100078	HEXAGON HEAD BOLT IS 1364 (PART1)/ISO4014-	11	
19	C7310034	CONVERTER	1	
20	C7603550	ANTENNA FOR FM RADIO	1	
21	C7310366	W/H TELEMATICS UNIT	1	
22	C9100134	HEXAGON HEAD SCREW-IS 1364 (PART 2)/ISO	1	

TELEMATIC KIT



F-15

OPTIONAL		TELEMATIC KIT		
S No	Part No	Description	Qty	Remarks
1	C7305222	ANTENNA MTG BKT.	1	
2	C7603486	ANTENNA FOR GPS	1	
3	C7603487	ANTENNA FOR GSM	1	
4	C7603485	SOS BUTTON	1	
5	C7310350	TNT 7969 TELEMATICS UNIT	1	
6	C9100150	SPRING LOCK WASHER A6- IS:3063 PHOSPHATE	9	
7	C9100085	HEXAGONAL HEAD BOLT-IS:1364:2002(PART	2	
8	C9100074	HEXAGON HEAD BOLT-IS 1364 (PART 2)/ISO 4017	2	
9	C7309430	PRESS. SWITCH	1	
10	C7309429	TEMP. SWITCH	1	
11	C7603619	RUBBER PAD FOR TNT	1	
12	C7603548	STEREO	1	
13	C7603552	SPEAKER	2	
14	C9100445	HEXAGON HEAD SCREW -IS 1364 (PART2) -ISO	5	
15	C9100150	SPRING LOCK WASHER A6 IS:3063 (PHOSPHATE	5	
16	C7310427	FRP COVER	1	
17	C9100341	HEXAGON NUT -IS 1364 (PART-3)/ISO 4032-M5-8	11	
18	C9100078	HEXAGON HEAD BOLT IS 1364 (PART1)/ISO4014-	11	
19	C7310034	CONVERTER	1	
20	C7603550	ANTENNA FOR FM RADIO	1	
21	C7310366	W/H TELEMATICS UNIT	1	
22	C9100134	HEXAGON HEAD SCREW-IS 1364 (PART 2)/ISO	1	

PARTS INDEX



PART NO.	PAGE NO.	PART NO.	PAGE NO.	PART NO.	PAGE NO.
200433	98	7302212	256	7303700.055	142
200433	102	7302267	320	7303700.055	144
7200283	114	7302267	334	7303700.055	144
7200305	114	7302269	320	7303700.056	142
7200363	176	7302269	334	7303700.056	144
7200415	170	7302270	320	7303700.057	142
7200415	172	7302270	334	7303700.057	144
7201000	114	7302349	322	7303700.059	148
7201004	408	7302377	220	7303700.061	150
7208127	166	7302377	222	7303700.08	148
7300216	200	7302895	186	7303700.084	142
7300219	166	7302903	220	7303700.084	144
7300219	168	7302903	222	7303700.089	142
7300225	168	7302905	220	7303700.089	144
7300225	172	7302905	222	7303700.09	142
7300441	200	7302923	228	7303700.09	144
7300447	200	7302938	312	7303700.093	142
7300528	200	7303081	322	7303700.093	144
7300687	320	7303218	256	7303700.094	142
7300687	334	7303289	176	7303700.094	144
7300688	320	7303604	166	7303700.095	142
7300688	334	7303604	170	7303700.095	144
7300689	320	7303605	166	7303700.105	150
7300689	334	7303605	170	7303700.107	132
7300690	320	7303606	166	7303794	312
7300690	334	7303606	170	7303801	228
7300837	166	7303677	220	7304010	322
7300837	168	7303677	222	7304011	322
7300837	172	7303690	120	7304044	322
7301253	174	7303691	120	7304054	312
7301254	168	7303692	220	7304206	220
7301254	172	7303692	222	7304206	222
7301347	178	7303693	220	7304251.002	266
7301360	166	7303693	222	7304251.003	272
7301480	320	7303695	220	7304257	186
7301480	334	7303695	222	7305075	166
7301793	174	7303696	220	7305075	170
7301825	220	7303696	222	7305076	166
7301825	222	7303700	120	7305076	170
7301827	322	7303700.001	132	7305417	418
7301841	220	7303700.007	148	7305417	420
7301841	222	7303700.008	132	7305659	110
7301878	232	7303700.009	150	7305732	276
7302065	256	7303700.011	148	7305732	278
7302083	256	7303700.012	150	7305732	282
7302101	256	7303700.013	150	7305733	276
7302108	214	7303700.015	132	7305733	278
7302137	180	7303700.016	134	7305733	282
7302146	172	7303700.017	134	7305734	276
7302147	172	7303700.018	134	7305734	278
7302163	8	7303700.025	132	7305734	280
7302163	10	7303700.025	134	7305734	282
7302164	8	7303700.027	134	7305735	276
7302164	10	7303700.037	148	7305735	278
7302170	8	7303700.038	132	7305735	280
7302170	10	7303700.04	148	7305735	282
7302171	8	7303700.047	136	7305736	276
7302171	10	7303700.055	142	7305736	278



PART NO.	PAGE NO.	PART NO.	PAGE NO.	PART NO.	PAGE NO.
7305736	280	7306555.012	134	7306555.069	150
7305736	282	7306555.013	134	7306555.07	150
7305737	276	7306555.014	136	7306555.071	150
7305737	278	7306555.015	134	7306555.072	148
7305737	280	7306555.016	134	7306555.073	148
7305737	282	7306555.017	134	7306555.074	148
7305738	276	7306555.018	134	7306555.075	148
7305738	278	7306555.019	134	7306555.076	148
7305738	280	7306555.02	134	7306555.077	148
7305738	282	7306555.021	134	7306555.078	148
7305740	276	7306555.022	134	7306555.079	148
7305740	278	7306555.023	134	7306555.08	150
7305740	280	7306555.024	134	7306555.081	150
7305740	282	7306555.025	136	7306555.082	150
7305741	276	7306555.026	136	7306555.083	150
7305741	278	7306555.027	136	7306555.084	150
7305741	280	7306555.028	136	7306555.085	150
7305741	282	7306555.029	136	7306555.086	150
7305742	278	7306555.03	148	7306555.087	150
7305743	276	7306555.031	138	7306555.088	150
7305743	278	7306555.031	148	7306555.089	134
7305743	280	7306555.032	148	7306555.09	142
7305743	282	7306555.033	148	7306555.091	144
7305744	276	7306555.034	132	7306555.092	142
7305744	278	7306555.035	132	7306555.093	144
7305744	280	7306555.036	136	7306555.094	142
7305744	282	7306555.037	136	7306555.095	142
7305745	276	7306555.039	134	7306555.095	144
7305745	280	7306555.04	138	7306555.096	142
7305745	282	7306555.041	138	7306555.096	144
7305746	276	7306555.042	140	7306555.097	146
7305746	278	7306555.043	140	7306555.098	146
7305746	280	7306555.044	132	7306555.099	146
7305746	282	7306555.045	148	7306555.1	146
7305747	276	7306555.046	148	7306555.101	146
7305747	278	7306555.047	148	7306555.102	146
7305747	280	7306555.047	148	7306555.103	146
7305747	282	7306555.048	148	7306555.104	142
7305763	256	7306555.049	148	7306555.104	142
7305764	256	7306555.05	148	7306555.104	144
7305765	256	7306555.051	148	7306555.104	144
7305766	256	7306555.052	148	7306555.105	138
7305797	424	7306555.053	148	7306555.106	138
7305885	424	7306555.054	148	7306555.107	142
7305909	424	7306555.055	148	7306555.107	144
7306512	418	7306555.056	148	7306555.108	142
7306512	420	7306555.057	148	7306555.108	144
7306555.001	138	7306555.058	148	7306555.109	142
7306555.002	138	7306555.059	148	7306555.109	144
7306555.003	132	7306555.06	148	7306555.11	142
7306555.004	132	7306555.061	148	7306555.11	144
7306555.005	134	7306555.062	148	7306555.111	142
7306555.006	134	7306555.063	148	7306555.111	144
7306555.007	134	7306555.064	148	7306555.112	142
7306555.008	134	7306555.065	150	7306555.112	144
7306555.009	134	7306555.066	150	7306555.113	142
7306555.01	134	7306555.067	148	7306555.113	144
7306555.011	134	7306555.068	150	7306555.114	142



PART NO.	PAGE NO.	PART NO.	PAGE NO.	PART NO.	PAGE NO.
7306555.114	144	7309834	276	9100044	232
7306555.115	142	7309834	278	9100044	256
7306555.115	144	7309834	282	9100044	296
7306555.116	142	7309879	276	9100044	320
7306555.116	144	7309879	278	9100044	334
7306555.117	142	7309879	280	9100046	162
7306555.117	144	7309879	282	9100046	166
7306555.118	142	7309880	276	9100046	170
7306555.118	144	7309880	278	9100046	174
7306555.119	146	7309880	280	9100046	176
7306555.12	138	7309880	282	9100046	180
7306555.121	136	7310019	130	9100046	186
7306555.122	134	7310020	110	9100046	192
7306555.123	132	7310033	418	9100046	214
7306555.124	132	7310033	420	9100046	220
7306555.125	134	7310034	418	9100046	222
7306555.126	134	7310034	420	9100046	228
7306555.127	136	7310063	296	9100046	232
7306555.128	136	7310063	298	9100046	256
7306555.129	136	7310131	296	9100046	296
7306555.13	134	7310131	298	9100046	298
7306555.132	132	7310328	260	9100046	424
7306555.134	132	7310448	418	9100047	214
7306555.135	148	7310448	420	9100052	162
7306555.136	132	7310902	214	9100052	174
7306555.137	134	7311514	208	9100052	186
7306555.138	134	7311597	160	9100052	192
7306555.139	132	7311598	160	9100052	232
7306555.14	132	7601684	162	9100059	8
7306555.14	134	7954102	424	9100059	10
7306555.142	134	8602060	114	9100059	110
7306561.227	132	8602070	114	9100059	120
7306958	322	8602130	114	9100059	174
7306979	276	8602140	114	9100059	220
7306979	278	8602150	114	9100059	222
7306979	280	8602160	114	9100060	114
7306979	282	8602172	114	9100060	120
7308003	120	8602180	114	9100060	166
7308011	162	9100040	162	9100060	170
7308093	220	9100040	176	9100061	180
7308093	222	9100040	214	9100061	296
7308108	214	9100040	220	9100061	298
7308110	214	9100040	222	9100062	166
7308125	168	9100040	228	9100062	170
7308200	214	9100040	232	9100062	174
7308227	276	9100040	320	9100062	176
7308227	278	9100040	334	9100062	180
7308227	280	9100041	162	9100062	186
7308227	282	9100041	176	9100062	214
7308235	276	9100043	174	9100062	220
7308235	278	9100044	8	9100062	222
7308235	280	9100044	10	9100062	228
7308235	282	9100044	162	9100062	256
7308264	424	9100044	176	9100062	312
7309724	208	9100044	186	9100062	408
7309833	276	9100044	208	9100062	424
7309833	278	9100044	214	9100062	424
7309833	282	9100044	228	9100065	166



PART NO.	PAGE NO.	PART NO.	PAGE NO.	PART NO.	PAGE NO.
9100065	170	9100159	296	9100342	220
9100066	168	9100166	186	9100342	222
9100066	172	9100166	214	9100342	232
9100066	176	9100166	220	9100342	256
9100067	114	9100166	222	9100344	166
9100068	186	9100166	228	9100344	170
9100068	214	9100166	256	9100346	186
9100068	228	9100166	408	9100348	176
9100068	256	9100167	166	9100348	180
9100068	408	9100167	170	9100352	8
9100068	424	9100167	424	9100352	10
9100073	162	9100168	160	9100409	166
9100073	220	9100171	174	9100409	170
9100073	222	9100171	176	9100420	110
9100073	232	9100175	160	9100422	120
9100073	418	9100184	232	9100445	192
9100073	420	9100185	114	9100445	232
9100076	186	9100185	174	9100445	418
9100076	220	9100189	160	9100445	420
9100076	222	9100190	110	9100447	162
9100076	228	9100215	220	9100447	180
9100076	296	9100215	222	9100447	220
9100076	320	9100217	296	9100447	222
9100076	334	9100220	208	9100448	232
9100081	110	9100224	8	9100455	322
9100081	166	9100224	10	9100460	322
9100081	170	9100237	8	9100462	170
9100085	424	9100237	10	9100464	268
9100088	110	9100260	160	9100486	162
9100088	114	9100262	232	9100496	174
9100088	220	9100264	174	9100496	180
9100088	222	9100266	320	9100508	176
9100092	114	9100266	334	9100508	180
9100095	320	9100267	162	9100526	176
9100095	334	9100267	256	9100537	110
9100099	296	9100268	110	9100559	176
9100099	298	9100269	214	9100560	176
9100106	192	9100269	228	9100569	8
9100107	176	9100275	220	9100569	10
9100110	228	9100275	222	9100601	176
9100124	232	9100280	114	9100606	180
9100124	232	9100283	114	9100616	110
9100126	174	9100284	174	9100617	110
9100126	180	9100284	192	9100621	8
9100133	418	9100287	176	9100621	10
9100133	420	9100307	220	9100719	220
9100150	162	9100307	222	9100719	222
9100150	192	9100307	228	9100736	220
9100150	220	9100309	114	9100736	222
9100150	222	9100312	120	9100826	256
9100150	232	9100312	166	9101195	418
9100150	232	9100312	170	9101195	420
9100150	256	9100317	166	9101214	8
9100155	256	9100317	170	9101214	10
9100157	8	9100318	312	9101215	8
9100157	10	9100340	232	9101215	10
9100157	296	9100341	322	9101216	110
9100158	296	9100342	162	9101346	256



PART NO.	PAGE NO.	PART NO.	PAGE NO.	PART NO.	PAGE NO.
9101452	296	21-M-7-051	98	22-C-3-108	200
9101452	298	21-M-7-051	102	22-C-3-109	178
10001013	294	21-M-7-056	98	22-C-3-109	200
10001013	294	21-M-7-056	102	22-F-1-051	234
10001066	294	21-M-7-069	100	22-F-1-056	232
10001102	294	21-M-7-069	104	22-F-1-057	232
10002066	294	21-M-7-077	98	22-F-2-014	162
10007033	294	21-M-7-077	102	22-F-2-063	164
10012026	294	22-A-3-006	170	22-M-1-018	234
10012026	294	22-A-3-015	166	22-M-2-023	120
10012040	292	22-A-3-015	170	22-M-2-028 A	120
10012043	292	22-C-1-102	232	22-M-3-007A	166
10012256	292	22-C-1-118	232	22-M-3-007A	170
10018018	294	22-C-1-156	232	22-M-3-012A	170
10020026	294	22-C-1-157	232	22-M-3-014	176
10020048	292	22-C-1-163	174	22-M-3-016	176
10023009	292	22-C-1-166	174	22-M-3-017	176
10023051	294	22-C-1-171	232	22-M-3-025	174
10023064	294	22-C-1-175/001	272	22-M-3-025	180
10025243	294	22-C-1-175/001	274	22-M-3-026	176
10025309	292	22-C-1-175/002	272	22-M-3-028	176
10038001	294	22-C-1-175/002	274	22-M-3-030	178
10038054	292	22-C-1-175/007	274	22-M-3-031	178
10038063	292	22-C-1-237 B	120	22-M-3-035	178
10039003	292	22-C-1-238 B	120	22-M-3-035	200
10312200	294	22-C-2-076	228	22-M-3-036	200
10318065	294	22-C-2-077	228	22-P-02-04	232
29966507	248	22-C-3-011	176	22-P-03-63	232
29966507	250	22-C-3-012	176	22-P-05-73	198
106100220	294	22-C-3-013	176	22-P-05-73	200
106102109	292	22-C-3-014	176	22-P-05-76	226
106102204	294	22-C-3-016	178	23-M-3-016	200
106102211	294	22-C-3-016	180	24-C-2-009	200
106110212	294	22-C-3-019	180	26-C-1-001LCVD	266
106111212	294	22-C-3-020	180	26-C-1-125	232
106120210	294	22-C-3-021	176	26-C-2-076	228
106123192	294	22-C-3-022	176	26-C-3-007	176
106125191	294	22-C-3-023	176	26-C-3-010	174
126120106	294	22-C-3-026	178	26-C-3-012	174
126120205	294	22-C-3-026	180	26-C-3-018	174
140000012	292	22-C-3-027	180	26-C-3-020	174
140000013	292	22-C-3-028	180	26-C-3-057	174
140000250	292	22-C-3-035	176	26-C-3-059	178
140003007	292	22-C-3-036	176	26-C-3-059	180
140050003	292	22-C-3-037	176	26-C-3-060	180
8.42E+11	162	22-C-3-038	176	26-C-3-068	166
00 45 23 51	278	22-C-3-049	176	26-C-3-068	170
170012234-H	302	22-C-3-067	170	26-C-3-082	176
170012234-H	304	22-C-3-092	170	26-C-3-086	176
19-B-2-011	178	22-C-3-103	178	26-C-3-087	176
19-B-3-001	200	22-C-3-103	180	26-C-3-088	166
19-B-5-007	174	22-C-3-104	178	26-C-3-088	170
19-C-3-015	220	22-C-3-104	180	26-C-3-091	166
19-C-3-015	222	22-C-3-105	180	26-C-3-091	170
19-M-3-013	200	22-C-3-106	180	26-F-1-027	232
19-M-3-035	198	22-C-3-107	178	26-M-3-021	178
21-M-7-050	98	22-C-3-107	180	26-M-3-022	166
21-M-7-050	102	22-C-3-108	178	26-M-3-022	170



PART NO.	PAGE NO.	PART NO.	PAGE NO.	PART NO.	PAGE NO.
26-M-3-022 A	296	7306956-023	106	7306956-26	106
26-M-3-022 A	298	7306956-024	106	7306956-27	106
26-M-3-045	168	7306956-024	106	7306956-33	106
26-M-3-045	172	7306956-026	106	7309724-001	274
26-M-3-053	176	7306956-027	106	7309724-002	274
26-M-3-053	178	7306956-029	106	7309724-003	274
26-M-3-053	180	7306956-03	106	7309724SK	274
26-M-3-054	176	7306956-030	106	7310019-001	148
26-M-3-055	176	7306956-031	106	7310019-002	140
26-M-3-056	176	7306956-032	106	7310019-003	140
26-M-3-057	166	7306956-033	108	7310019-004	148
26-M-3-057	170	7306956-034	106	7310019-005	136
40-C-3-015 A	170	7306956-035	106	7310019-006	132
40-M-3-021	170	7306956-036	106	7310019-007	134
41-C-1-031B	296	7306956-037	106	7310019-008	136
41-C-1-031B	298	7306956-038	106	7928165-004	262
41-M-1-008	120	7306956-04	106	7928165-004	272
42-C-1-016	166	7306956-040	106	7928165-004	274
42-C-1-016	170	7306956-040	108	7928165-005	274
44-M-3-012	174	7306956-041	108	80PS3200200	120
44-M-3-012	176	7306956-041	108	80PS3200200	182
44-M-3-012	180	7306956-042	108	819B5006000	320
47.113.15.0	196	7306956-043	108	819B5007000	320
47-C-1-012	234	7306956-044	108	819B5008000	320
47-C-2-053	204	7306956-045	108	819B5023000	322
47-M-2-009	98	7306956-046	108	822A1031000	276
47-M-2-009	102	7306956-048	108	822A1031000	278
47-M-2-024	98	7306956-049	108	822A1031000	280
47-M-2-024	102	7306956-05	106	822A1031000	282
7102358-004	274	7306956-050	108	822B2002A00	300
7102379-002	274	7306956-051	108	822B2010000	320
7303819E.008	34	7306956-052	108	822B2010000	334
7303819E.008	132	7306956-053	108	822C107600	408
7303819E.009	132	7306956-054	108	822C1222000	232
7303819E.014	132	7306956-055	108	822C1224000	232
7303819E.165	34	7306956-055	108	822C1225000	234
7303819E.323	34	7306956-057	108	822C1226000	234
7303819E.325	134	7306956-057	108	822C1227000	234
7303819E.351	34	7306956-058	108	822C1228000	234
7303819T.131	148	7306956-059	108	822C1229000	232
7304251-001	262	7306956-059	108	822C1230000	234
7304251-002	262	7306956-06	106	822C1231000	234
7304251-003	262	7306956-060	108	822C1232000	234
7306956-01	106	7306956-061	108	822C1233000	234
7306956-010	106	7306956-061	108	822C1234000	234
7306956-010	106	7306956-063	108	822C2010A00	408
7306956-012	106	7306956-065	108	822C2021A00	408
7306956-013	106	7306956-066	108	822C2032A00	312
7306956-014	106	7306956-068	108	822C2071000	322
7306956-015	106	7306956-069	108	822C2087A00	220
7306956-016	106	7306956-07	106	822C2087A00	222
7306956-017	106	7306956-070	108	822C2088000	220
7306956-018	106	7306956-071	108	822C2088000	222
7306956-019	106	7306956-073	108	822C2112000	192
7306956-02	106	7306956-075	108	822C3017000	182
7306956-020	106	7306956-076	108	822C3018A00	182
7306956-021	106	7306956-08	106	822C3090A00	408
7306956-022	106	7306956-09	106	822C3091A00	408



PART NO.	PAGE NO.	PART NO.	PAGE NO.	PART NO.	PAGE NO.
822C3108000	182	86.02.36.1	248	8M105402800	254
822C3109000	182	86.02.37.1	248	8M105402900	254
822F1087A00	186	86.02.38.1	248	8M105403000	256
822F2044A00	312	86.02.39.1	248	8M105403300	254
822M2025A00	192	86.02.40.2	248	8M105403400	254
822M3011000	182	86.02.41.1	248	8M105412800	408
822M3029000	182	86.02.42.1	248	8M105412900	408
822M3030000	182	86.02.43.0	248	8M105526000	166
822M3031000	182	86.02.44.1	248	8M105526000	170
822M3032000	182	86.02.45.1	248	8M105528000	166
826C3063000	174	86.02.46.1	248	8M105528000	166
826C3064000	174	86.02.47.1	248	8M105528000	168
826H01200-0	276	86.02.48.1	248	8M105528000	172
826H01200-0	278	86.02.49.1	248	8M105528000	172
826H01200-0	280	86.02.50.1	248	8M850985100	312
826H01200-0	282	86.02.52.0	248	8M980002060	256
826M3026000	182	86.02.53.1	248	8MBH06C2040	200
826M3064A00	296	86.02.54.1	248	8MBH08C2083	300
826M50020-0	120	86.02.55.1	248	8MBH10C2280	186
826P20140-0	238	86.02.56.1	248	8MBH12C2170	182
826P20140-0	306	86.02.57.1	248	8MBH12C2280	120
836C5038000	322	86.02.903.2	248	8MNG0601000	200
836C5039000	322	8D345731C00	324	8MNG1000100	184
841C1050000	184	8D345731C00	326	8MNH08C2000	312
841C5003C00	254	8D345731C00	330	8MNH12C2000	312
841C5004C00	254	8D345731C00	332	8MNH14C2000	312
841C5005C00	254	8D910162000	312	8MNN12C0000	182
841C5006B00	254	8D922552000	192	8MNN20C0000	120
841C5013B00	254	8F179602600	322	8MSA10C0080	184
841C5015C00	254	8F852802100	256	8MSA12C0070	312
841C5017B00	256	8F853603700	322	8MSG10C0020	184
841C5019000	254	8F853603900	322	8MSH0600000	200
841F1001K00	184	8F853604000	322	8MSH08C2070	312
841F1038A00	296	8F952803000	254	8MSH10C2050	182
841F2001L00	184	8F952803800	254	8MSH12C2070	312
841H060A000	278	8F952804000	254	8MSH14C2080	312
841H061B000	278	8F952805200	254	8MWPO600000	200
841M1017000	192	8F952812200	254	8MWPO800003	300
841M1023000	278	8G335212380	8	8MWP1000000	182
847F1017000	116	8G335212380	10	8MWP1200000	182
847HP003A00	256	8G925973820	320	8MWP1400000	312
847HP004000	256	8G925973820	334	8MWS0800000	300
847M1005000	256	8G956010010	192	8MWS0800000	312
86.02.20.1	248	8G956010010	296	8MWS1000000	182
86.02.21.1	248	8G956010010	298	8MWS1200000	312
86.02.21.1	248	8G9560100100	256	8MWS1400000	312
86.02.22.1	248	8G956010020	192	8N155406000	408
86.02.23.1	248	8G956010050	296	8N221042500	114
86.02.25.1	248	8G956010050	296	8N221042800	114
86.02.26.1	248	8G956010050	298	8N221214400	200
86.02.28.0	248	8G956010050	298	8PP10016000	300
86.02.29.1	248	8G956010070	300	8PP10023008	184
86.02.30.1	248	8G956010080	192	8PP10029000	300
86.02.31.1	248	8IBH06C2160	306	8PP100620000	238
86.02.32.1	248	8IWP0600000	306	8PP100620000	306
86.02.33.1	248	8IWS0600003	306	8PP10084000	200
86.02.34.1	248	8M105402600	254	8PP10085000	300
86.02.35.1	248	8M105402700	254	8PP10087000	306



PART NO.	PAGE NO.	PART NO.	PAGE NO.	PART NO.	PAGE NO.
8PP10164000	306	8V055113000	276	8X222202200	408
8PP10189000	256	8V055113000	278	8X2223001A00	184
8PP10241000	264	8V055113000	280	8X222400108	184
8PP10242000	264	8V055113000	282	8X222400500	184
8PP10243000	264	8V055113000	296	8X223400300	192
8PP10255000	228	8V121100810	8	8X223400300	296
8PP10264000	238	8V121100810	10	8X223400800	192
8PP10264000	306	8V121280200	214	8X2240006000	176
8PP102650000	238	8V121901300	254	8X2240006000	180
8PP102650000	306	8V121903000	254	8X224001700	174
8PP10284000	322	8V122904100	256	8X227701800	120
8PP10327000	166	8V124301900	322	8X227702800	120
8PP10327000	170	8V124301900	424	A-1-036/001	270
8PP10356000	162	8V160006300	408	A-2-035/003	266
8PP10359000	184	8V171700600	322	A-2-035/004	266
8PP10529000	254	8V175401810	296	A-2-035/005	266
8PP10532000	254	8V175401810	298	A-2-035/006	266
8PP10533000	254	8V181701500	408	A-2-035/007	266
8PP10534000	254	8V181701600	408	A-2-035/008	266
8PP10562000	162	8V184500600	312	A-2-035/009	266
8PP10609000	182	8V184500700	312	A-2-035/010	266
8PP10750000	192	8V184500800	312	B1.10.14.8G	250
8PP10786000	320	8V184503000	312	B1.12X1.5-28-8G	248
8PP10786000	334	8V1916007000	220	B1.14X1.75-38-8G	248
8PP10795000	114	8V1916007000	222	BC418	262
8PP10796000	254	8V1925801000	250	C19-C-3-015	216
8PP10811000	254	8V1925802000	250	C19-C-3-015	218
8PP10839000	306	8V192607300	116	C22-C-1-169	224
8PP10886000	320	8V193280210	312	C22-C-2-135	224
8PP10886000	334	8V194306800	408	C22-M-1-017	224
8PP10887000	320	8V194306900	408	C26-C-1-193	224
8PP10887000	334	8V194310300	320	C26-C-1-196	224
8PP10933000	322	8V194400210	408	C26-M-1-018	224
8PP11094000	256	8V194510920	312	C28-C-1-053	224
8PP11279000	232	8V194515300	312	C38C102000	426
8PP11432000	232	8V194801700	256	C7201005	404
8PP11530000	320	8V194801900	256	C7206463	236
8PP11530000	334	8V194901300	254	C7206624	252
8PP11558000	296	8V194901400	256	C7206624	254
8PP11632000	192	8V194902400	256	C7206625	252
8PP11633000	192	8V194902500	254	C7206625	254
8PP11745000	238	8V194902800	254	C7300687	336
8PP11745000	306	8V194904500	254	C7300687	374
8PP11901000	182	8V194904500	320	C7300687	376
8PP11902000	182	8V194904500	334	C7300687	394
8PP11902000	200	8V194904710	256	C7300687	396
8Q020172280	166	8V194980700	256	C7300688	336
8Q020172280	170	8V227702100	120	C7300688	374
8T010102210	192	8X00A103600	268	C7300688	376
8T011004850	166	8X00C1064A0	408	C7300688	394
8T011004850	170	8X00C1111B0	408	C7300688	396
8T011804850	182	8X00M3010C0	184	C7300689	336
8T050300090	192	8X00M3014B0	184	C7300689	374
8T111703700	322	8X00M3025A0	184	C7300689	376
8T540000170	296	8X00M3025C0	184	C7300689	394
8T540000170	298	8X221401600	174	C7300689	396
8V051715000	322	8X222201300	408	C7300690	336
8V054790100	192	8X222201900	408	C7300690	374



PART NO.	PAGE NO.	PART NO.	PAGE NO.	PART NO.	PAGE NO.
C7300690	376	C7301680	98	C7302905	218
C7300690	394	C7301680	102	C7302925	224
C7300690	396	C7301681	100	C7302938	236
C7300746	98	C7301681	104	C7303081	354
C7300746	102	C7301788	224	C7303081	364
C7300750	98	C7301816	98	C7303081	366
C7300750	102	C7301816	102	C7303081	370
C7301139	98	C7301824	100	C7303081	378
C7301139	102	C7301824	104	C7303081	384
C7301140	98	C7301825	216	C7303081	392
C7301140	102	C7301825	218	C7303081	398
C7301143	98	C7301827	364	C7303298	210
C7301143	102	C7301827	378	C7303322	190
C7301144	98	C7301833	98	C7303529_A	182
C7301144	102	C7301833	102	C7303672	194
C7301145	98	C7301841	216	C7303673	194
C7301145	102	C7301841	218	C7303674	194
C7301146	98	C7302103	400	C7303675	216
C7301146	102	C7302103	400	C7303675	218
C7301147	98	C7302103	400	C7303677	216
C7301147	102	C7302108	212	C7303677	218
C7301148	98	C7302177	194	C7303690	118
C7301148	102	C7302214	252	C7303691	118
C7301154	100	C7302214	254	C7303692	216
C7301154	104	C7302267	336	C7303692	218
C7301155	98	C7302267	374	C7303693	216
C7301155	102	C7302267	376	C7303693	218
C7301158	98	C7302267	394	C7303694	216
C7301158	102	C7302267	396	C7303694	218
C7301161	98	C7302269	336	C7303695	216
C7301161	102	C7302269	374	C7303695	218
C7301163	100	C7302269	376	C7303696	216
C7301163	104	C7302269	394	C7303696	218
C7301164	100	C7302269	396	C7303700.001	128
C7301164	104	C7302270	336	C7303700.002	124
C7301165	100	C7302270	374	C7303700.003	124
C7301165	104	C7302270	376	C7303700.004	124
C7301480	336	C7302270	394	C7303700.005	124
C7301480	374	C7302270	396	C7303700.006	124
C7301480	376	C7302349	354	C7303700.007	128
C7301480	394	C7302349	364	C7303700.008	122
C7301480	396	C7302349	366	C7303700.009	128
C7301658	98	C7302349	370	C7303700.010	128
C7301658	102	C7302349	378	C7303700.011	128
C7301659	98	C7302349	384	C7303700.012	128
C7301659	102	C7302349	392	C7303700.013	128
C7301660	100	C7302349	398	C7303700.015	122
C7301660	104	C7302377	216	C7303700.016	124
C7301661	100	C7302377	218	C7303700.017	124
C7301661	104	C7302431	204	C7303700.018	124
C7301671	100	C7302432	204	C7303700.019	124
C7301671	104	C7302497	194	C7303700.020	124
C7301673	100	C7302693	256	C7303700.021	124
C7301673	104	C7302712	224	C7303700.022	124
C7301677	98	C7302723	224	C7303700.023	126
C7301677	102	C7302903	216	C7303700.024	124
C7301678	100	C7302903	218	C7303700.025	124
C7301678	104	C7302905	216	C7303700.026	124



PART NO.	PAGE NO.	PART NO.	PAGE NO.	PART NO.	PAGE NO.
C7303700.027	124	C7303700.075	246	C7303819E.004	62
C7303700.028	124	C7303700.076	246	C7303819E.005	28
C7303700.029	124	C7303700.077	124	C7303819E.006	28
C7303700.030	124	C7303700.078	124	C7303819E.007	52
C7303700.031	124	C7303700.079	124	C7303819E.007	78
C7303700.032	124	C7303700.080	128	C7303819E.008	36
C7303700.033	124	C7303700.081	128	C7303819E.008	82
C7303700.034	124	C7303700.082	242	C7303819E.009	32
C7303700.035	124	C7303700.083	242	C7303819E.010	32
C7303700.036	124	C7303700.084	242	C7303819E.011	32
C7303700.037	128	C7303700.085	242	C7303819E.012	28
C7303700.038	128	C7303700.086	242	C7303819E.013	28
C7303700.039	128	C7303700.087	242	C7303819E.014	12
C7303700.040	128	C7303700.087	242	C7303819E.015	38
C7303700.041	126	C7303700.088	242	C7303819E.016	32
C7303700.042	242	C7303700.089	242	C7303819E.018	16
C7303700.043	242	C7303700.089	242	C7303819E.019	74
C7303700.044	124	C7303700.089	242	C7303819E.020	16
C7303700.045	242	C7303700.090	242	C7303819E.021	16
C7303700.046	124	C7303700.090	242	C7303819E.022	16
C7303700.047	128	C7303700.091	242	C7303819E.023	16
C7303700.048	242	C7303700.092	242	C7303819E.024	16
C7303700.048	242	C7303700.093	242	C7303819E.025	22
C7303700.049	242	C7303700.094	242	C7303819E.026	22
C7303700.049	242	C7303700.095	242	C7303819E.027	22
C7303700.050	242	C7303700.096	242	C7303819E.028	22
C7303700.050	242	C7303700.097	242	C7303819E.029	22
C7303700.051	242	C7303700.097	242	C7303819E.030	22
C7303700.051	242	C7303700.098	126	C7303819E.031	16
C7303700.052	242	C7303700.099	122	C7303819E.032	16
C7303700.052	242	C7303700.100	124	C7303819E.033	16
C7303700.053	242	C7303700.100	128	C7303819E.034	16
C7303700.054	242	C7303700.101	128	C7303819E.035	16
C7303700.055	242	C7303700.102	124	C7303819E.035	18
C7303700.055	244	C7303700.103	246	C7303819E.036	48
C7303700.056	242	C7303700.104	128	C7303819E.037	48
C7303700.057	242	C7303700.105	128	C7303819E.038	48
C7303700.057	242	C7303700.106	124	C7303819E.039	48
C7303700.057	242	C7303700.107	82	C7303819E.040	48
C7303700.058	242	C7303700.107	126	C7303819E.041	48
C7303700.058	244	C7303700.108	124	C7303819E.042	48
C7303700.059	128	C7303700.109	122	C7303819E.043	48
C7303700.060	124	C7303700.109	124	C7303819E.044	48
C7303700.061	128	C7303701	112	C7303819E.045	64
C7303700.062	246	C7303757	212	C7303819E.046	46
C7303700.063	82	C7303780	414	C7303819E.047	46
C7303700.063	126	C7303780	416	C7303819E.048	46
C7303700.064	246	C7303794	236	C7303819E.049	46
C7303700.065	124	C7303812	196	C7303819E.050	46
C7303700.066	124	C7303813	196	C7303819E.051	46
C7303700.067	124	C7303814	196	C7303819E.052	46
C7303700.068	124	C7303815	196	C7303819E.053	46
C7303700.069	242	C7303817	196	C7303819E.054	46
C7303700.070	242	C7303819	4	C7303819E.055	46
C7303700.071	242	C7303819E	6	C7303819E.056	46
C7303700.072	124	C7303819E.001	46	C7303819E.057	36
C7303700.073	128	C7303819E.002	32	C7303819E.057	46
C7303700.074	124	C7303819E.003	32	C7303819E.058	32



PART NO.	PAGE NO.	PART NO.	PAGE NO.	PART NO.	PAGE NO.
C7303819E.059	20	C7303819E.118	22	C7303819E.172	32
C7303819E.060	46	C7303819E.119	14	C7303819E.173	32
C7303819E.061	70	C7303819E.120	40	C7303819E.174	32
C7303819E.062	16	C7303819E.120	70	C7303819E.175	32
C7303819E.062	18	C7303819E.120	72	C7303819E.175	52
C7303819E.063	14	C7303819E.121	68	C7303819E.176	62
C7303819E.064	24	C7303819E.122	12	C7303819E.177	26
C7303819E.065	74	C7303819E.123	22	C7303819E.177	26
C7303819E.066	14	C7303819E.124	14	C7303819E.178	70
C7303819E.067	18	C7303819E.124	40	C7303819E.179	64
C7303819E.068	24	C7303819E.125	36	C7303819E.180	32
C7303819E.069	26	C7303819E.125	68	C7303819E.181	32
C7303819E.070	46	C7303819E.126	54	C7303819E.182	32
C7303819E.071	16	C7303819E.128	54	C7303819E.183	32
C7303819E.072	16	C7303819E.129	32	C7303819E.184	32
C7303819E.073	22	C7303819E.130	74	C7303819E.185	62
C7303819E.075	56	C7303819E.131	28	C7303819E.186	32
C7303819E.076	32	C7303819E.131	50	C7303819E.187	32
C7303819E.077	64	C7303819E.132	28	C7303819E.188	32
C7303819E.078	32	C7303819E.133	68	C7303819E.189	62
C7303819E.079	32	C7303819E.134	56	C7303819E.190	70
C7303819E.080	64	C7303819E.136	56	C7303819E.191	62
C7303819E.081	14	C7303819E.137	58	C7303819E.192	62
C7303819E.082	24	C7303819E.138	64	C7303819E.193	62
C7303819E.083	24	C7303819E.139	32	C7303819E.194	62
C7303819E.084	24	C7303819E.140	22	C7303819E.195	22
C7303819E.085	24	C7303819E.141	32	C7303819E.196	38
C7303819E.086	24	C7303819E.142	56	C7303819E.197	62
C7303819E.087	24	C7303819E.143	22	C7303819E.198	70
C7303819E.088	16	C7303819E.144	32	C7303819E.199	36
C7303819E.089	14	C7303819E.144	62	C7303819E.200	28
C7303819E.090	30	C7303819E.145	74	C7303819E.201	52
C7303819E.091	14	C7303819E.146	74	C7303819E.202	52
C7303819E.092	24	C7303819E.147	58	C7303819E.203	62
C7303819E.093	28	C7303819E.148	58	C7303819E.204	54
C7303819E.094	26	C7303819E.149	58	C7303819E.205	54
C7303819E.096	26	C7303819E.150	58	C7303819E.206	54
C7303819E.097	46	C7303819E.151	58	C7303819E.207	54
C7303819E.098	46	C7303819E.152	58	C7303819E.208	52
C7303819E.099	28	C7303819E.153	58	C7303819E.209	52
C7303819E.100	26	C7303819E.154	58	C7303819E.210	54
C7303819E.100	26	C7303819E.155	32	C7303819E.210	54
C7303819E.101	46	C7303819E.156	68	C7303819E.211	64
C7303819E.102	48	C7303819E.157	38	C7303819E.212	28
C7303819E.103	46	C7303819E.158	54	C7303819E.213	28
C7303819E.104	46	C7303819E.160	74	C7303819E.214	28
C7303819E.105	48	C7303819E.161	74	C7303819E.215	70
C7303819E.106	26	C7303819E.162	54	C7303819E.216	62
C7303819E.107	52	C7303819E.163	22	C7303819E.217	62
C7303819E.108	68	C7303819E.164	32	C7303819E.218	62
C7303819E.108	72	C7303819E.164	42	C7303819E.219	62
C7303819E.111	64	C7303819E.166	38	C7303819E.220	62
C7303819E.112	14	C7303819E.167	26	C7303819E.221	62
C7303819E.113	14	C7303819E.167	26	C7303819E.222	62
C7303819E.114	38	C7303819E.168	26	C7303819E.223	62
C7303819E.115	22	C7303819E.169	74	C7303819E.224	62
C7303819E.116	70	C7303819E.170	46	C7303819E.225	62
C7303819E.117	48	C7303819E.171	32	C7303819E.226	62



PART NO.	PAGE NO.	PART NO.	PAGE NO.	PART NO.	PAGE NO.
C7303819E.227	62	C7303819E.277	66	C7303819E.323	70
C7303819E.228	66	C7303819E.278	24	C7303819E.323	72
C7303819E.229	30	C7303819E.279	26	C7303819E.323	92
C7303819E.230	38	C7303819E.280	68	C7303819E.323	94
C7303819E.231	70	C7303819E.281	16	C7303819E.324	16
C7303819E.232	74	C7303819E.281	18	C7303819E.325	32
C7303819E.233	74	C7303819E.282	24	C7303819E.325	62
C7303819E.234	74	C7303819E.283	70	C7303819E.326	26
C7303819E.235	74	C7303819E.284	50	C7303819E.327	52
C7303819E.236	74	C7303819E.285	50	C7303819E.328	26
C7303819E.237	74	C7303819E.286	50	C7303819E.328	52
C7303819E.238	36	C7303819E.287	50	C7303819E.328	64
C7303819E.238	74	C7303819E.288	50	C7303819E.328	78
C7303819E.239	74	C7303819E.289	50	C7303819E.329	92
C7303819E.240	32	C7303819E.290	50	C7303819E.330	26
C7303819E.241	32	C7303819E.291	20	C7303819E.331	62
C7303819E.242	40	C7303819E.292	20	C7303819E.332	46
C7303819E.242	62	C7303819E.293	64	C7303819E.333	36
C7303819E.243	30	C7303819E.294	64	C7303819E.334	62
C7303819E.244	62	C7303819E.295	38	C7303819E.335	62
C7303819E.245	74	C7303819E.296	54	C7303819E.335	62
C7303819E.246	74	C7303819E.297	60	C7303819E.336	62
C7303819E.247	62	C7303819E.298	60	C7303819E.338	38
C7303819E.248	16	C7303819E.298	60	C7303819E.339	38
C7303819E.248	18	C7303819E.299	24	C7303819E.340	62
C7303819E.249	12	C7303819E.300	22	C7303819E.340	62
C7303819E.250	20	C7303819E.301	24	C7303819E.341	52
C7303819E.251	52	C7303819E.302	24	C7303819E.342	24
C7303819E.252	14	C7303819E.303	16	C7303819E.342	32
C7303819E.253	24	C7303819E.303	18	C7303819E.342	52
C7303819E.254	24	C7303819E.304	16	C7303819E.343	54
C7303819E.255	24	C7303819E.305	14	C7303819E.344	72
C7303819E.256	24	C7303819E.306	14	C7303819E.344	74
C7303819E.257	24	C7303819E.307	60	C7303819E.345	36
C7303819E.258	12	C7303819E.308	60	C7303819E.345	62
C7303819E.259	12	C7303819E.309	60	C7303819E.345	246
C7303819E.260	12	C7303819E.310	60	C7303819E.346	30
C7303819E.261	24	C7303819E.311	60	C7303819E.346	36
C7303819E.263	16	C7303819E.312	24	C7303819E.346	62
C7303819E.263	18	C7303819E.313	50	C7303819E.347	52
C7303819E.264	16	C7303819E.314	60	C7303819E.348	32
C7303819E.264	18	C7303819E.315	12	C7303819E.348	62
C7303819E.265	16	C7303819E.316	32	C7303819E.349	30
C7303819E.266	16	C7303819E.317	32	C7303819E.350	36
C7303819E.266	18	C7303819E.318	38	C7303819E.351	82
C7303819E.267	16	C7303819E.319	54	C7303819E.352	62
C7303819E.267	18	C7303819E.320	28	C7303819E.353	26
C7303819E.268	16	C7303819E.320	74	C7303819E.354	16
C7303819E.269	26	C7303819E.321	24	C7303819E.354	26
C7303819E.269	28	C7303819E.322	16	C7303819E.354	28
C7303819E.270	26	C7303819E.322	24	C7303819E.355	62
C7303819E.271	26	C7303819E.322	40	C7303819E.356	26
C7303819E.272	12	C7303819E.322	46	C7303819E.357	38
C7303819E.273	22	C7303819E.322	74	C7303819E.357	74
C7303819E.274	22	C7303819E.323	46	C7303819E.358	20
C7303819E.275	22	C7303819E.323	50	C7303819E.359	54
C7303819E.276	26	C7303819E.323	62	C7303819E.360	50
C7303819E.277	50	C7303819E.323	66	C7303819E.361	52



PART NO.	PAGE NO.	PART NO.	PAGE NO.	PART NO.	PAGE NO.
C7303819E.362	32	C7303819E.407	26	C7303819E.447	44
C7303819E.362	62	C7303819E.407	32	C7303819E.448	44
C7303819E.363	62	C7303819E.407	32	C7303819E.449	44
C7303819E.364	16	C7303819E.407	64	C7303819E.450	44
C7303819E.366	32	C7303819E.407	92	C7303819E.451	42
C7303819E.367	46	C7303819E.408	56	C7303819E.452	40
C7303819E.368	16	C7303819E.408	60	C7303819E.453	40
C7303819E.368	32	C7303819E.409	16	C7303819E.454	72
C7303819E.368	38	C7303819E.410	32	C7303819E.455	40
C7303819E.369	70	C7303819E.410	38	C7303819E.456	56
C7303819E.369	74	C7303819E.411	16	C7303819E.457	40
C7303819E.370	46	C7303819E.412	16	C7303819E.458	40
C7303819E.371	16	C7303819E.412	18	C7303819E.459	50
C7303819E.372	16	C7303819E.413	20	C7303819E.460	72
C7303819E.373	46	C7303819E.414	74	C7303819E.461	72
C7303819E.374	24	C7303819E.415	22	C7303819E.462	72
C7303819E.375	16	C7303819E.415	24	C7303819E.463	40
C7303819E.375	18	C7303819E.416	56	C7303819E.464	28
C7303819E.376	28	C7303819E.417	38	C7303819T	84
C7303819E.377	68	C7303819E.418	56	C7303819T.001	88
C7303819E.378	54	C7303819E.419	32	C7303819T.002	88
C7303819E.379	74	C7303819E.419	38	C7303819T.003	92
C7303819E.379	86	C7303819E.419	40	C7303819T.004	86
C7303819E.379	90	C7303819E.420	14	C7303819T.005	86
C7303819E.380	28	C7303819E.420	16	C7303819T.006	82
C7303819E.380	86	C7303819E.420	18	C7303819T.007	88
C7303819E.381	64	C7303819E.421	14	C7303819T.008	88
C7303819E.382	50	C7303819E.421	16	C7303819T.009	88
C7303819E.382	62	C7303819E.421	18	C7303819T.010	88
C7303819E.382	64	C7303819E.421	26	C7303819T.011	88
C7303819E.382	82	C7303819E.422	14	C7303819T.012	88
C7303819E.382	94	C7303819E.423	14	C7303819T.013	90
C7303819E.383	36	C7303819E.423	16	C7303819T.014	88
C7303819E.384	62	C7303819E.423	18	C7303819T.015	90
C7303819E.385	54	C7303819E.424	16	C7303819T.016	90
C7303819E.386	32	C7303819E.424	18	C7303819T.017	88
C7303819E.387	32	C7303819E.425	16	C7303819T.018	82
C7303819E.388	24	C7303819E.425	18	C7303819T.019	82
C7303819E.389	36	C7303819E.426	40	C7303819T.020	90
C7303819E.390	26	C7303819E.427	72	C7303819T.021	88
C7303819E.390	26	C7303819E.428	40	C7303819T.022	88
C7303819E.391	28	C7303819E.430	72	C7303819T.023	88
C7303819E.392	22	C7303819E.431	40	C7303819T.024	88
C7303819E.393	68	C7303819E.432	50	C7303819T.025	90
C7303819E.394	46	C7303819E.433	40	C7303819T.026	88
C7303819E.396	54	C7303819E.434	40	C7303819T.027	86
C7303819E.397	54	C7303819E.435	40	C7303819T.028	82
C7303819E.398	16	C7303819E.436	40	C7303819T.029	82
C7303819E.399	24	C7303819E.437	40	C7303819T.030	82
C7303819E.400	16	C7303819E.438	72	C7303819T.031	88
C7303819E.401	12	C7303819E.439	72	C7303819T.032	88
C7303819E.402	46	C7303819E.440	40	C7303819T.033	82
C7303819E.402	50	C7303819E.441	40	C7303819T.034	86
C7303819E.403	50	C7303819E.442	42	C7303819T.034	92
C7303819E.404	50	C7303819E.443	42	C7303819T.035	92
C7303819E.405	60	C7303819E.444	42	C7303819T.036	82
C7303819E.406	56	C7303819E.445	42	C7303819T.037	86
C7303819E.406	60	C7303819E.446	44	C7303819T.038	90



PART NO.	PAGE NO.	PART NO.	PAGE NO.	PART NO.	PAGE NO.
C7303819T.039	88	C7303819T.092	82	C7304010	378
C7303819T.040	88	C7303819T.093	94	C7304010	384
C7303819T.040	88	C7303819T.094	88	C7304010	392
C7303819T.041	88	C7303819T.095	90	C7304010	398
C7303819T.041	88	C7303819T.096	94	C7304011	354
C7303819T.042	88	C7303819T.097	94	C7304011	364
C7303819T.043	88	C7303819T.098	94	C7304011	366
C7303819T.044	88	C7303819T.099	92	C7304011	370
C7303819T.045	90	C7303819T.100	92	C7304011	378
C7303819T.046	88	C7303819T.101	92	C7304011	384
C7303819T.047	88	C7303819T.102	92	C7304011	392
C7303819T.048	88	C7303819T.103	92	C7304011	398
C7303819T.049	88	C7303819T.104	92	C7304012	318
C7303819T.050	88	C7303819T.105	82	C7304012	324
C7303819T.051	88	C7303819T.106	92	C7304012	326
C7303819T.052	90	C7303819T.107	88	C7304012	328
C7303819T.053	90	C7303819T.108	90	C7304012	330
C7303819T.054	86	C7303819T.109	88	C7304012	332
C7303819T.055	80	C7303819T.110	88	C7304012	338
C7303819T.056	80	C7303819T.111	90	C7304012	340
C7303819T.057	80	C7303819T.112	90	C7304012	342
C7303819T.058	80	C7303819T.113	92	C7304012	344
C7303819T.059	80	C7303819T.114	88	C7304012	346
C7303819T.060	80	C7303819T.115	86	C7304012	348
C7303819T.061	80	C7303819T.116	90	C7304012	350
C7303819T.062	80	C7303819T.117	82	C7304012	352
C7303819T.063	90	C7303819T.118	82	C7304012	356
C7303819T.064	90	C7303819T.119	92	C7304012	358
C7303819T.065	88	C7303819T.120	82	C7304012	360
C7303819T.066	88	C7303819T.121	94	C7304012	362
C7303819T.067	88	C7303819T.122	92	C7304012	368
C7303819T.068	88	C7303819T.123	94	C7304012	372
C7303819T.069	88	C7303819T.124	92	C7304012	380
C7303819T.070	88	C7303819T.125	86	C7304012	382
C7303819T.071	86	C7303819T.126	92	C7304012	386
C7303819T.072	88	C7303819T.127	92	C7304012	388
C7303819T.073	94	C7303819T.128	90	C7304012	390
C7303819T.074	94	C7303819T.129	92	C7304013	318
C7303819T.075	94	C7303819T.130	86	C7304013	324
C7303819T.076	94	C7303819T.131	40	C7304013	326
C7303819T.077	94	C7303819T.131	82	C7304013	328
C7303819T.078	94	C7303819T.132	94	C7304013	330
C7303819T.079	94	C7303819T.133	86	C7304013	332
C7303819T.080	94	C7303819T.134	88	C7304013	338
C7303819T.081	94	C7303819T.135	94	C7304013	340
C7303819T.082	92	C7303819T.136	86	C7304013	342
C7303819T.082	94	C7303819T.137	86	C7304013	344
C7303819T.083	94	C7303819T.138	86	C7304013	346
C7303819T.084	78	C7303819T.139	82	C7304013	348
C7303819T.085	78	C7303819T.140	86	C7304013	350
C7303819T.085	80	C7303972	196	C7304013	352
C7303819T.086	90	C7303973	196	C7304013	356
C7303819T.087	90	C7303995	224	C7304013	358
C7303819T.088	90	C7304000	224	C7304013	360
C7303819T.089	94	C7304010	354	C7304013	362
C7303819T.089	94	C7304010	364	C7304013	368
C7303819T.090	88	C7304010	366	C7304013	372
C7303819T.091	92	C7304010	370	C7304013	380



PART NO.	PAGE NO.	PART NO.	PAGE NO.	PART NO.	PAGE NO.
C7304013	382	C7305760	98	C7306808	330
C7304013	386	C7305760	102	C7306808	332
C7304013	388	C7305761	100	C7306808	338
C7304013	390	C7305761	104	C7306808	340
C7304041	224	C7305762	96	C7306808	342
C7304044	354	C7305764	252	C7306808	344
C7304044	364	C7305787	264	C7306958	354
C7304044	366	C7305791	98	C7306958	364
C7304044	370	C7305791	102	C7306958	366
C7304044	378	C7305792	98	C7306958	370
C7304044	384	C7305792	102	C7306958	378
C7304044	392	C7305793	98	C7306958	384
C7304044	398	C7305793	102	C7306962	164
C7304130	422	C7305794	98	C7306977	354
C7304132	422	C7305794	102	C7306977	366
C7304140	188	C7305795	98	C7306977	370
C7304157	204	C7305795	102	C7306977	384
C7304158	204	C7305800	100	C7306977	392
C7304171	158	C7305800	104	C7306977	398
C7304172	158	C7305801	100	C7306995	154
C7304206	216	C7305801	104	C7306997	156
C7304206	218	C7305802	100	C7306999	156
C7304221	194	C7305802	104	C7307019	100
C7304228	188	C7305803	100	C7307023	156
C7304228	400	C7305803	104	C7307055	202
C7304307	226	C7305804	98	C7307074	96
C7304334	110	C7305804	102	C7307077	322
C7304609	414	C7305818	422	C7308005	164
C7304609	416	C7305829	414	C7308010	164
C7304714	226	C7305829	416	C7308013	164
C7304715	226	C7305833	414	C7308025	154
C7304835	154	C7305833	416	C7308065	226
C7304836	154	C7305842	98	C7308082	232
C7305222	438	C7305842	102	C7308090	408
C7305222	440	C7305862	412	C7308091	318
C7305222	442	C7305898	232	C7308091	328
C7305365	414	C7305899	154	C7308091	338
C7305365	416	C7305900	232	C7308091	340
C7305366	414	C7305907	232	C7308091	346
C7305366	416	C7305910	426	C7308091	348
C7305369	414	C7305911	426	C7308094	324
C7305370	414	C7305969	100	C7308094	326
C7305381	416	C7305969	104	C7308094	330
C7305382	416	C7305970	100	C7308094	332
C7305525	178	C7305970	104	C7308094	342
C7305646	98	C7306502	232	C7308094	344
C7305646	102	C7306807	324	C7308095	220
C7305652	98	C7306807	326	C7308095	222
C7305652	102	C7306807	330	C7308111	230
C7305662	112	C7306807	332	C7308165	354
C7305671	206	C7306807	342	C7308165	366
C7305704	96	C7306807	344	C7308165	370
C7305757	98	C7306807	350	C7308165	384
C7305757	102	C7306807	352	C7308187	408
C7305758	98	C7306808	318	C7308188	408
C7305758	102	C7306808	324	C7308194	408
C7305759	98	C7306808	326	C7308259	408
C7305759	102	C7306808	328	C7308260	408



PART NO.	PAGE NO.	PART NO.	PAGE NO.	PART NO.	PAGE NO.
C7308261	408	C7310940	396	C7312556	430
C7308286	334	C7311308	374	C7312557	430
C7308286	336	C7311308	376	C7312559	430
C7308286	374	C7311308	394	C7312560	430
C7308286	376	C7311308	396	C7312561	430
C7308286	394	C7311397	234	C7312648	430
C7308286	396	C7311515	154	C7312794	370
C7308923	224	C7311515	154	C7312794	392
C7308923	226	C7311809	298	C7312795	378
C7308925	196	C7311905	346	C7312800	372
C7309070	220	C7311905	348	C7312800	386
C7309070	222	C7311905	350	C7312800	388
C7309071	220	C7311905	352	C7312801	380
C7309071	222	C7311907	350	C7312801	382
C7309429	438	C7311907	352	C7312953	384
C7309429	440	C7311907	360	C7312953	398
C7309429	442	C7311907	362	C7313441	430
C7309430	438	C7311907	380	C7313651	390
C7309430	440	C7311907	382	C7313673	390
C7309430	442	C7311907	386	C7313685	390
C7309502	394	C7311907	388	C7313708	390
C7309502	396	C7311926	354	C7400307	408
C7309974	392	C7311926	364	C7601693	188
C7309974	398	C7311926	366	C7603485	438
C7310019	118	C7311926	370	C7603485	440
C7310032	422	C7311926	378	C7603485	442
C7310034	438	C7311926	384	C7603486	438
C7310034	440	C7311926	392	C7603486	440
C7310034	442	C7311926	398	C7603486	442
C7310035	422	C7311983	356	C7603487	438
C7310075	238	C7311983	358	C7603487	440
C7310350	438	C7311983	368	C7603487	442
C7310350	440	C7312048	356	C7603548	438
C7310350	442	C7312048	358	C7603548	440
C7310366	438	C7312048	360	C7603548	442
C7310366	440	C7312048	362	C7603550	438
C7310366	442	C7312048	368	C7603550	440
C7310427	438	C7312048	372	C7603550	442
C7310427	440	C7312048	380	C7603552	438
C7310427	442	C7312048	382	C7603552	440
C7310449	422	C7312048	386	C7603552	442
C7310651	192	C7312048	388	C7603619	438
C7310923	8	C7312049	354	C7603619	440
C7310923	10	C7312049	366	C7603619	442
C7310937	336	C7312068	360	C7605545	374
C7310937	374	C7312068	362	C7605545	376
C7310937	376	C7312070	364	C7605545	394
C7310937	394	C7312226	230	C7605545	396
C7310937	396	C7312295	252	C7605546	374
C7310939	336	C7312295	254	C7605546	376
C7310939	374	C7312320	154	C7605546	394
C7310939	376	C7312321	154	C7605546	396
C7310939	394	C7312343	232	C80PS1600300	224
C7310939	396	C7312550	430	C819B4001000	404
C7310940	336	C7312551	430	C819B4002000	404
C7310940	374	C7312553	430	C819B4003000	404
C7310940	376	C7312554	430	C819B4004000	404
C7310940	394	C7312555	430	C819B4005000	404



PART NO.	PAGE NO.	PART NO.	PAGE NO.	PART NO.	PAGE NO.
C819B4014000	404	C822C2104A00	330	C836A5002B00	344
C819B4015000	404	C822C2104A00	332	C836A5002B00	346
C819B4016000	404	C822C2104A00	338	C836A5002B00	348
C819B4017000	404	C822C2104A00	340	C836A5002B00	350
C819B4018000	404	C822C2104A00	342	C836A5002B00	352
C819B5023000	354	C822C2104A00	344	C836A5002B00	356
C819B5023000	364	C822C2104A00	346	C836A5002B00	358
C819B5023000	366	C822C2104A00	348	C836A5002B00	360
C819B5023000	370	C822C2104A00	350	C836A5002B00	362
C819B5023000	378	C822C2104A00	352	C836A5002B00	368
C819B5023000	384	C822C2104A00	356	C836A5002B00	372
C819B5023000	392	C822C2104A00	358	C836A5002B00	380
C819B5023000	398	C822C2104A00	360	C836A5002B00	382
C819M3046000	208	C822C2104A00	362	C836A5002B00	386
C822B2010000	336	C822C2104A00	368	C836A5002B00	388
C822B2010000	374	C822C2104A00	372	C836B5001000	364
C822B2010000	376	C822C2104A00	380	C836B5001000	366
C822B2010000	394	C822C2104A00	382	C836B5001000	370
C822B2010000	396	C822C2104A00	386	C836B5001000	378
C822C1071A00	202	C822C2104A00	388	C836B5001000	384
C822C1131B00	226	C822C2104A00	390	C836B5001000	392
C822C1146A00	226	C822C2112000	188	C836B5001000	398
C822C1175000	206	C822C2112000	190	C836C1007000	338
C822C2032A00	236	C822C3033E00	198	C836C1007000	340
C822C2063B00	188	C822C3108000	198	C836C1007000	342
C822C2087A00	216	C822C3109000	198	C836C1007000	344
C822C2087A00	218	C822C7010A00	318	C836C1007000	346
C822C2088000	216	C822C7010A00	324	C836C1007000	348
C822C2088000	218	C822C7010A00	326	C836C1007000	350
C822C2103A00	318	C822C7010A00	328	C836C1007000	352
C822C2103A00	324	C822C7010A00	330	C836C1007000	356
C822C2103A00	326	C822C7010A00	332	C836C1007000	358
C822C2103A00	328	C822F1056B0	412	C836C1007000	360
C822C2103A00	330	C822F105700	412	C836C1007000	362
C822C2103A00	332	C822F2031A00	212	C836C1007000	368
C822C2103A00	338	C822F2044A00	236	C836C1007000	372
C822C2103A00	340	C822F2045000	212	C836C1007000	380
C822C2103A00	342	C822M2025A00	188	C836C1007000	382
C822C2103A00	344	C822M2025A00	190	C836C1007000	386
C822C2103A00	346	C822M3010B00	198	C836C1007000	388
C822C2103A00	348	C822M3035000	198	C836C1007000	390
C822C2103A00	350	C822M3036000	198	C836C5038000	354
C822C2103A00	352	C822M3037000	198	C836C5038000	364
C822C2103A00	356	C822P0577000	202	C836C5038000	366
C822C2103A00	358	C822P0578000	202	C836C5038000	370
C822C2103A00	360	C822P1215000	260	C836C5038000	378
C822C2103A00	362	C824M2034000	208	C836C5038000	384
C822C2103A00	368	C826C1075000	226	C836C5038000	392
C822C2103A00	372	C826M3026A00	198	C836C5038000	398
C822C2103A00	380	C836A5002B00	318	C836C5039000	354
C822C2103A00	382	C836A5002B00	324	C836C5039000	364
C822C2103A00	386	C836A5002B00	326	C836C5039000	366
C822C2103A00	388	C836A5002B00	328	C836C5039000	370
C822C2103A00	390	C836A5002B00	330	C836C5039000	378
C822C2104A00	318	C836A5002B00	332	C836C5039000	384
C822C2104A00	324	C836A5002B00	338	C836C5039000	392
C822C2104A00	326	C836A5002B00	340	C836C5039000	398
C822C2104A00	328	C836A5002B00	342	C841A1011C00	318



PART NO.	PAGE NO.	PART NO.	PAGE NO.	PART NO.	PAGE NO.
C841A1011C00	324	C841F1017A00	324	C8F004716400	388
C841A1011C00	326	C841F1017A00	326	C8F004716400	390
C841A1011C00	328	C841F1017A00	328	C8F004731100	318
C841A1011C00	330	C841F1017A00	330	C8F004731100	324
C841A1011C00	332	C841F1017A00	332	C8F004731100	326
C841A1011C00	338	C841F1017A00	338	C8F004731100	328
C841A1011C00	340	C841F1017A00	340	C8F004731100	330
C841A1011C00	342	C841F1017A00	342	C8F004731100	332
C841A1011C00	344	C841F1017A00	344	C8F004731100	338
C841A1011C00	346	C841F1017A00	346	C8F004731100	340
C841A1011C00	348	C841F1017A00	348	C8F004731100	342
C841A1011C00	350	C841F1017A00	350	C8F004731100	344
C841A1011C00	352	C841F1017A00	352	C8F004731100	346
C841A1011C00	356	C841F1017A00	356	C8F004731100	348
C841A1011C00	358	C841F1017A00	358	C8F004731100	350
C841A1011C00	360	C841F1017A00	360	C8F004731100	352
C841A1011C00	362	C841F1017A00	362	C8F004731100	356
C841A1011C00	368	C841F1017A00	368	C8F004731100	358
C841A1011C00	372	C841F1017A00	372	C8F004731100	360
C841A1011C00	380	C841F1017A00	380	C8F004731100	362
C841A1011C00	382	C841F1017A00	382	C8F004731100	368
C841A1011C00	386	C841F1017A00	386	C8F004731100	372
C841A1011C00	388	C841F1017A00	388	C8F004731100	380
C841A1011C00	390	C841F1017A00	390	C8F004731100	382
C841C5003C00	252	C841F1023000	212	C8F004731100	386
C841C5004C00	252	C841M1017000	190	C8F004731100	388
C841C5005C00	252	C841M2010000	206	C8F004731100	390
C841C5006B00	252	C841M2060000	206	C8F179602600	354
C841C5013B00	252	C841P0513A00	202	C8F179602600	364
C841C5015C00	252	C84223725600	100	C8F179602600	366
C841C5017B00	252	C84223725600	104	C8F179602600	370
C841C5019000	252	C847B1014000	212	C8F179602600	378
C841F1016A00	318	C847C11100	428	C8F179602600	384
C841F1016A00	324	C847C11110	428	C8F179602600	392
C841F1016A00	326	C8D922552000	190	C8F179602600	398
C841F1016A00	328	C8F004716400	318	C8F853602700	188
C841F1016A00	330	C8F004716400	324	C8F853603700	354
C841F1016A00	332	C8F004716400	326	C8F853603700	364
C841F1016A00	338	C8F004716400	328	C8F853603700	366
C841F1016A00	340	C8F004716400	330	C8F853603700	370
C841F1016A00	342	C8F004716400	332	C8F853603700	378
C841F1016A00	344	C8F004716400	338	C8F853603700	384
C841F1016A00	346	C8F004716400	340	C8F853603700	392
C841F1016A00	348	C8F004716400	342	C8F853603700	398
C841F1016A00	350	C8F004716400	344	C8F853603900	354
C841F1016A00	352	C8F004716400	346	C8F853603900	364
C841F1016A00	356	C8F004716400	348	C8F853603900	366
C841F1016A00	358	C8F004716400	350	C8F853603900	370
C841F1016A00	360	C8F004716400	352	C8F853603900	378
C841F1016A00	362	C8F004716400	356	C8F853603900	384
C841F1016A00	368	C8F004716400	358	C8F853603900	392
C841F1016A00	372	C8F004716400	360	C8F853603900	398
C841F1016A00	380	C8F004716400	362	C8F853604000	354
C841F1016A00	382	C8F004716400	368	C8F853604000	364
C841F1016A00	386	C8F004716400	372	C8F853604000	366
C841F1016A00	388	C8F004716400	380	C8F853604000	370
C841F1016A00	390	C8F004716400	382	C8F853604000	378
C841F1017A00	318	C8F004716400	386	C8F853604000	384



PART NO.	PAGE NO.	PART NO.	PAGE NO.	PART NO.	PAGE NO.
C8F853604000	392	C8PP10062000	314	C8T010102210	188
C8F853604000	398	C8PP10066000	314	C8T010102210	190
C8F952803000	252	C8PP10067000	314	C8T050300090	188
C8F952803800	252	C8PP10084000	198	C8T050300090	190
C8F952804000	252	C8PP10254000	164	C8T104100200	318
C8F952805200	252	C8PP10259000	314	C8T104100200	324
C8F952812200	252	C8PP10284000	354	C8T104100200	326
C8G335212380	96	C8PP10284000	364	C8T104100200	328
C8G925973820	336	C8PP10284000	366	C8T104100200	330
C8G925973820	374	C8PP10284000	370	C8T104100200	332
C8G925973820	376	C8PP10284000	378	C8T104100200	338
C8G925973820	394	C8PP10284000	384	C8T104100200	340
C8G925973820	396	C8PP10284000	392	C8T104100200	342
C8G956010010	190	C8PP10284000	398	C8T104100200	344
C8G956010020	98	C8PP10385000	206	C8T104100200	346
C8G956010020	102	C8PP10385000	208	C8T104100200	348
C8G956010020	188	C8PP1044100	428	C8T104100200	350
C8G956010020	190	C8PP10529000	252	C8T104100200	352
C8G956010050	206	C8PP10532000	252	C8T104100200	356
C8G956010050	208	C8PP10533000	252	C8T104100200	358
C8G956010070	100	C8PP10534000	252	C8T104100200	360
C8G956010070	104	C8PP10562000	204	C8T104100200	362
C8G956010080	190	C8PP10674000	210	C8T104100200	368
C8HA12121140	276	C8PP10716000	260	C8T104100200	372
C8HA12121140	278	C8PP10786000	336	C8T104100200	380
C8HA12121140	280	C8PP10786000	374	C8T104100200	382
C8HA12121140	282	C8PP10786000	376	C8T104100200	386
C8INH05F2000	224	C8PP10786000	394	C8T104100200	388
C8M004110700	400	C8PP10786000	396	C8T104100200	390
C8M105402600	252	C8PP10796000	252	C8T111703700	354
C8M105402700	252	C8PP10811000	252	C8T111703700	364
C8M105402800	252	C8PP10827000	224	C8T111703700	366
C8M105402900	252	C8PP10894000	334	C8T111703700	370
C8M105403000	252	C8PP10965000	230	C8T111703700	378
C8M105403300	252	C8PP10989000	322	C8T111703700	384
C8M105403400	252	C8PP11279000	226	C8T111703700	392
C8M893005000	224	C8PP11293000	236	C8T111703700	398
C8MNG0601000	198	C8PP11530000	336	C8T540000170	188
C8MNG1000100	224	C8PP11530000	374	C8T540000180	188
C8MSC08C2050	224	C8PP11530000	376	C8T552502900	210
C8MSH06C2030	198	C8PP11530000	394	C8T800011900	210
C8MSK06C2030	188	C8PP11530000	396	C8V051715000	354
C8MWP1200000	178	C8PP11633000	190	C8V051715000	364
C8MWS0600000	198	C8PP11691000	98	C8V051715000	366
C8N221214400	198	C8PP11691000	102	C8V051715000	370
C8P051151000	318	C8PP11731000	336	C8V051715000	378
C8P051151000	324	C8PP11731000	374	C8V051715000	384
C8P051151000	326	C8PP11731000	376	C8V051715000	392
C8P051151000	328	C8PP11731000	394	C8V051715000	398
C8P051151000	330	C8PP11731000	396	C8V052630100	198
C8P051151000	332	C8PP11745000	252	C8V054790100	188
C8P051151000	334	C8PP11750000	314	C8V054790100	190
C8P051151000	336	C8PP11881000	226	C8V121100810	96
C8P051151000	374	C8PP11882000	226	C8V121280200	212
C8P051151000	376	C8PP11901000	178	C8V121901300	252
C8P051151000	394	C8PP11901000	198	C8V121903000	252
C8P051151000	396	C8PP11902000	178	C8V124301900	354
C8PP10051000	314	C8PP11902000	198	C8V124301900	364



PART NO.	PAGE NO.	PART NO.	PAGE NO.	PART NO.	PAGE NO.
C8V124301900	366	C8V194387500	356	C9100044	102
C8V124301900	370	C8V194387500	358	C9100044	194
C8V124301900	378	C8V194387500	360	C9100044	206
C8V124301900	384	C8V194387500	362	C9100044	212
C8V124301900	392	C8V194387500	368	C9100044	226
C8V124301900	398	C8V194387500	372	C9100044	238
C8V171700600	354	C8V194387500	380	C9100044	252
C8V184500600	236	C8V194387500	382	C9100044	256
C8V184503000	236	C8V194387500	386	C9100044	260
C8V1916007000	216	C8V194387500	388	C9100044	336
C8V1916007000	218	C8V194387500	390	C9100044	374
C8V194309200	354	C8V194510920	236	C9100044	376
C8V194309200	364	C8V194901300	252	C9100044	394
C8V194309200	366	C8V194902500	252	C9100044	396
C8V194309200	370	C8V194902800	252	C9100044	412
C8V194309200	378	C8V194904500	252	C9100044	414
C8V194309200	384	C8V194904500	336	C9100044	416
C8V194309200	392	C8V194904500	374	C9100046	188
C8V194309200	398	C8V194904500	376	C9100046	190
C8V194310400	318	C8V194904500	394	C9100046	202
C8V194310400	324	C8V194904500	396	C9100046	204
C8V194310400	326	C8X00M0211G0	260	C9100046	212
C8V194310400	328	C8X00M0503J0	268	C9100046	216
C8V194310400	330	C8X16M1013B0	260	C9100046	218
C8V194310400	332	C8X16M1014B0	260	C9100046	224
C8V194310400	338	C8X16M2010F0	260	C9100046	236
C8V194310400	340	C8X2214009	412	C9100046	252
C8V194310400	342	C8X2214009A0	226	C9100046	314
C8V194310400	344	C8X222202200	202	C9100046	318
C8V194310400	346	C8X223200100	268	C9100046	324
C8V194310400	348	C8X223200200	268	C9100046	326
C8V194310400	350	C8X223200500	260	C9100046	328
C8V194310400	352	C8X223400300	190	C9100046	330
C8V194310400	356	C8X223400800	190	C9100046	332
C8V194310400	358	C8X223400800	190	C9100046	334
C8V194310400	360	C8X2240006000	178	C9100046	336
C8V194310400	362	C8XMP0304C0	202	C9100046	338
C8V194310400	368	C9100040	156	C9100046	340
C8V194310400	372	C9100040	164	C9100046	342
C8V194310400	380	C9100040	212	C9100046	344
C8V194310400	382	C9100040	216	C9100046	346
C8V194310400	386	C9100040	218	C9100046	348
C8V194310400	388	C9100040	224	C9100046	350
C8V194310400	390	C9100040	238	C9100046	352
C8V194387500	318	C9100040	256	C9100046	356
C8V194387500	324	C9100040	336	C9100046	358
C8V194387500	326	C9100040	374	C9100046	360
C8V194387500	328	C9100040	376	C9100046	362
C8V194387500	330	C9100040	394	C9100046	368
C8V194387500	332	C9100040	396	C9100046	372
C8V194387500	338	C9100040	412	C9100046	374
C8V194387500	340	C9100040	412	C9100046	376
C8V194387500	342	C9100040	414	C9100046	380
C8V194387500	344	C9100040	416	C9100046	382
C8V194387500	346	C9100041	96	C9100046	386
C8V194387500	348	C9100041	164	C9100046	388
C8V194387500	350	C9100041	412	C9100046	390
C8V194387500	352	C9100044	98	C9100046	394



PART NO.	PAGE NO.	PART NO.	PAGE NO.	PART NO.	PAGE NO.
C9100046	396	C9100062	396	C9100077	422
C9100047	212	C9100063	116	C9100078	374
C9100048	412	C9100063	118	C9100078	376
C9100052	188	C9100068	202	C9100078	394
C9100052	190	C9100068	212	C9100078	396
C9100052	202	C9100068	224	C9100078	438
C9100052	204	C9100068	236	C9100078	440
C9100052	212	C9100068	252	C9100078	442
C9100059	96	C9100068	314	C9100079	230
C9100059	216	C9100068	318	C9100081	226
C9100059	218	C9100068	324	C9100081	236
C9100059	236	C9100068	326	C9100085	422
C9100059	260	C9100068	328	C9100085	438
C9100059	374	C9100068	330	C9100085	440
C9100059	376	C9100068	332	C9100085	442
C9100059	394	C9100068	334	C9100088	216
C9100059	396	C9100068	336	C9100088	218
C9100059	428	C9100068	374	C9100088	236
C9100060	178	C9100068	376	C9100088	260
C9100060	374	C9100068	394	C9100088	428
C9100060	376	C9100068	396	C9100092	188
C9100060	394	C9100073	188	C9100092	190
C9100060	396	C9100073	216	C9100092	298
C9100060	428	C9100073	218	C9100094	174
C9100061	204	C9100073	230	C9100094	176
C9100062	194	C9100073	354	C9100094	180
C9100062	202	C9100073	364	C9100094	188
C9100062	204	C9100073	366	C9100095	336
C9100062	212	C9100073	370	C9100095	374
C9100062	216	C9100073	378	C9100095	376
C9100062	218	C9100073	384	C9100095	394
C9100062	236	C9100073	392	C9100095	396
C9100062	252	C9100073	398	C9100101	118
C9100062	314	C9100074	354	C9100106	188
C9100062	334	C9100074	438	C9100106	190
C9100062	336	C9100074	440	C9100106	298
C9100062	338	C9100074	442	C9100107	96
C9100062	340	C9100076	168	C9100107	256
C9100062	342	C9100076	172	C9100109	230
C9100062	344	C9100076	194	C9100134	188
C9100062	346	C9100076	206	C9100134	204
C9100062	348	C9100076	208	C9100134	438
C9100062	350	C9100076	216	C9100134	440
C9100062	352	C9100076	218	C9100134	442
C9100062	356	C9100076	226	C9100150	100
C9100062	358	C9100076	336	C9100150	104
C9100062	360	C9100076	374	C9100150	164
C9100062	362	C9100076	376	C9100150	178
C9100062	368	C9100076	394	C9100150	180
C9100062	372	C9100076	396	C9100150	188
C9100062	374	C9100076	412	C9100150	190
C9100062	376	C9100076	414	C9100150	216
C9100062	380	C9100076	416	C9100150	218
C9100062	382	C9100077	204	C9100150	226
C9100062	386	C9100077	374	C9100150	252
C9100062	388	C9100077	376	C9100150	334
C9100062	390	C9100077	394	C9100150	336
C9100062	394	C9100077	396	C9100150	354



PART NO.	PAGE NO.	PART NO.	PAGE NO.	PART NO.	PAGE NO.
C9100150	364	C9100171	374	C9100274	396
C9100150	366	C9100171	376	C9100275	216
C9100150	370	C9100171	394	C9100275	218
C9100150	374	C9100171	396	C9100278	100
C9100150	376	C9100175	156	C9100278	104
C9100150	378	C9100175	158	C9100279	236
C9100150	384	C9100176	190	C9100281	98
C9100150	392	C9100179	226	C9100281	102
C9100150	394	C9100185	236	C9100284	190
C9100150	396	C9100185	260	C9100288	298
C9100150	398	C9100185	428	C9100307	100
C9100150	422	C9100189	116	C9100307	104
C9100150	426	C9100189	156	C9100307	204
C9100150	438	C9100189	158	C9100307	216
C9100150	438	C9100190	112	C9100307	218
C9100150	440	C9100190	236	C9100312	224
C9100150	440	C9100192	412	C9100318	236
C9100150	442	C9100207	318	C9100325	236
C9100150	442	C9100207	324	C9100341	204
C9100153	238	C9100207	326	C9100341	364
C9100158	236	C9100207	328	C9100341	366
C9100166	194	C9100207	330	C9100341	370
C9100166	202	C9100207	332	C9100341	374
C9100166	216	C9100212	314	C9100341	376
C9100166	218	C9100215	216	C9100341	378
C9100166	224	C9100215	218	C9100341	384
C9100166	252	C9100220	206	C9100341	392
C9100167	334	C9100230	178	C9100341	394
C9100167	336	C9100243	188	C9100341	396
C9100167	338	C9100251	230	C9100341	398
C9100167	340	C9100260	156	C9100341	422
C9100167	342	C9100260	158	C9100341	438
C9100167	344	C9100265	100	C9100341	440
C9100167	346	C9100265	104	C9100341	442
C9100167	348	C9100265	224	C9100342	164
C9100167	350	C9100266	212	C9100342	216
C9100167	352	C9100266	226	C9100342	218
C9100167	356	C9100266	336	C9100342	226
C9100167	358	C9100266	374	C9100342	252
C9100167	360	C9100266	376	C9100342	334
C9100167	362	C9100266	394	C9100342	336
C9100167	368	C9100266	396	C9100342	354
C9100167	372	C9100267	98	C9100342	364
C9100167	374	C9100267	102	C9100342	366
C9100167	376	C9100267	156	C9100342	370
C9100167	380	C9100267	164	C9100342	374
C9100167	382	C9100267	252	C9100342	376
C9100167	386	C9100267	256	C9100342	378
C9100167	388	C9100267	260	C9100342	384
C9100167	390	C9100267	412	C9100342	392
C9100167	394	C9100269	100	C9100342	394
C9100167	396	C9100269	104	C9100342	396
C9100168	116	C9100269	194	C9100342	398
C9100168	156	C9100269	414	C9100342	422
C9100168	158	C9100269	416	C9100348	178
C9100171	236	C9100274	374	C9100352	96
C9100171	334	C9100274	376	C9100422	118
C9100171	336	C9100274	394	C9100423	268



PART NO.	PAGE NO.	PART NO.	PAGE NO.	PART NO.	PAGE NO.
C9100440	236	C9100768	194	PP115580.39	284
C9100444	422	C9100974	96	PP115580.40	284
C9100445	100	C9101175	422	PP115580.41	284
C9100445	104	C9101192	212	PP115580.42	284
C9100445	188	C9101222	112	PP115580.43	284
C9100445	190	C9101257	116	PP115580.44	284
C9100445	334	C9101344	100	PP115580.45	284
C9100445	336	C9101344	104	PP115580.46	284
C9100445	364	C9101345	100	PP115580.47	284
C9100445	366	C9101345	104	PP115580.48	284
C9100445	370	C9101357	100	PP115580.49	284
C9100445	374	C9101357	104	PP115580.50	284
C9100445	376	C9101425	238	PP115580.51	284
C9100445	378	CV16.22.017.0	224	PP115580.52	284
C9100445	384	D50	292	PP115580.53	284
C9100445	392	HFE-20-025	190	PP115580.54	284
C9100445	394	N6.12.1.5	248	PP115580.55	284
C9100445	396	N6.14X1.75	248	PP115580.56	284
C9100445	398	PP115580.01	286	PP115580.57	284
C9100445	426	PP115580.02	286	PP115580.58	284
C9100445	438	PP115580.03	286	PP115580.59	284
C9100445	440	PP115580.04	286	PP115580.60	284
C9100445	442	PP115580.05	286	PP115580.61	284
C9100447	178	PP115580.06	286	SDK.2366.000	270
C9100447	216	PP115580.07	286	SDY.2362.000	262
C9100447	218	PP115580.08	286	SDY.2375.000	266
C9100455	364	PP115580.09	286	SDY.2444.000	272
C9100455	366	PP115580.10	286	SF4CK300000	302
C9100455	370	PP115580.11	286	SF4CK300000	304
C9100455	378	PP115580.12	286	SPY.21.21.000	310
C9100455	384	PP115580.13	286	SSY-2276.000	292
C9100455	392	PP115580.14	286	SSY-2277.000	292
C9100455	398	PP115580.15	286	V16.69.002.0	234
C9100460	188	PP115580.16	286	V16.69.214.0	232
C9100460	364	PP115580.17	286	V16.69.004	232
C9100460	366	PP115580.18	286	V16.69.009.0	232
C9100460	370	PP115580.19	286	V16.69.088.0	232
C9100460	378	PP115580.20	286	V16.69.088.0	234
C9100460	384	PP115580.21	286	V18.52.002.0A	232
C9100460	392	PP115580.22	286	V19.45.186.0/03	274
C9100460	398	PP115580.23	286	V19258010	114
C9100486	164	PP115580.24	286	V19258020	114
C9100496	178	PP115580.25	286	V19-26-190-1	166
C9100508	178	PP115580.26	286	V19-26-190-1	170
C9100561	98	PP115580.27	286	V22.22.039	168
C9100561	102	PP115580.28	286	V22.22.039	172
C9100568	96	PP115580.29	286	V22.77.018.0	120
C9100569	96	PP115580.30	286	V22.77.020.0	120
C9100600	210	PP115580.31	284	V22.79.005.0	118
C9100616	112	PP115580.31	286	V-22-56-70-700	166
C9100617	112	PP115580.32	286	V-22-56-70-700	170
C9100719	216	PP115580.33	286	V-22-56-70-700	172
C9100719	218	PP115580.34	286	V23.27.259.0A	166
C9100734	100	PP115580.35	286	V23.27.259.0A	170
C9100734	104	PP115580.36	286	W2.10	248
C9100736	216	PP115580.37	284	W2.12	248
C9100736	218	PP115580.37	284	W2.14	248
C9100746	230	PP115580.37	284	X005421200	302



PART NO.	PAGE NO.	PART NO.	PAGE NO.	PART NO.	PAGE NO.
X005421200	304				
X006211352-H	302				
X006211352-H	304				



ESCORTS LTD. - CONSTRUCTION EQUIPMENT

Plot no. 219, Sec-58, Ballabgarh, Distt. Faridabad- 121 004, India

Toll Free.: 1800 1804488

Website: www.escortsece.com